

AQUA-H-CE

90° Corner Element for AQUA-H

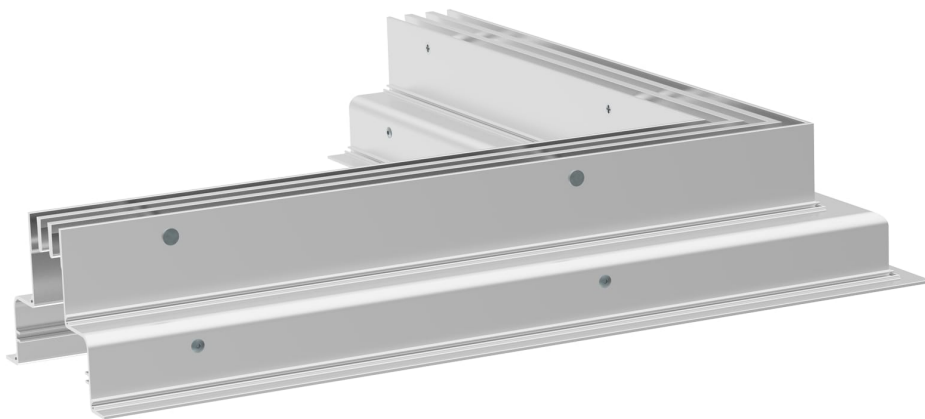


Table of Contents

Description	3
Dimensions & Weights	5
Ordering Codes	7
Installation	8
Transport, Storage and Operation	14
Supplement	15

Description

AQUA-H-CE is a corner element for the AQUA-H slot diffuser. The product is installed into the floor. The product is intended for air supply in ventilation systems for swimming pools and wet spaces with large windows or glass walls. The product cannot be combined with a plenum box.

Highlights

- Modern slim and compact design
- Low noise at sufficiently high air discharge velocity
- Robust design enables walking on the installed diffuser

Types of Product

- **AQUA-H-CE...DC:** Corner element with duct connectors ⁽¹⁾
- **AQUA-H-CE...BP:** Corner element with blanking plates ⁽²⁾

List of Accessories

- **EC-AQUA-H:** End Cap ⁽³⁾
- **CP-HELLA:** Connecting Pins ⁽⁴⁾

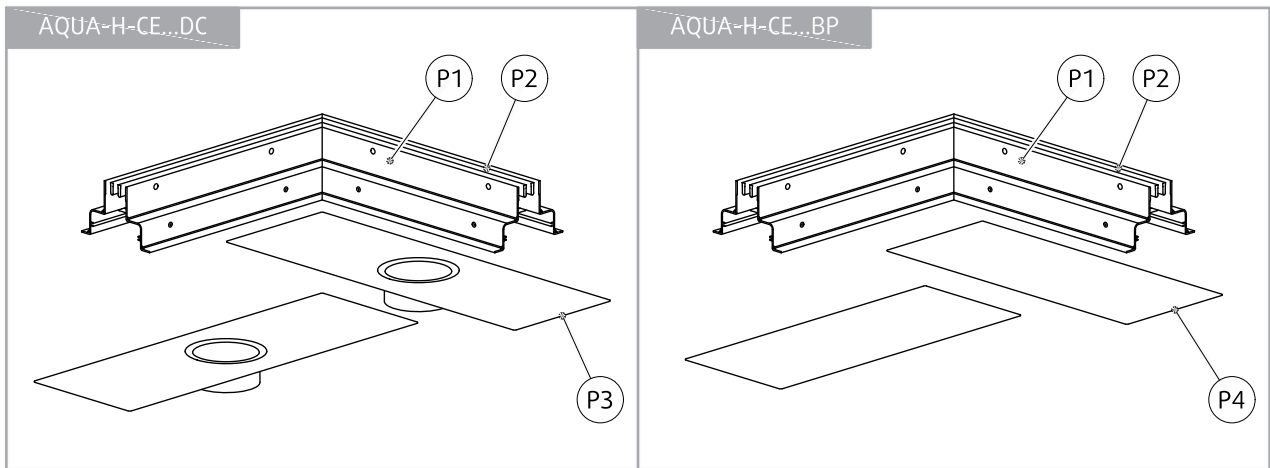
Notes:

- 1) Includes 2x DC-AQUA-H, can be used as a functional element for air supply
- 2) Includes 2x BP-AQUA-H for covering the diffuser console
- 3) EC-AQUA-H is only installed at the ends of a diffuser array. For one array, only two EC-AQUA-H are needed
- 4) CP-HELLA come in a package of 50 pieces

Design

AQUA-H-CE is manufactured from aluminium profiles and stainless steel thread bolts. The product consists of a pressure-equalizing console and vertical air discharge slots. The console is open on the bottom. The consoles can be connected into a multiple-segment array by connecting pins (accessory CP-HELLA). The product is provided with 90° angle as standard. Custom angles are available on request. The product is provided with a natural anodized surface finish.

Product Parts



Legend AQUA-H-CE...DC/BP

- P1 - Console
- P2 - Slot dividing profile
- P3 - Duct Connector
- P4 - Blanking Plate

Dimensions & Weights

AQUA-H-CE-1...	<p>W = 8/10/12</p> <p>90</p> <p>108/110/112</p> <p>392/390/388</p> <p>L = 500</p>	(mm)
AQUA-H-CE-2...	<p>22/26/30</p> <p>W = 8/10/12</p> <p>90</p> <p>122/126/130</p> <p>378/374/370</p> <p>L = 500</p>	(mm)
AQUA-H-CE-3...	<p>36/42/48</p> <p>W = 8/10/12</p> <p>90</p> <p>136/142/148</p> <p>364/358/352</p> <p>L = 500</p>	(mm)
AQUA-H-CE-4...	<p>49/57/65</p> <p>W = 8/10/12</p> <p>90</p> <p>149/157/165</p> <p>351/343/335</p> <p>L = 500</p>	(mm)
AQUA-H-CE-5...	<p>63/73/83</p> <p>W = 8/10/12</p> <p>90</p> <p>163/173/183</p> <p>337/327/317</p> <p>L = 500</p>	(mm)
AQUA-H-CE-6...	<p>76/88/100</p> <p>W = 8/10/12</p> <p>90</p> <p>176/188/200</p> <p>324/312/300</p> <p>L = 500</p>	(mm)

m (kg)	W (mm)		
	8	10	12
AQUA-H-CE-1...DC	3,8	3,8	3,8
AQUA-H-CE-2...DC	4,0	4,0	4,0
AQUA-H-CE-3...DC	4,1	4,1	4,1
AQUA-H-CE-4...DC	4,2	4,2	4,2
AQUA-H-CE-5...DC	4,4	4,4	4,4
AQUA-H-CE-6...DC	4,5	4,5	4,5
AQUA-H-CE-1...BP	3,5	3,5	3,5
AQUA-H-CE-2...BP	3,7	3,7	3,7
AQUA-H-CE-3...BP	3,8	3,8	3,8
AQUA-H-CE-4...BP	3,9	3,9	3,9
AQUA-H-CE-5...BP	4,1	4,1	4,1
AQUA-H-CE-6...BP	4,2	4,2	4,2

Ordering Code

AQUA-H-CE-

Number of slots

- 1
- 2
- 3
- 4
- 5
- 6

Slot width (mm)

- 8
- 10
- 12

Diffuser console cover

DC Duct connector (2x DC-AQUA-H)

BP Blanking plate (2x BP-AQUA-H)

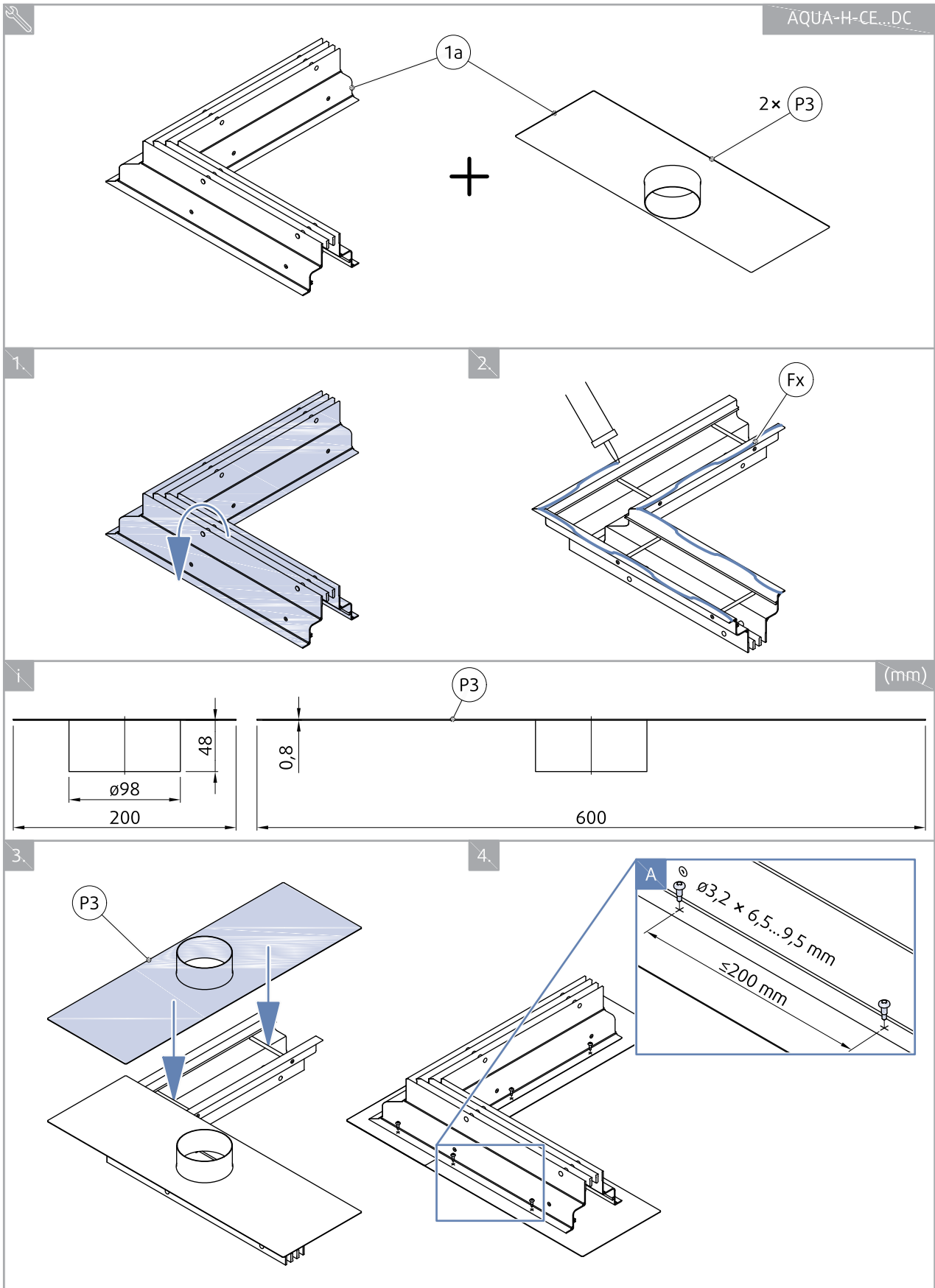
Example of the Ordering Code

AQUA-H-CE-3-10-DC

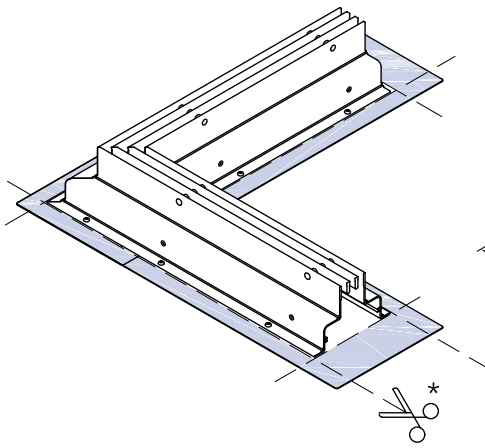
A linear diffuser corner element with three 10 mm wide slots and two duct connector plates (DC-AQUA-H)

Installation

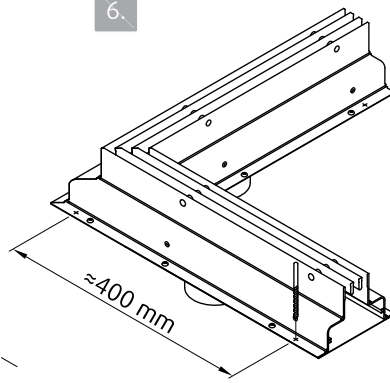
AQUA-H-CE...DC



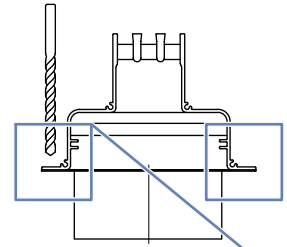
5.



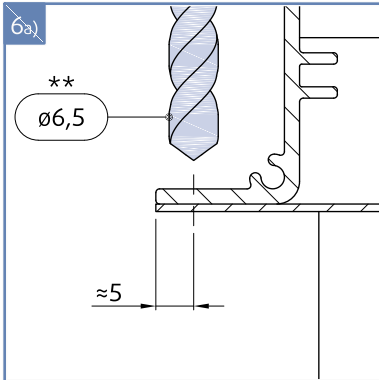
6.



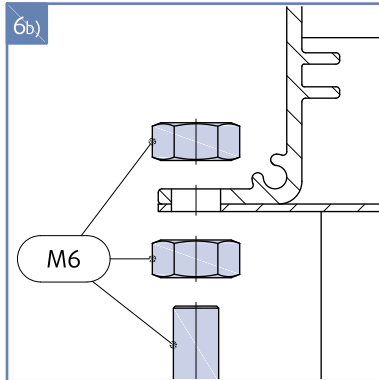
(mm)



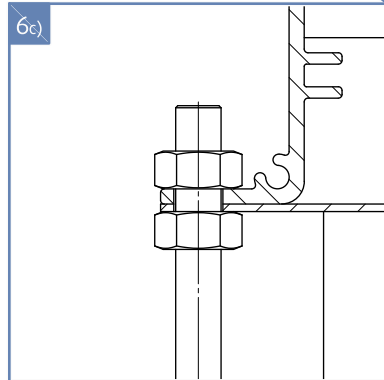
6a)



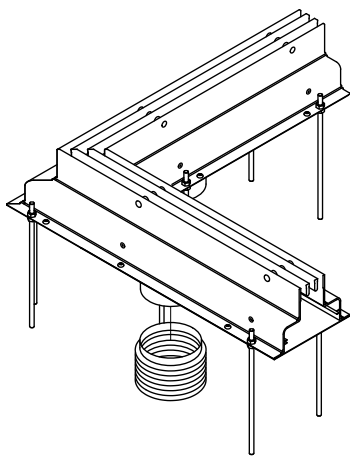
6b)



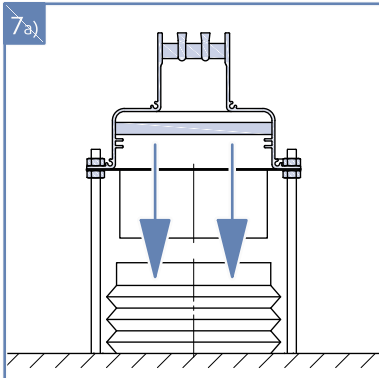
6c)



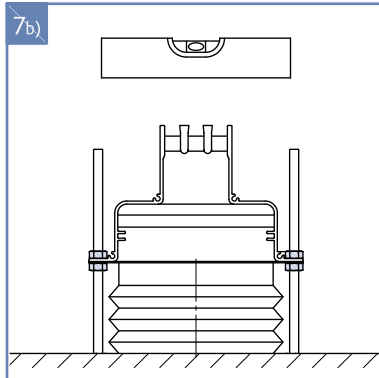
7.



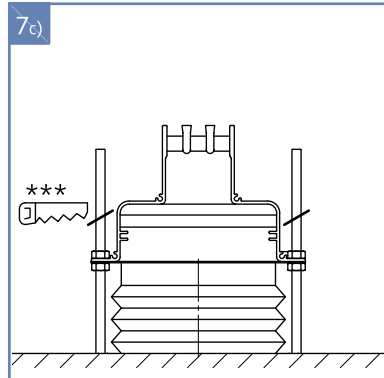
7a)



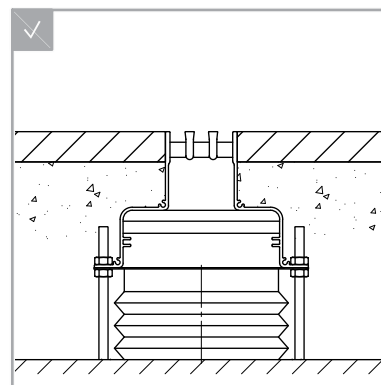
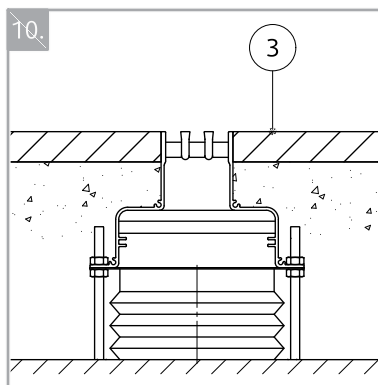
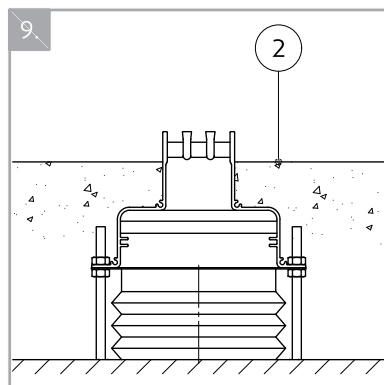
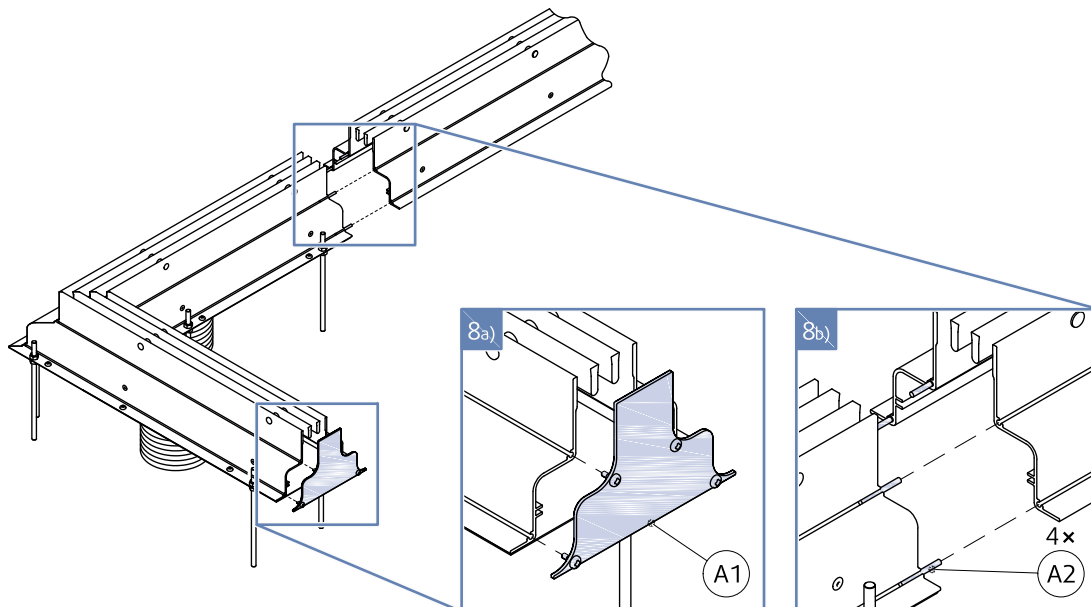
7b)



7c)



8.



Legend for installation AQUA-H-CE...DC

1a - AQUA-H-CE...DC

2 - Concrete

3 - Tiles

A1 - EC-AQUA, End Cap (accessory)

A2 - CP-HELLA, Connecting Pins (accessory)

P3 - Duct Connector

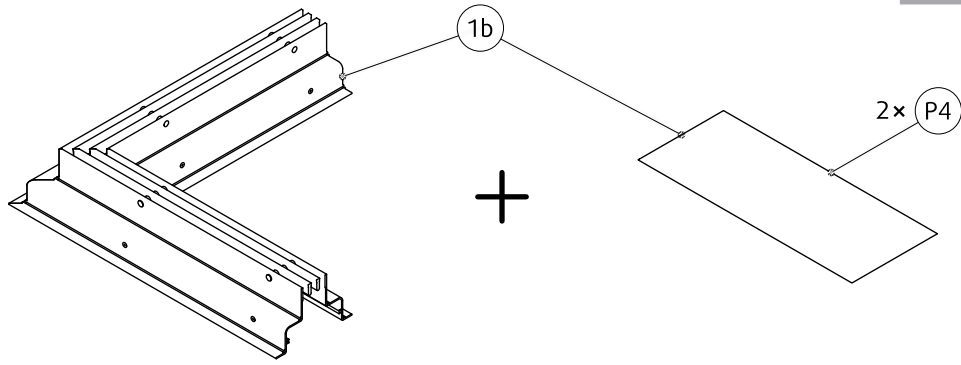
Fx - Polyurethane adhesive/sealant e.g. Sikaflex®-221 RLT

NOTE:

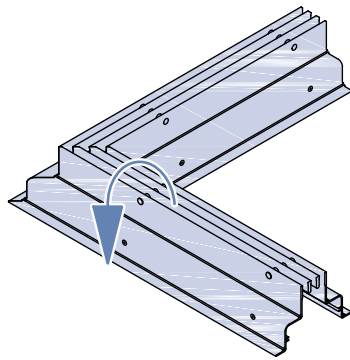
* Optional

** Use a drilling bit for stainless steel

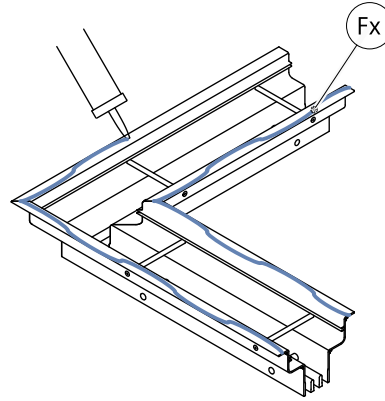
*** Optional



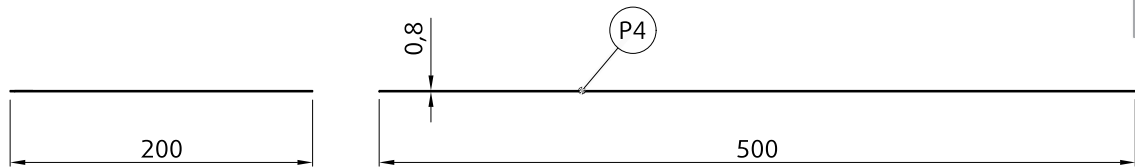
1.



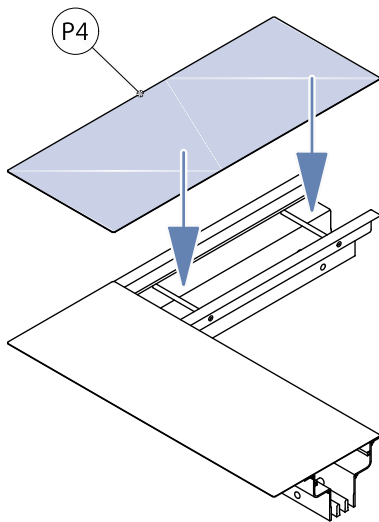
2.



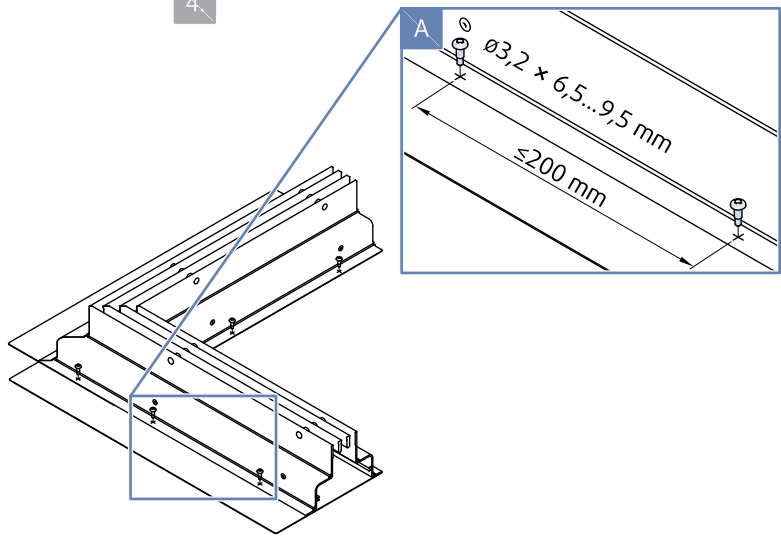
i.



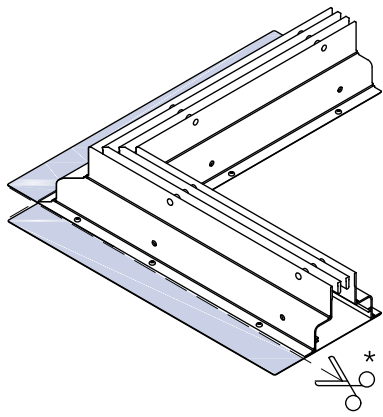
3.



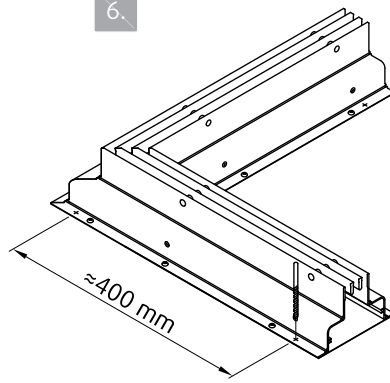
4.



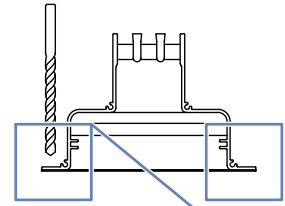
5.



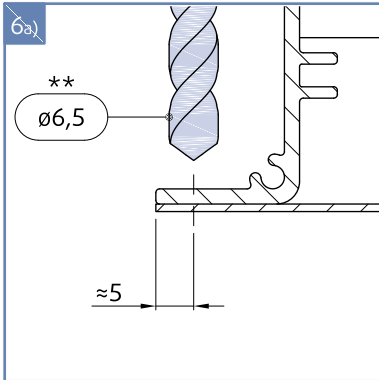
6.



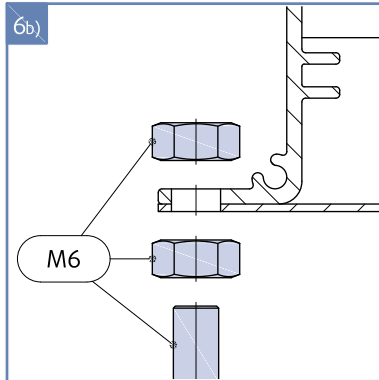
(mm)



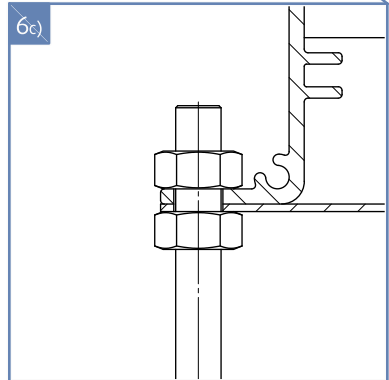
6a)



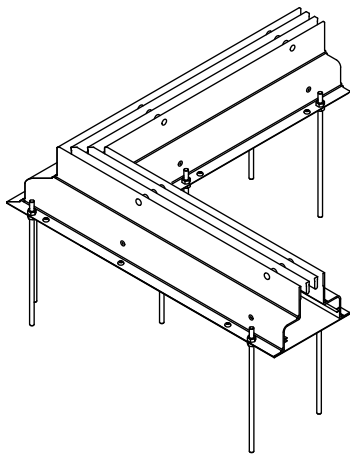
6b)



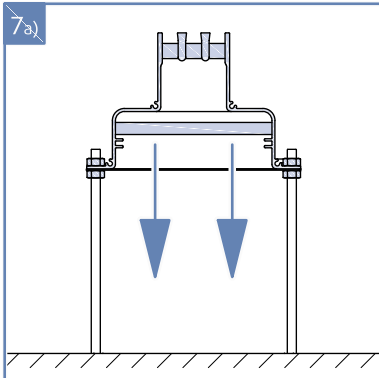
6c)



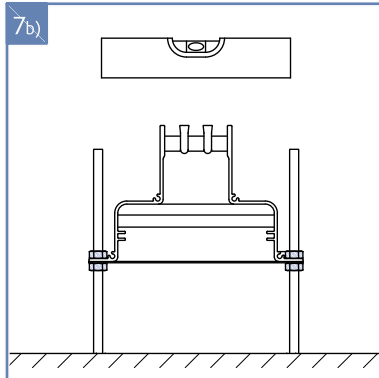
7.



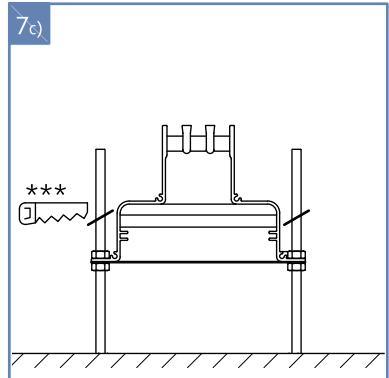
7a)



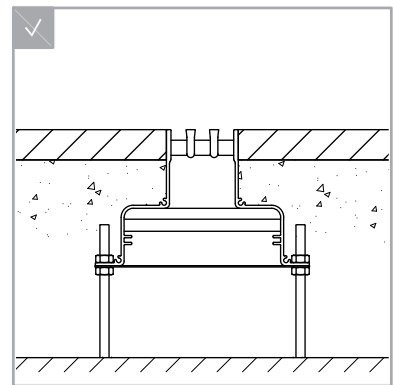
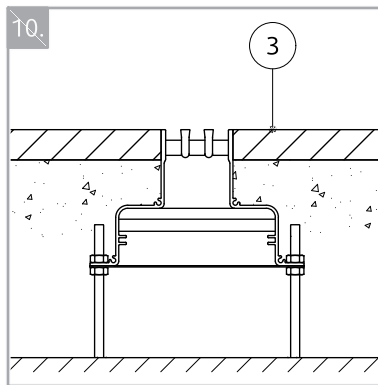
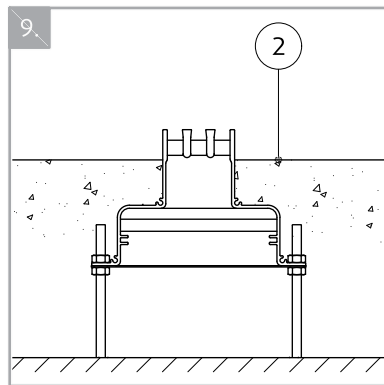
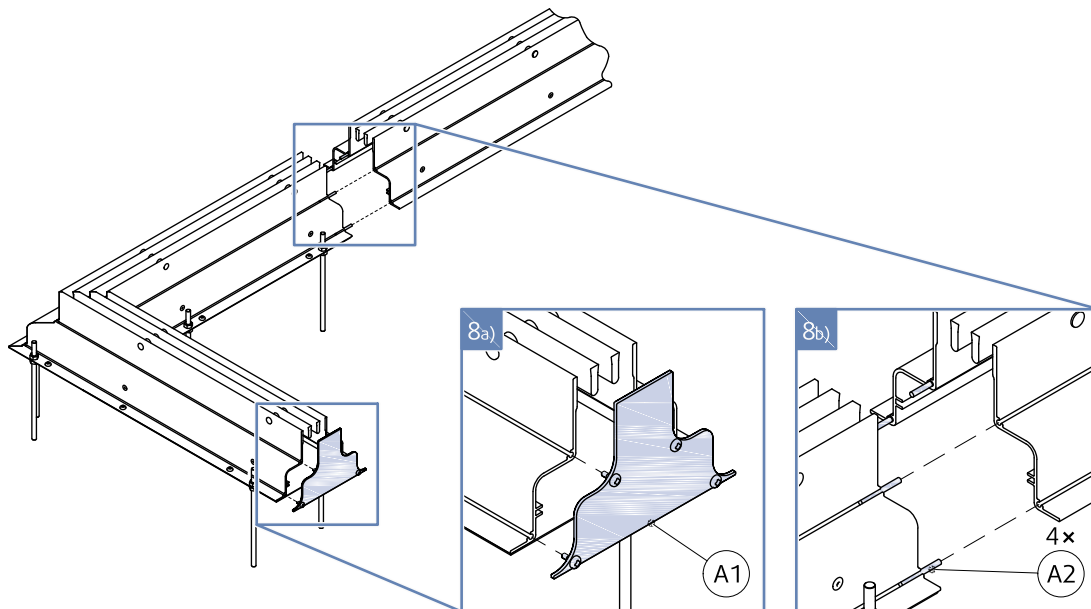
7b)



7c)



8.



Legend for installation AQUA-H-CE...BP

1b AQUA-H-CE...BP

2 Concrete

3 Tiles

A1 - EC-AQUA, End Cap (accessory)

A2 - CP-HELLA, Connecting Pins (accessory)

P4 - Blanking Plate

Fx - Polyurethane adhesive/sealant e.g. Sikaflex®-221 RLT

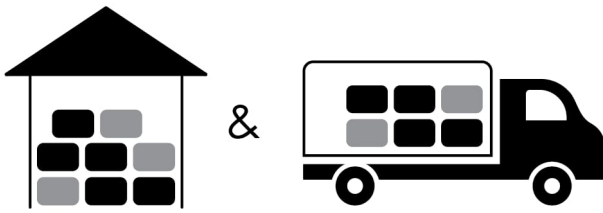
NOTE:


* Optional


** Use drilling bit for stainless steel

*** Optional


Transport, Storage and Operation




 °C -40 °C ... +50 °C

 % ≤ 95%



 °C -20 °C ... +70 °C

 % ≤ 95%

Supplement

Any deviations from the technical specifications contained herein and the terms should be discussed with the manufacturer. We reserve the right to make any changes to the product without prior notice, provided that these changes do not affect the quality of the product and the required parameters. Current information on all products is available on design.systemair.com.



Handbook_AQUA_H_CE_en-GB
design.systemair.com
www.systemair.com

© Copyright Systemair Production a.s
All rights reserved
E&OE

Systemair reserves the right to alter their products without notice.
This also applies to products already ordered, as long as it does not affect the previously agreed specifications.