

SPI

Iris Damper



Table of Contents

Description	3
Dimensions & Weights	5
Ordering Codes	6
Technical Parameters	7
Installation	10
Transport, Storage and Operation	12
Supplement	13



Description

SPI is an iris damper. The product is intended for measurement and adjustment of the air flow. The product is installed into circular ducts. The product can be used both for air supply and extract. The product is ideal for all applications, where a reliable, precise and cost effective air flow control is required.

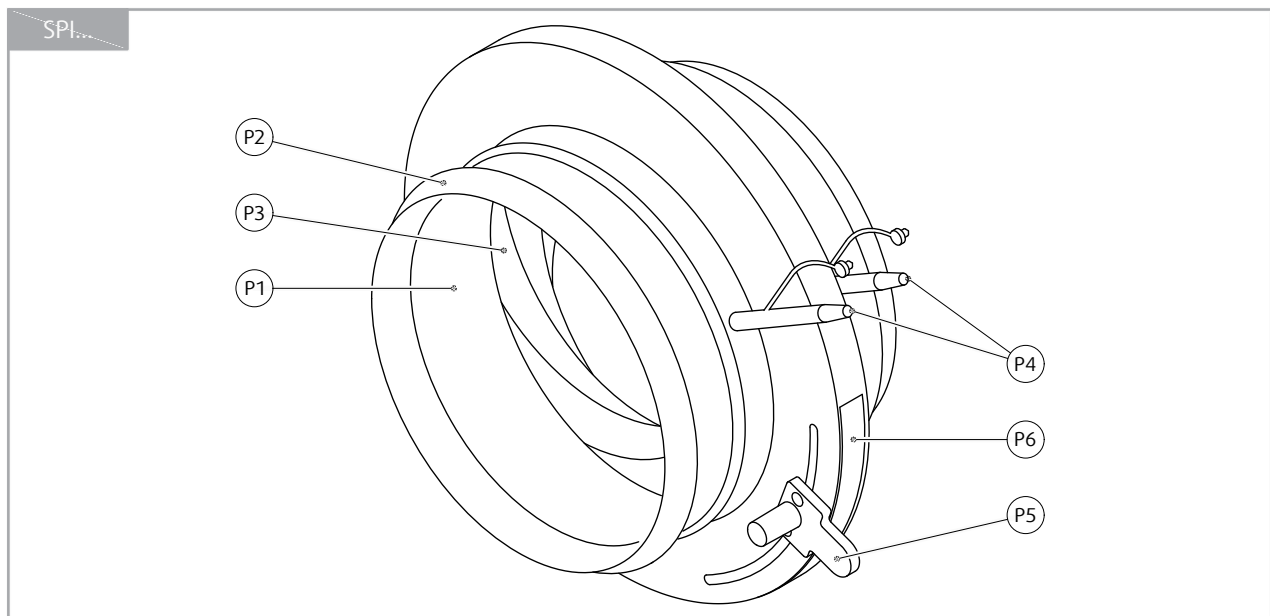
Highlights

- Low sound level
- Centrally formed air flow
- Fixed test points for precise measurements

Design

SPI is manufactured from galvanized steel. The product is fitted with a rubber gasket with air-tightness in class C according to EN 1751. The product has an adjustment aperture which can open the entire cross-section, so there is no access door required for cleaning.

Product parts



Legend:

P1 Casing

P2 Duct connection with gasket

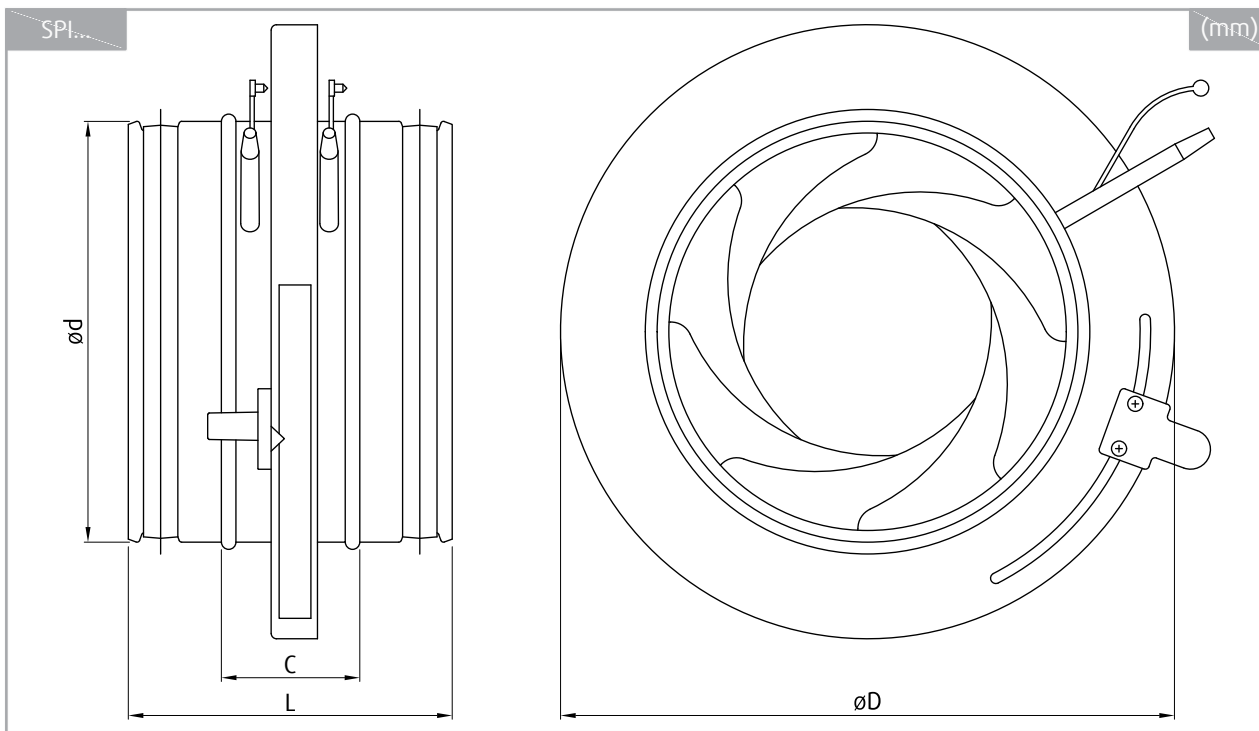
P3 Damper blades

P4 Measurement impulse tubes

P5 Setting device

P6 K-Factors label

Dimensions & Weights



DN	$\varnothing d$	C	$\varnothing D$	L	m
	mm				kg
80	79	54	134	135	0,6
100	99	49	163	125	0,8
125	124	49	210	125	1,2
150	149	50	230	125	1,5
160	159	59	230	135	1,5
200	199	58	285	135	2,1
250	249	90	333	165	2,8
300	299	90	405	165	3,7
315	314	90	406	165	3,7
400	399	90	560	220	7,6
500	499	80	644	220	8,6
630	629	80	811	220	12,7
800	798	65	1015	270	25,0

Ordering Codes

SPI

Size - inlet mm

80

100

125

150

160

200

250

300

315

400

500

630

800

Example of the Ordering Code

SPI-250 C Iris damper

SPI iris damper, inlet size 250 mm

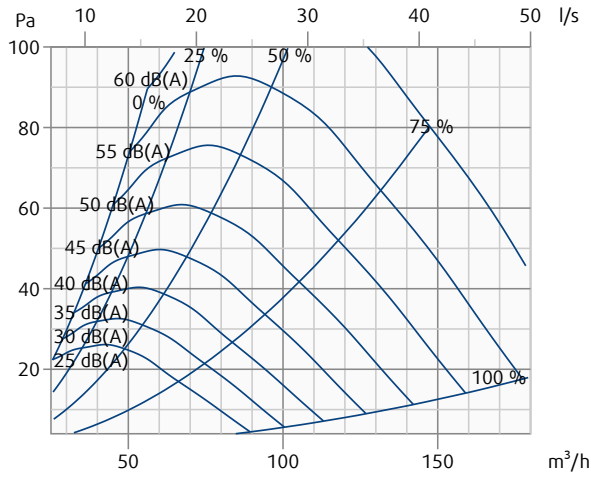
Technical Parameters

Legend

0%, 25%, 50%, 75%, 100% The iris positions are indicated in the pressure loss/noise diagrams in percent. 0% means maximum closed. 100% means completely open iris.

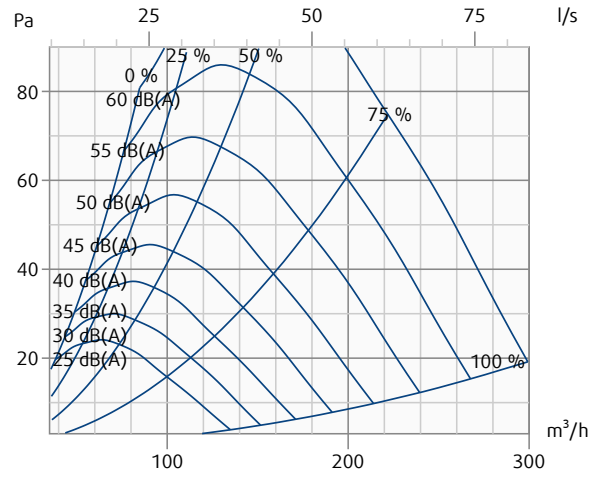
SPI-080 C Iris damper

Pressure drop & A-weighted sound power level in dB(A)



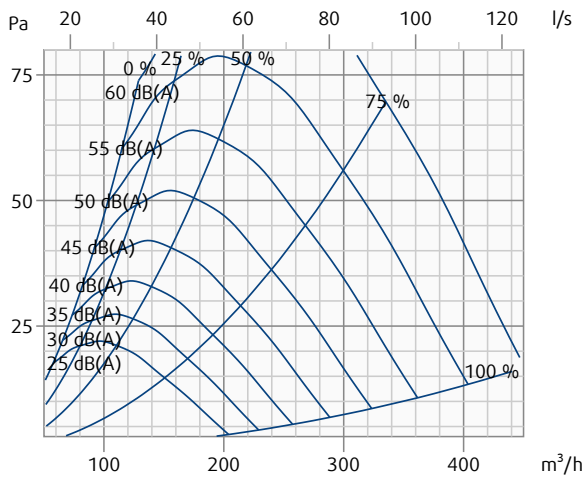
SPI-100 C Iris damper

Pressure drop & A-weighted sound power level in dB(A)



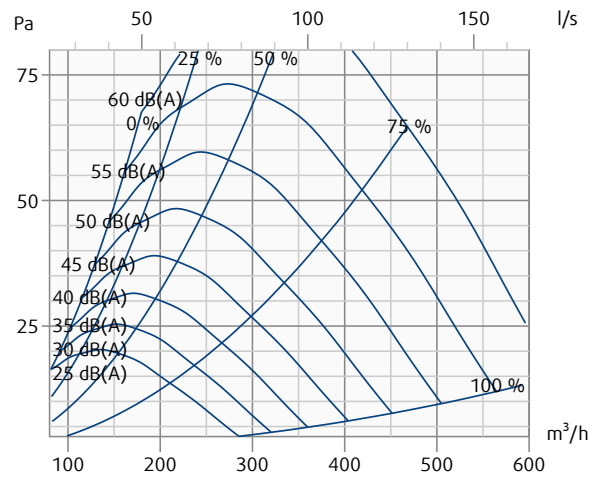
SPI-125 C Iris damper

Pressure drop & A-weighted sound power level in dB(A)



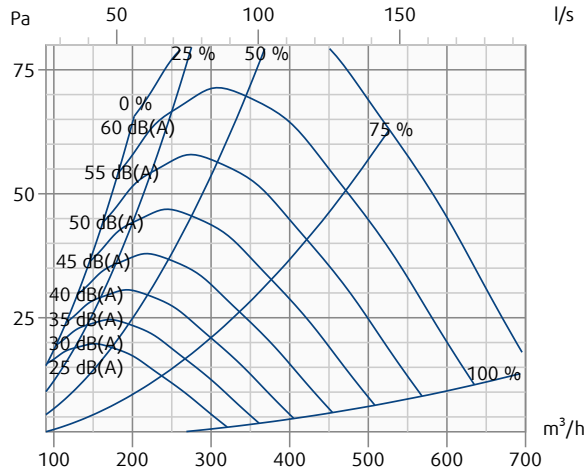
SPI-150 C Iris damper

Pressure drop & A-weighted sound power level in dB(A)



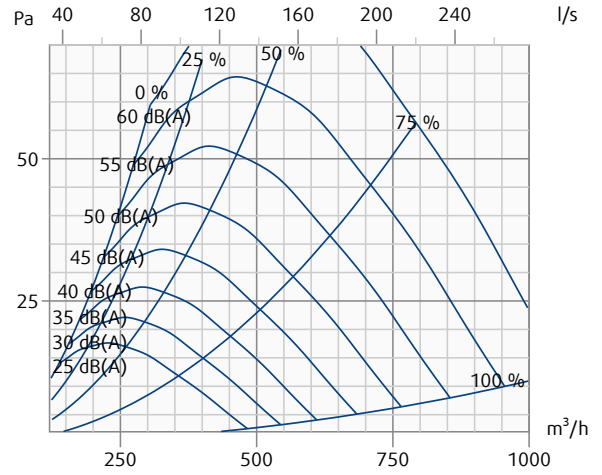
SPI-160 C Iris damper

Pressure drop & A-weighted sound power level in dB(A)



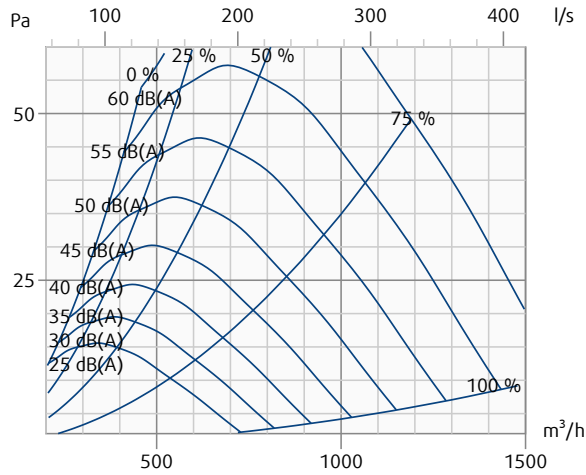
SPI-200 C Iris damper

Pressure drop & A-weighted sound power level in dB(A)



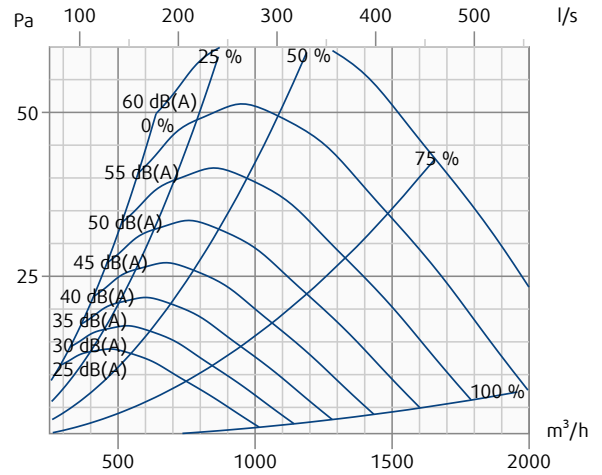
SPI-250 C Iris damper

Pressure drop & A-weighted sound power level in dB(A)



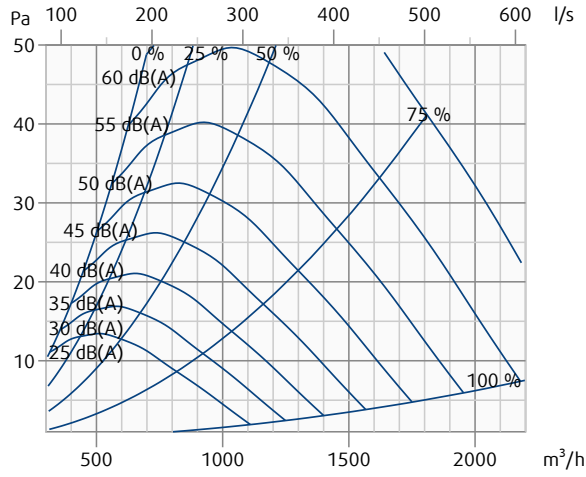
SPI-300 C Iris damper

Pressure drop & A-weighted sound power level in dB(A)



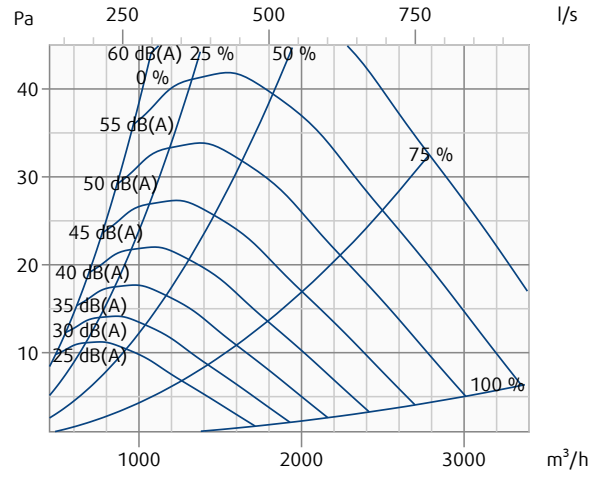
SPI-315 C Iris damper

Pressure drop & A-weighted sound power level in dB(A)



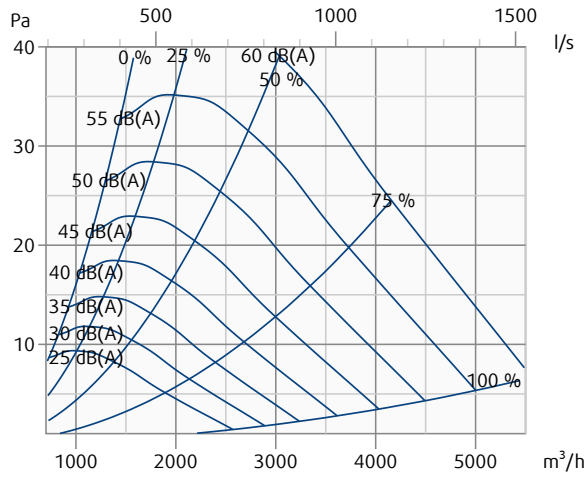
SPI-400 C Iris damper

Pressure drop & A-weighted sound power level in dB(A)



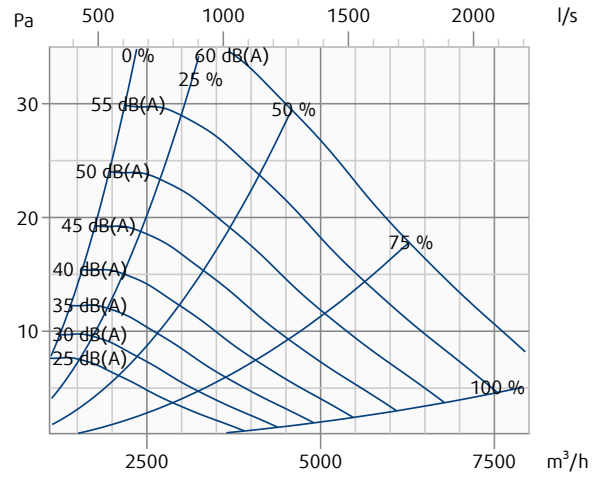
SPI-500 C Iris damper

Pressure drop & A-weighted sound power level in dB(A)



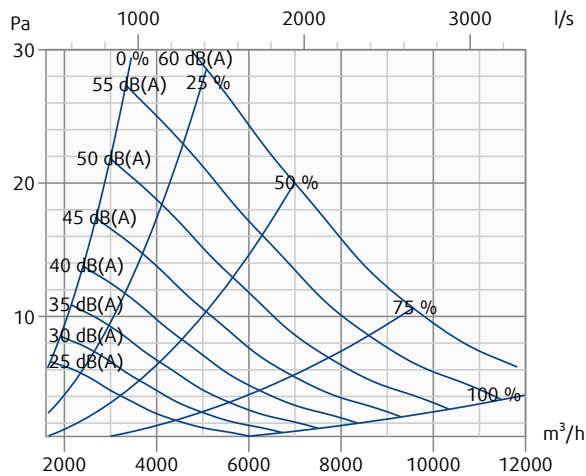
SPI-630 C Iris damper

Pressure drop & A-weighted sound power level in dB(A)

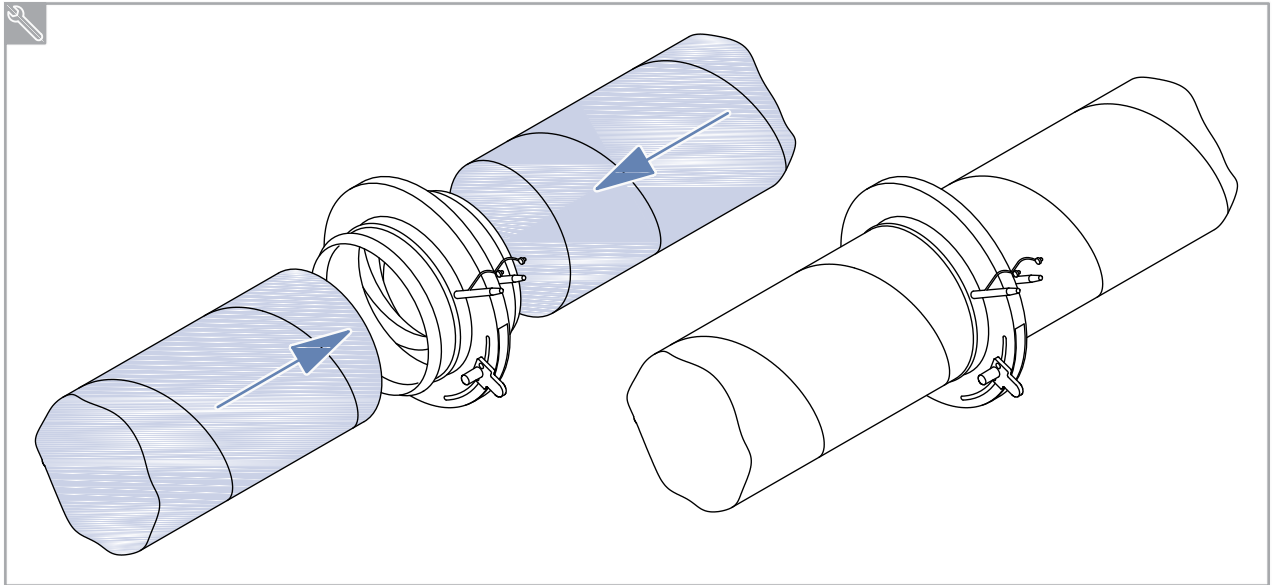


SPI-800 C Iris damper

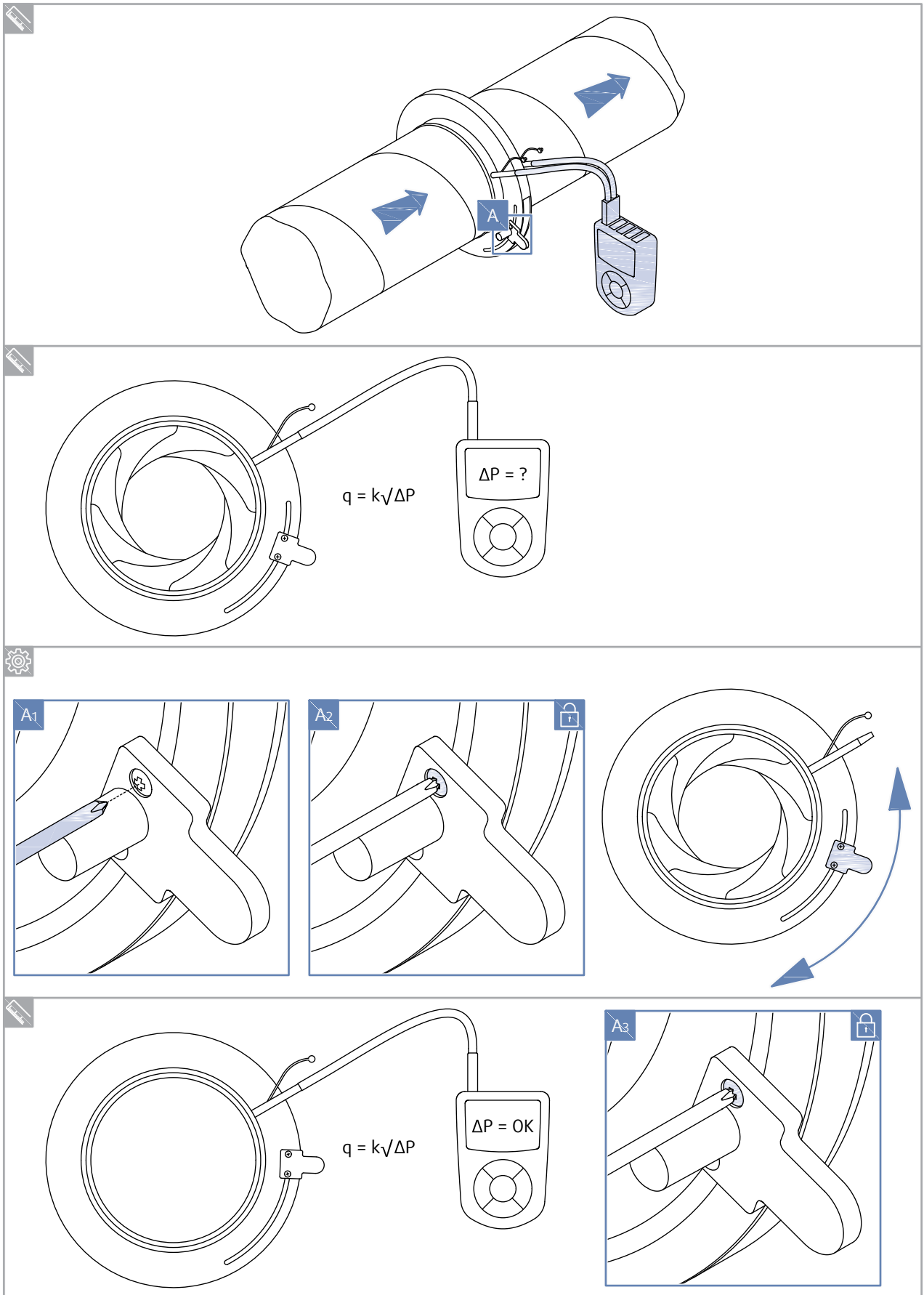
Pressure drop & A-weighted sound power level in dB(A)



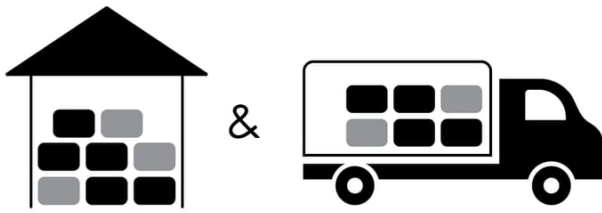
Installation





Measurement




Transport, Storage and Operation



 °C -40 °C ... +50 °C

 % ≤ 95%



 °C -20 °C ... +70 °C

 % ≤ 95%

Supplement

Any deviations from the technical specifications contained herein and the terms should be discussed with the manufacturer. We reserve the right to make any changes to the product without prior notice, provided that these changes do not affect the quality of the product and the required parameters. Current information on all products is available on design.systemair.com.



Handbook_SPI_en-GB
design.systemair.com
www.systemair.com

© Copyright Systemair Production a.s
All rights reserved
E&OE

Systemair reserves the right to alter their products without notice.
This also applies to products already ordered, as long as it does not affect the previously agreed specifications.