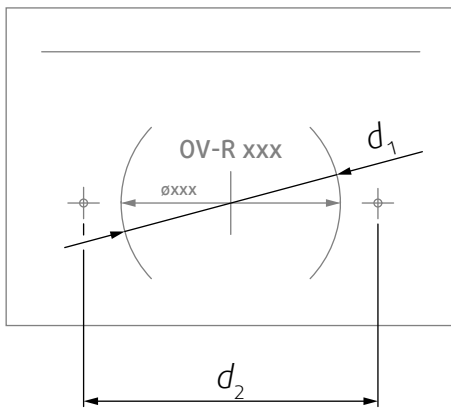
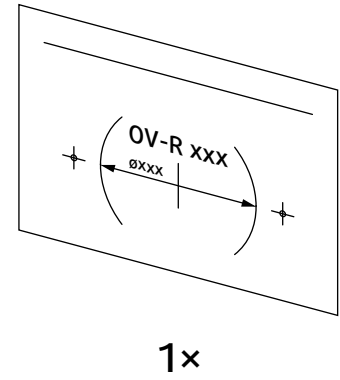
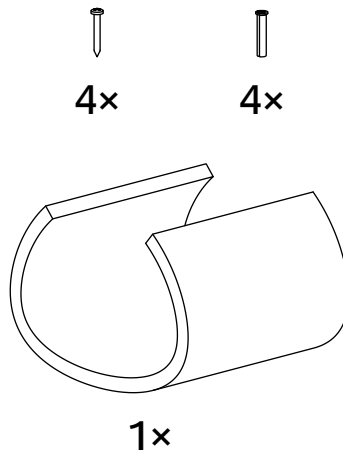
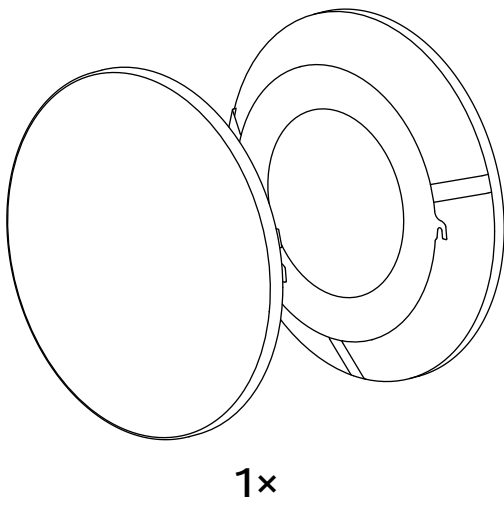


OV-R

Air Transfer Device

User Manual

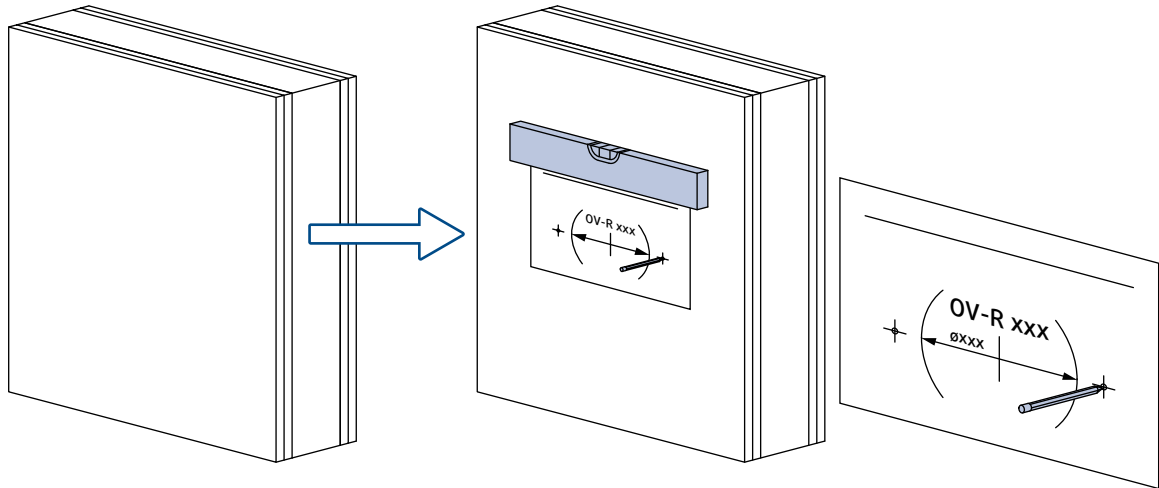




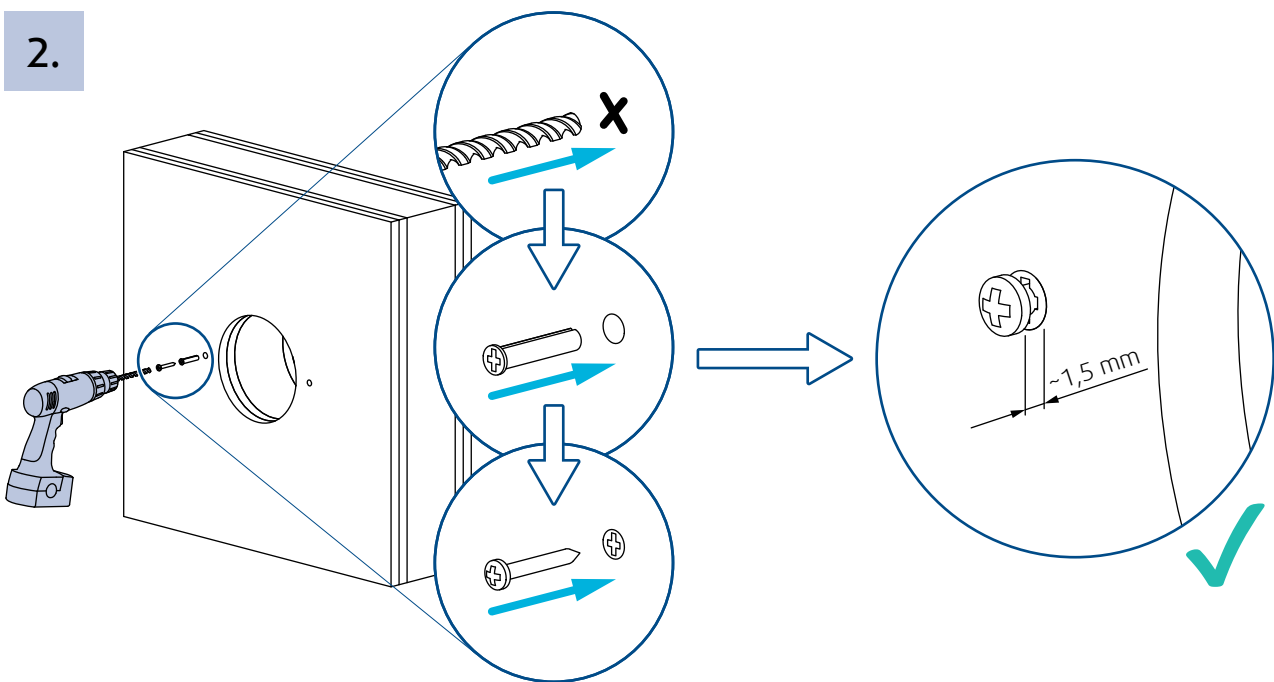
OV-R		
DN	d_1	d_2
100	DN + 20	156
125		195
160		208
200		248



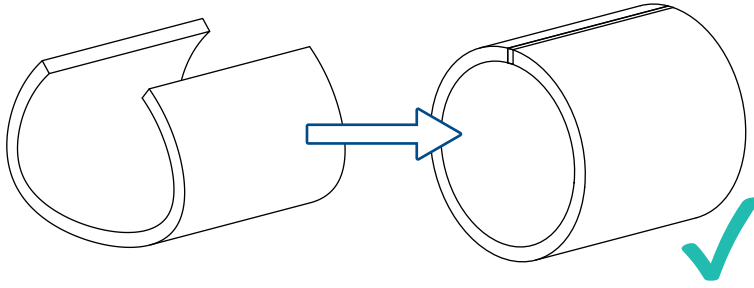
1.



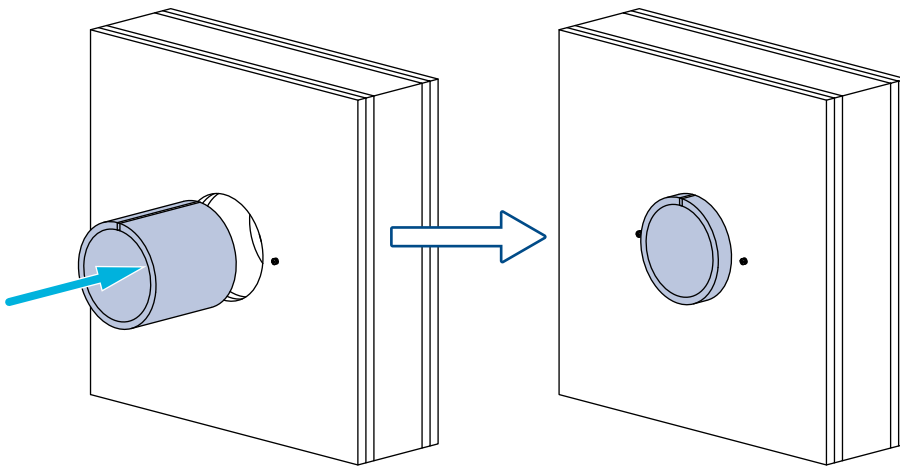
2.



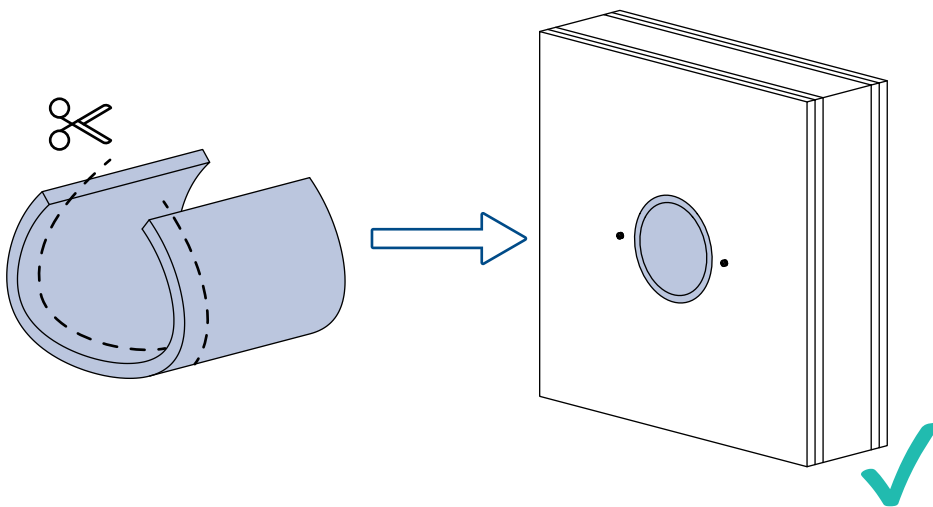
3.



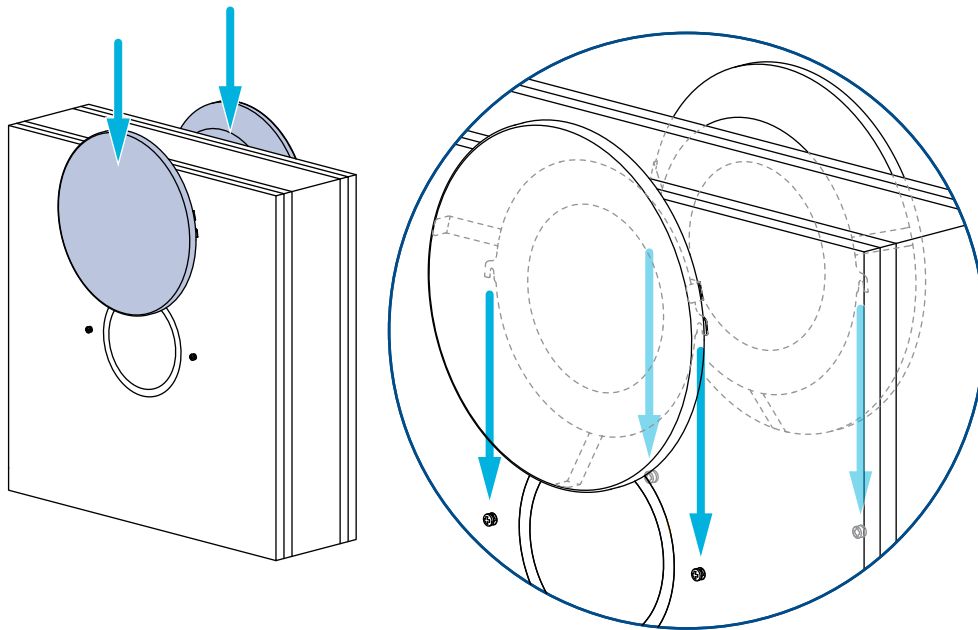
4.



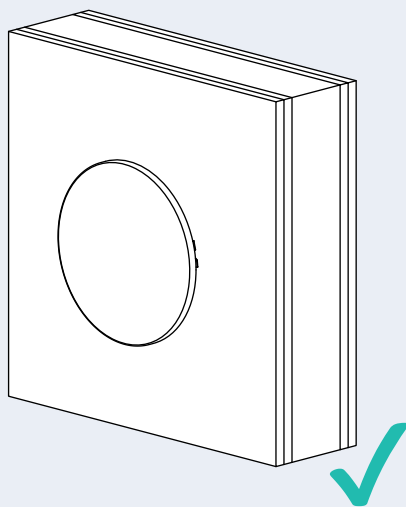
5.

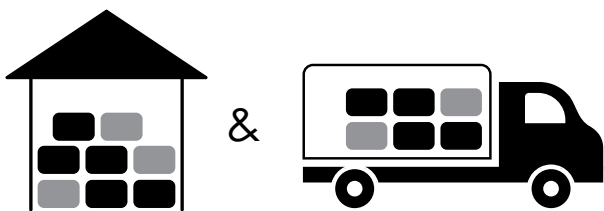


6.




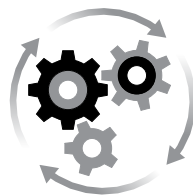
7.






 °C -40°C ... +50°C


 % ≤ 95%



 °C -20°C ... +70°C

 % ≤ 95%



 design.systemair.com

