

PZAL-RES

External Residential Louvre



Table of Contents

Description	3
Dimensions & Weights	5
Ordering Codes	6
Technical Parameters	7
Installation	8
Transport, Storage and Operation	10
Supplement	11

Description

PZAL-RES is a residential louvre with a plenum box. The product is intended to protect the outside supply and exhaust wall openings against rainwater penetration. The water is blocked from entering the duct with air speed up to 3 m/s. The product also blocks the view into the inside of the duct. The product is ideal for building facade ventilation transitions for air supply or extract.

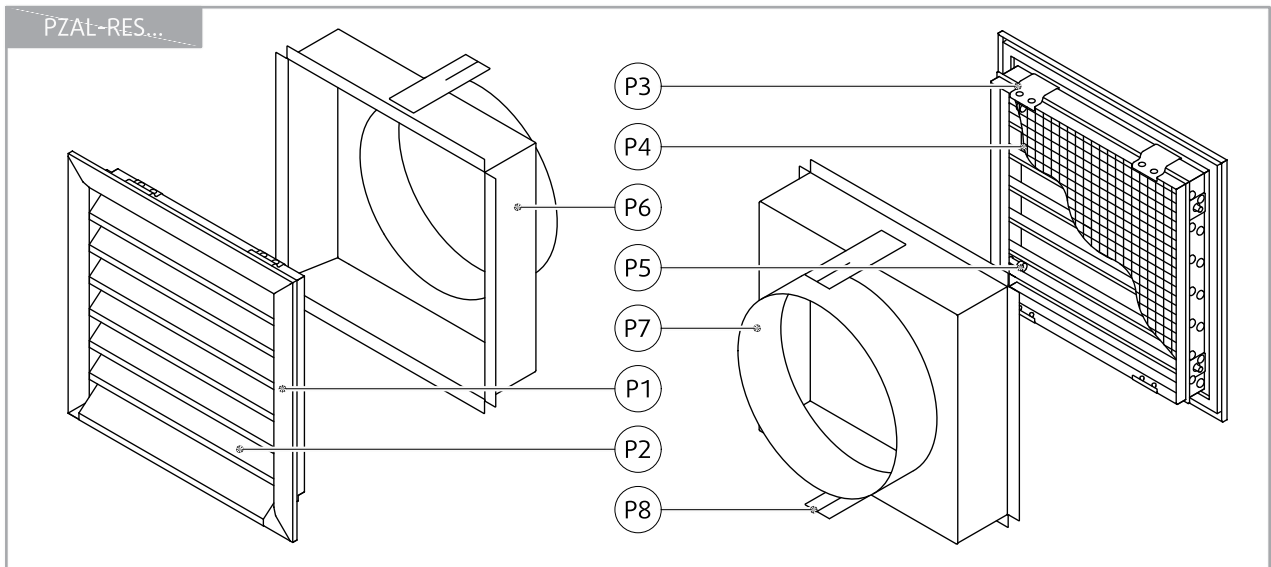
Highlights

- Proven design for effective rainwater separation
- Robustness and mechanical stability
- Plenum box is a part of delivery

Design

PZAL-RES is manufactured from anodized extruded aluminium profiles. The product consists of an outer frame, an inner frame with a built-in ledge, louvre blades, and a plenum box. The plenum box is manufactured from galvanized steel sheet. The inside of the plenum box is powder-painted to black. The product is provided without any additional surface finish as standard and can be powder painted to any RAL code specified by the customer. The built-in ledge avoids water penetration across the louvre frame.

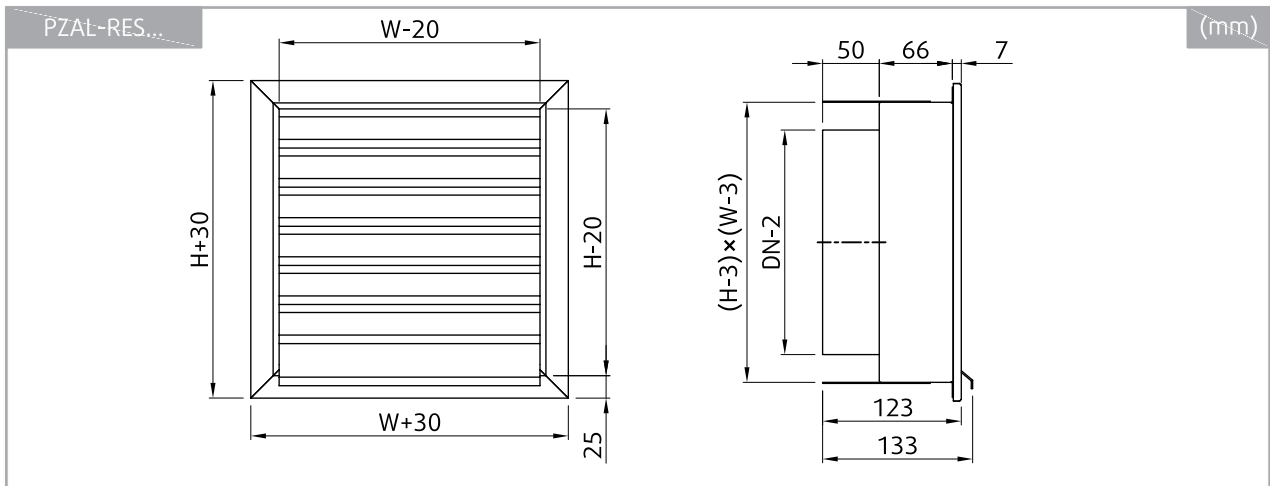
Product Parts



Legend:

- P1** - Outer frame
- P2** - Blades
- P3** - Spring
- P4** - Bird mesh
- P5** - Fixing bolt
- P6** - Box's casing
- P7** - Duct connection
- P8** - Bendable mounting bracket

Dimensions & Weights



	DN	W	H	m	A _v
		mm		kg	m ²
PZAL-RES-150x150-100	100	150	150	0,5	0,007
PZAL-RES-150x150-125	125	150	150	0,5	0,011
PZAL-RES-160x160-100	100	160	160	0,6	0,007
PZAL-RES-160x160-125	125	160	160	0,6	0,011
PZAL-RES-200x200-125	125	200	200	0,8	0,011
PZAL-RES-200x200-160	160	200	200	0,8	0,018
PZAL-RES-250x250-160	160	250	250	1,2	0,018
PZAL-RES-250x250-200	200	250	250	1,2	0,029
PZAL-RES-300x300-200	200	300	300	1,8	0,029
PZAL-RES-300x300-250	250	300	300	1,8	0,046
PZAL-RES-315x315-200	200	315	315	1,8	0,029
PZAL-RES-315x315-250	250	315	315	2,2	0,046
PZAL-RES-355x355-315	315	355	355	2,2	0,073

Ordering Codes

External residential louvre
PZAL-RES

Size (mm)

150x150

160x160

200x200

250x250

300x300

315x315

355x355

Inlet diameter (DN)

100

125

160

200

250

315

NOTE:

The product is provided with anodized surface finish as standard. Other RAL colours are available upon request.

Example of the Ordering Code

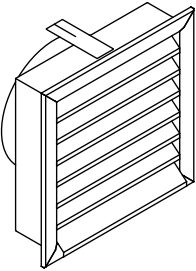
PZAL-RES-200x200-160

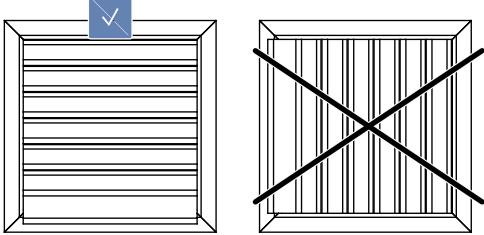
An external residential louvre size 200 mm x 200 mm, with inlet size 160

Technical Parameters

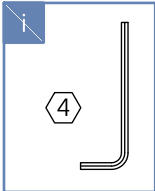
Diagrams and technical parameters are available at design.systemair.com

Installation

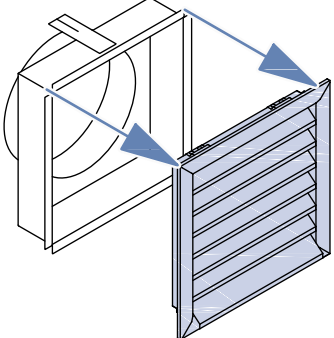




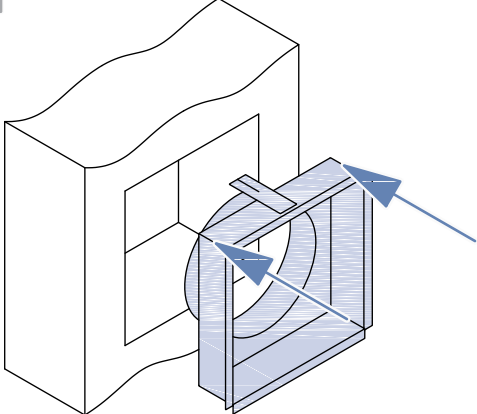
PZAL-RES...



1



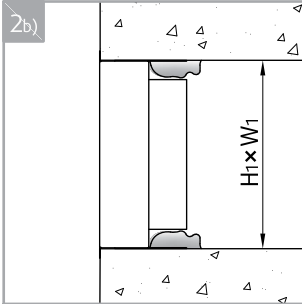
2a)



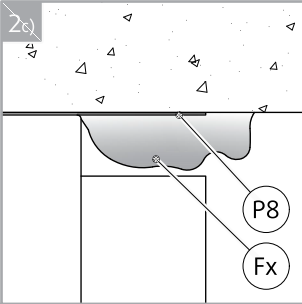
(mm)

	H ₁	W ₁
	(mm)	
PZAL-RES-150×150...	155	155
PZAL-RES-160×160...	165	165
PZAL-RES-200×200...	205	205
PZAL-RES-250×250...	255	255
PZAL-RES-300×300...	305	305
PZAL-RES-315×315...	320	320
PZAL-RES-355×355...	360	360

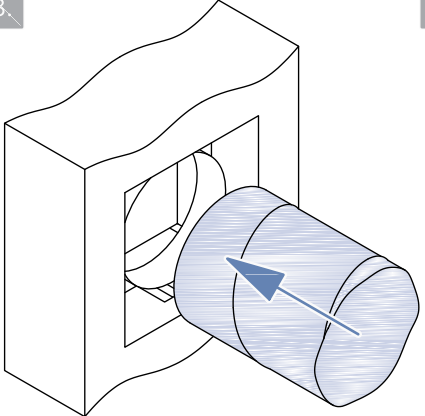
2b)



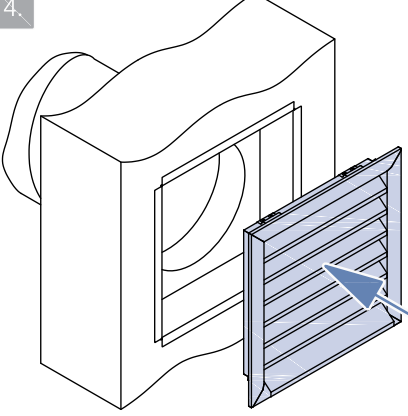
2c)



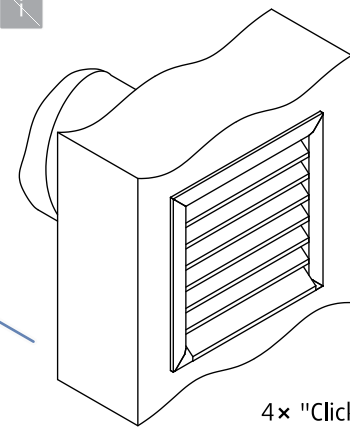
3



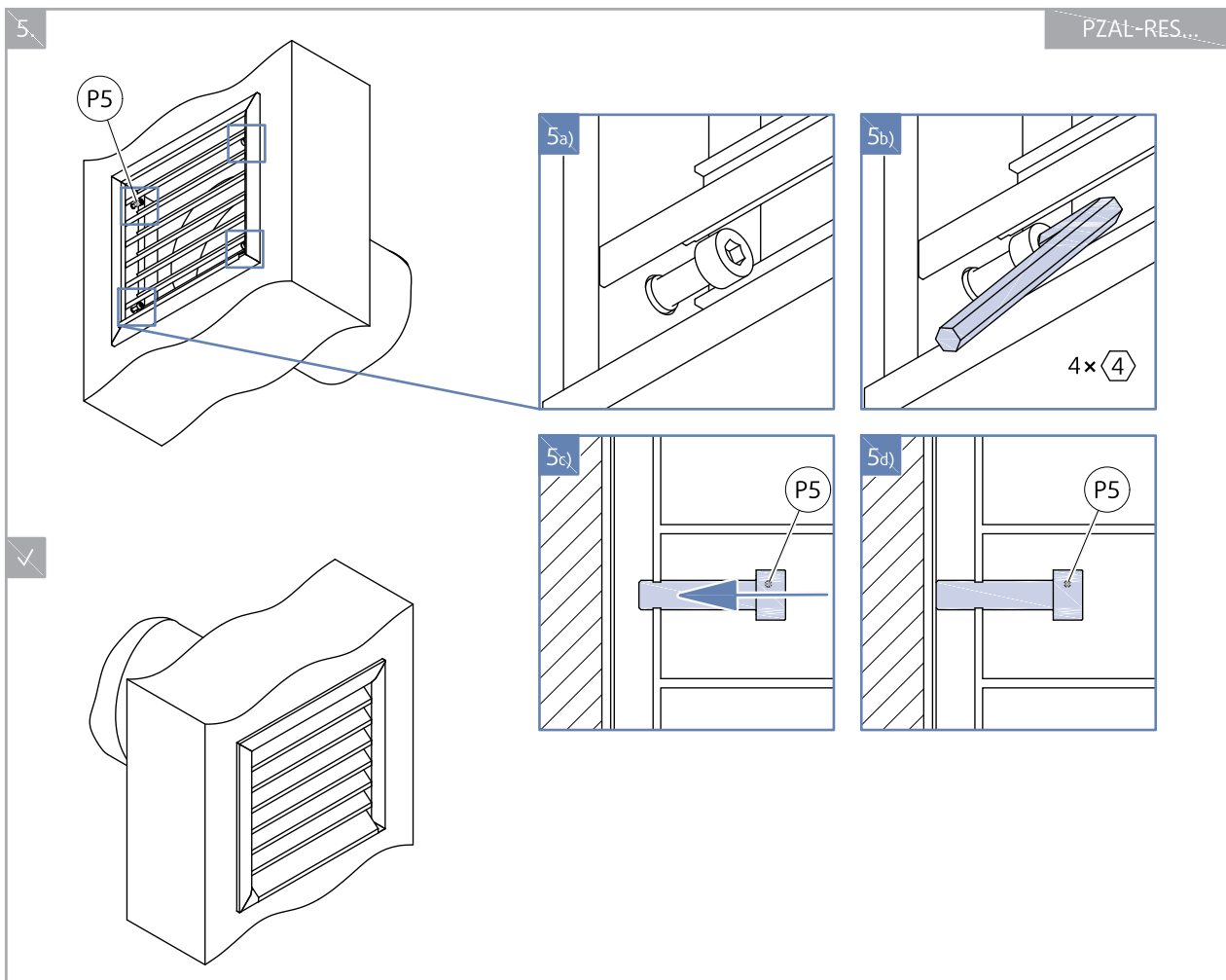
4



4



4 × "Click"

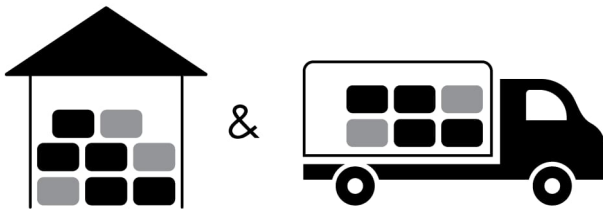
**Legend:**


P5 - Fixing bolt


P8 - Bendable mounting bracket

Fx - Plaster/mortar/concrete filling or Adhesive foam


Transport, Storage and Operation




 °C -20 °C ... +40 °C

 % ≤ 95%



 °C -20 °C ... +40 °C

 % ≤ 95%

Supplement

Any deviations from the technical specifications contained herein and the terms should be discussed with the manufacturer. We reserve the right to make any changes to the product without prior notice, provided that these changes do not affect the quality of the product and the required parameters. Current information on all products is available on design.systemair.com.



Handbook_PZAL_RES_en-GB
design.systemair.com
www.systemair.com

© Copyright Systemair Production a.s
All rights reserved
E&OE

Systemair reserves the right to alter their products without notice.
This also applies to products already ordered, as long as it does not affect the previously agreed specifications.