

RFV

Mounting Frame

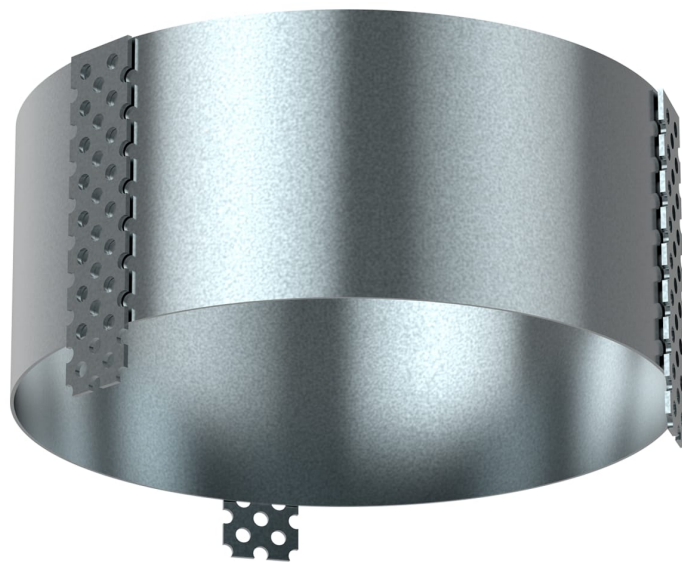


Table of Contents

Description	3
Dimensions & Weights	4
Ordering Codes	5
Installation	6
Transport, Storage and Operation	10
Supplement	11

Description

RFV is a mounting frame. The product enables connection of the duct types that cannot be connected directly to the valve, e.g. flexible ducts. The product also helps fix the valves to the rigid construction parts like e.g. suspended ceilings.

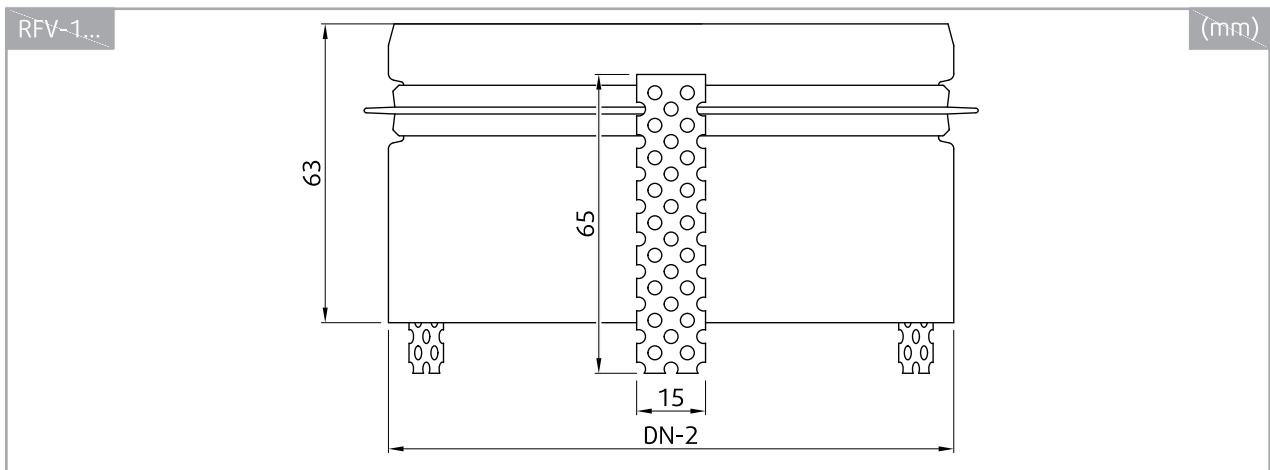
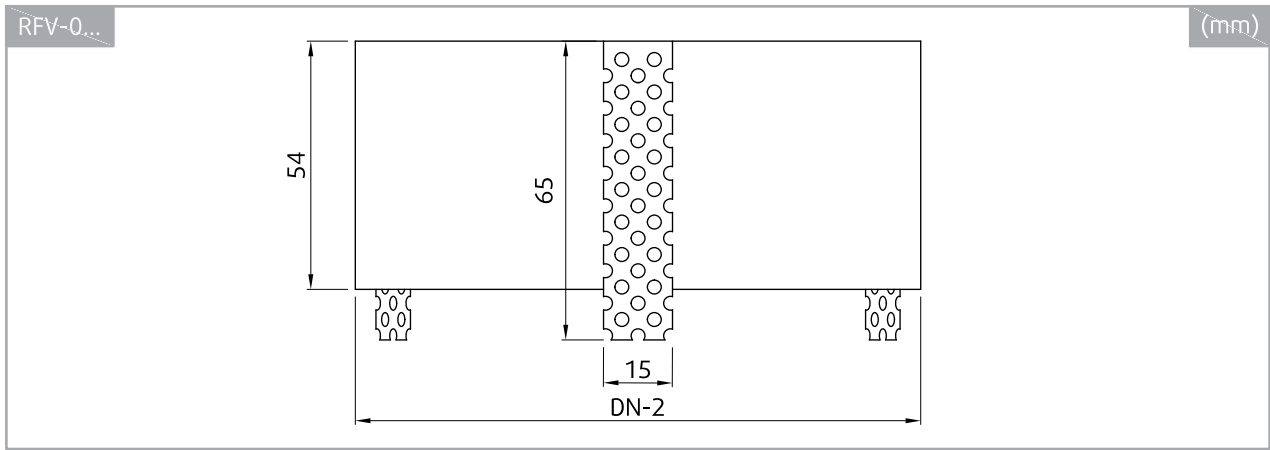
Types of Product

- **RFV-0** Mounting frame with an untight spigot, for use with flexible ducts
- **RFV-1** Mounting frame with an EPDM gasket, for use with spiro ducts

Design

RFV is manufactured from galvanized steel. The circular duct connection is equipped with an EPDM gasket. The product is fitted with fixing straps for fixing the valve to rigid construction parts.

Dimensions & Weights



	m (kg)
RFV...80	0,1
RFV...100	0,2
RFV...125	0,2
RFV...150	0,2
RFV...160	0,2
RFV...200	0,3

Ordering Codes

Mounting bridge

RFV-

Duct connection

0 Untight spigot

1 Pressed tight spigot

Dimension

80

100

125

150

160

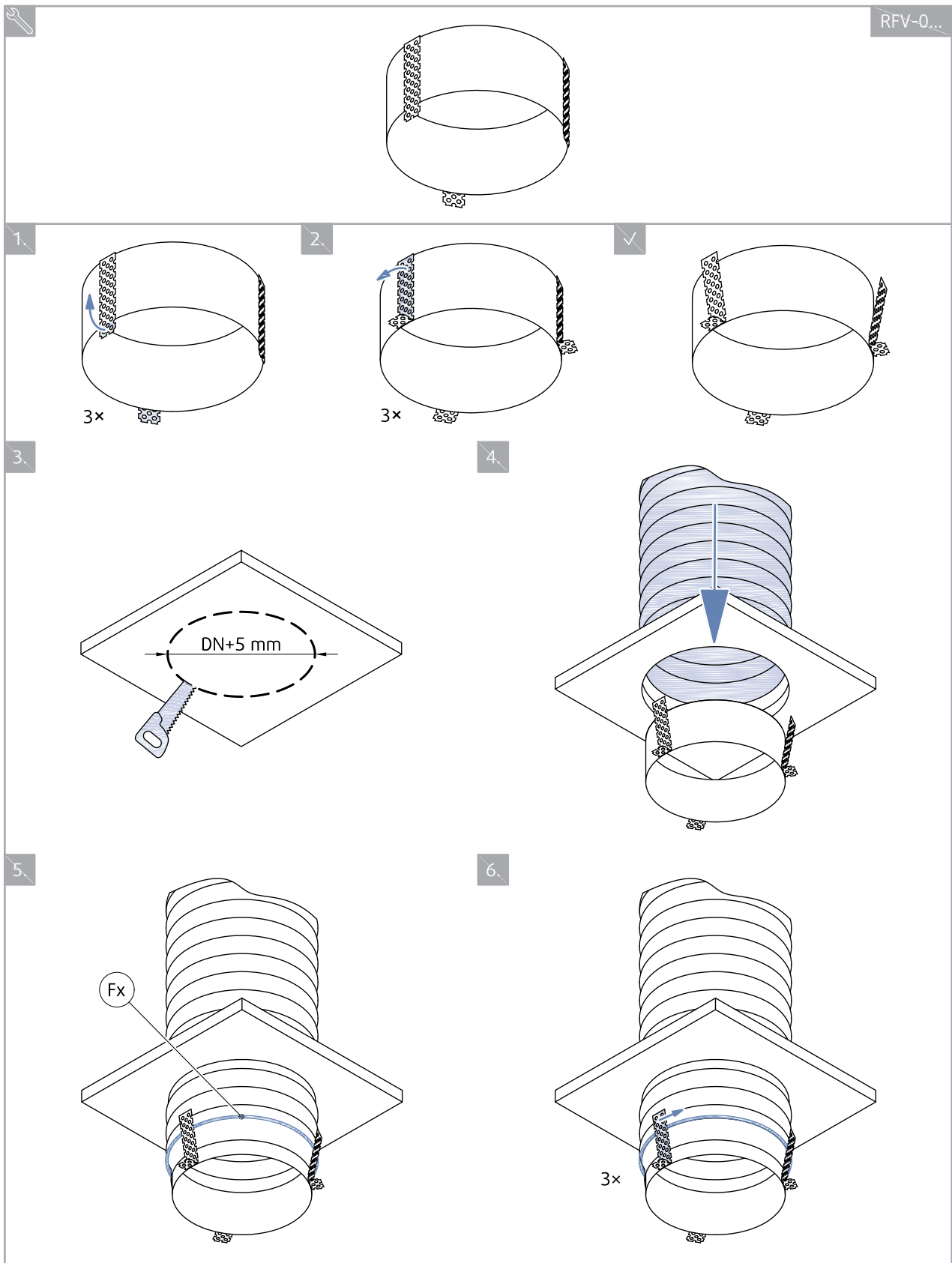
200

Example of the Ordering Code

RFV-1-100

RFV mounting frame with pressed tight spigot, with nominal dimension 100.

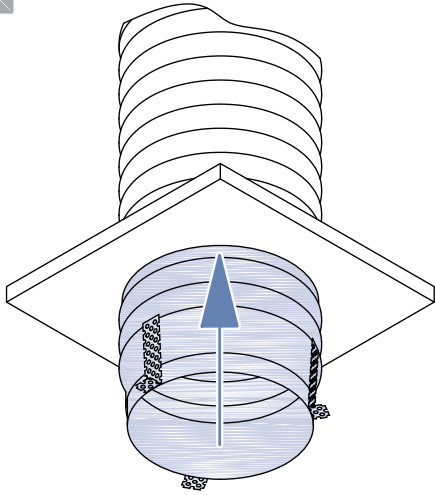
Installation



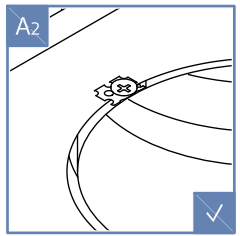
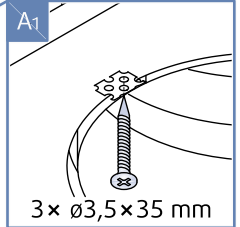
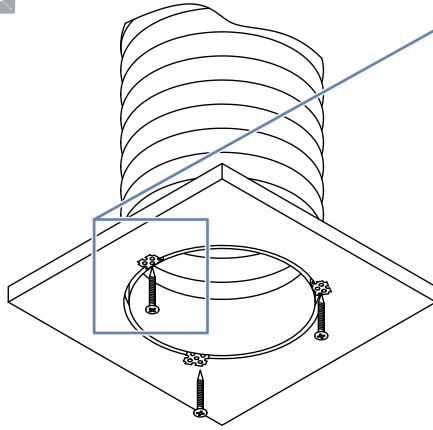
Legend

Fx - Duct clamp or Duct tape

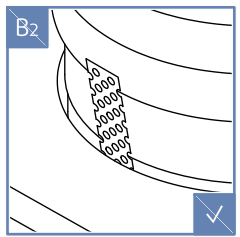
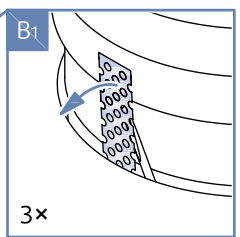
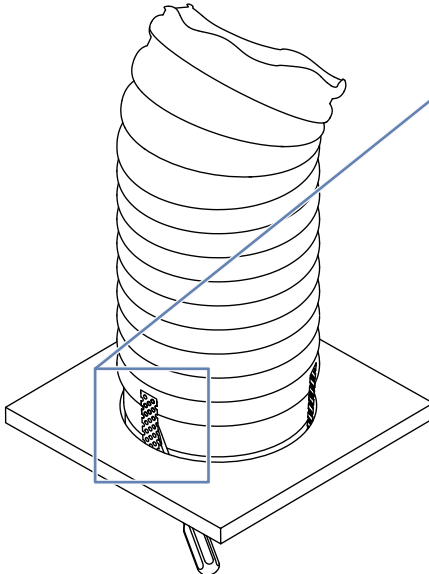
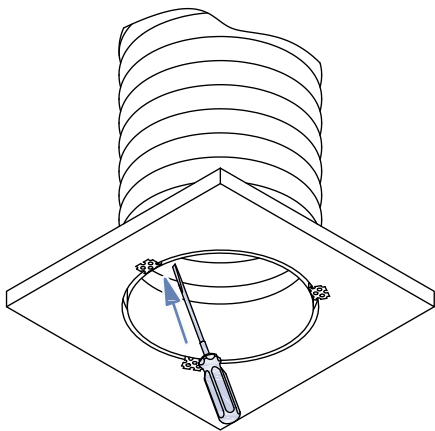
7.



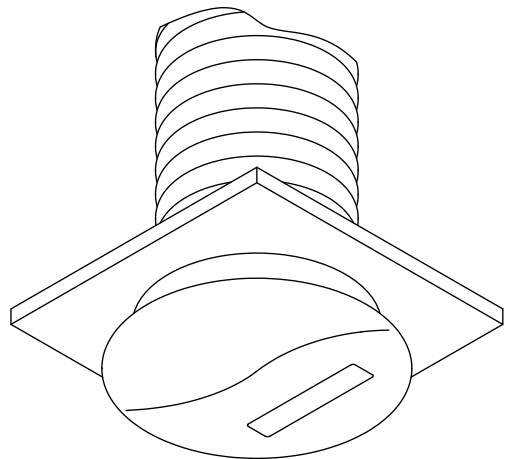
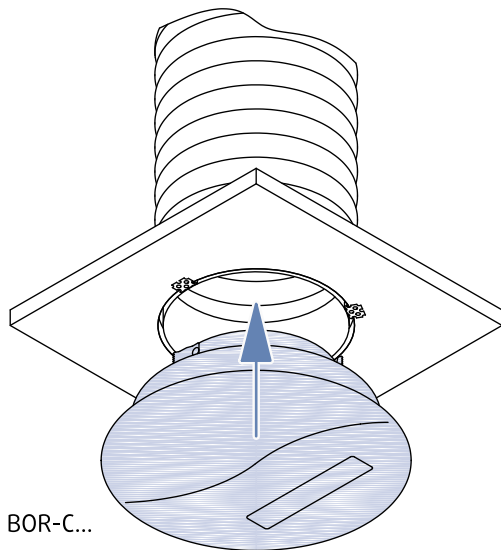
8.

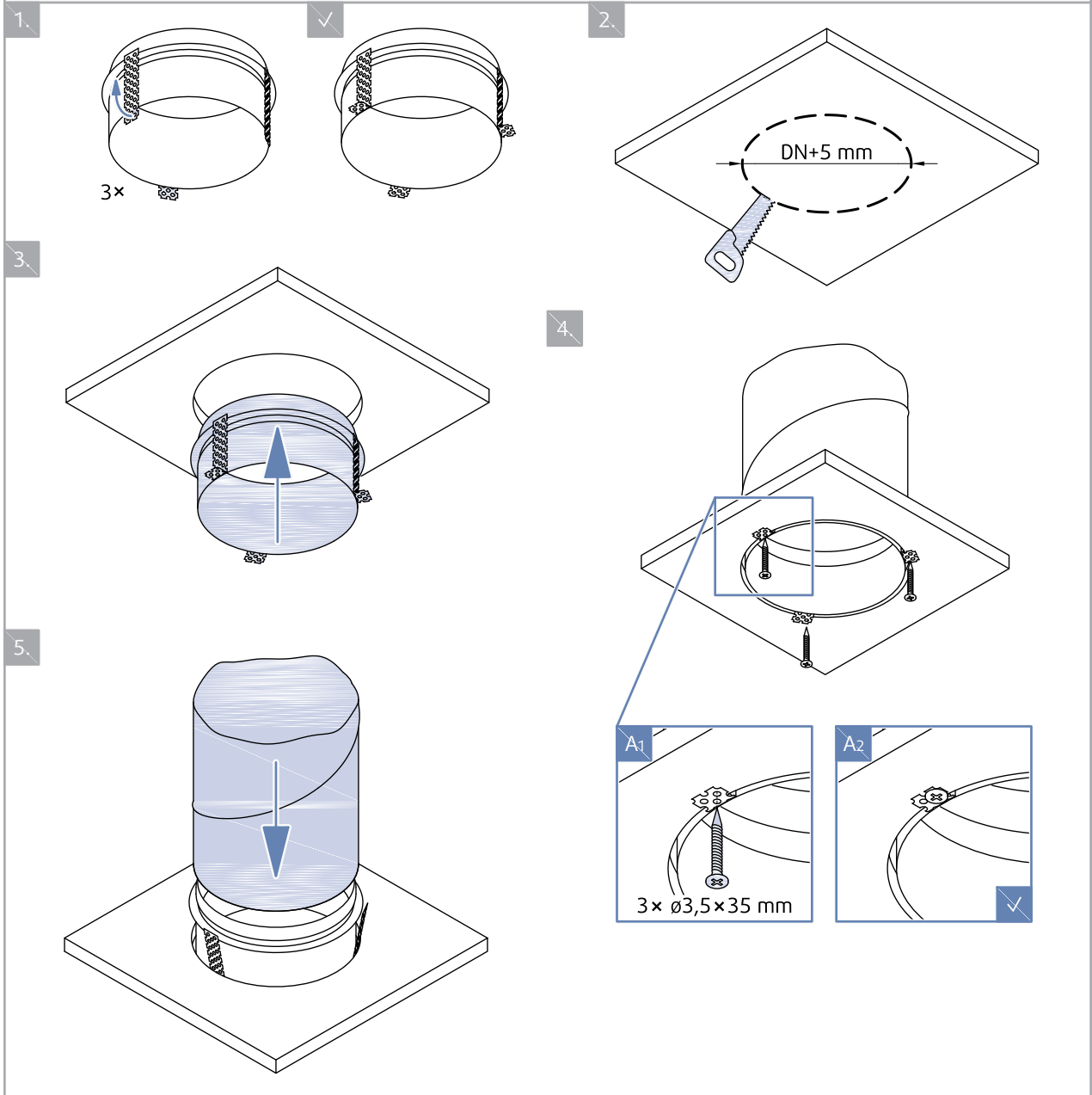
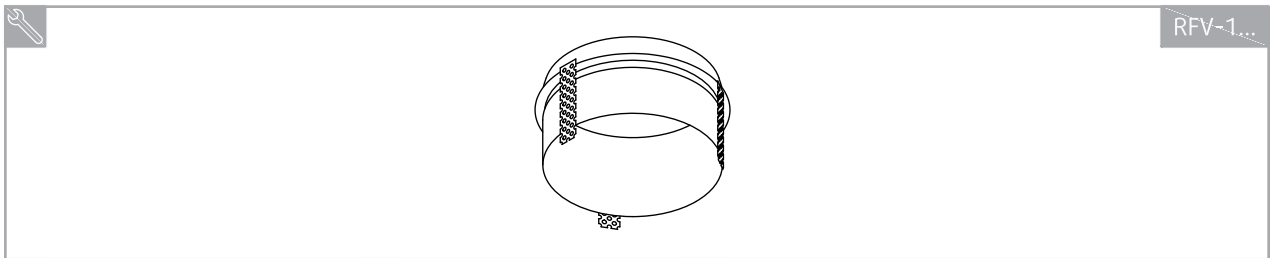
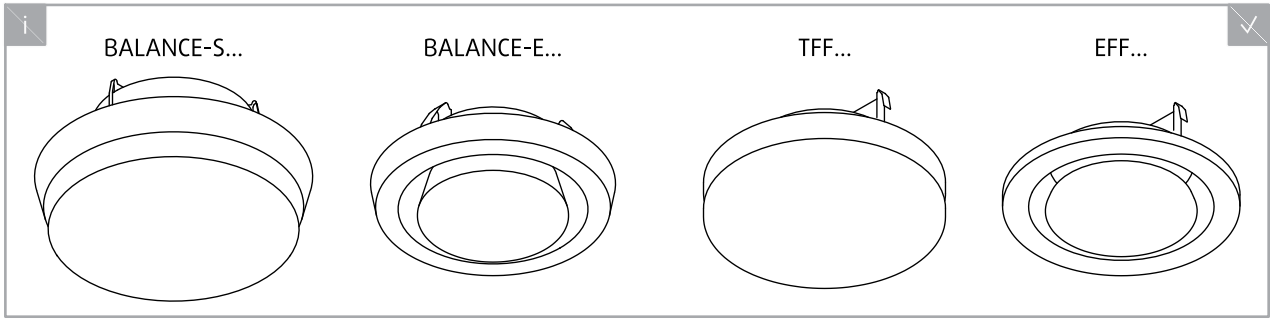


9.

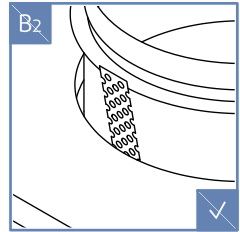
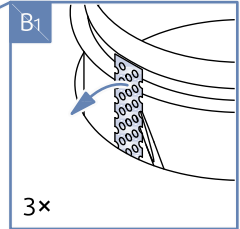
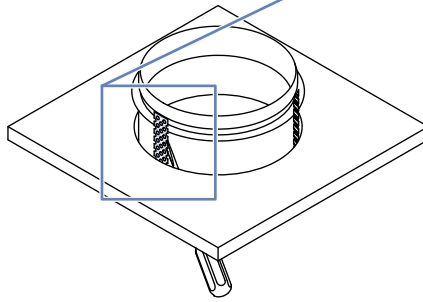
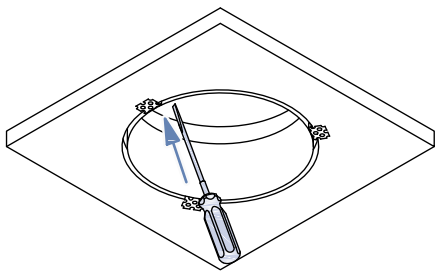


10.

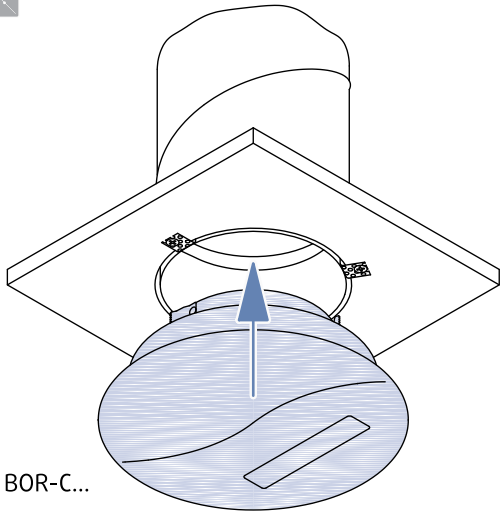




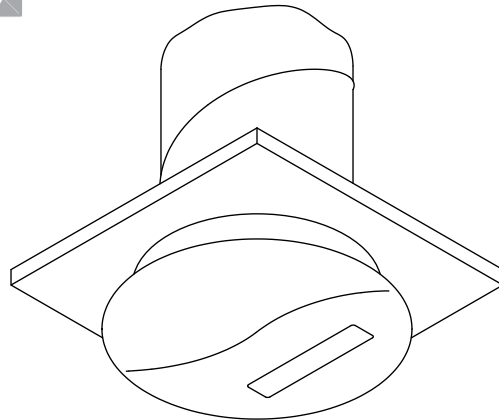
6.



7.



✓



BOR-C...

i

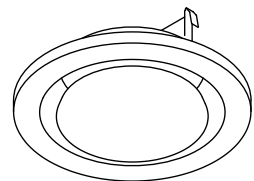
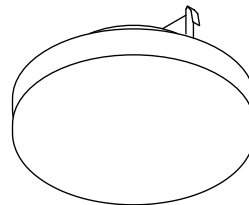
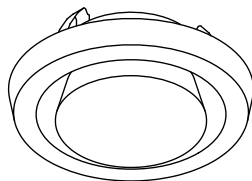
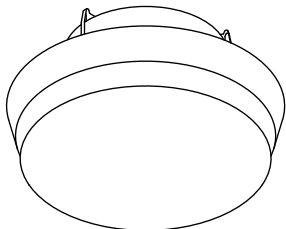
BALANCE-S...

BALANCE-E...

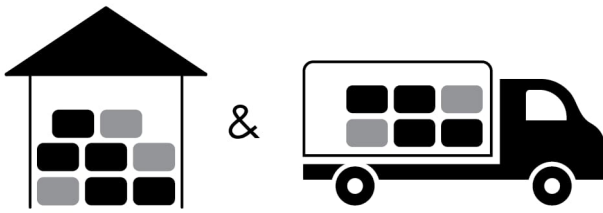
TFF...


EFF...


✓




Transport, Storage and Operation




 °C -40 °C ... +50 °C

 % ≤ 95%



 °C -20 °C ... +70 °C

 % ≤ 95%

Supplement

Any deviations from the technical specifications contained herein and the terms should be discussed with the manufacturer. We reserve the right to make any changes to the product without prior notice, provided that these changes do not affect the quality of the product and the required parameters. Current information on all products is available on DESIGN.



Handbook_RF_BOR_C_en-GB
design.systemair.com
www.systemair.com

© Copyright Systemair Production a.s
All rights reserved
E&OE

Systemair reserves the right to alter their products without notice.
This also applies to products already ordered, as long as it does not affect the previously agreed specifications.