

# Declaration of Performance

Version: A

## 1. Unique identification code of the product

S-SA1

## 2. Type

Systemair Smoke Control Damper S-SA1

## 3. Intended use of the construction product

Systemair Smoke Control Damper S-SA1 is used in smoke control systems with automatic activation, in single-compartment applications, at temperatures up to 600°C.

## 4. Name, registered trade name and contact address of the manufacturer

Systemair Production a.s.

Hlavná 371,

90043 Kalinkovo, Slovakia

## 5. Where applicable, name and contact address of the authorized representative

---

## 6. System of assessment and verification of constancy of performance of the construction product

System 1

## 7. Harmonized product standard, test standard, classification standard

EN 12101-8:2011, EN 1366-10:2022, EN 13 501-4:2016

## 8. Identification number of the notified body

1396

Name and address of the notified person:

FIRES s.r.o.,

Osloboditeľov 282,

059 35 Batizovce, Slovakia


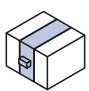
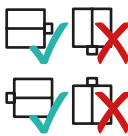

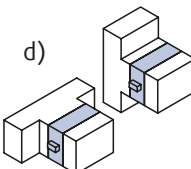
Notified person performed in system 1 the determination of the product type based on type testing (including sampling) and descriptive documentation of the production initial inspection of the manufacturing plant and of factory production control and continuous surveillance, assessment and evaluation of factory production control and issued certificate of constancy of performance:



1396 - CPR - 0229

## 9. Declared Performance:

### Installations:

 DMV	S-SA1 200 × 200 ... ... 1200 × 800	$E_{600} 120 (v_{ed} i \leftrightarrow o)$ S1500 $C_{MOD}$ AAsingle	d) 	EN 1366-9	
 D1V			d) 		

### Product can be installed:

- in the systems for use with combined smoke control and general HVAC application;
- in the systems where the smoke control dampers are operated only in the case of emergency;
- in the systems with smoke control dampers that are cycle checked every day.

### Notes:

**DMV** - Vertically Oriented Damper (in the Metal Duct)

**D1V** - Vertically Oriented Damper (on the Duct)

**d)** - Duct per EN 1366-9

**v<sub>ed</sub>** - Duct placement, vertically oriented damper

Tightness class according to EN 1751:

Product type/subtype and/or size range	Achieved class at pressure
S-SA1	Casing class "C" up to 500 Pa Blade class "3" up to 500 Pa

Electrical equipment in actuating mechanism:

Type of control	Equipment/Actuator
Actuator Belimo (B...):	BEN230, BEN24, BEE230, BEE24, BE230, BE24, (also with connection possibilities with acronyms -ST, -SR)

## Notified Body Assessment of S-SA1

Property	Test regulation	Classification standard	Technical specification for assessment	Performance expressed	Evaluation
Nominal activation conditions/ sensitivity	/	/	EN 12101-8, 4.2.1.3	Smoke control damper for systems with Automatic Activation	<b>Satisfied</b>
Response delay (response time)	EN 1366-10	/	EN 12101-8, 4.2.1.4	Closure/opening at correct time and in allowable time	<b>Satisfied</b>
Operational reliability	EN 1366-10	EN 13501-4, 7.3.5.2	EN 12101-8, 4.3.2.2	10 000 cycles at nominal operating supply (0° to 90°) followed by 10 000 cycles at nominal operating supply (half open to two thirds open)	<b>Satisfied</b>
Fire resistance • integrity • smoke leakage • mechanical stability • maintenance of cross-section	EN 1366-10	EN 13501-4, 7.3.5.2	EN 12101-8, 4.1.1, a), 4.3.1 4.1.1 c), 4.3.1 4.1.1 d) 4.1.1 e)	See installation Table 9.	<b>Satisfied</b>
Durability • of response delay • of operational reliability	EN 1366-10	/ EN 13501-4,	EN 12101-8, 4.3.2.1 4.3.2.2	Durability of response delay is preserved Durability of operational reliability is preserved	<b>Satisfied</b>

This declaration of performance is issued under the sole responsibility of the manufacturer identified in point 4. Signed for and on behalf of the manufacturer by:

Kalinkovo, May 05, 2023

  
Ing. Maroš Chlebo, Managing Director