



Handbook

TFF

Supply Valve



Table of Contents

Description	3
Dimensions & Weights	5
Ordering Codes	6
Accessory	7
Technical Parameters	8
Installation	14
Transport, Storage and Operation	23
Supplement	24

Description

TFF is an air valve. The product is mainly intended for air supply and can be used for air extract. The product is installed onto ducts in ceilings or walls. The front panel can be adjusted to regulate vent capacity. The product has a 360° discharge pattern from which up to 180° can be shielded by a deflector. The field of application is offices, hotels, residential rooms etc.

Highlights

- Easy, precise air flow volume adjustment
- Non-disturbant aesthetic form
- Easy installation

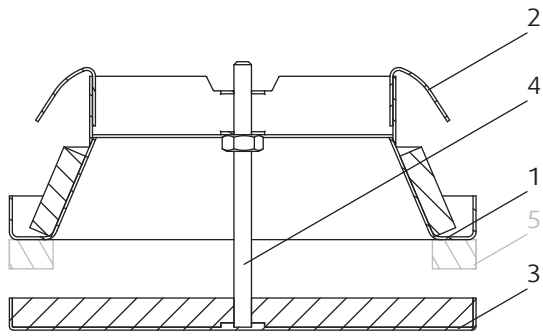
Accessory

- RFV: Mounting frame

Design

TFF is manufactured from galvanized steel sheet. The product consists of a valve housing, duct connection with fixing springs and the adjustable front panel. The front panel is held by the central thread bolt and can be moved by rotating. The gap between the plate and the seat can be adjusted to set the required air flow volume. The product is powder painted to RAL9003 (signal white) as standard. Other RAL colours are available upon request

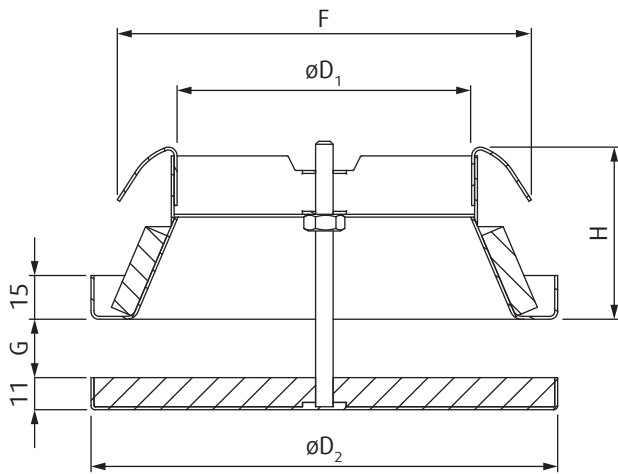
Product Parts



Legend

- 1 - Valve housing
- 2 - Fixing springs
- 3 - Front panel
- 4 - Threaded bolt
- 5 - Area to adhere the foam deflector stripe

Dimensions & Weights



DN	$\varnothing D_1$	$\varnothing D_2$	F	G	H	m
	mm					kg
80	55	108	96	0 ... 20	60	0,2
100	73	135	114	0 ... 30	60	0,3
125	101	160	142	0 ... 20	60	0,4
150	128	191	169	0 ... 15	60	0,4
160	136	195	176	0 ... 15	60	0,5
200	175	230	216	0 ... 30	60	0,7

Ordering Codes

TFF-

Duct connection nominal dimension

80

100

125

150

160

200

Surface finish¹

SW Signal white (RAL9003, gloss 30%)

RALXXXX Other RAL colour

NOTE:

1. In case the surface finish is not specified in the ordering code, the product will be delivered in RAL9003 signal white.

Example of the Ordering Code

TFF-100-SW

TFF air valve with duct connection nominal dimension 100. In signal white colour (RAL9003).

Accessory

RFV



Description

RFV is a mounting frame. The product enables connection of the duct types that cannot be connected directly to the valve, like e.g. flexible ducts. Also the frame helps fixing the valves to the rigid construction parts like e.g. suspended ceiling.

Design

RFV is manufactured from galvanized steel. The product is fitted with fixing straps for fixing the valve to rigid construction parts.

Ordering code

RFV-

Dimension

80

100

125

150

160

200

Example of the Ordering Code

RFV-100

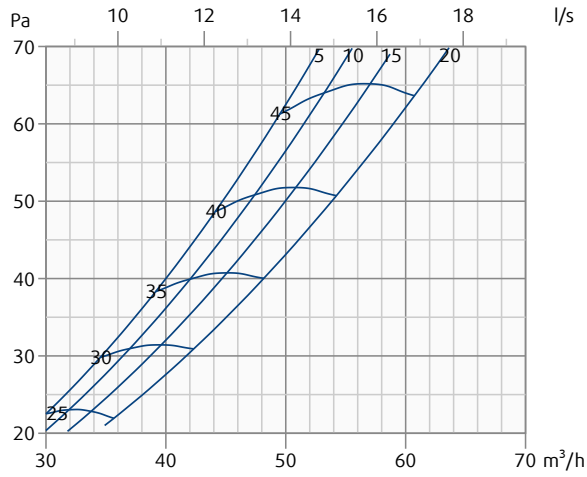
RFV mounting frame with nominal dimension 100.

Technical Parameters

Diagrams for TFF with 180° discharge pattern

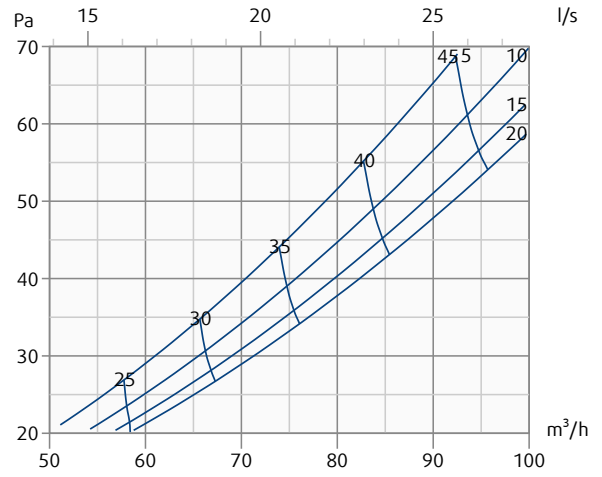
TFF-080-SW

Pressure drop & A-weighted sound power level in dB(A)



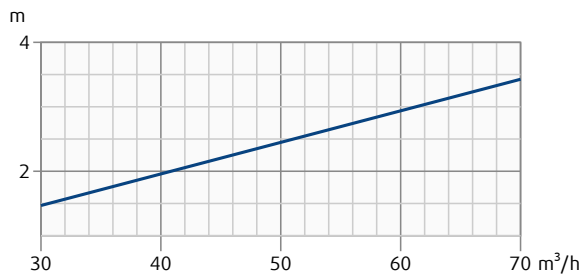
TFF-100-SW

Pressure drop & A-weighted sound power level in dB(A)



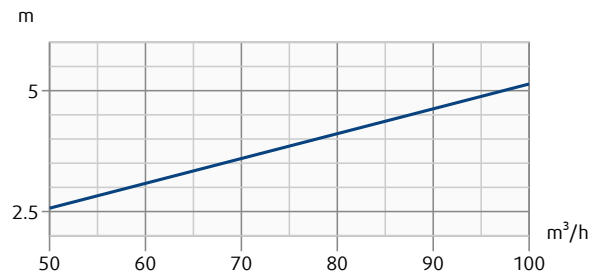
TFF-080-SW

Throw length (terminal velocity 0.2 m/s)



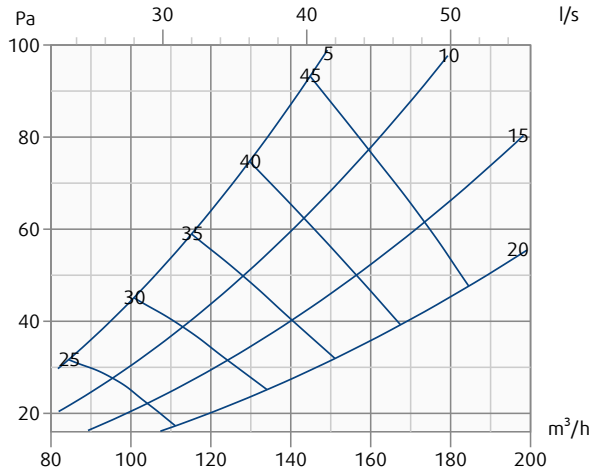
TFF-100-SW

Throw length (terminal velocity 0.2 m/s)



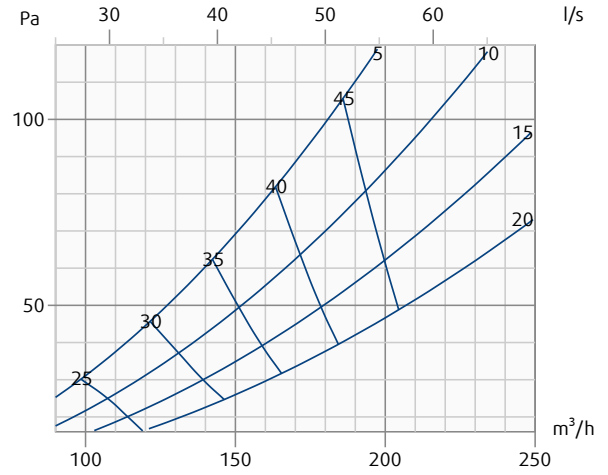
TFF-125-SW

Pressure drop & A-weighted sound power level in dB(A)



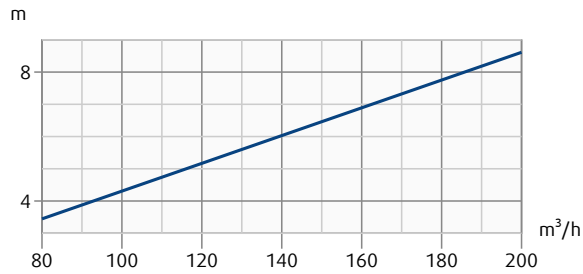
TFF-150-SW

Pressure drop & A-weighted sound power level in dB(A)



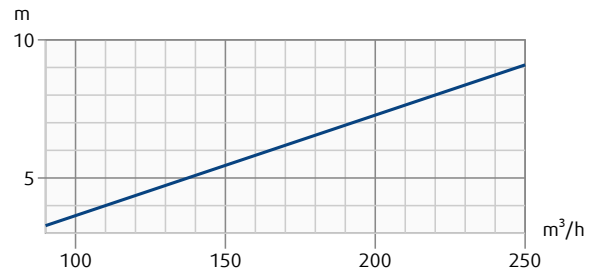
TFF-125-SW

Throw length (terminal velocity 0.2 m/s)



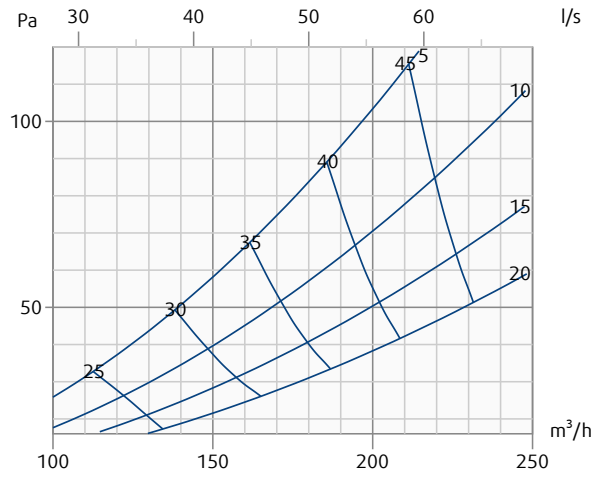
TFF-150-SW

Throw length (terminal velocity 0.2 m/s)



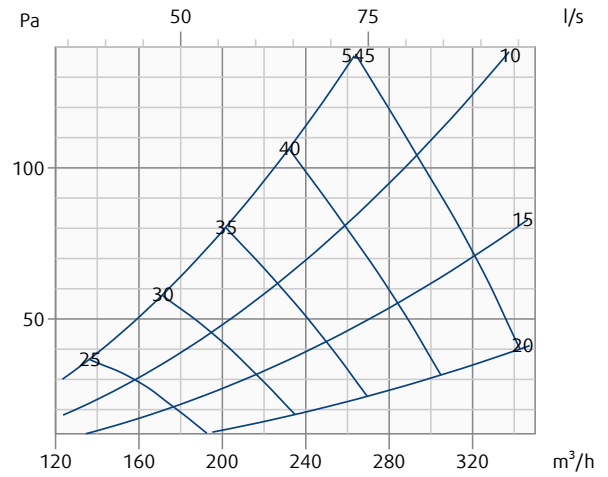
TFF-160-SW

Pressure drop & A-weighted sound power level in dB(A)



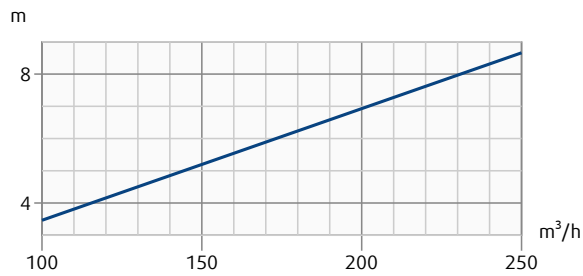
TFF-200-SW

Pressure drop & A-weighted sound power level in dB(A)



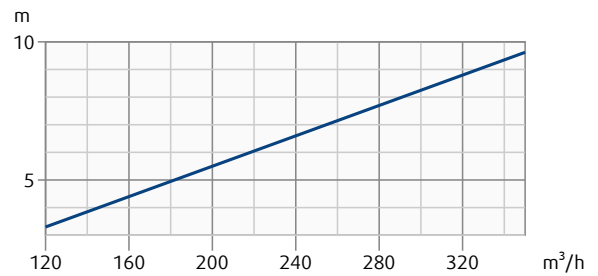
TFF-160-SW

Throw length (terminal velocity 0.2 m/s)



TFF-200-SW

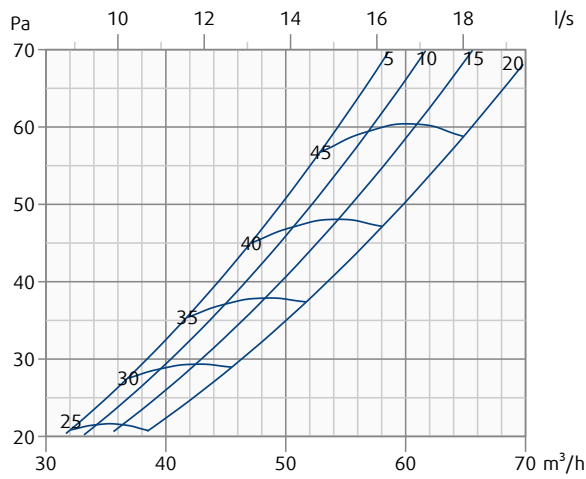
Throw length (terminal velocity 0.2 m/s)



Diagrams for TFF with 360° discharge pattern

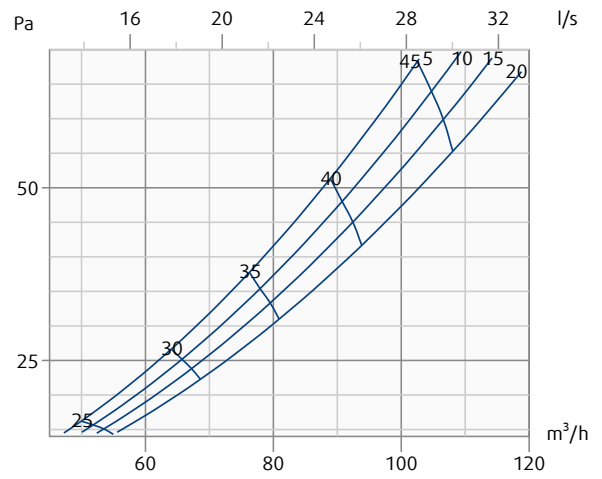
TFF-080-SW

Pressure drop & A-weighted sound power level in dB(A)



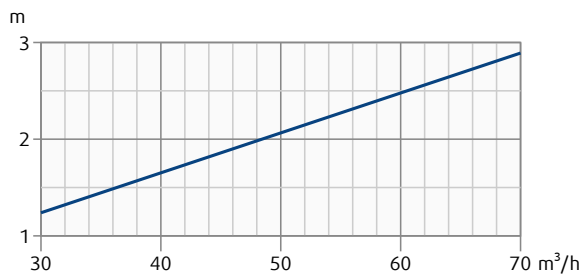
TFF-100-SW

Pressure drop & A-weighted sound power level in dB(A)



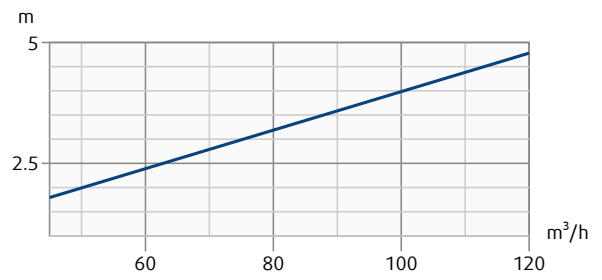
TFF-080-SW

Throw length (terminal velocity 0.2 m/s)



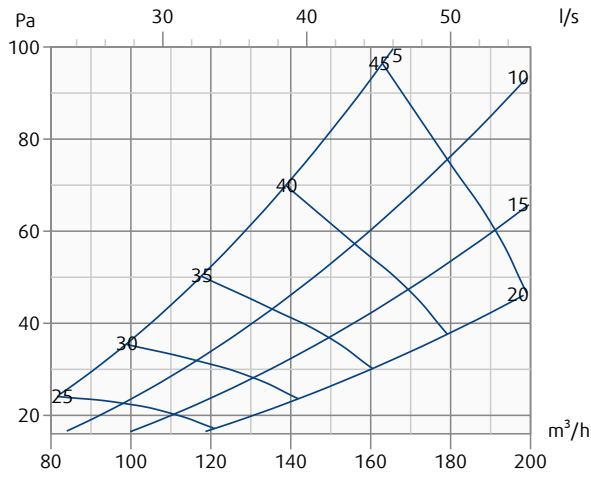
TFF-100-SW

Throw length (terminal velocity 0.2 m/s)



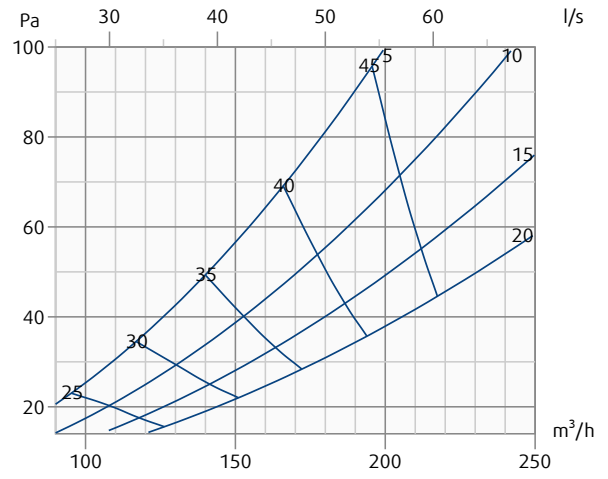
TFF-125-SW

Pressure drop & A-weighted sound power level in dB(A)



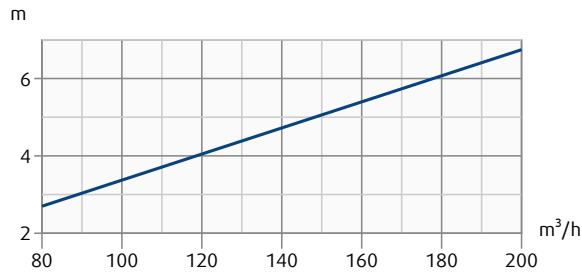
TFF-150-SW

Pressure drop & A-weighted sound power level in dB(A)



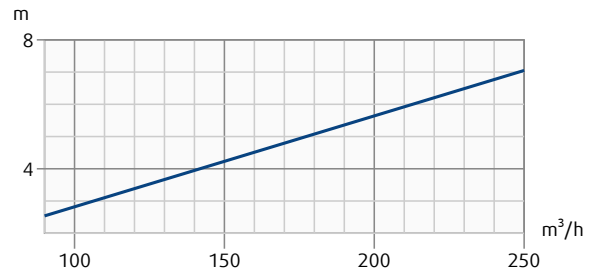
TFF-125-SW

Throw length (terminal velocity 0.2 m/s)



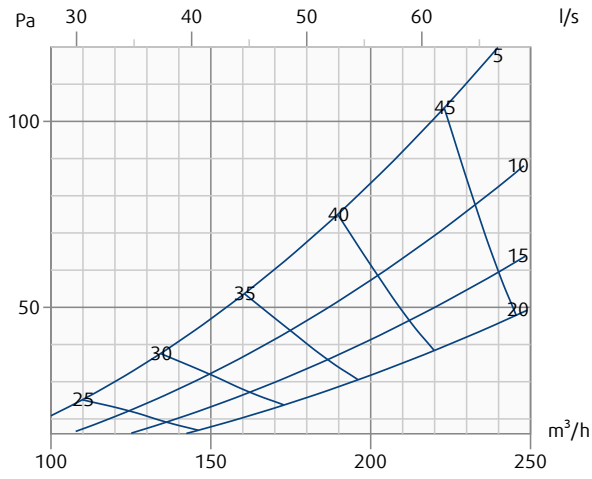
TFF-150-SW

Throw length (terminal velocity 0.2 m/s)



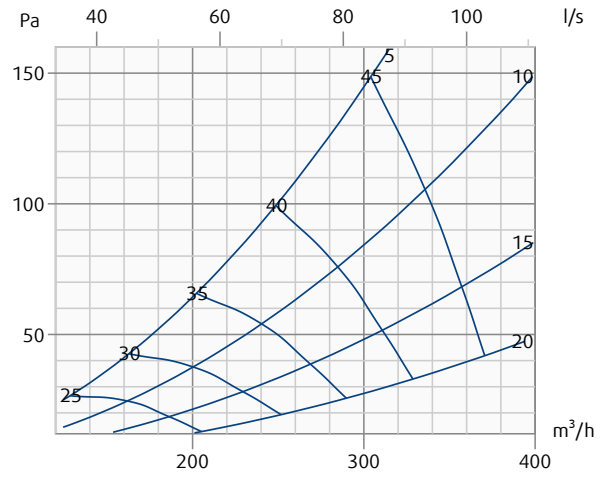
TFF-160-SW

Pressure drop & A-weighted sound power level in dB(A)



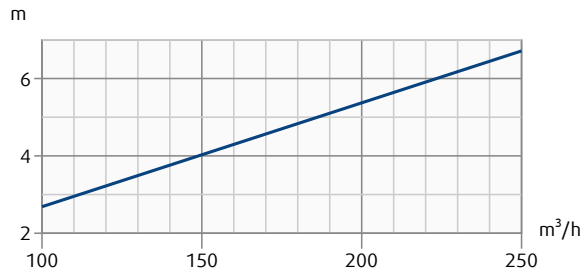
TFF-200-SW

Pressure drop & A-weighted sound power level in dB(A)



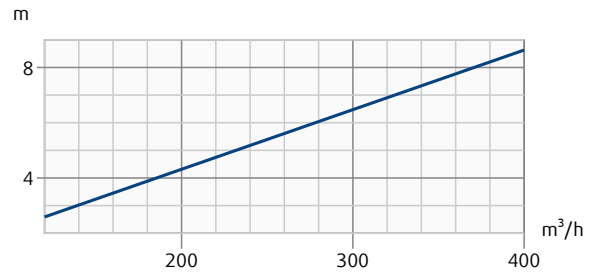
TFF-160-SW

Throw length (terminal velocity 0.2 m/s)

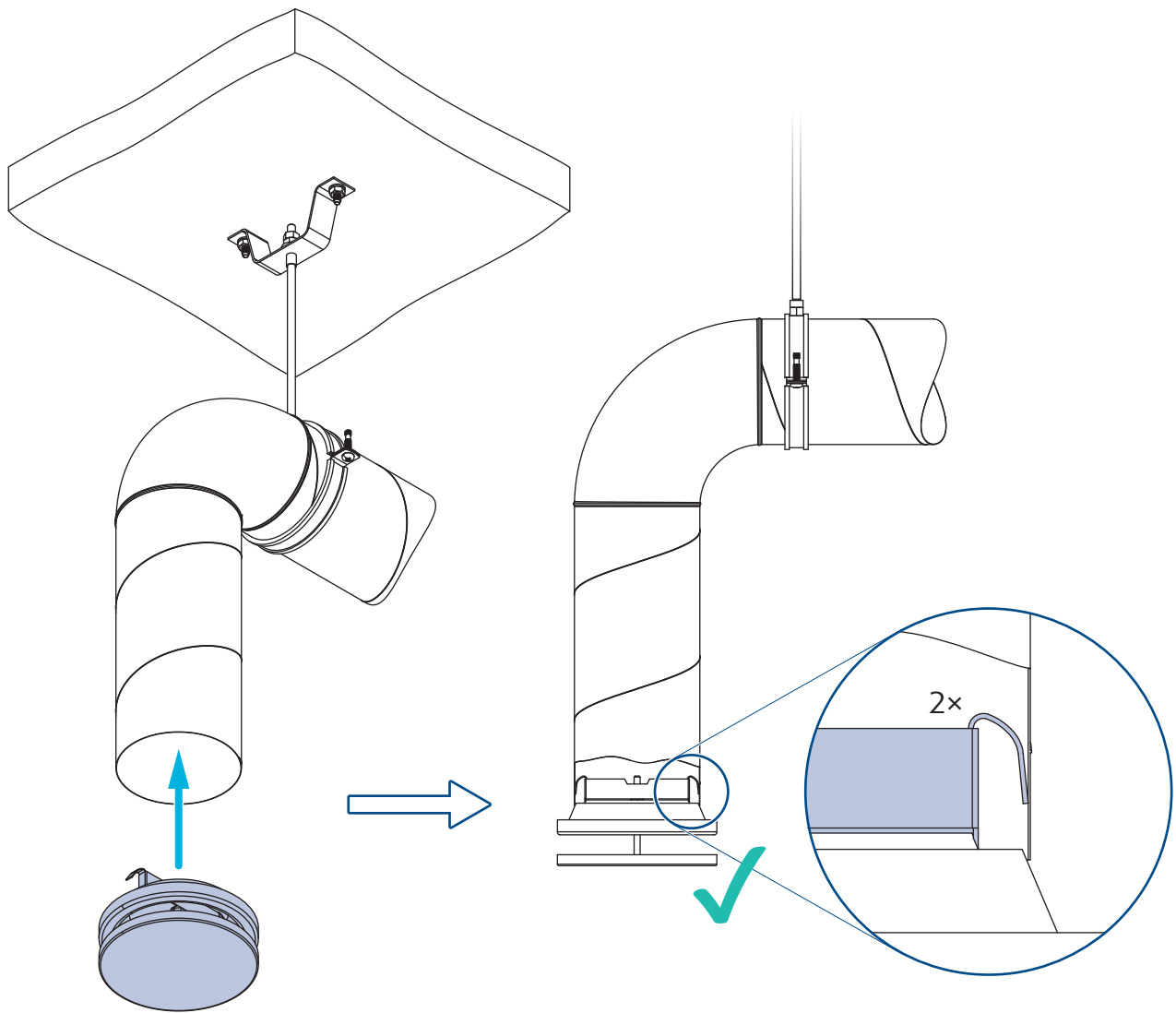


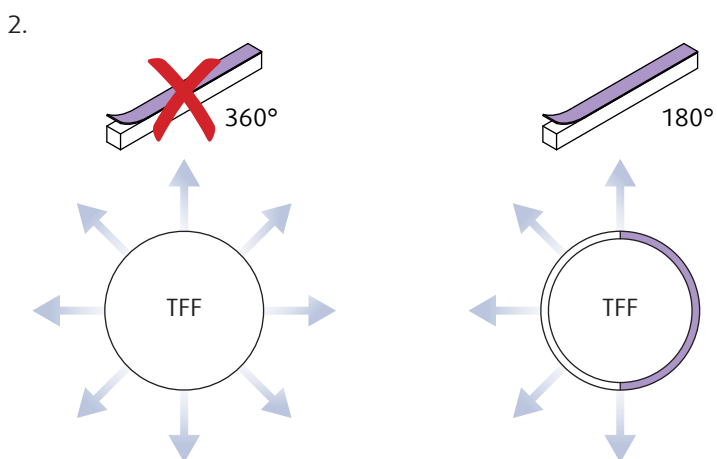
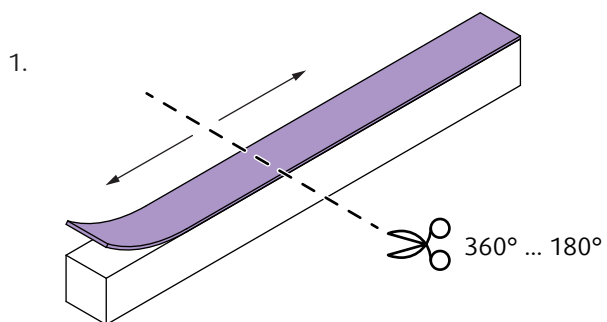
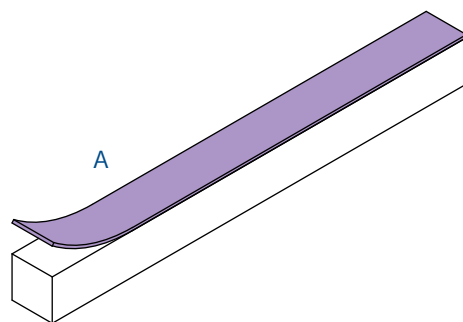
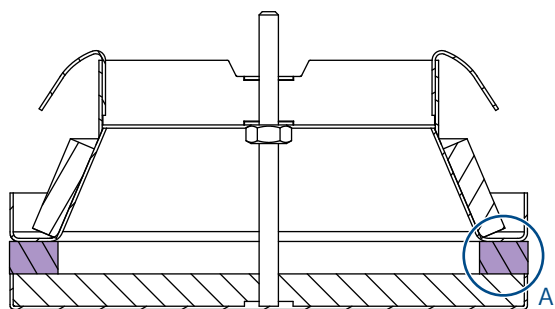
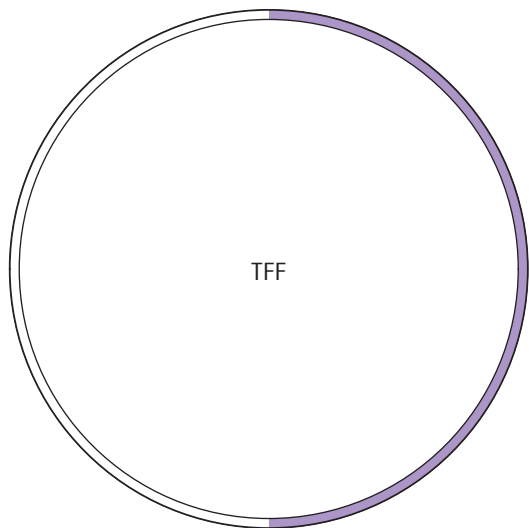
TFF-200-SW

Throw length (terminal velocity 0.2 m/s)

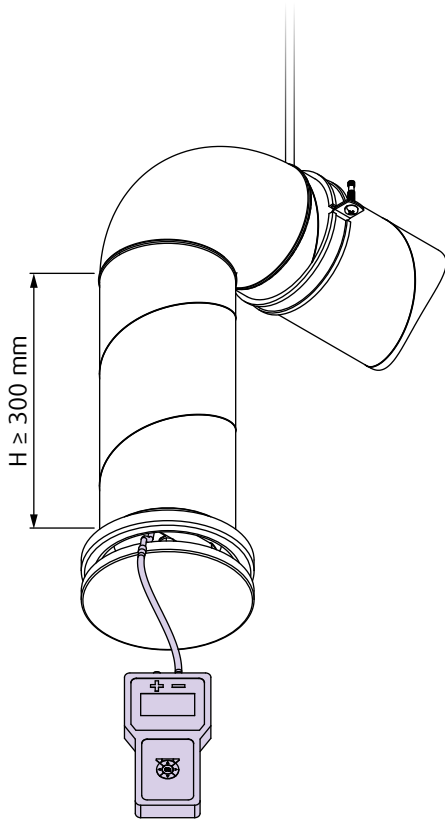


Installation

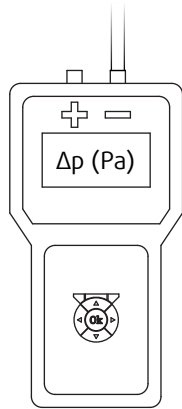
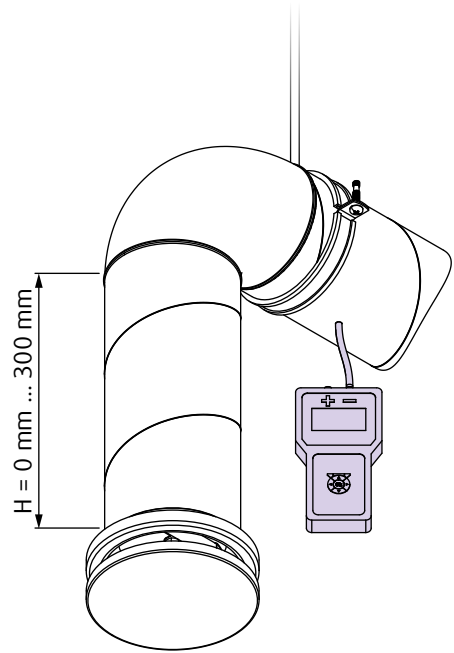




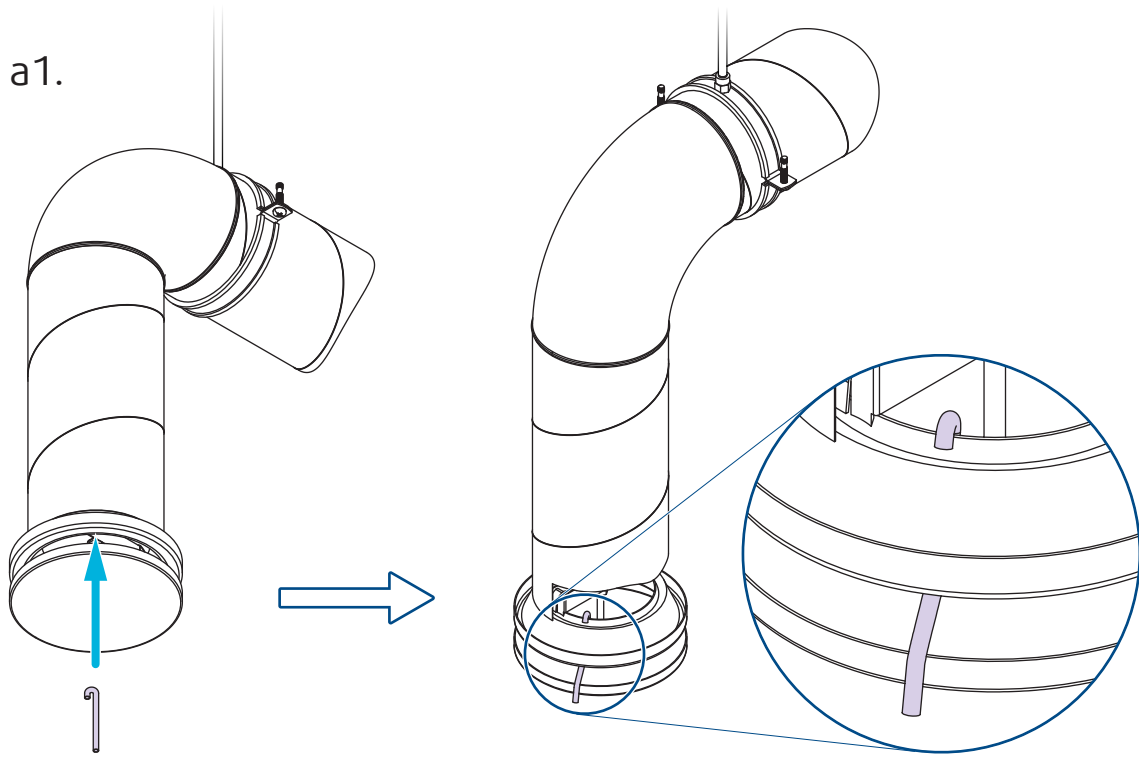
a



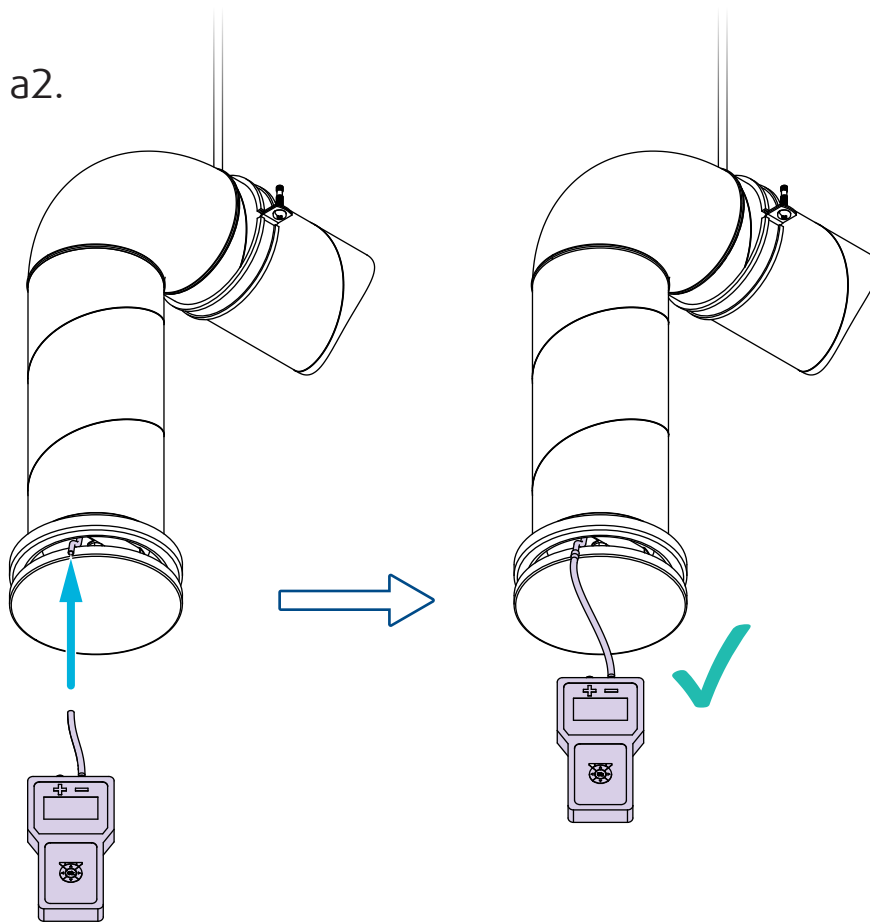
b



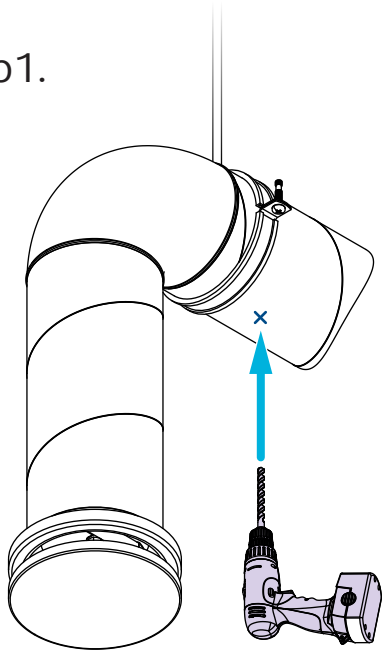
a1.



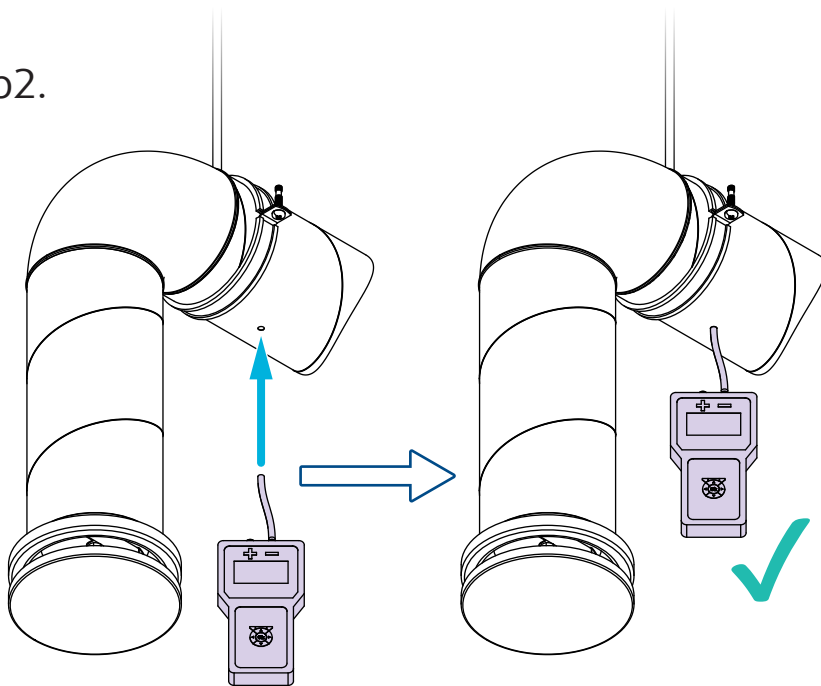
a2.

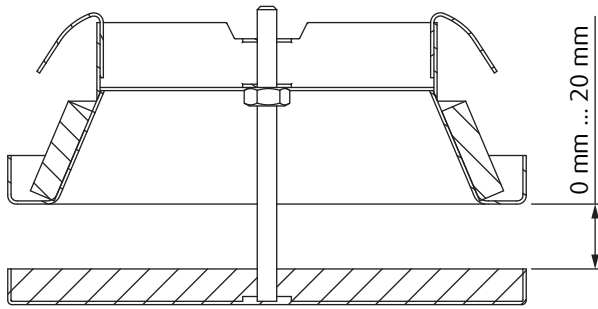


b1.

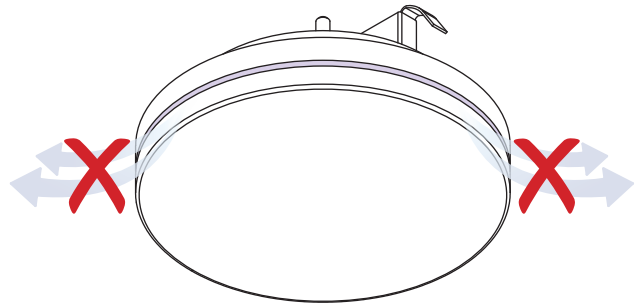
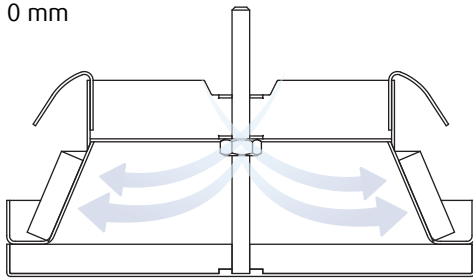


b2.

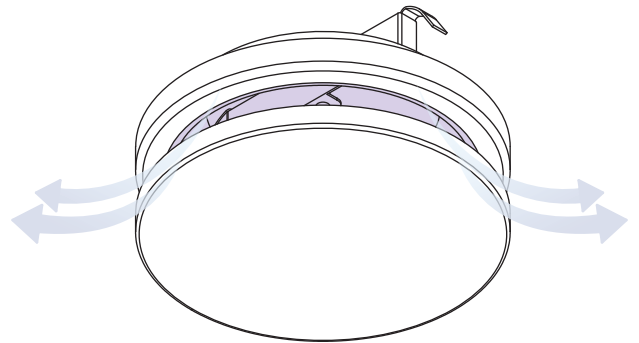
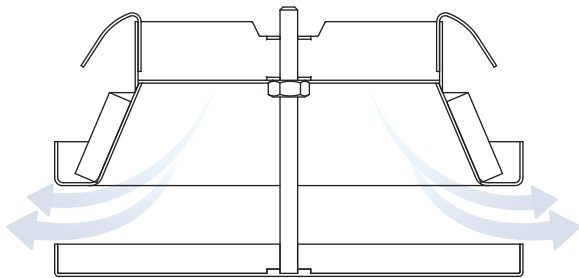




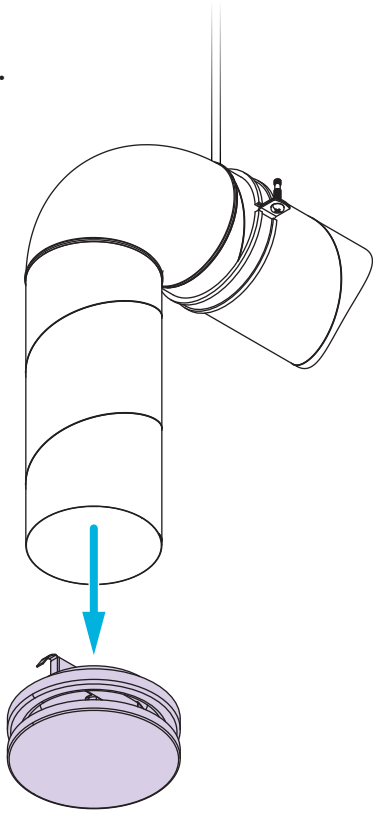
0 mm



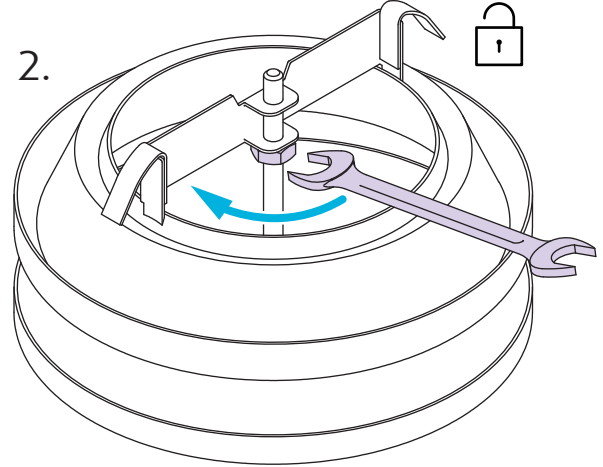
1 mm ... 20 mm



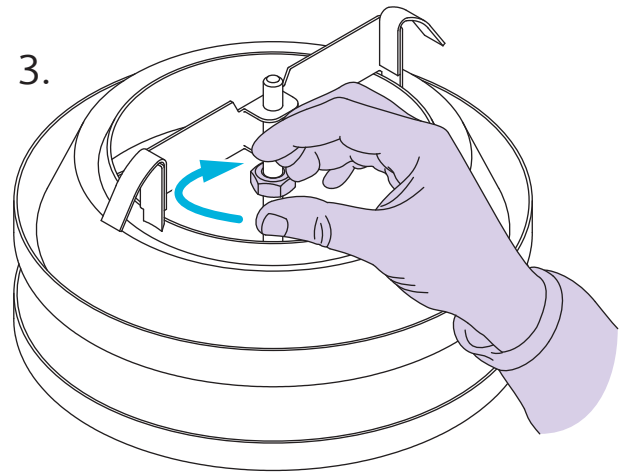
1.



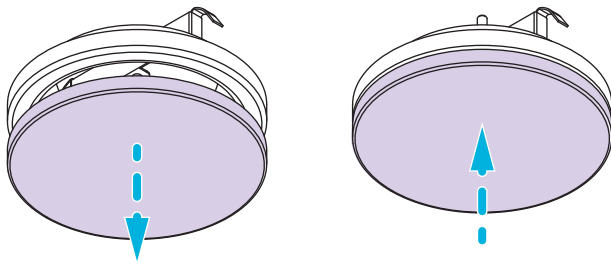
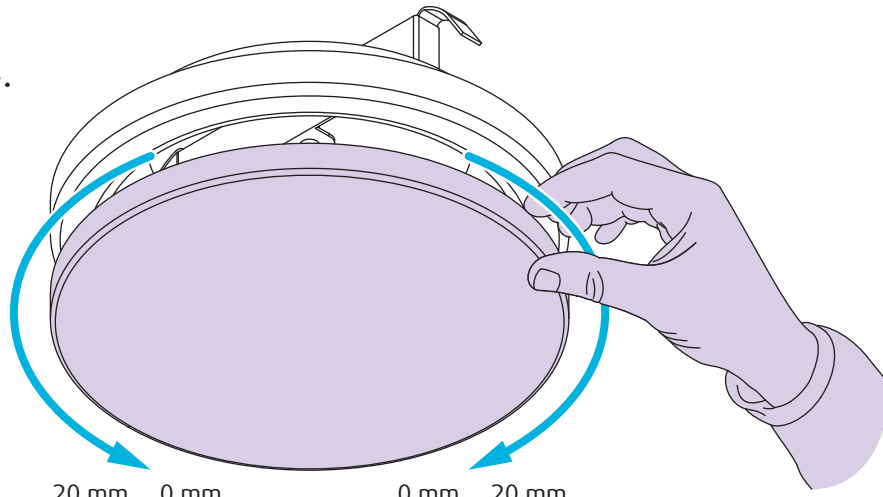
2.



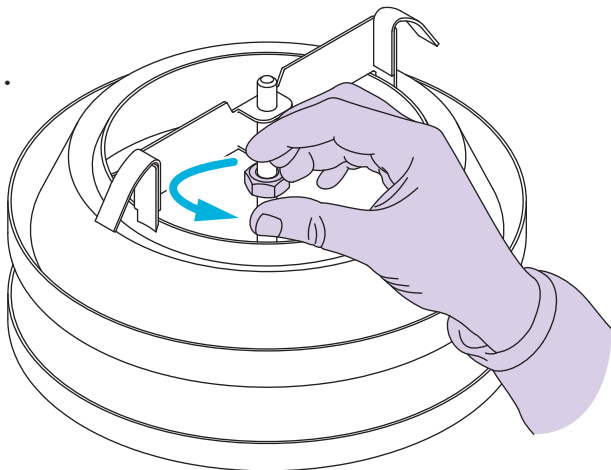
3.



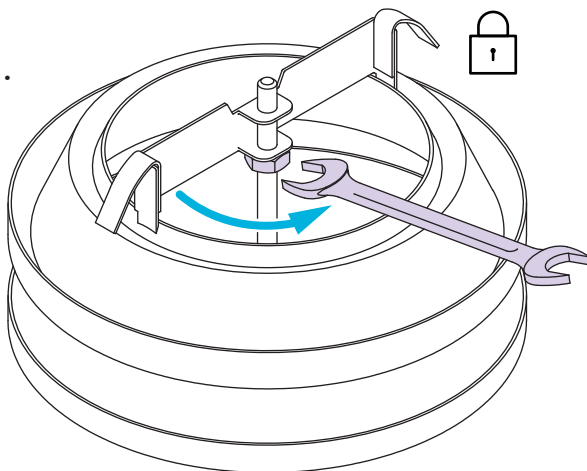
4.



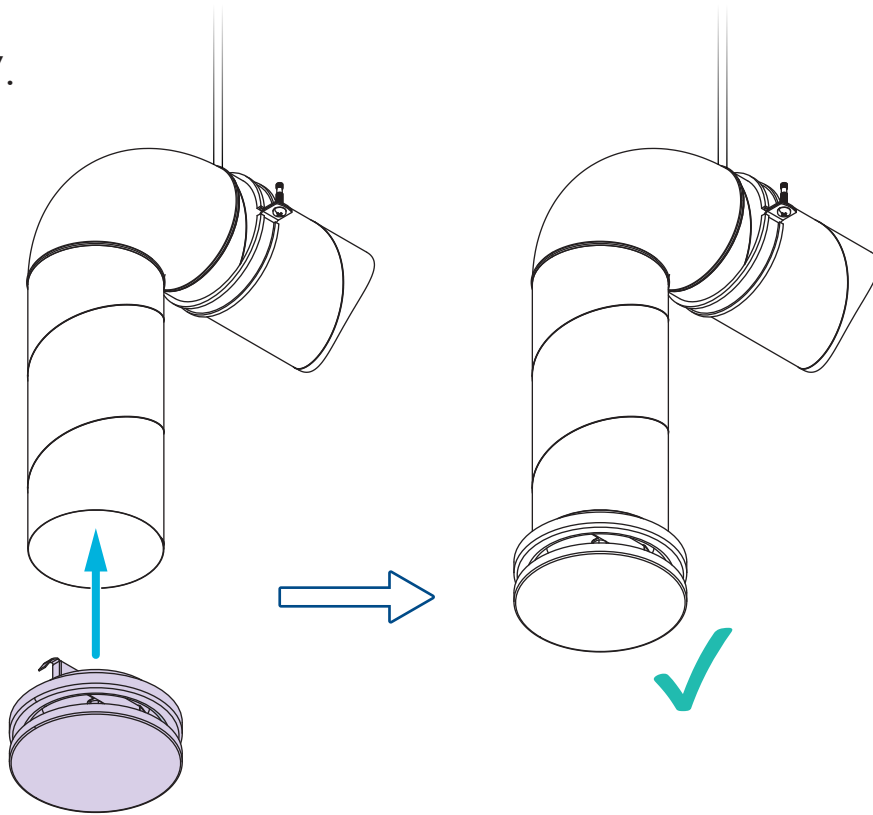
5.



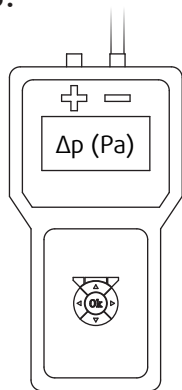
6.



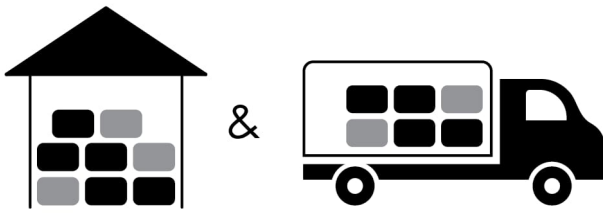
7.





8.




Transport, Storage and Operation




 °C -40 °C ... +50 °C

 % ≤ 95%



 °C -20 °C ... +70 °C

 % ≤ 95%

Supplement

Any deviations from the technical specifications contained herein and the terms should be discussed with the manufacturer. We reserve the right to make any changes to the product without prior notice, provided that these changes do not affect the quality of the product and the required parameters. Current information on all products is available on DESIGN.



Handbook_TFF_en-GB
design.systemair.com
www.systemair.com

© Copyright Systemair Production a.s
All rights reserved
E&OE

Systemair reserves the right to alter their products without notice.
This also applies to products already ordered, as long as it does not affect the previously agreed specifications.