

# TUNE-R for AHU

## Circular Air Flow Adjustment and Shut Off Damper



### Table of Content

Description .....	2
Design .....	2
Dimensions .....	3
Item Numbers .....	3
Technical Parameters .....	4
Installation, Maintenance & Operation .....	4
Transport and Storage .....	4
Supplement .....	4



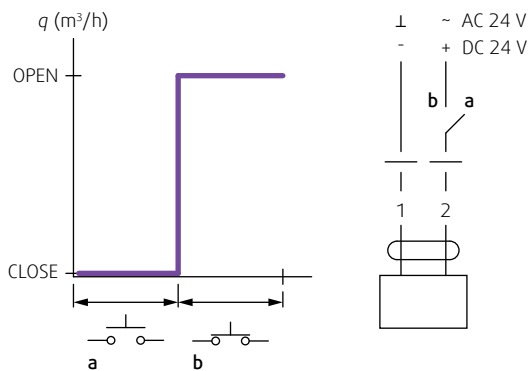
## Description

The TUNE-R, circular single-blade dampers are mainly intended as a part of air handling units and fan systems to cover the air flow tuning and tight shut-off functionalities. The dampers can be used in indoor and outdoor climate conditions installed on the body of TUNE-R or fan or in the circular duct. They are equipped by electric actuator with spring return to closed position in case of electric power interruption. Manual operation/adjustment is also possible. They can operate in both directions of air flow. The air tightness of the dampers is classified as C4 according to the standard EN 1751 in pressure range up to 1000 Pa which is the maximum recommended duct pressure for this product. The operation temperature range is -20°C ... 100°C in duct, 50°C on actuator.

## Design

TUNE-R dampers are constructed from galvanized steel sheet. The blade is equipped by rubber gasket eliminating leakage in closed position. The blade shaft is sitting in self-lubricating polymeric bearings. The connection of to the ductwork is sealed by rubber gaskets contributing to the casing tightness.

### Controls/Wiring



Power supply: AC 24 V/50 - 60 Hz or DC 24 V

Power consumption: 5 W (DC), 6 VA (AC)

Mechanical protection: IP 54

## Dimensions

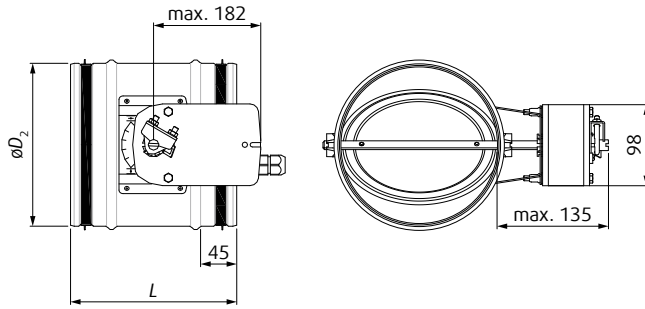


Fig. 1: Dimensions of the TUNE-R for AHU

Tab. 1: Dimensions of the TUNE-R for AHU

$\varnothing D_2$	Size	$L$	Shaft	$m$
	(mm)			(kg)
TUNE-R-200-3-LF24A	200	200	12 × 3	2,4
TUNE-R-250-3-LF24A	250	200		2,1
TUNE-R-315-3-LF24A	315	300		3,7
TUNE-R-400-3-NF24A	400	400	8 × 8	6,1
TUNE-R-500-3-NF24A	500			9,3
TUNE-R-630-3-NF24A	630			12,7

## Item Numbers

Name	Item No.
TUNE-R-200-3-LF24A	87582
TUNE-R-250-3-LF24A	79889
TUNE-R-315-3-LF24A	79890
TUNE-R-400-3-NF24A	79891
TUNE-R-500-3-NF24A	79892
TUNE-R-630-3-NF24A	79893

## Technical Parameters

### Legend

$p_s$	(Pa)	Pressure drop
$q_v$	(m <sup>3</sup> /h) (l/s)	Air flow volume
$L_{WA}$	(dB)	A-weighted total sound power level

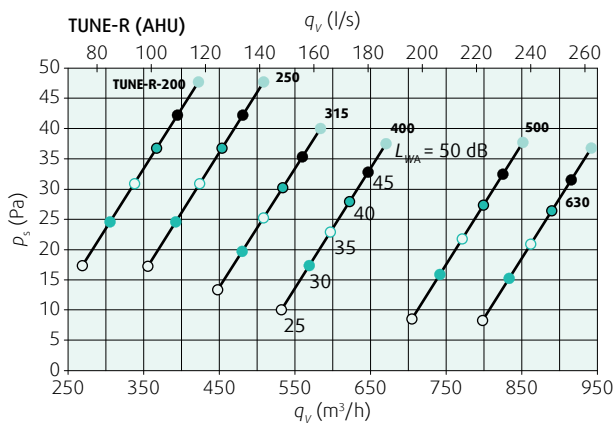


Diagram 1: Pressure drop & A-weighted total discharged sound power level depending on air flow volume; through open damper

## Installation, Maintenance and Operation

TUNE-R is mounted on AHU, FAN or in ductwork by a standard gasket connection. The damper cannot be installed carrying any mechanical loads from other structures. The damper can be installed in any spatial orientation.

Maintenance: Maintenance-free.

Operating temperature range: -30°C ... 50°C.

## Transport and Storage

Dry indoor conditions with temperature range - 40°C ... 80°C.

Humidity: 90 % RH, non condensing (EN60730-1)

## Supplement

Any deviations from the technical specifications contained herein and the terms should be discussed with the manufacturer. We reserve the right to make any changes to the product without prior notice, provided that these changes do not affect the quality of the product and the required parameters.

Current information on all products are available at [www.systemair.com](http://www.systemair.com)