

VVKR-F

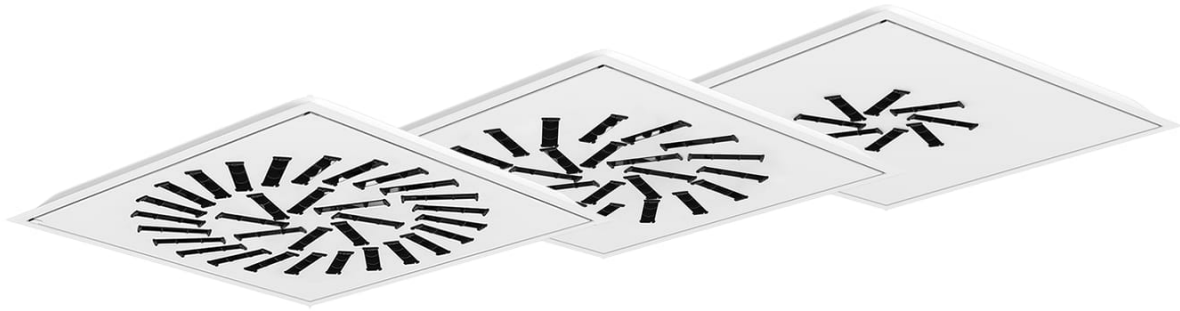
Diffuser, Compatible Accessory THOR-F

Handbook



Table of Contents

Description3
Dimensions & Weights5
Ordering Codes6
Accessories7
Technical Parameters17
Installation28
Transport, Storage and Operation39
Supplement40



Description

VVKR-F is a square swirl diffuser with adjustable deflectors for installation in T-bar suspended ceilings. It is intended for air supply and eventually can be used for air extract. The recommended installation height is up to 4 m. The field of application is offices, schools, medical premises, shops, halls and corridors.

Highlights

- Simple and safe design, easy installation and handling
- Operable also without plenum box, connected directly to duct bend or tee
- Variable air discharge patterns by deflectors adjustable from outside without tools
- Low installation space height requirements
- Well balanced ratio between air flow capacity, pressure drop and sound generation
- Excellent induction rate also at low air flow volumes

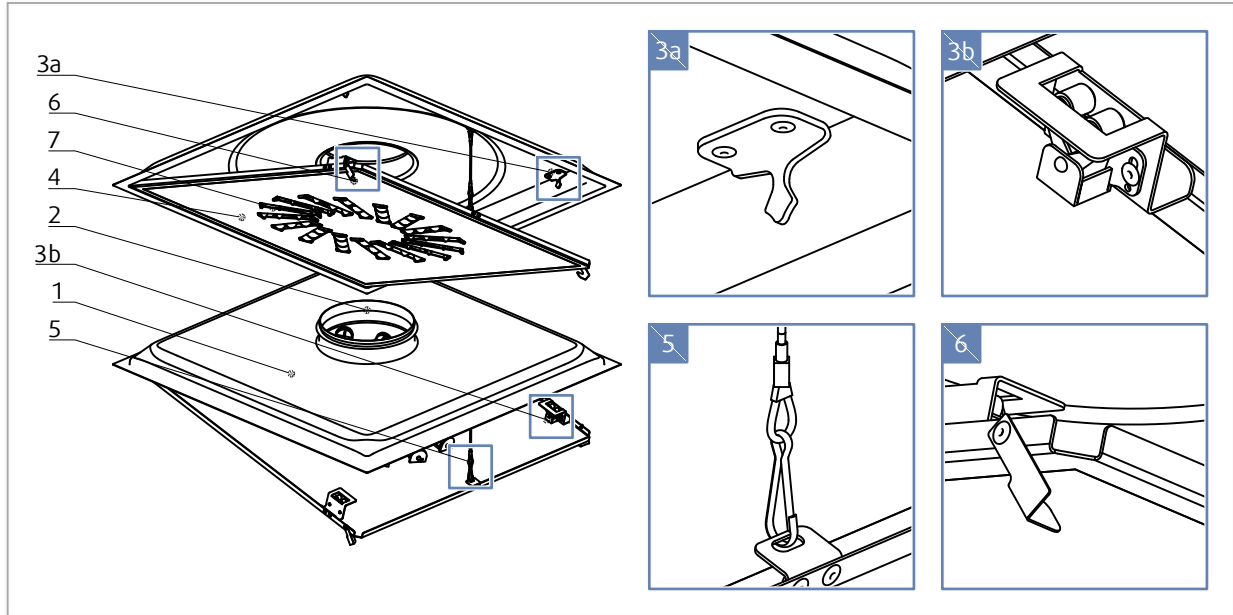
Accessories:

- THOR-F: Plenum Box
- THOR: Plenum Box
- THOR-E: Plenum Box
- CBO: Connection Box

Design

The VVKR-F is made from galvanized steel sheet with powder paint surface finish. It consists of the backing box with circular duct connection equipped by rubber gasket and the front plate with adjustable polymer deflectors. The outer shape of the backing box fits into T-bar ceiling frames with raster 600 mm or 625 mm. The front plate holds in the backing box by simple hinges on one side and by spring fixing brackets on the other side. The front plate can be opened or detached easily without tools. To prevent the free fall of the front plate during manipulation on the diffuser a safety string connects it detachably to the backing box. For easy opening of the front plate without tools there is a folding ear on the edge of the plate.

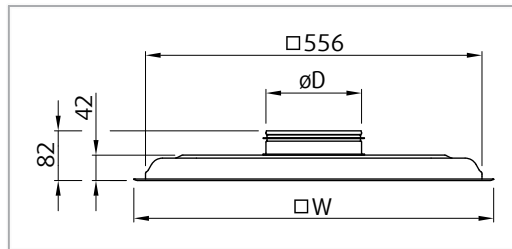
Product Parts



Legend

- 1 Backing box
- 2 Connection with rubber gasket
- 3 Spring clips for diffuser plate fixing (inside the backing box)
- 4 Diffuser plate
- 5 Safety cable (inside the backing box)
- 6 Commissioning tubes pull cut-outs
- 7 Adjustable deflectors

Dimensions & Weights



VVKR-F	DN	øD	□W	m
	mm			kg
125	123	595	4,6	
		620	4,8	
160	158	595	4,6	
		620	4,8	
200	198	595	4,6	
		620	4,8	
250	248	595	4,6	
		620	4,7	

Ordering Codes

Size - inlet \varnothing (mm)

125

160

200

250

T-bar ceiling raster (mm)

600

625

Surface finish

SW Signal white (RAL9003, gloss 30%)

RALxxxx Other colour powder coating

Example of the Ordering Code

VVKR-F-250-600-B-SW

Diffuser of connection size 250 mm, for T-bar ceiling with raster 600mm, black deflectors, signal white RAL9003.

Accessories

THOR-F

Plenum Box



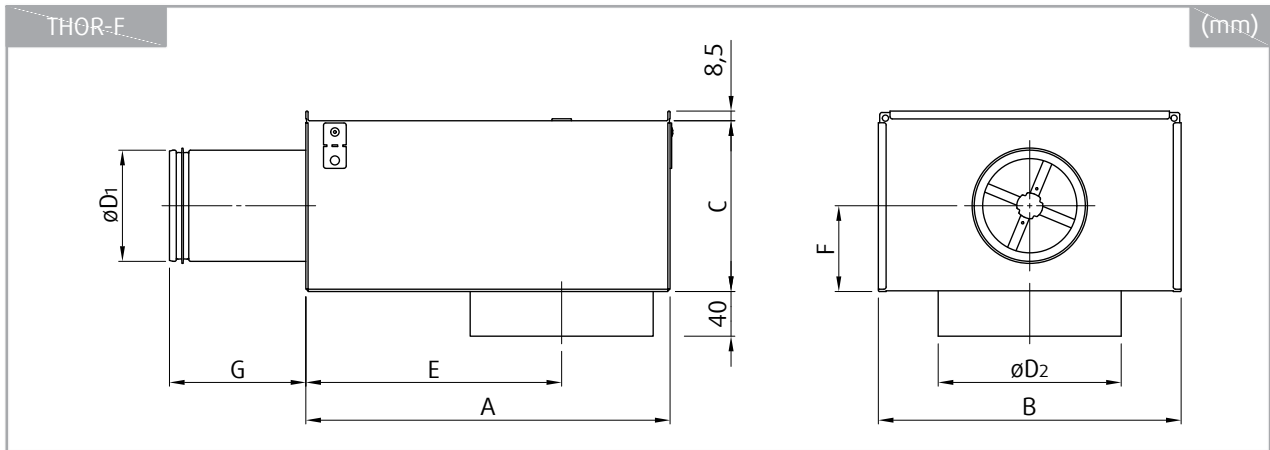
Description

The THOR-F plenum box is used together with air diffusers for pressure reduction, airflow balancing and sound attenuation as well as for measuring and adjusting the air flow. The plenum box can be used for air inlet and extract.

Design

THOR-F plenum boxes are manufactured from hot-dip galvanized sheet steel with inlet connection sleeve fitted with a rubber seal tested for air-tightness. The inlet is equipped by the damper with impulse tubes for measuring differential pressure for flow volume calculation, using a portable measuring device. It can be adjusted manually using a cable gearing.

Dimensions



THOR-F VVKR-F	A	B	C	$\varnothing D_1$	$\varnothing D_2$	E	F	G	m
	mm								kg
100-125	320	267	150	98	125	243	75	162	3,8
100-160	320	267	150	98	160	225	75	162	3,8
125-200	360	267	160	123	200	245	80	177	4,4
160-250	450	317	195	158	250	310	98	192	6,1

Ordering Codes

Nominal size: Inlet-Outlet

100-125

100-160

125-200

160-250

Example of the Ordering Code

THOR-F-100-125

Plenum box THOR-F with 100 mm circular inlet and 125 mm circular outlet (nominal dimensions).

THOR

Plenum Box



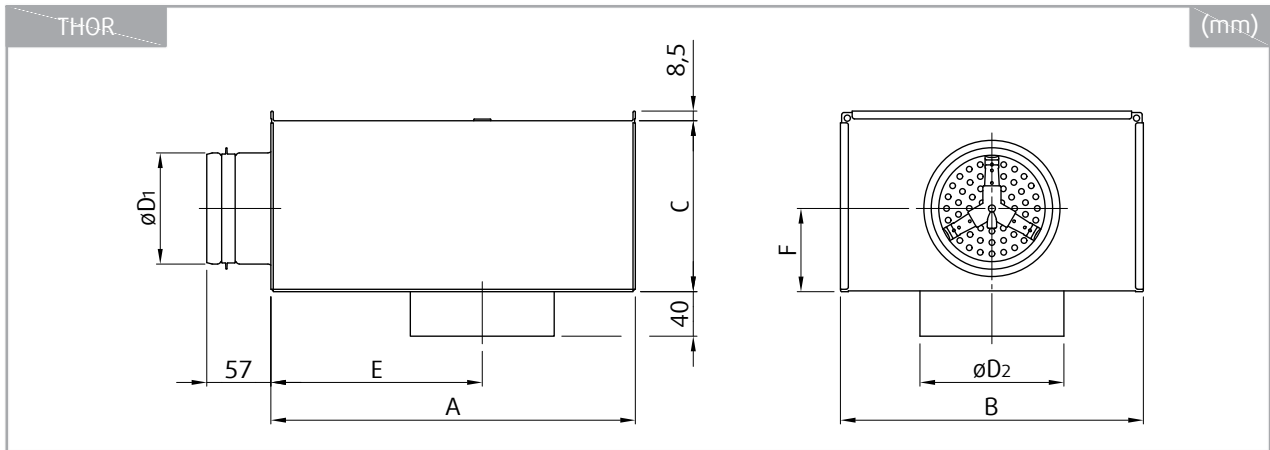
Description

The THOR plenum box is used together with air diffusers for pressure reduction, airflow balancing and sound attenuation as well as for measuring and adjusting the air flow. The plenum box can be used for air inlet and extract.

Design

THOR plenum boxes are manufactured from hot-dip galvanized sheet steel with inlet connection sleeve fitted with a rubber seal tested for air-tightness. The inlet is equipped by the ZEUS damper with impulse tubes for measuring differential pressure for flow volume calculation, using a portable measuring device. It can be adjusted manually using a cable gearing.

Dimensions



THOR	A	B	C	$\varnothing D_1$	$\varnothing D_2$	E	F	m
	mm							kg
100-125	320	267	150	98	126	185	75	2,5
125-160	360	267	160	123	161	210	80	2,9
160-200	450	317	195	158	201	280	98	4,0
200-250	500	367	250	198	251	305	125	5,4

Ordering Codes

Nominal size: Inlet-Outlet

100-125

125-160

160-200

200-250

Example of the Ordering Code

THOR-100-125

Plenum box THOR with 100 mm circular inlet and 125 mm circular outlet (nominal dimensions).

THOR-E

Plenum Box



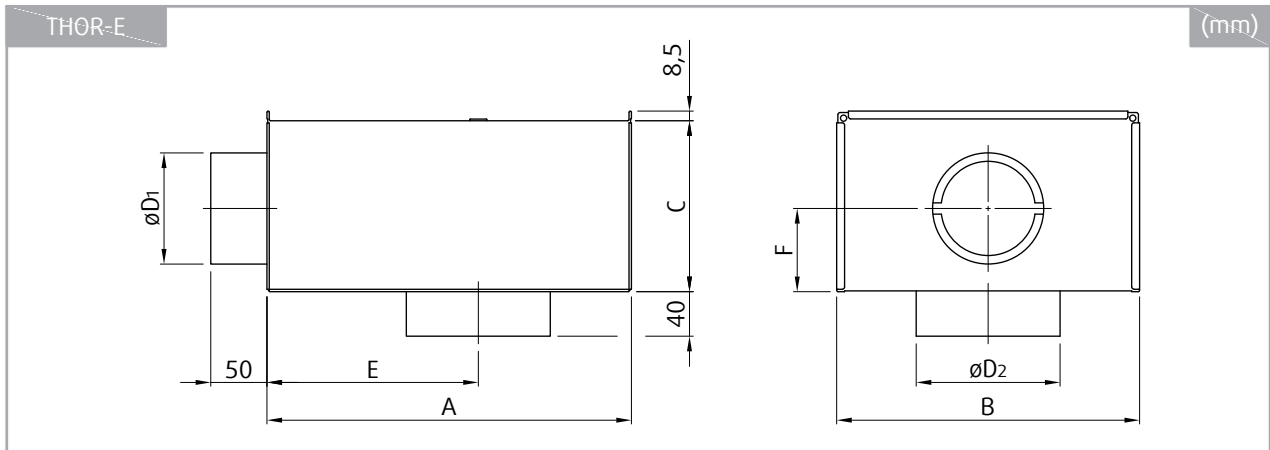
Description

The THOR-E plenum box is used together with air diffusers for pressure reduction, airflow balancing and sound attenuation as well as for adjusting the air flow. The plenum box can be used for air supply and extract.

Design

THOR-E plenum boxes are manufactured from hot-dip galvanized sheet steel with inlet connection sleeve without gasket. The inlet can be equipped by a simple sheet metal damper that is adjustable by pull-ropes from outside.

Dimensions



THOR-E	A	B	C	$\varnothing D_1$	$\varnothing D_2$	E	F	m
	mm							kg
100-125	320	267	150	98	126	185	75	2,3
125-160	360	267	160	123	161	210	80	2,6
160-200	450	317	195	158	201	280	98	3,7
200-250	500	367	250	198	251	305	125	4,9

Ordering Codes

Nominal size: Inlet-Outlet

100-125

125-160

160-200

200-250

Damper

D1 Adjustment damper

- Without damper

Example of the Ordering Code

THOR-E-100-125-D1

Plenum box THOR-E with 100 mm circular inlet and 125 mm circular outlet (nominal dimensions) with damper.

CBO

Connection Box



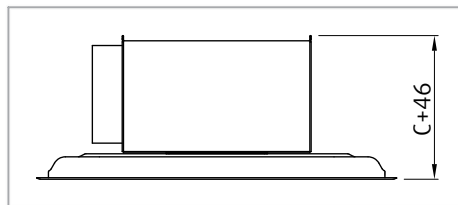
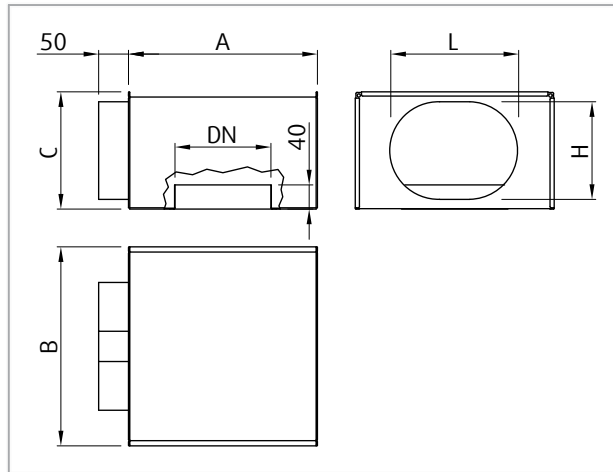
Description

CBO is a connection box for the diffusers. It is recommended for use in installations with limited vertical space. It connects the diffuser with the horizontal duct so that the needed installation space height is less than 285 mm for the largest nominal size.

Design

CBO is made from galvanized steel sheet. It has an immersed circular connection with nominal size for the diffuser. The duct connection of larger nominal sizes has oval shape that reduces the required installation height profile.

Dimensions



CBO (VVKR-F)	DN	A	B	C	L	H	m
	mm						kg
	125	212	196	158	∅123		1,3
	160	247	231	193	∅158		1,8
	200	287	271	233	∅198		2,4
	250	337	319	233	277	198	2,9

Ordering Codes

Nominal outlet size \varnothing (mm)

125

160

200

250

Example of the Ordering Code

CBO-125

Connection box CBO with 125 mm circular outlet (nominal dimensions).

Technical Parameters

Legend

p_s (Pa) Pressure drop

q_v (m³/h or l/s) Air flow volume

L_{WA} (dB(A)) A-weighted total radiated sound power level

L_{pA} (dB(A)) A-weighted total sound pressure level expressed for 10 m² room absorption area

L_W (dB) Non weighted total sound power level

$L_{0,2}$ (m) Air throw length with terminal velocity 0,2 m/s

L_x (m) Air throw length calculated for specific terminal velocity

x (m/s) Terminal velocity in range of 0,1 m/s ... 1 m/s

0%, 20%, 40%, 60%, 80%, 100% The plenum box damper positions in pressure drop/noise diagrams are represented as percentage. In case of THOR-E, 0% is fully closed damper. In case of THOR-F and THOR, 20% is fully closed damper. 100% is fully open damper.

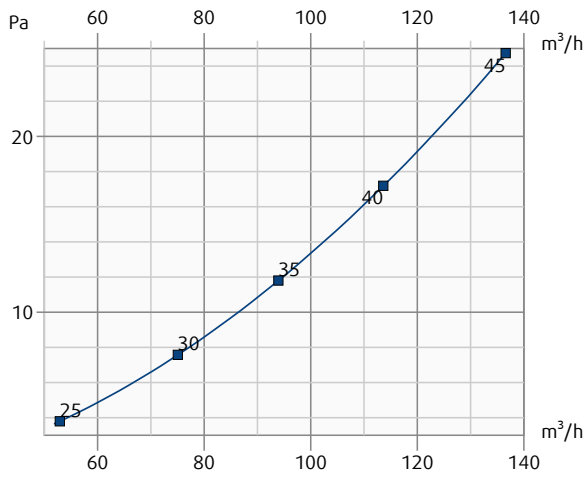
Calculation of Air Throw for Different Terminal Velocities

$$L_x = L_{0,2} \cdot 0,2/x$$

Pressure drop and radiated sound power level dependent on air flow volume. Connected directly to the duct.
 Throw length with terminal velocity 0,2 m/s dependent on air flow volume.

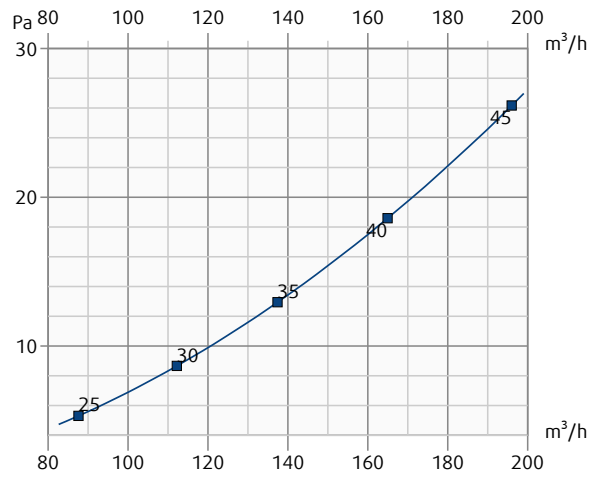
VVKR-F-125-600-8-B-SW

Pressure drop & A-weighted sound power level in dB(A)



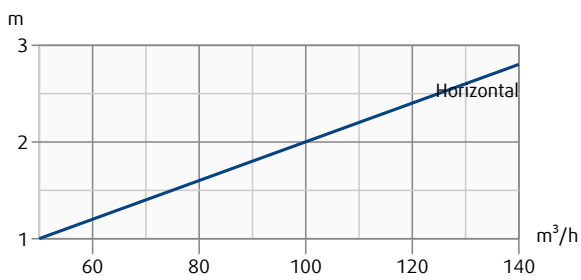
VVKR-F-160-600-16-B-SW

Pressure drop & A-weighted sound power level in dB(A)



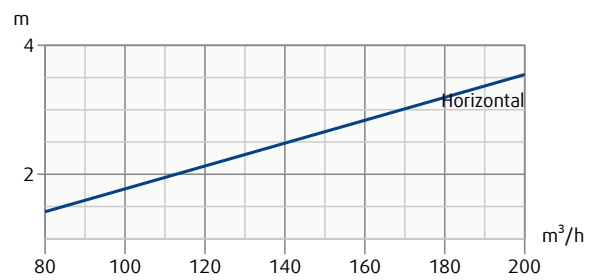
VVKR-F-125-600-8-B-SW

Throw length (terminal velocity 0.2 m/s)



VVKR-F-160-600-16-B-SW

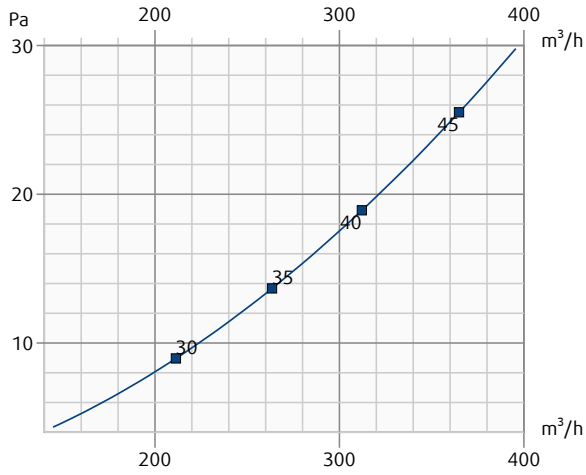
Throw length (terminal velocity 0.2 m/s)



Pressure drop and radiated sound power level dependent on air flow volume. Connected directly to the duct.
 Throw length with terminal velocity 0,2 m/s dependent on air flow volume.

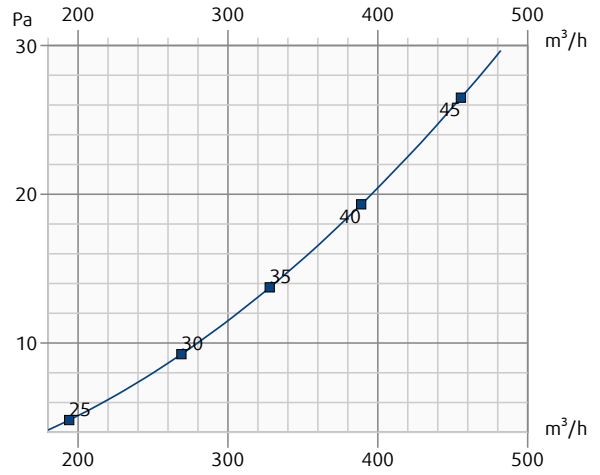
VVKR-F-200-600-24-B-SW

Pressure drop & A-weighted sound power level in dB(A)



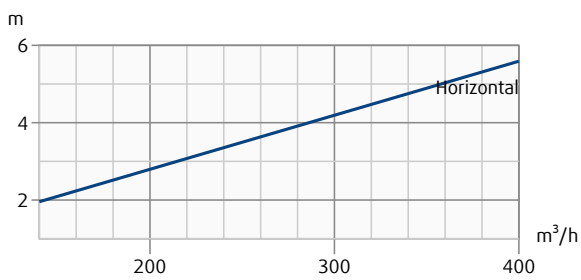
VVKR-F-250-600-32-B-SW

Pressure drop & A-weighted sound power level in dB(A)



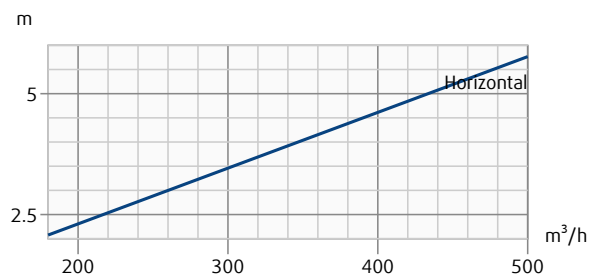
VVKR-F-200-600-24-B-SW

Throw length (terminal velocity 0.2 m/s)



VVKR-F-250-600-32-B-SW

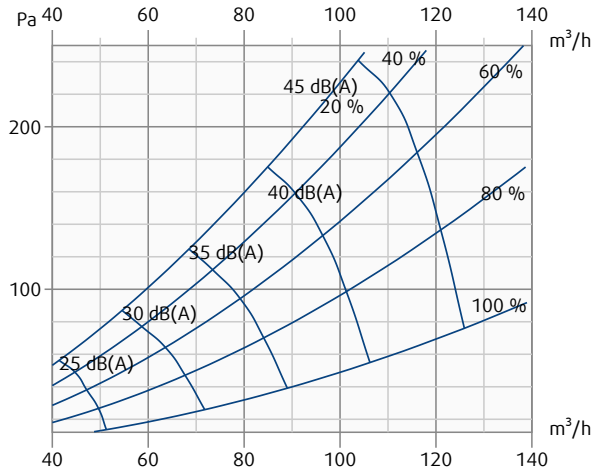
Throw length (terminal velocity 0.2 m/s)



Pressure drop and radiated sound power level dependent on air flow volume, measured with THOR-F plenum box.
 Throw length with terminal velocity 0,2 m/s dependent on air flow volume.

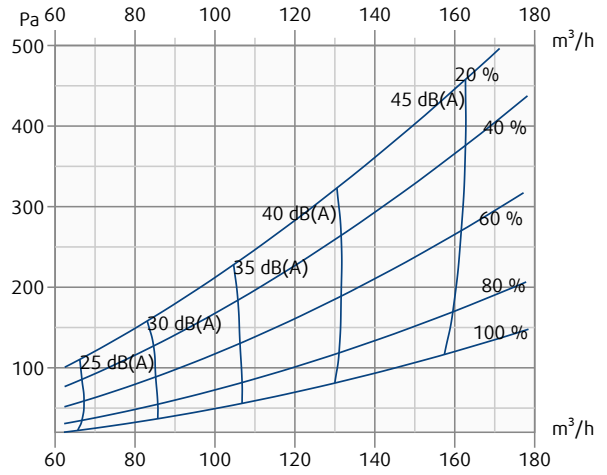
VVKR-F-125-600-8-B-SW + THOR-F-100-125

Pressure drop & A-weighted sound power level in dB(A)



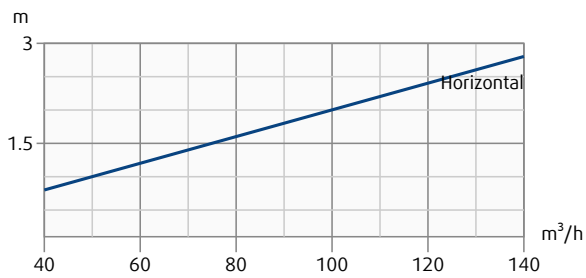
VVKR-F-160-600-16-B-SW + THOR-F-100-160

Pressure drop & A-weighted sound power level in dB(A)



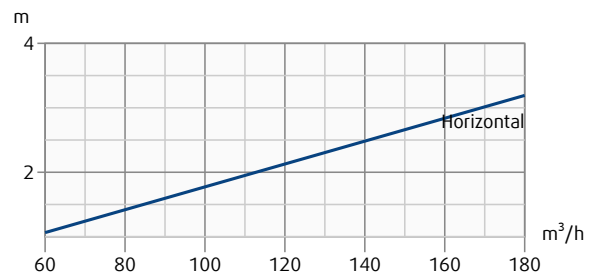
VVKR-F-125-600-8-B-SW + THOR-F-100-125

Throw length (terminal velocity 0.2 m/s)



VVKR-F-160-600-16-B-SW + THOR-F-100-160

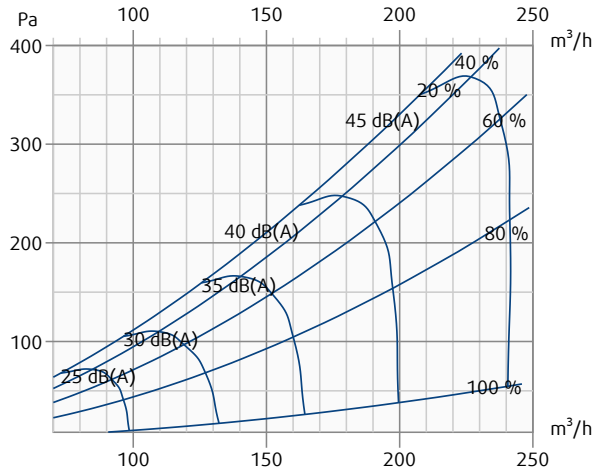
Throw length (terminal velocity 0.2 m/s)



Pressure drop and radiated sound power level dependent on air flow volume, measured with THOR-F plenum box.
 Throw length with terminal velocity 0,2 m/s dependent on air flow volume.

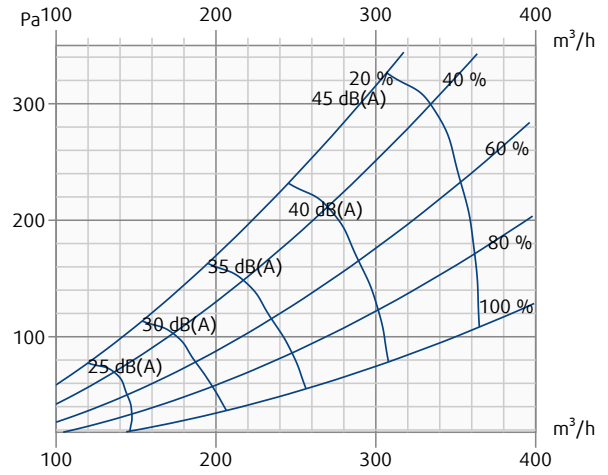
VVKR-F-200-600-24-B-SW + THOR-F-125-200

Pressure drop & A-weighted sound power level in dB(A)



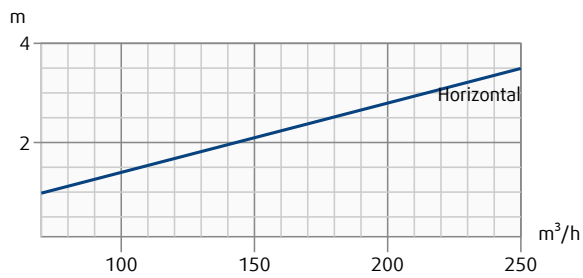
VVKR-F-250-600-32-B-SW + THOR-F-160-250

Pressure drop & A-weighted sound power level in dB(A)



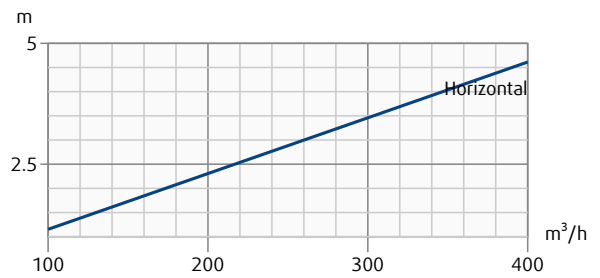
VVKR-F-200-600-24-B-SW + THOR-F-125-200

Throw length (terminal velocity 0.2 m/s)



VVKR-F-250-600-32-B-SW + THOR-F-160-250

Throw length (terminal velocity 0.2 m/s)

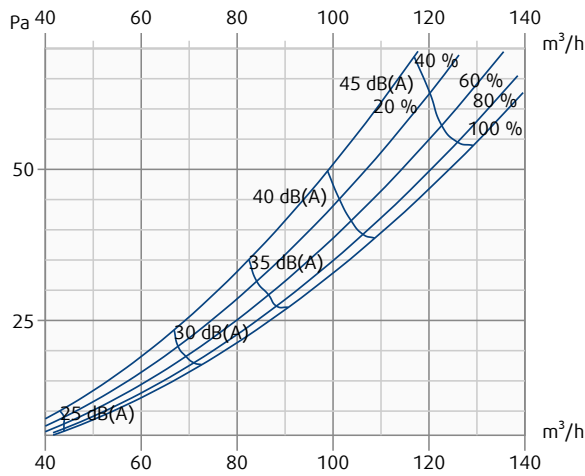


Pressure drop and radiated sound power level dependent on air flow volume, measured with THOR plenum box.

Throw length with terminal velocity 0,2 m/s dependent on air flow volume.

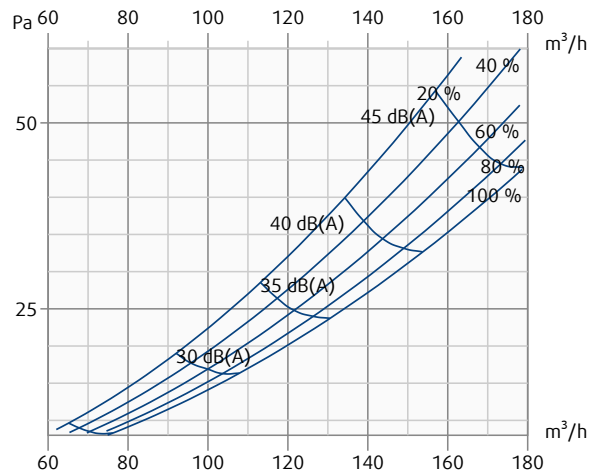
VVKR-F-125-600-8-B-SW + THOR-100-125

Pressure drop & A-weighted sound power level in dB(A)



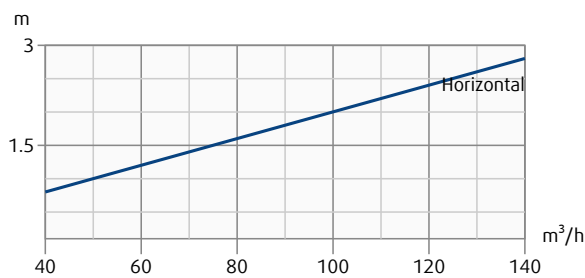
VVKR-F-160-600-16-B-SW + THOR-125-160

Pressure drop & A-weighted sound power level in dB(A)



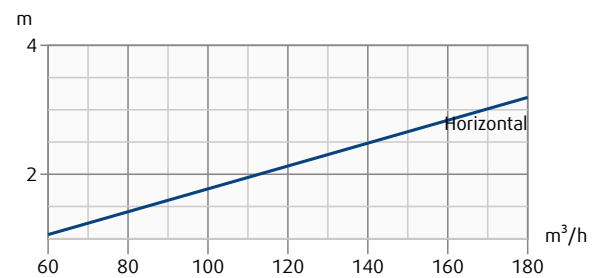
VVKR-F-125-600-8-B-SW + THOR-100-125

Throw length (terminal velocity 0.2 m/s)



VVKR-F-160-600-16-B-SW + THOR-125-160

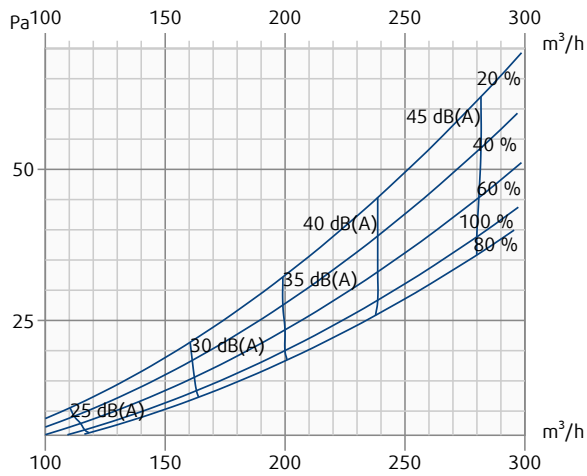
Throw length (terminal velocity 0.2 m/s)



Pressure drop and radiated sound power level dependent on air flow volume, measured with THOR plenum box.
 Throw length with terminal velocity 0,2 m/s dependent on air flow volume.

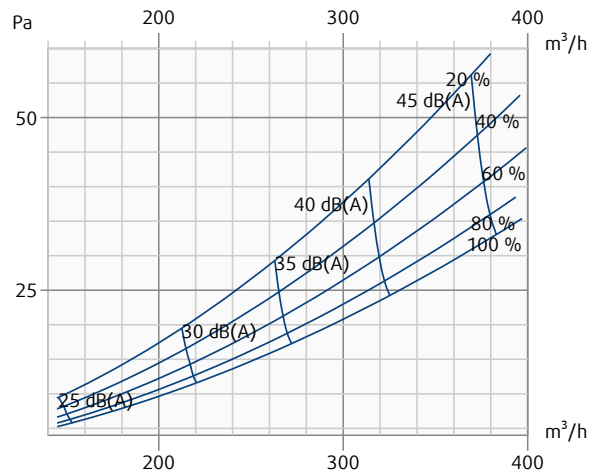
VVKR-F-200-600-24-B-SW + THOR-160-200

Pressure drop & A-weighted sound power level in dB(A)



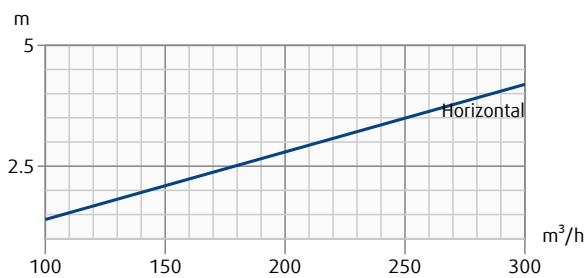
VVKR-F-250-600-32-B-SW + THOR-200-250

Pressure drop & A-weighted sound power level in dB(A)



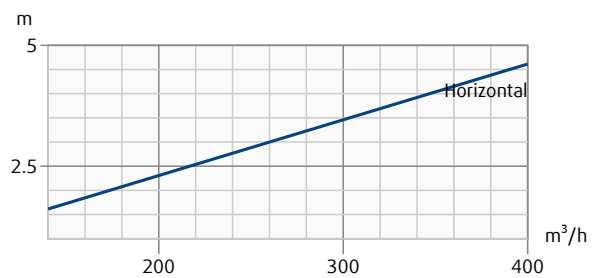
VVKR-F-200-600-24-B-SW + THOR-160-200

Throw length (terminal velocity 0.2 m/s)



VVKR-F-250-600-32-B-SW + THOR-200-250

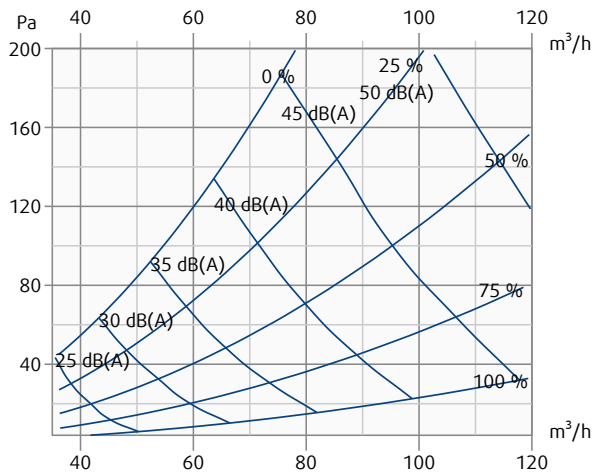
Throw length (terminal velocity 0.2 m/s)



Pressure drop and radiated sound power level dependent on air flow volume, measured with THOR-E plenum box.
 Throw length with terminal velocity 0,2 m/s dependent on air flow volume.

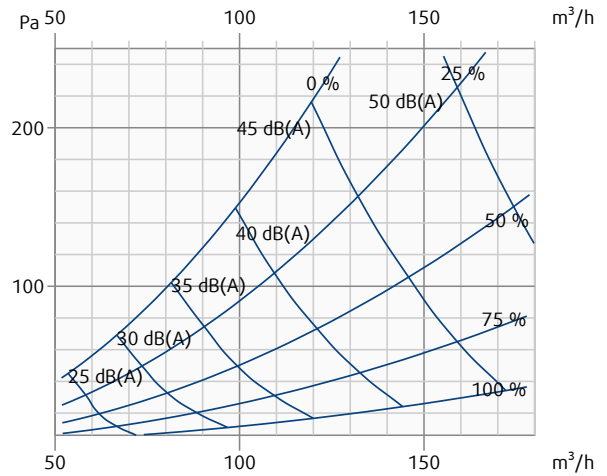
VVKR-F-125-600-8-B-SW + THOR-E-100-125

Pressure drop & A-weighted sound power level in dB(A)



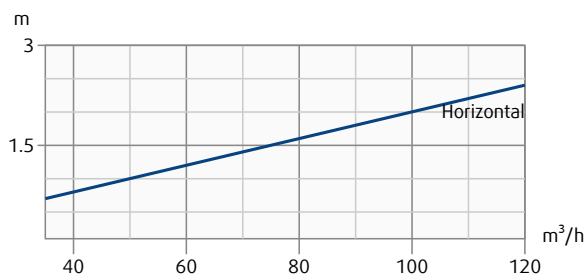
VVKR-F-160-600-16-B-SW + THOR-E-125-160

Pressure drop & A-weighted sound power level in dB(A)



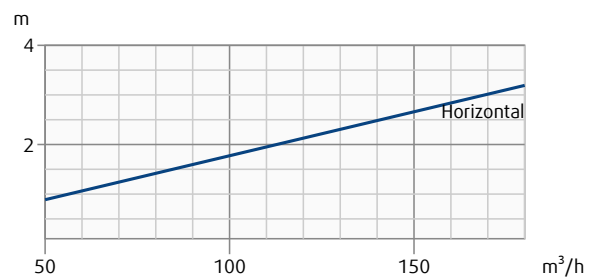
VVKR-F-125-600-8-B-SW + THOR-E-100-125

Throw length (terminal velocity 0.2 m/s)



VVKR-F-160-600-16-B-SW + THOR-E-125-160

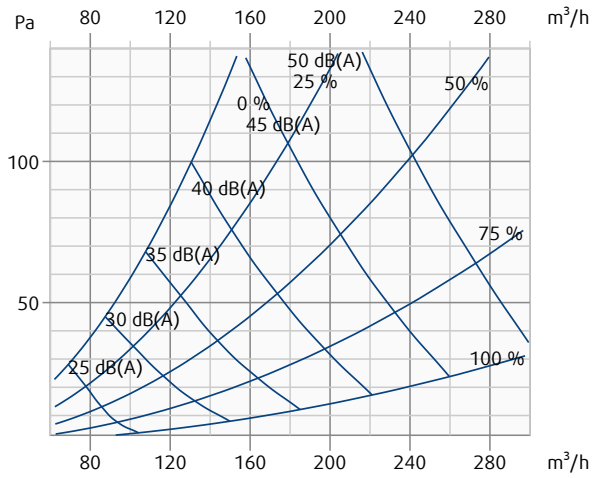
Throw length (terminal velocity 0.2 m/s)



Pressure drop and radiated sound power level dependent on air flow volume, measured with THOR-E plenum box.
 Throw length with terminal velocity 0,2 m/s dependent on air flow volume.

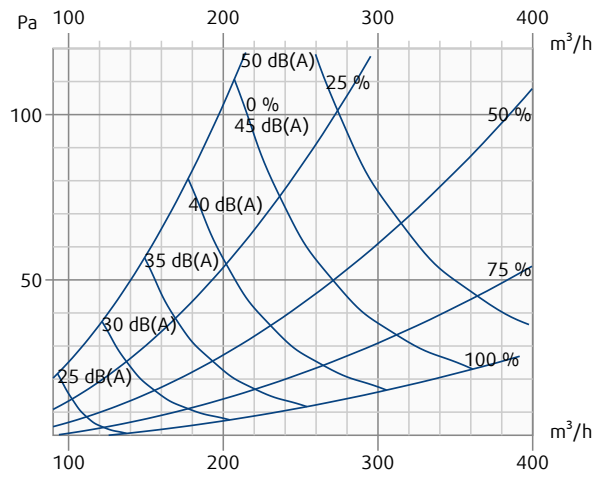
VVKR-F-200-600-24-B-SW + THOR-E-160-200

Pressure drop & A-weighted sound power level in dB(A)



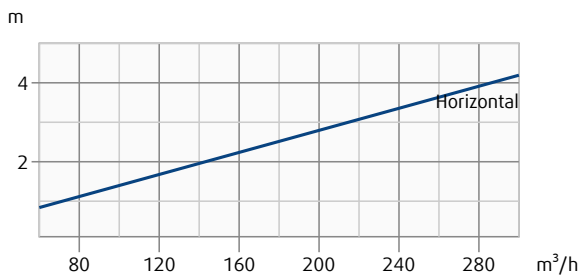
VVKR-F-250-600-32-B-SW + THOR-E-200-250

Pressure drop & A-weighted sound power level in dB(A)



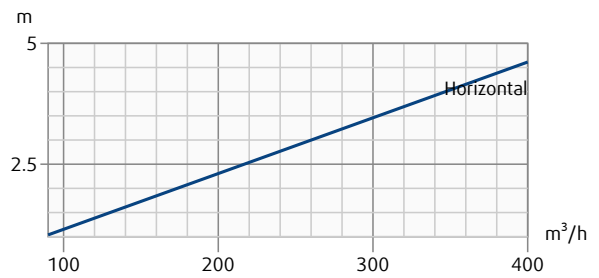
VVKR-F-200-600-24-B-SW + THOR-E-160-200

Throw length (terminal velocity 0.2 m/s)



VVKR-F-250-600-32-B-SW + THOR-E-200-250

Throw length (terminal velocity 0.2 m/s)

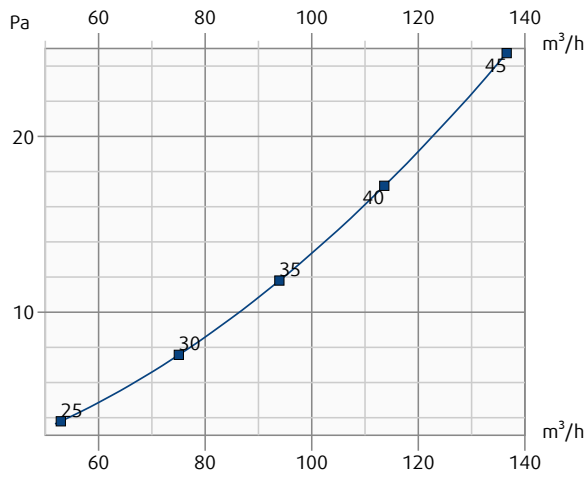


Pressure drop and radiated sound power level dependent on air flow volume, measured with CBO plenum box.

Throw length with terminal velocity 0,2 m/s dependent on air flow volume.

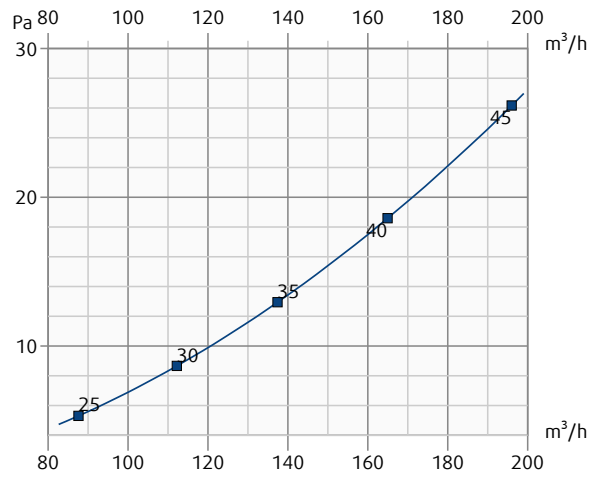
VVKR-F-125-600-8-B-SW + CBO-125

Pressure drop & A-weighted sound power level in dB(A)



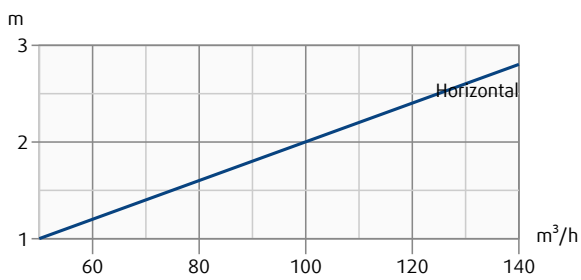
VVKR-F-160-600-16-B-SW + CBO-160

Pressure drop & A-weighted sound power level in dB(A)



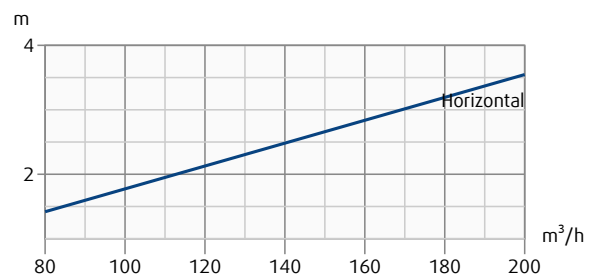
VVKR-F-125-600-8-B-SW + CBO-125

Throw length (terminal velocity 0.2 m/s)



VVKR-F-160-600-16-B-SW + CBO-160

Throw length (terminal velocity 0.2 m/s)

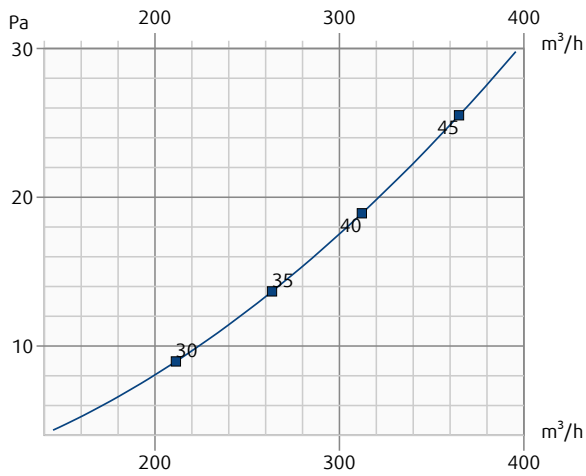


Pressure drop and radiated sound power level dependent on air flow volume, measured with CBO plenum box.

Throw length with terminal velocity 0,2 m/s dependent on air flow volume.

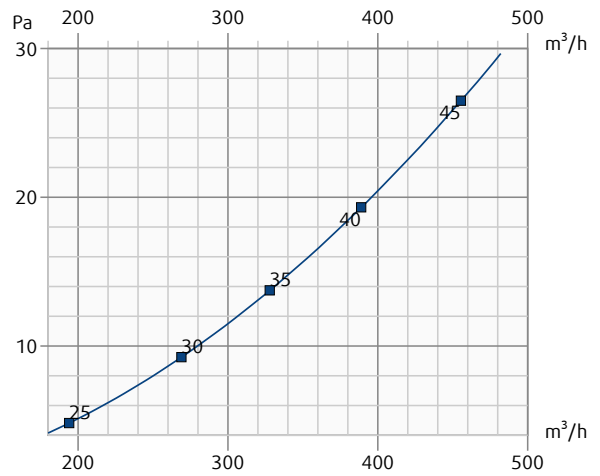
VVKR-F-200-600-24-B-SW + CBO-200

Pressure drop & A-weighted sound power level in dB(A)



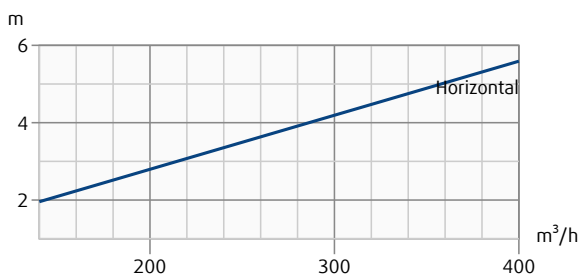
VVKR-F-250-600-32-B-SW + CBO-250

Pressure drop & A-weighted sound power level in dB(A)



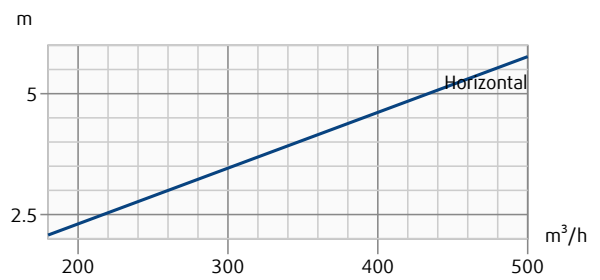
VVKR-F-200-600-24-B-SW + CBO-200

Throw length (terminal velocity 0.2 m/s)

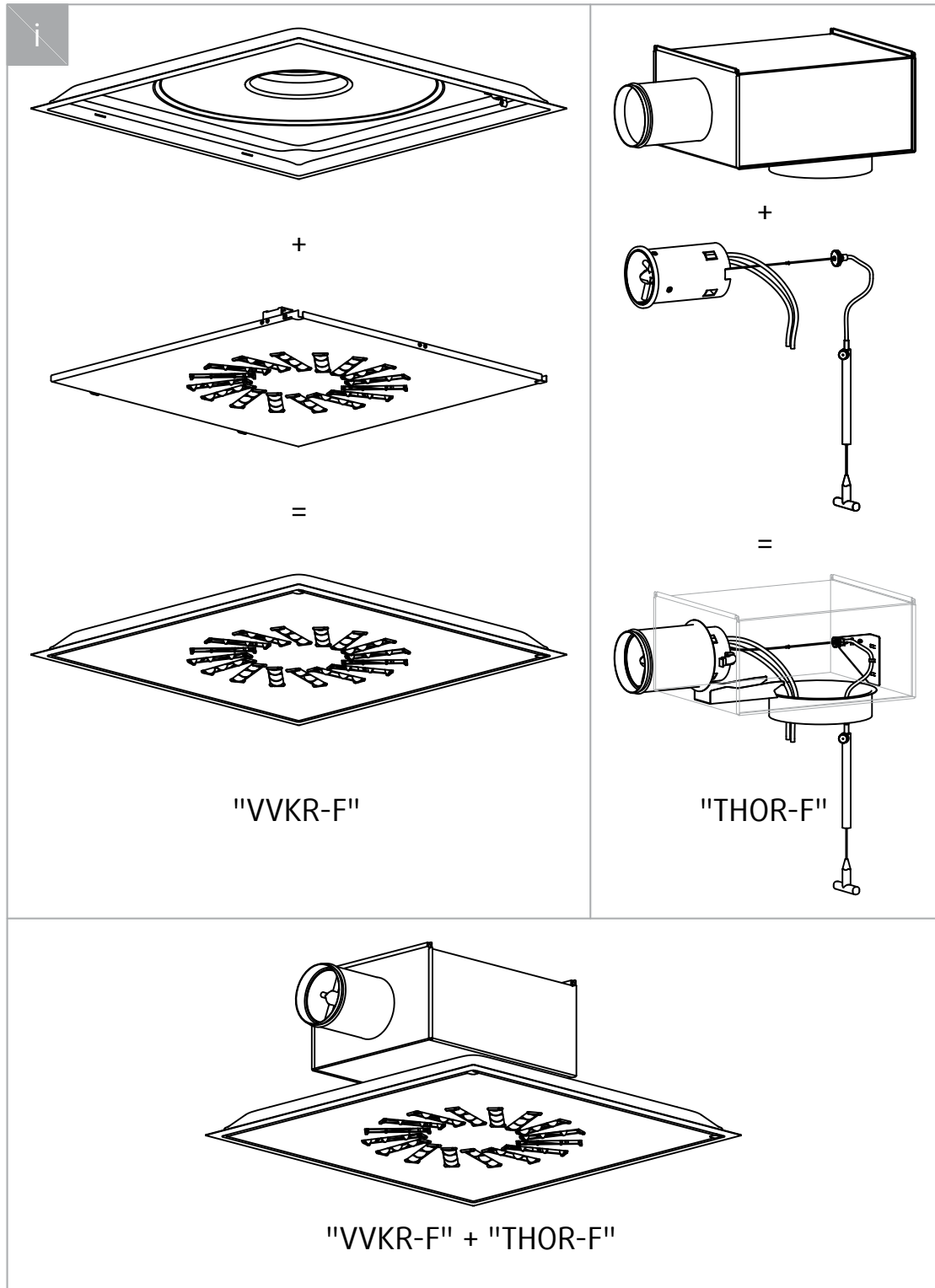


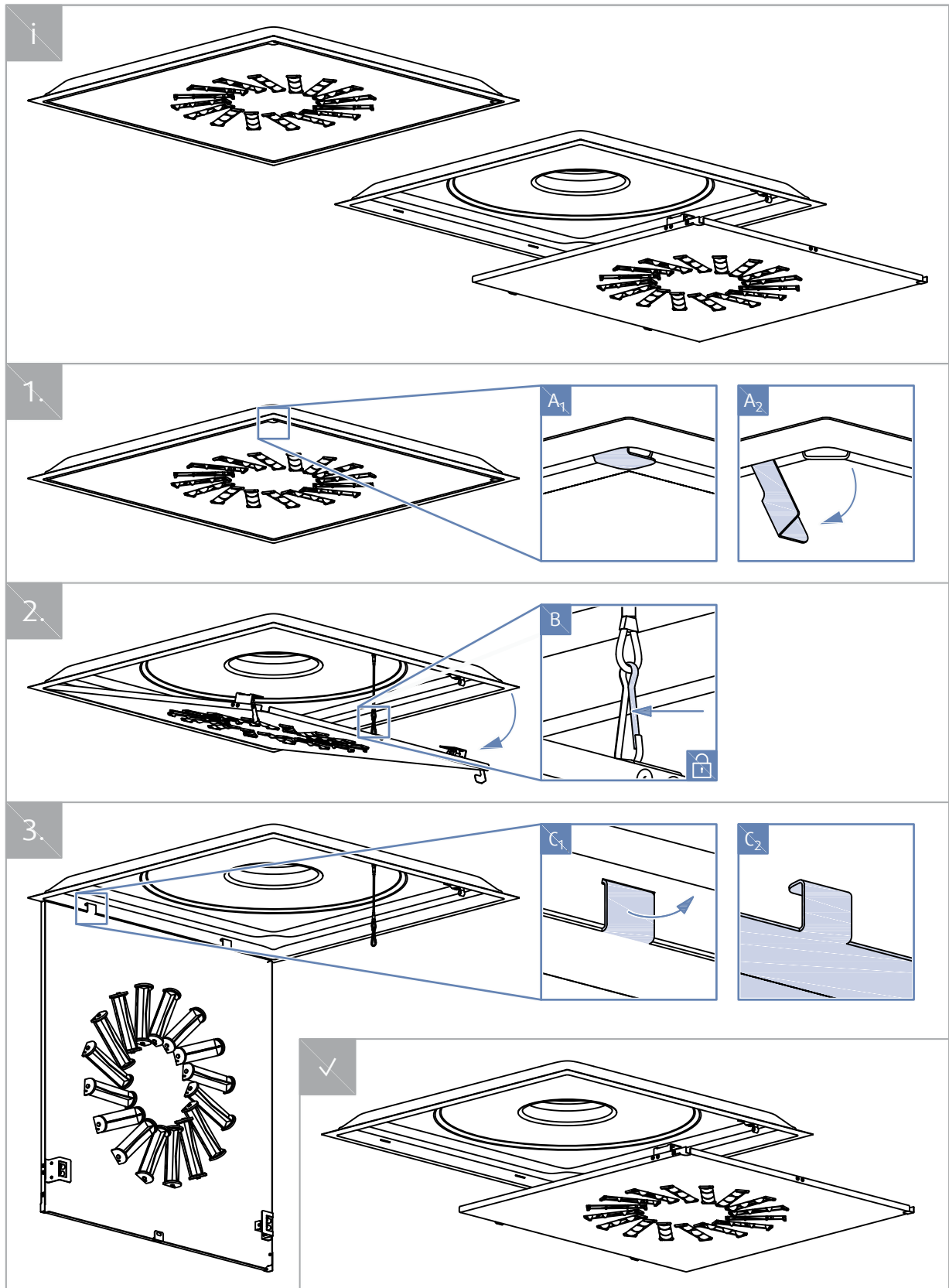
VVKR-F-250-600-32-B-SW + CBO-250

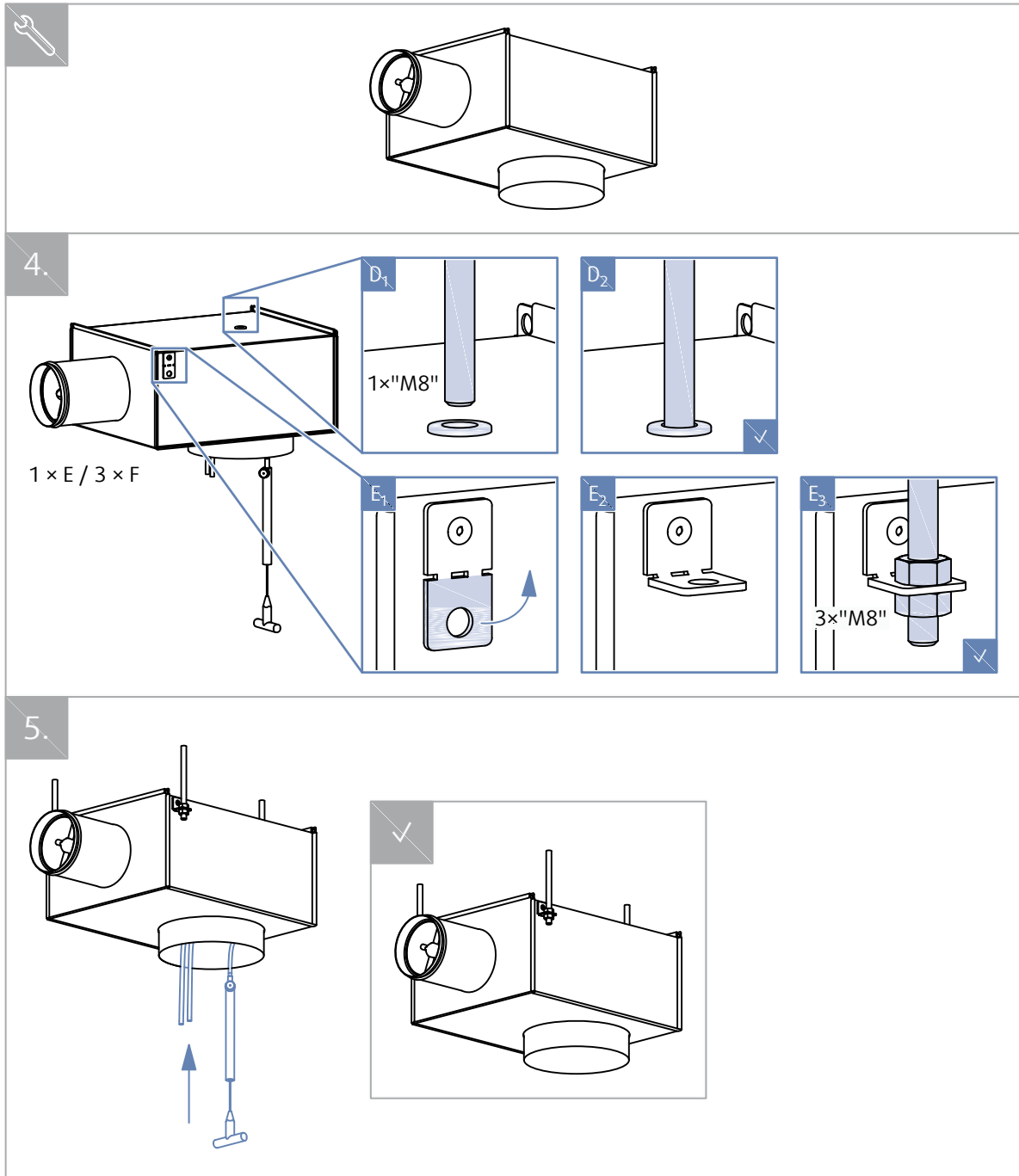
Throw length (terminal velocity 0.2 m/s)

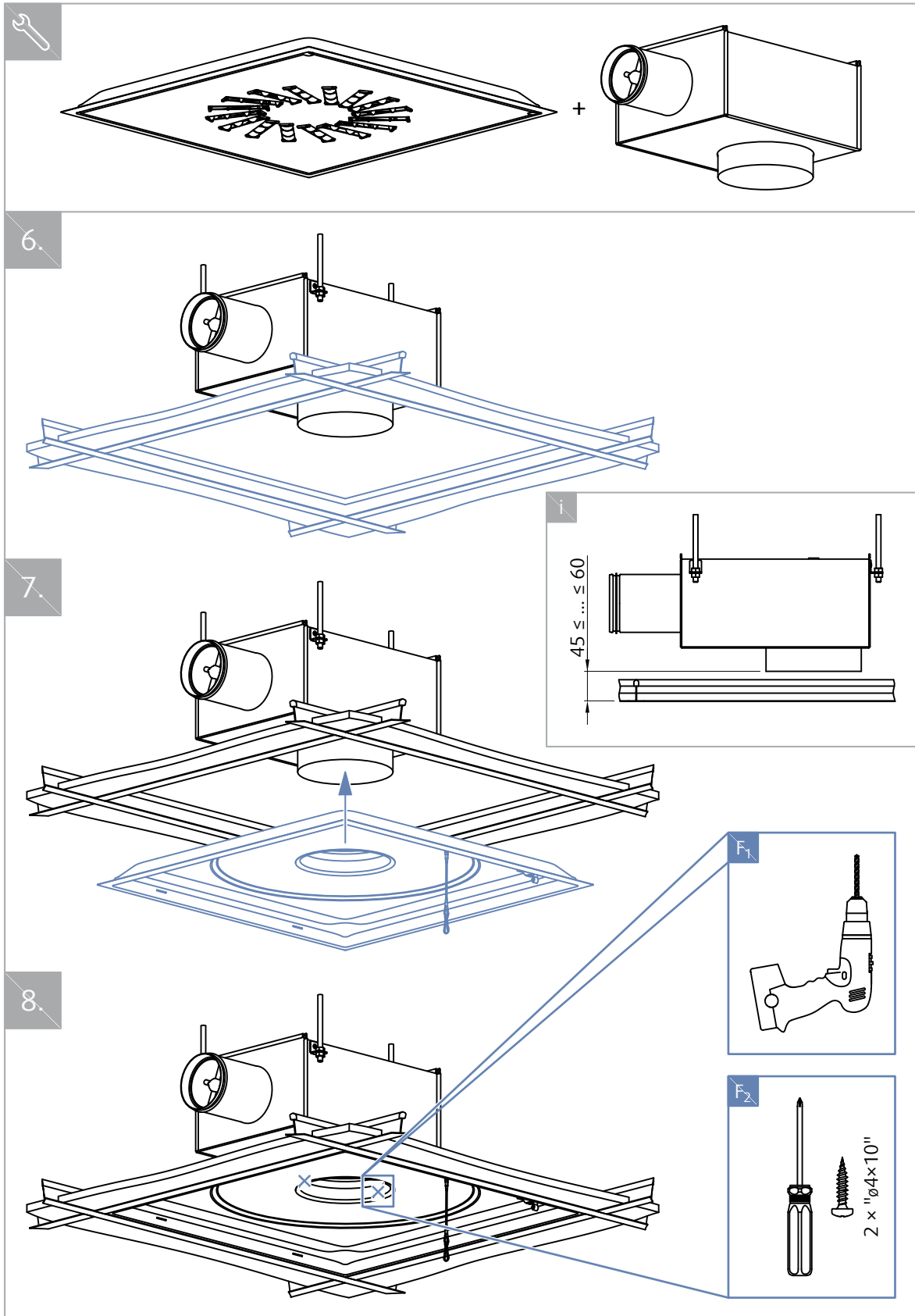


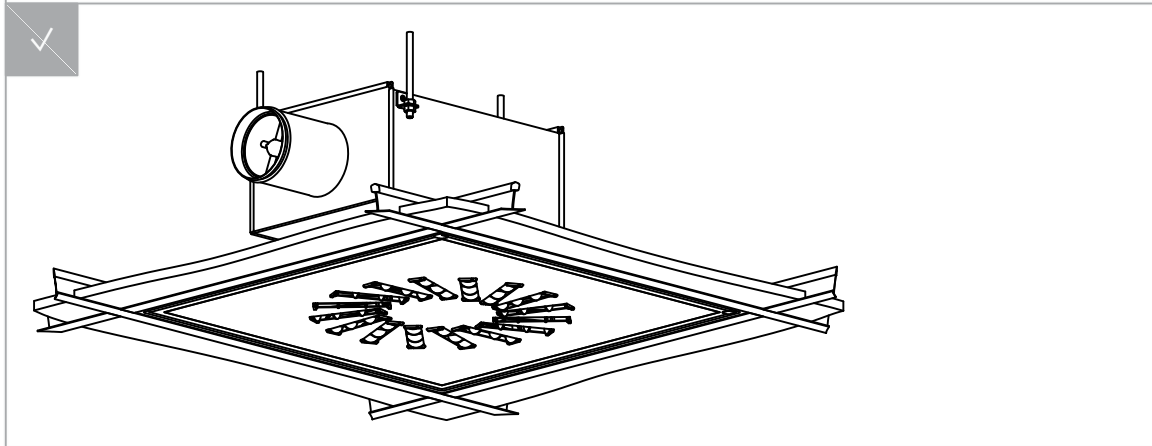
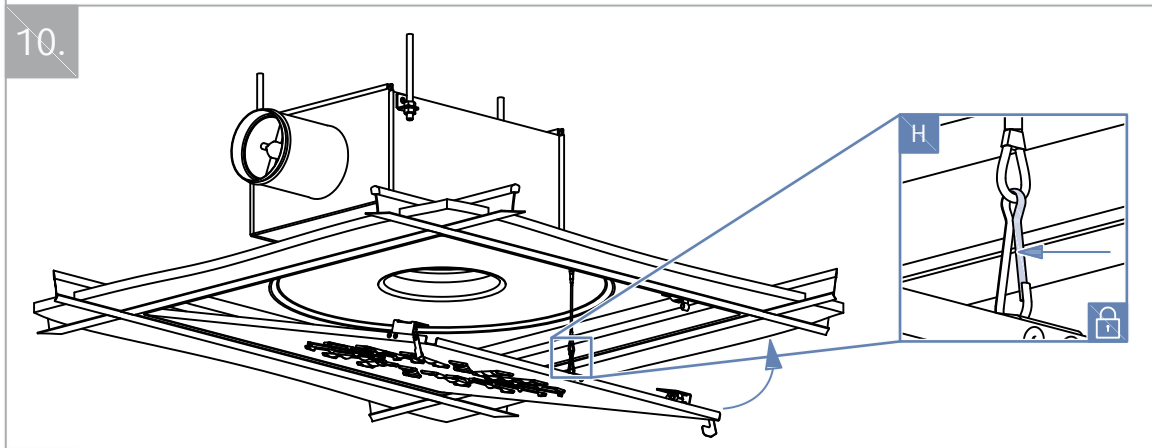
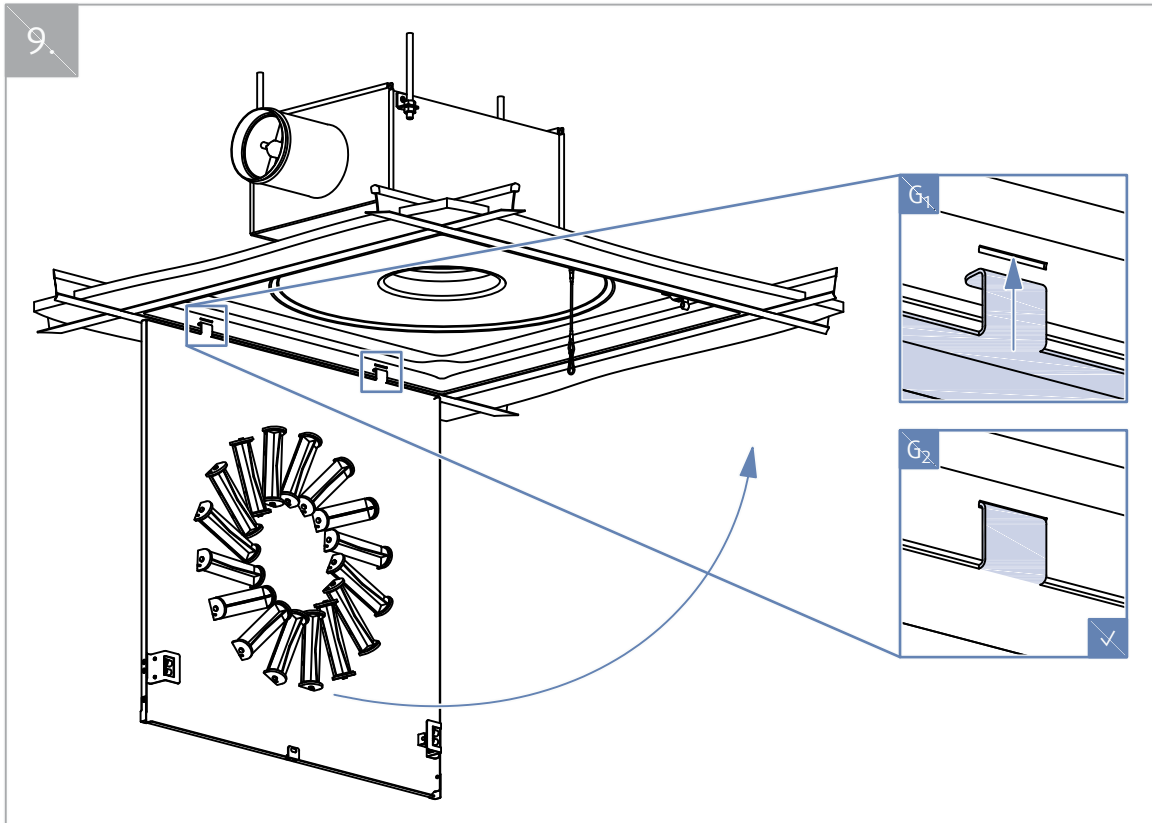
Installation

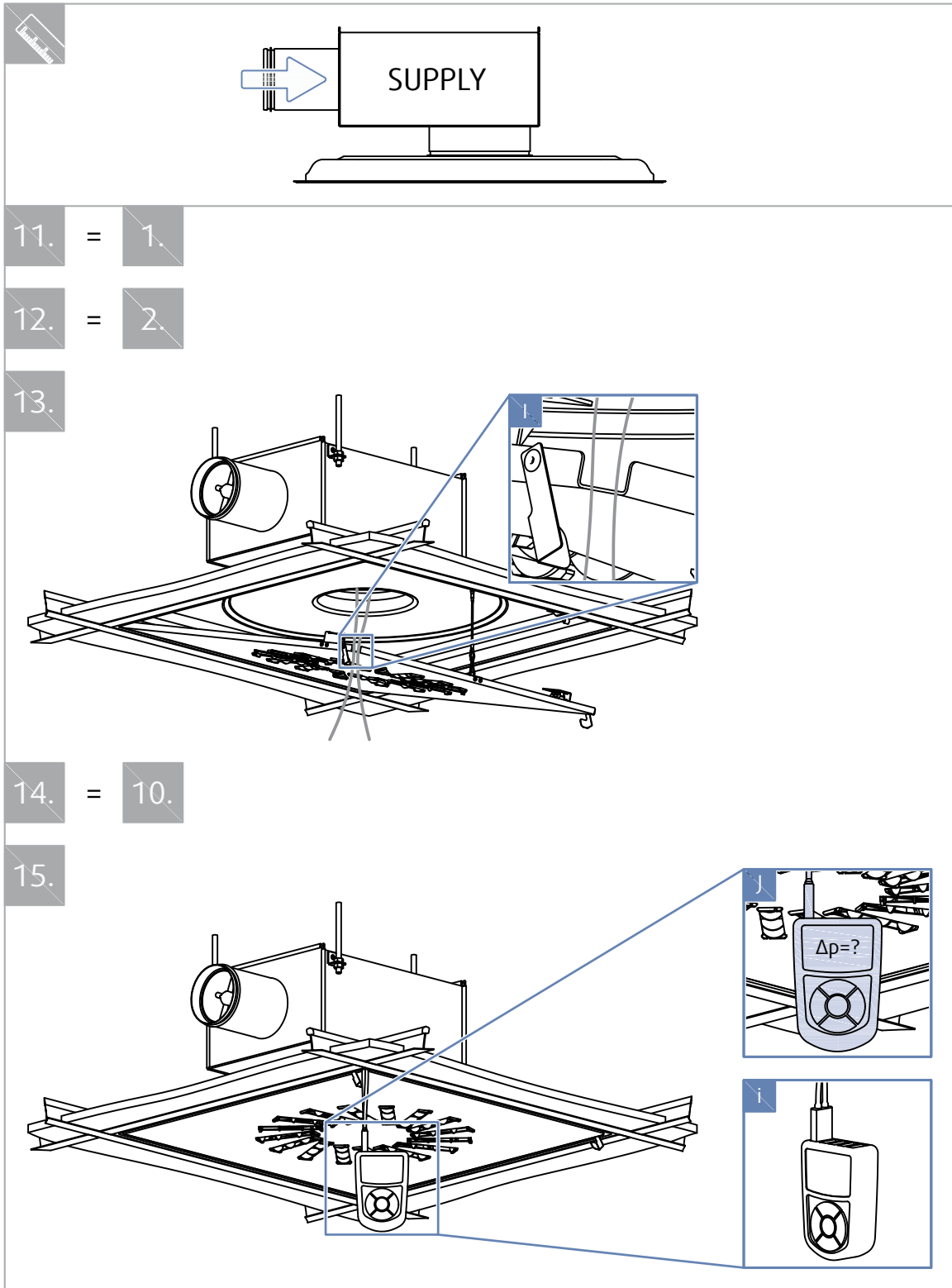







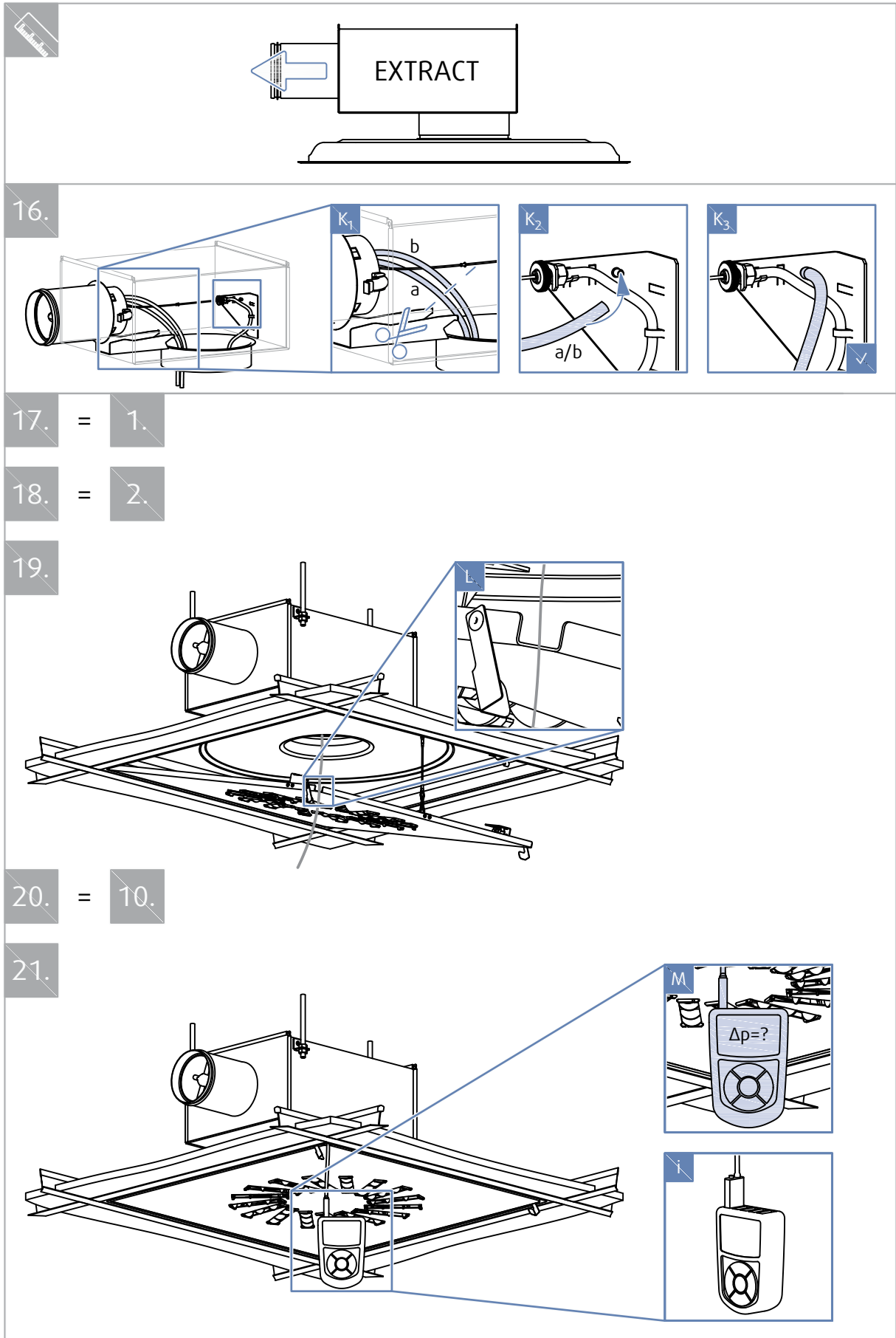














SUPPLY 	k		SUPPLY 	k		SUPPLY 	k			
VVKR-F	m³/h	l/s	VVKR-F	THOR	m³/h	l/s	VVKR-F	THOR-F	m³/h	l/s
125-8	27,33	7,59	125-8	100-125	19,08	5,30	125-8	100-125	16,72	4,64
160-16	38,18	10,61	160-16	125-160	33,12	9,20	160-16	100-160	16,72	4,64
200-24	71,01	19,72	200-24	160-200	57,24	15,90	200-24	125-200	28,21	7,84
250-32	88,44	24,57	250-32	200-250	93,60	26,00	250-32	160-250	51,84	14,40

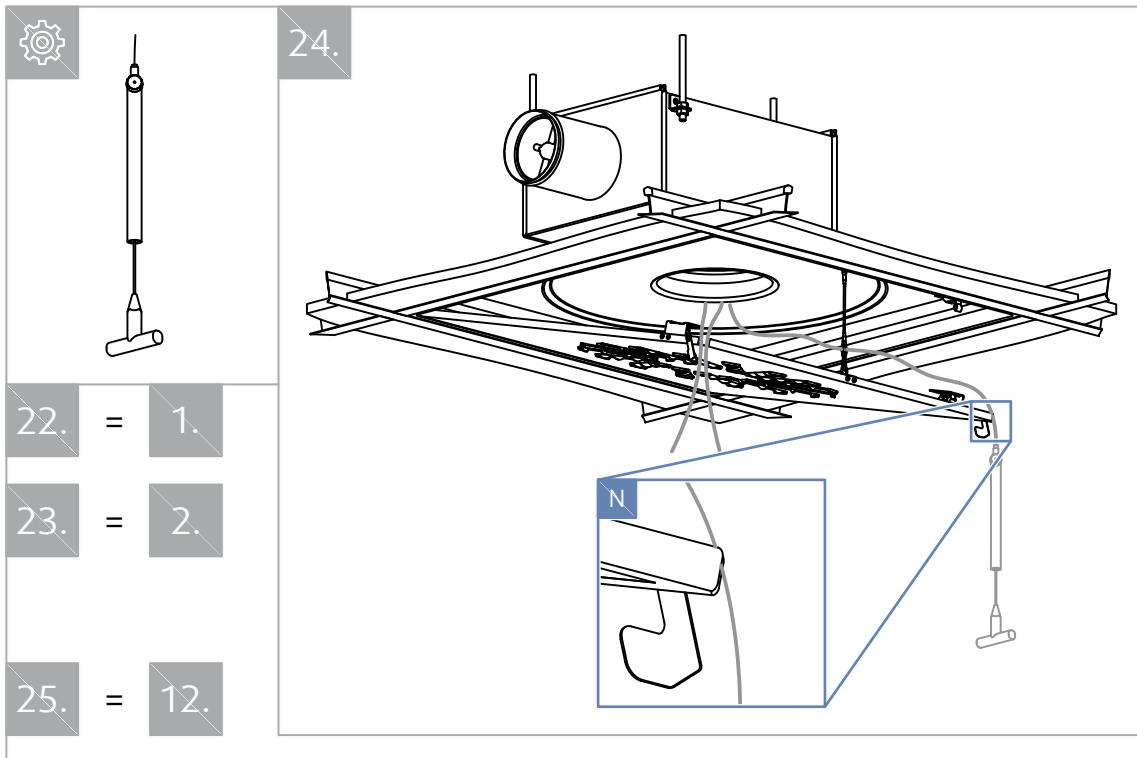


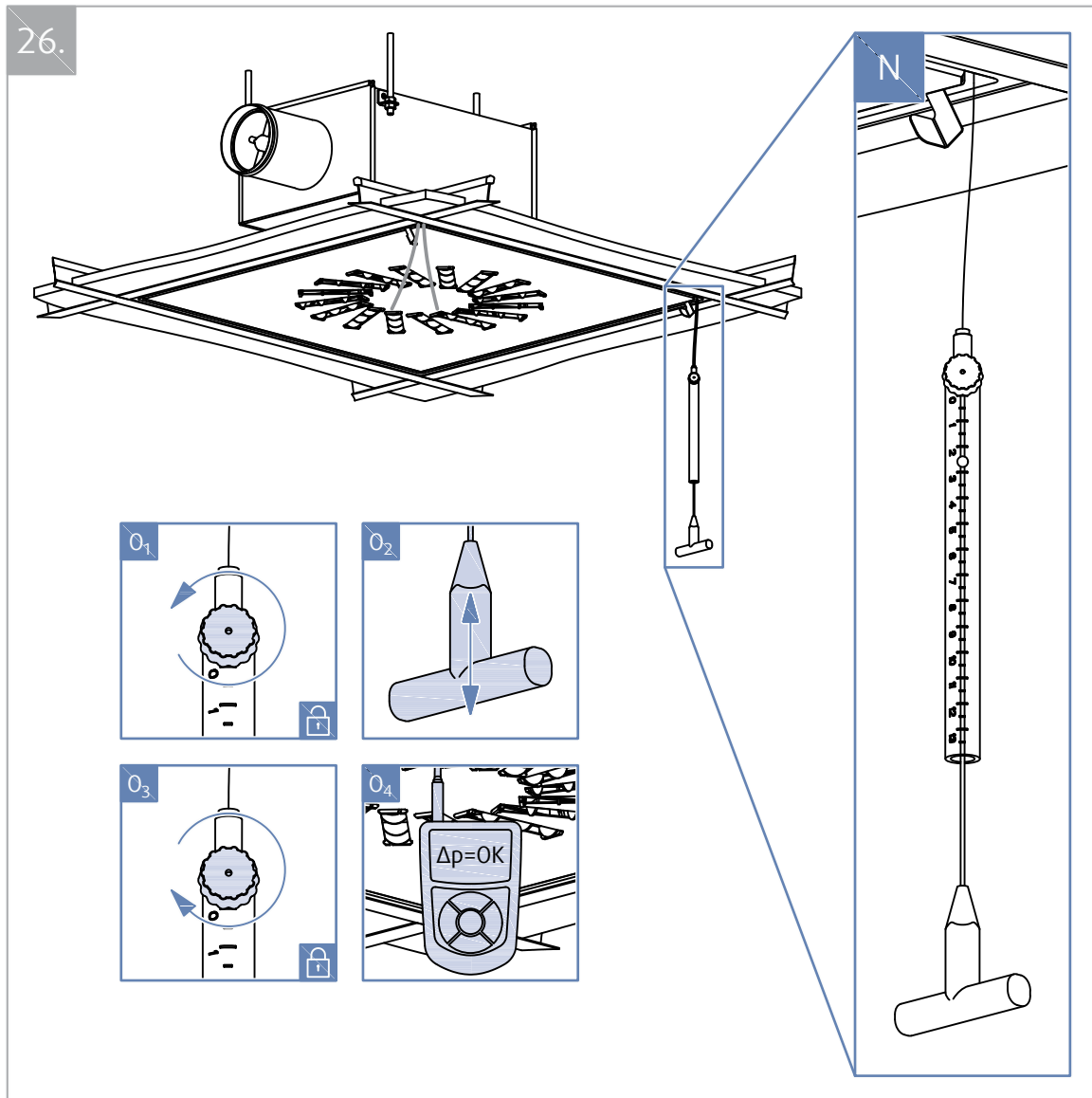


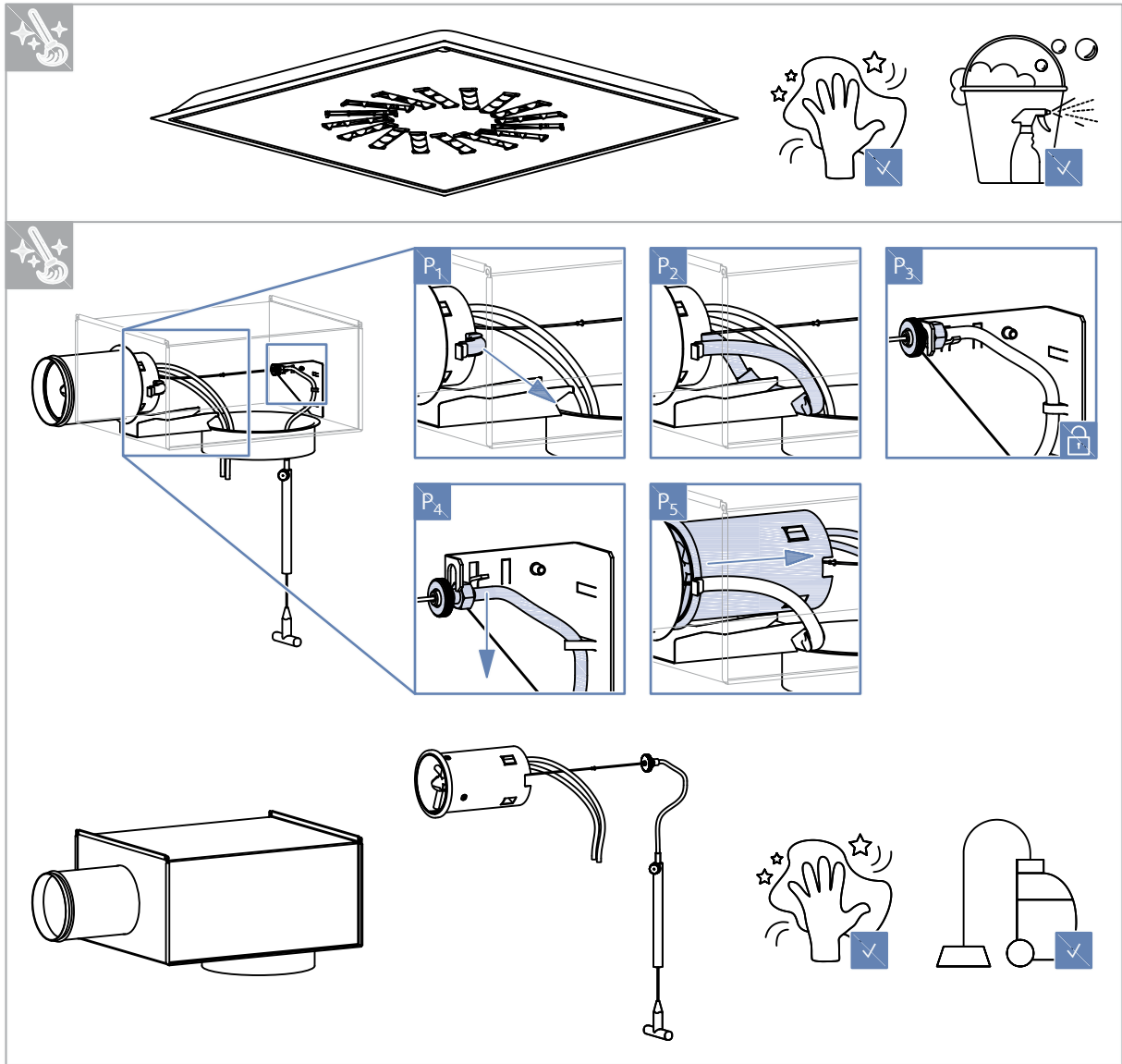
EXTRACT 	k		EXTRACT 	k		EXTRACT 	k			
	VVKR-F			VVKR-F	THOR		VVKR-F	THOR-F		
	m ³ /h	l/s			m ³ /h	l/s	m ³ /h	l/s		
125-8	25,15	6,98	125-8	100-125	24,28	6,75	125-8	100-125	22,25	6,18
160-16	29,33	8,15	160-16	125-160	26,09	7,25	160-16	100-160	24,81	6,89
200-24	52,87	14,69	200-24	160-200	53,91	14,97	200-24	125-200	54,89	15,25
250-32	71,84	19,96	250-32	200-250	70,76	19,66	250-32	160-250	69,11	19,20



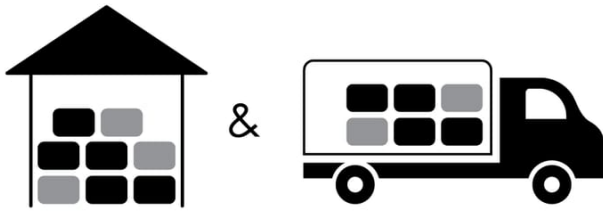
EXTRACT 	k		EXTRACT 	k		EXTRACT 	k			
	VVKR-F			VVKR-F	THOR		VVKR-F	THOR-F		
	m ³ /h	l/s			m ³ /h	l/s	m ³ /h	l/s		
125-8	36,21	10,06	125-8	100-125	37,17	10,33	125-8	100-125	33,28	9,24
160-16	44,39	12,33	160-16	125-160	44,55	12,37	160-16	100-160	39,47	10,96
200-24	80,73	22,42	200-24	160-200	89,96	24,99	200-24	125-200	86,14	23,93
250-32	125,46	34,85	250-32	200-250	128,90	35,81	250-32	160-250	123,03	34,18








Transport, Storage and Operation




 °C -40°C ... +50°C

 % ≤ 95%



 °C -20°C ... +70°C

 % ≤ 95%

Supplement

Any deviations from the technical specifications contained herein and the terms should be discussed with the manufacturer. We reserve the right to make any changes to the product without prior notice, provided that these changes do not affect the quality of the product and the required parameters.

Current information on all products is available on design.systemair.com.

