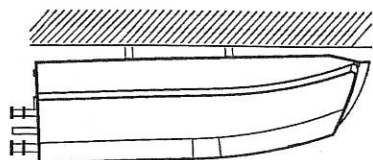


Additional Installation Guide

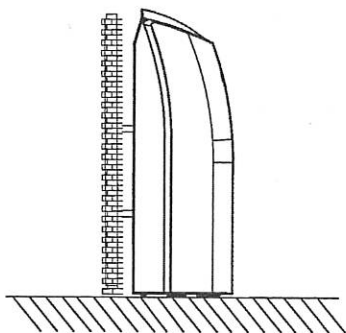
(Product selection with water pump components)

1. Once the water pump is customized from factory, only the ceiling installation can be selected, wall mounting installation is prohibited. If wall mounting installation is unavoidable, the water pump components must be removed.

(Ceiling installation is allowed)

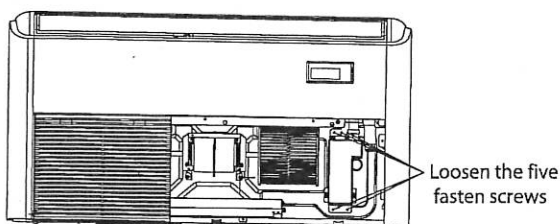


(Wall mounting installation is prohibitive)

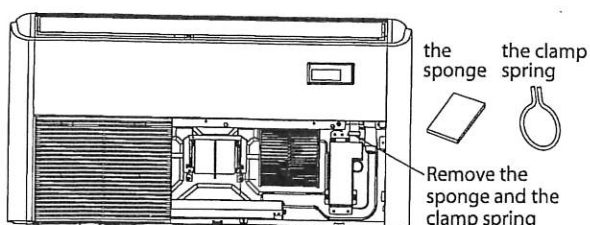


2. When the unit adopts water pump, the water pump should be removed first during pipe connection. After finishing the pipe connection, reinstall the water pump assembly. Make sure to install the unit according to the following figures:

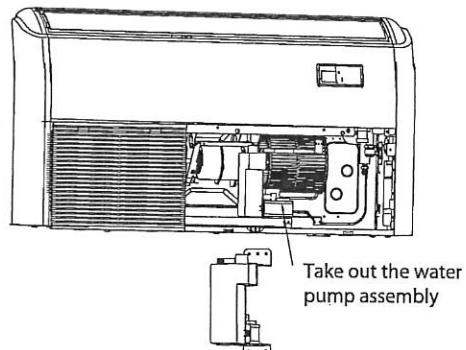
- 2.1 Loosen the five fasten screws of the water pump assembly..



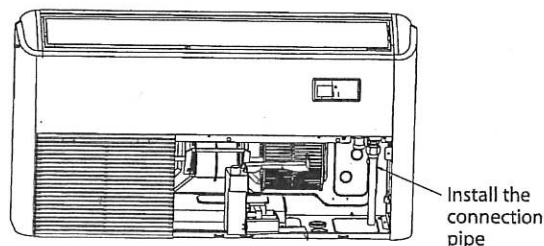
- 2.2 Remove the sponge attached at the water drainage outlet, then remove the clamp spring.



- 2.3 Take out the water pump assembly.



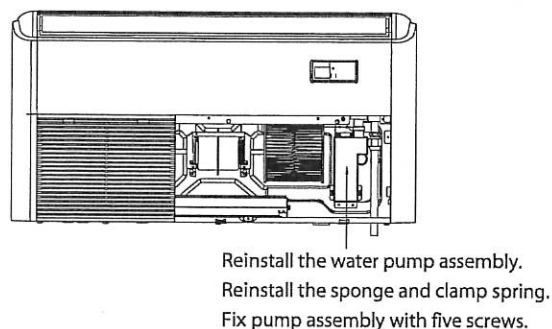
- 2.4 Install the connection pipe.



- 2.5 Reinstall the water pump assembly.

- 2.6 Relocate the sponge and clamp spring.

- 2.7 Fix pump assembly with five screws.



3. When the unit is turned off, if there is still water left in the machine, the water pump will keep on working for about 1 to 3 minutes to discharge water, and the sound generated by the pump motor is normal.

QSDLWP-001AEN
16122700A11890
20190114