

NOVA-EF-F

Filter Grille for T-bar Ceiling

Handbook

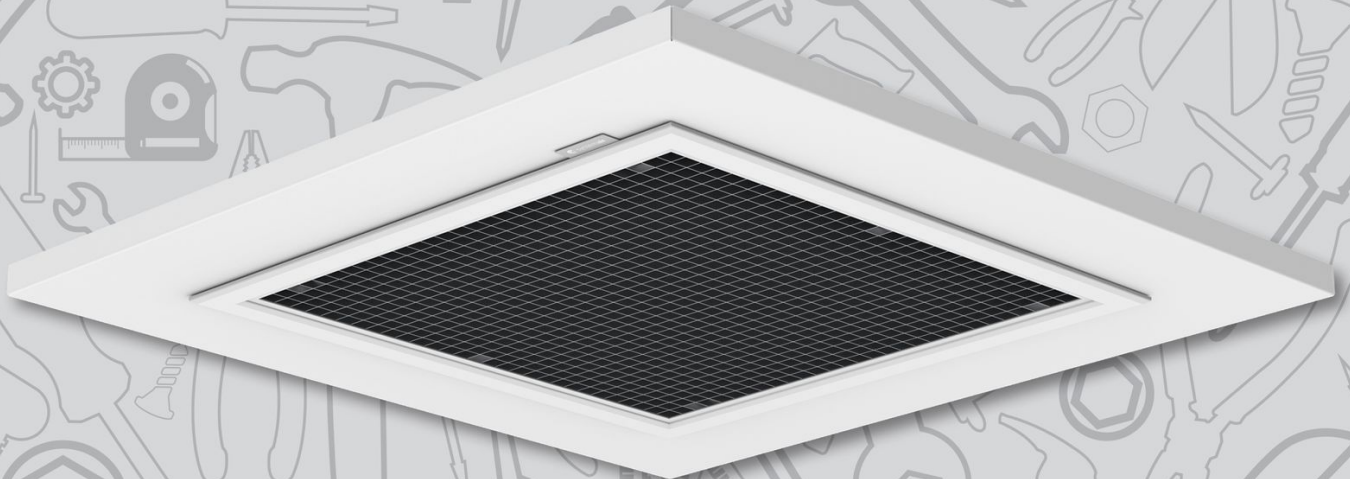
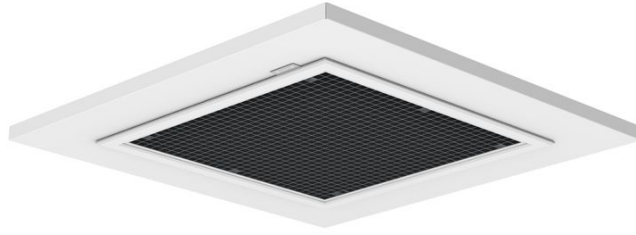


Table of Contents

Description3
Dimensions & Weights5
Ordering Codes7
Accessory8
Technical Parameters10
Installation14
Transport, Storage and Operation22
Supplement23



Description

NOVA-EF-F is a ventilation grille with a filter. The product is intended for air extract in air re-circulation systems with fan-coils. The product is installed into T-bar ceilings. For a balanced distribution of air through the entire grille it is recommended to use the PB-NOVA-FF plenum box. The field of application is offices, residential premises or hotels.

Highlights

- Fine aesthetic design and precise finish
- High stability and safety for installation and operation in walls and ceilings in all available sizes
- No tools required for quick and easy access to the filter inlay for cleaning and maintenance

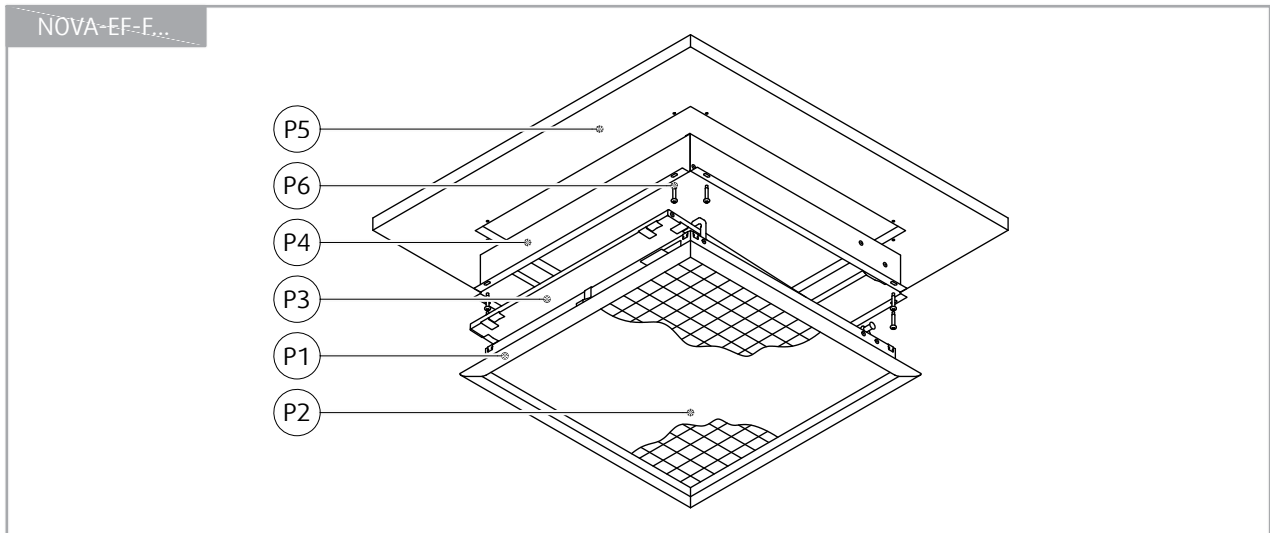
Accessory

- PB-NOVA-FF: Plenum Box for T-bar Ceiling Installed NOVA

Design

NOVA-EF-F consists of a frame, a fixed aluminium grating with free area of more than 90%, a ceiling mounting frame with a detachable mesh screen, a filter in class Coarse 65% and a T-bar ceiling adapter. The ceiling mounting frame and T-bar ceiling adapter are manufactured from galvanized steel. The filter is accessible without tools. For this the grille can be easily opened or removed. The grille is kept in the frame by spring clips. The T-bar ceiling adapter has dimensions to fit into the T-bar ceiling with raster 600 mm or 625 mm. The product is powder painted to RAL9003 (signal white) as standard. Other RAL colours are available upon request.

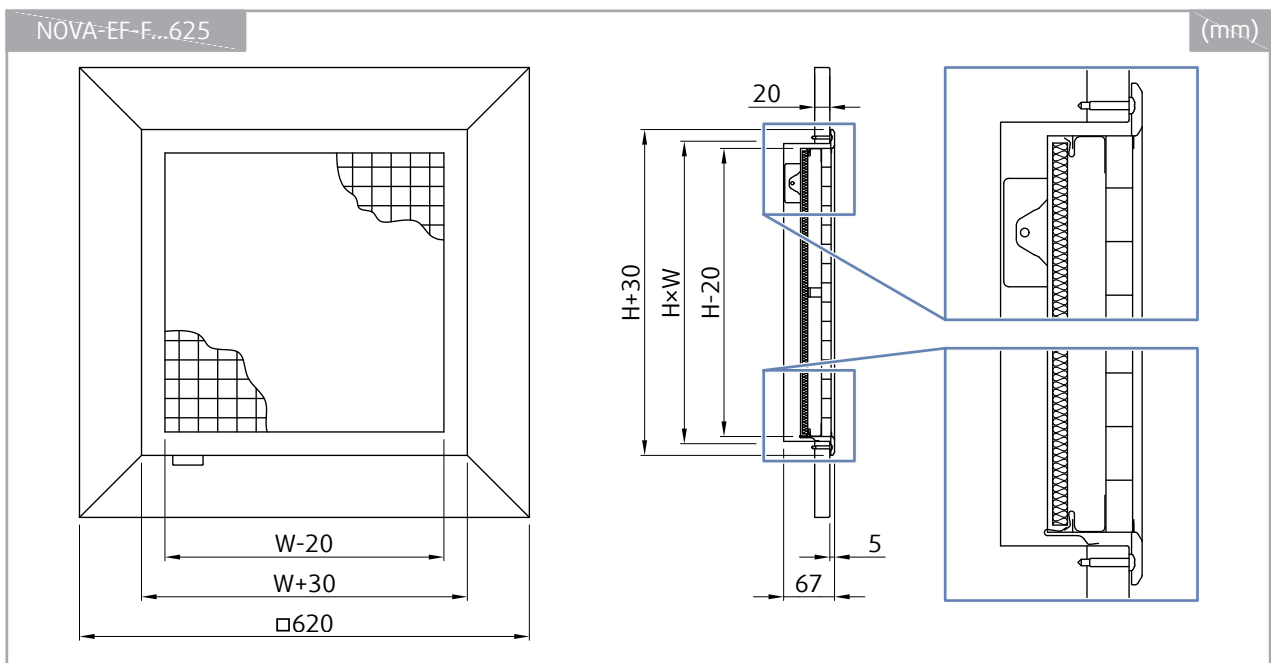
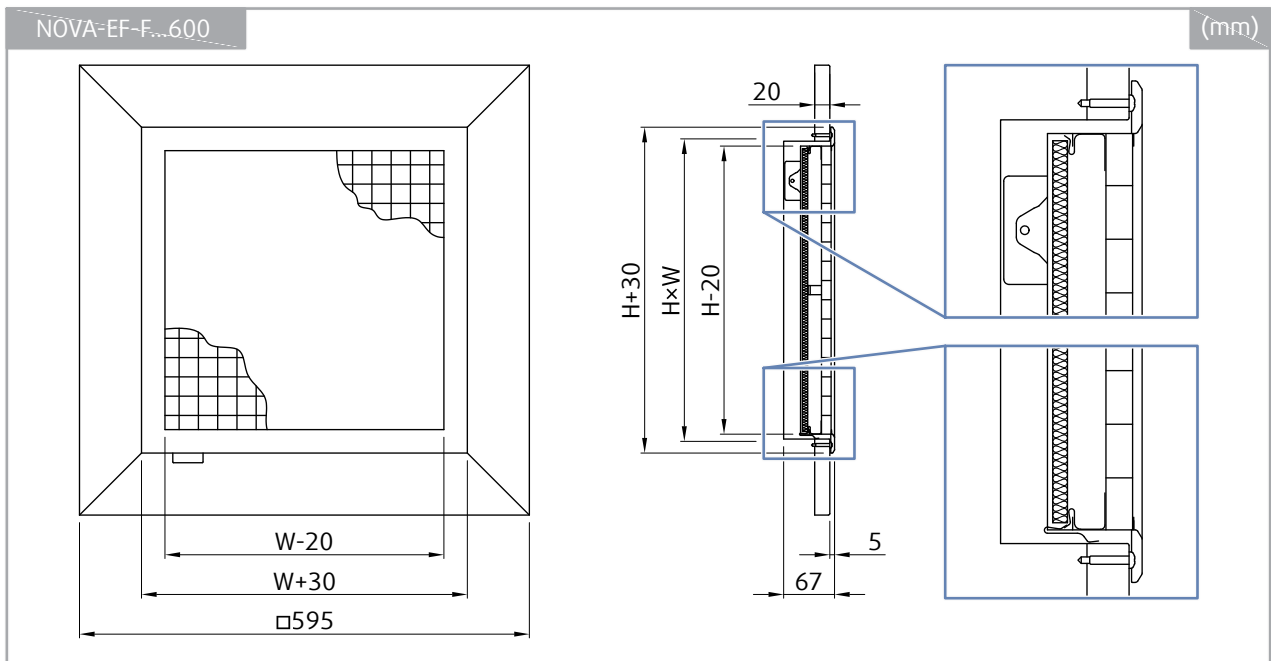
Product Parts



Legend

- P1** Grille frame
- P2** Grating
- P3** Filter - class Coarse 65%
- P4** Ceiling mounting frame
- P5** T-bar ceiling adapter
- P6** Screw 3,9 × 25 mm; DIN7504

Dimensions & Weights



	W	H	m
	mm		kg
NOVA-EF-F...600	200	200	3,4
NOVA-EF-F...600	225	225	3,8
NOVA-EF-F...600	300	300	3,9
NOVA-EF-F...600	325	325	4,8
NOVA-EF-F...600	400	400	4,7
NOVA-EF-F...600	425	425	5,4
NOVA-EF-F...600	500	500	5,7
NOVA-EF-F...625	200	200	3,5
NOVA-EF-F...625	225	225	4,0
NOVA-EF-F...625	300	300	4,2
NOVA-EF-F...625	325	325	4,8
NOVA-EF-F...625	400	400	4,6
NOVA-EF-F...625	425	425	5,1
NOVA-EF-F...625	500	500	5,5
NOVA-EF-F...625	525	525	5,8

Ordering Codes

NOVA-EF-F-

Dimensions

200 × 200

225 × 225

300 × 300

325 × 325

400 × 400

425 × 425

500 × 500

525 × 525¹

T-bar raster size

600

625

Surface finish²

SW Signal white (RAL9003, gloss 30%)

RALXXXX Other RAL colour

NOTES:

1. This dimension is only available for 625 mm T-bar raster size
2. In case the surface finish is not specified in the ordering code, the product will be delivered in RAL9003 signal white. Other RAL colours are available upon request

Example of the Ordering Code

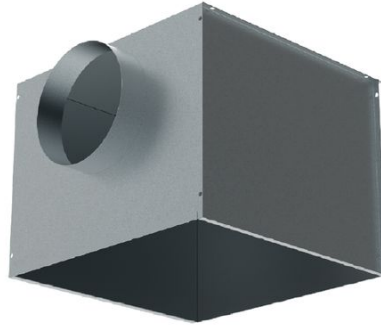
NOVA-EF-F - 225 x 225 - 600 - SW

NOVA-EF-F filter grille for T-bar ceiling. Dimensions 225 mm × 225 mm. T-bar raster size 600 mm. In signal white colour (RAL9003).

Accessory

PB-NOVA-FF

Plenum Box for T-bar Ceiling Installed NOVA

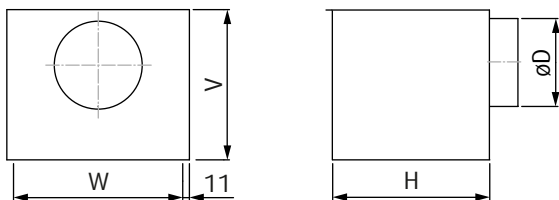


Description

PB-NOVA-FF is a plenum box. The product is intended for air supply and air extract. The product is intended to balance distribution of air through the entire grille. It also serves as a silencer and for connecting the grille to an air distributing system. The product is installed at the end of circular ducts in ceilings.

Design

PB-NOVA-FF is manufactured from galvanized steel sheet. The product consists of a box casing, a grille connection and a duct connection on the side.



W	H	V	øD	m
mm				kg
200	200	285	160	1,5
225	225			1,6
300	300	325	200	2,5
325	325			2,7
400	400			3,4
425	425			3,6
500	500	375	250	3,9
525	525			4,3

Ordering codes

PB-NOVA-FF-

Dimensions ¹

W × H

Box Height

V

Diameter

∅D

NOTE:

1. Available dimension combinations are in the dimension table.

Ordering code example:

PB-NOVA-FF- 400 x 400 - 325 - 200

Plenum box for T-bar ceiling installed NOVA, dimensions 400 mm × 400 mm, box height 325 mm, connection with diameter 200 mm.

Technical Parameters

Legend

p_s (Pa) Pressure drop

q_V (m³/h or l/s) Air flow volume

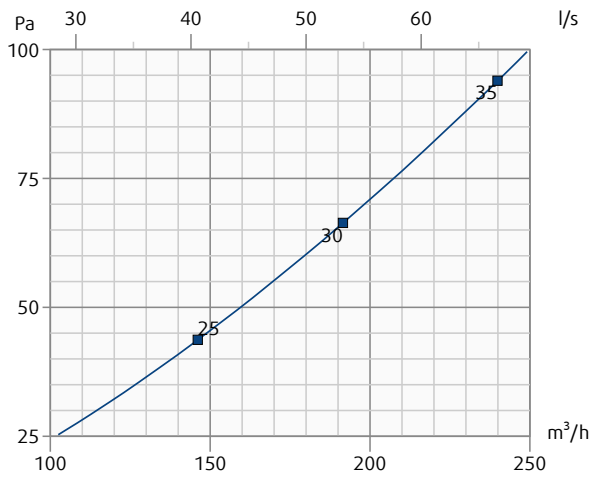
L_{WA} (dB(A)) A-weighted total radiated sound power level

L_{pA} (dB(A)) A-weighted total sound pressure level expressed for 10 m² room absorption area

Diagrams without PB-NOVA-FF

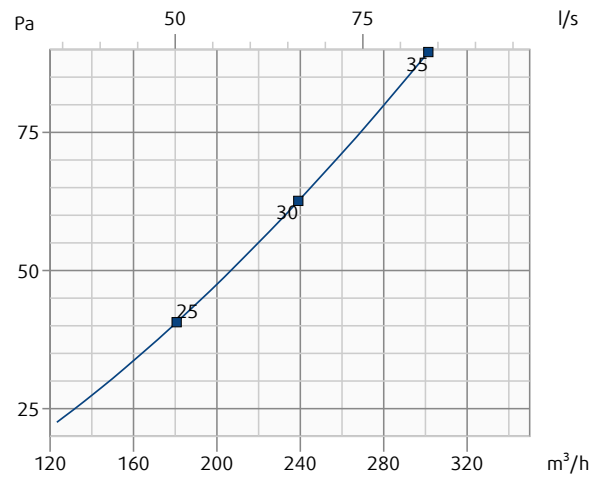
NOVA-EF-F-200x200-600-SW

Pressure drop & A-weighted sound power level in dB(A)



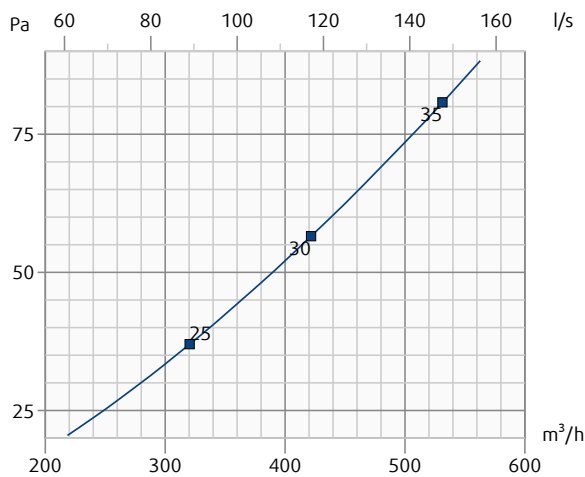
NOVA-EF-F-225x225-600-SW

Pressure drop & A-weighted sound power level in dB(A)



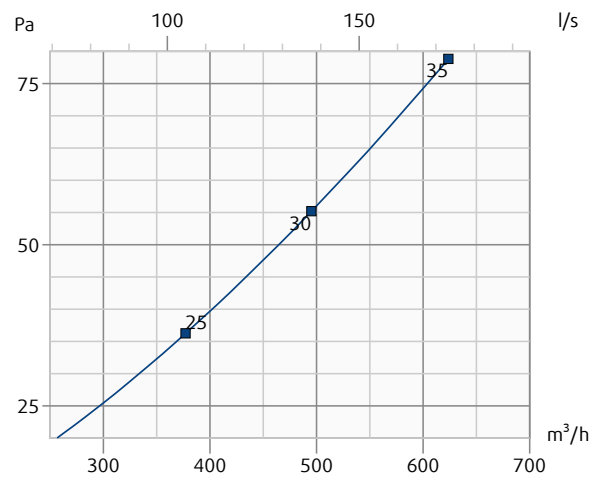
NOVA-EF-F-300x300-600-SW

Pressure drop & A-weighted sound power level in dB(A)



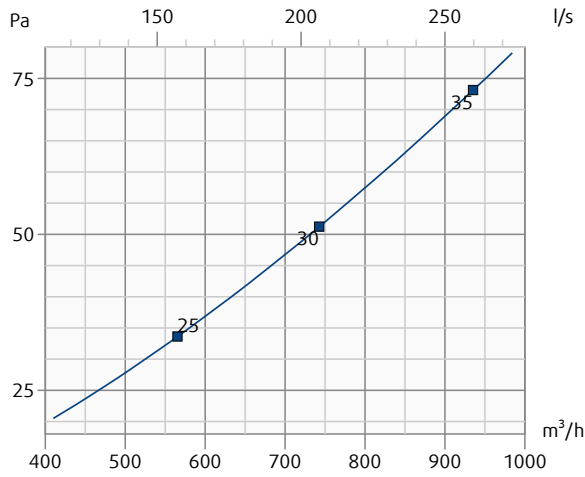
NOVA-EF-F-325x325-600-SW

Pressure drop & A-weighted sound power level in dB(A)



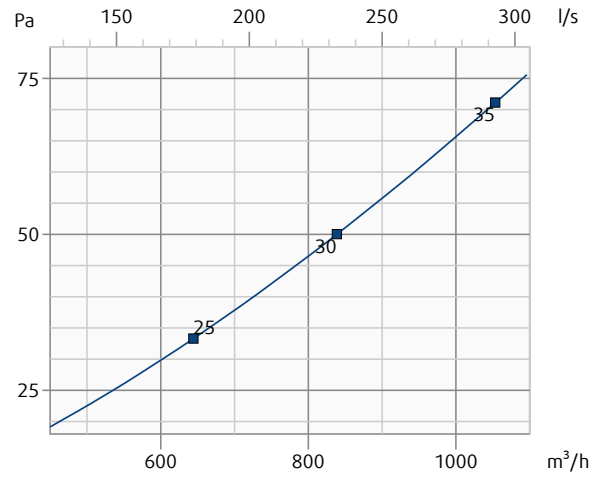
NOVA-EF-F-400x400-600-SW

Pressure drop & A-weighted sound power level in dB(A)



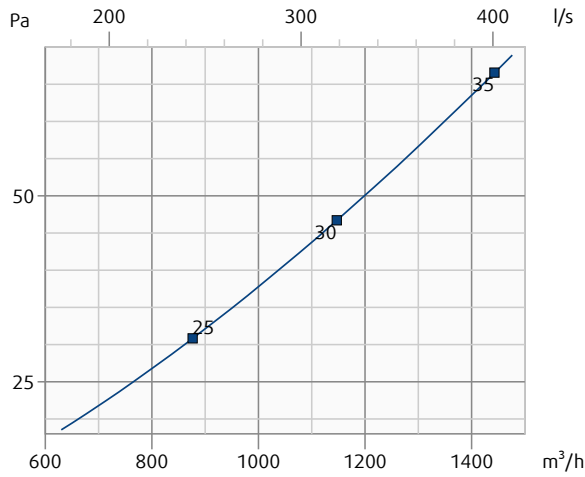
NOVA-EF-F-425x425-600-SW

Pressure drop & A-weighted sound power level in dB(A)



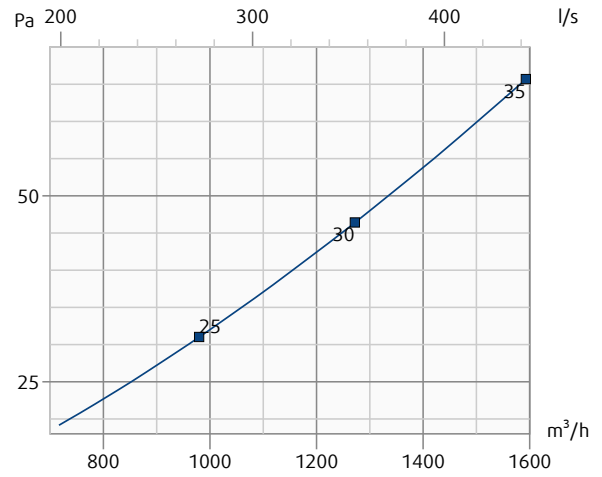
NOVA-EF-F-500x500-600-SW

Pressure drop & A-weighted sound power level in dB(A)



NOVA-EF-F-525x525-600-SW

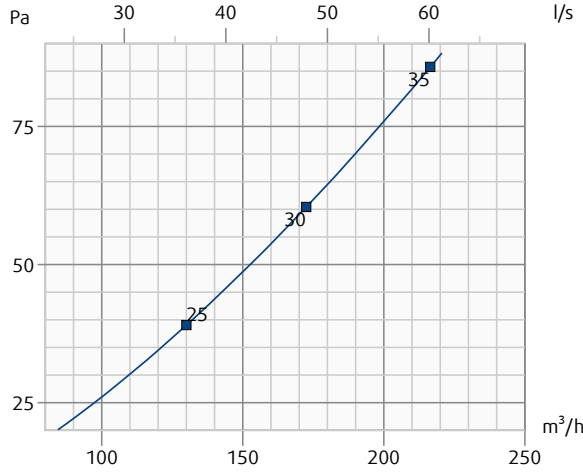
Pressure drop & A-weighted sound power level in dB(A)



Diagrams with PB-NOVA-FF

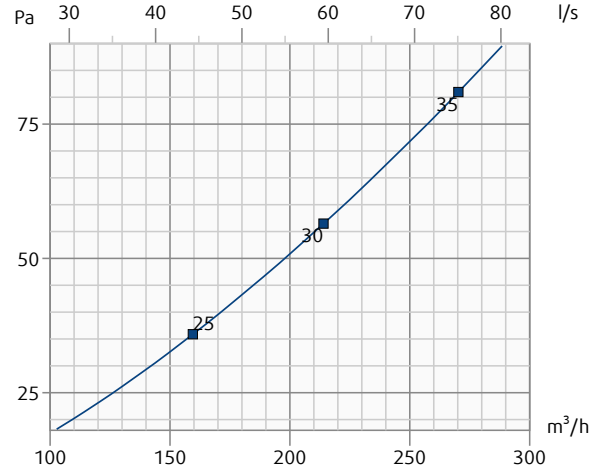
NOVA-EF-F-200x200-600-SW + PB-NOVA-FF-200x200

Pressure drop & A-weighted sound power level in dB(A)



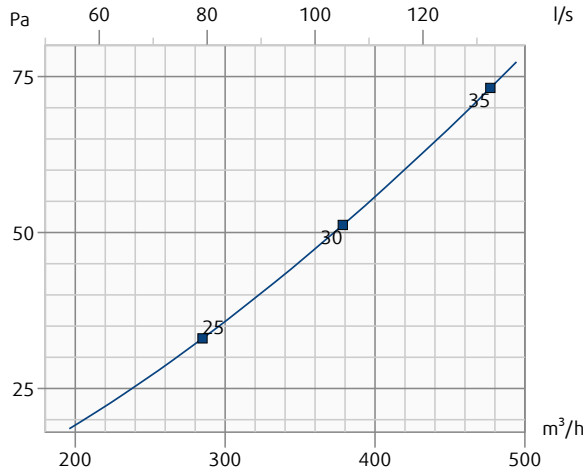
NOVA-EF-F-225x225-600-SW + PB-NOVA-FF-225x225

Pressure drop & A-weighted sound power level in dB(A)



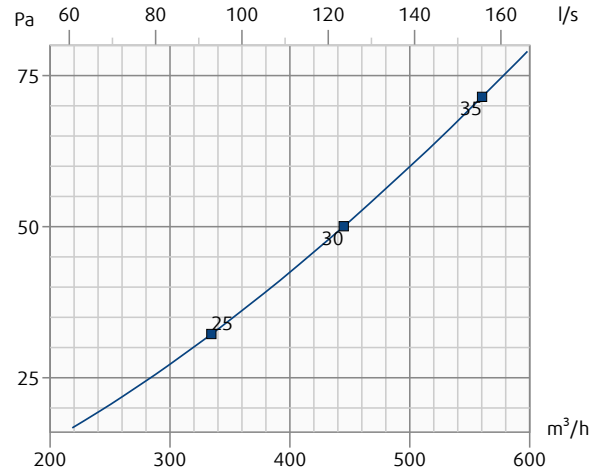
NOVA-EF-F-300x300-600-SW + PB-NOVA-FF-300x300

Pressure drop & A-weighted sound power level in dB(A)



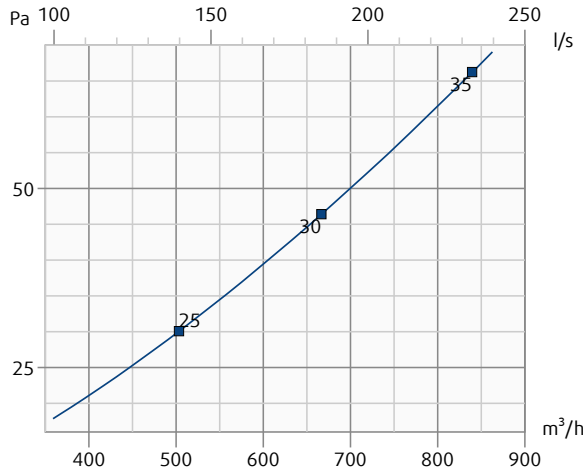
NOVA-EF-F-325x325-600-SW + PB-NOVA-FF-325x325

Pressure drop & A-weighted sound power level in dB(A)



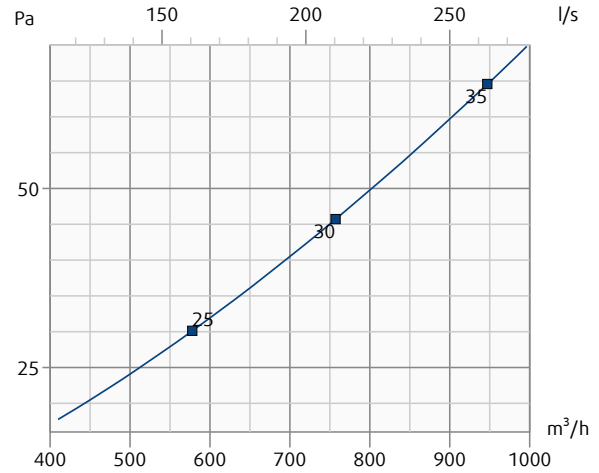
NOVA-EF-F-400x400-600-SW + PB-NOVA-FF-400x400

Pressure drop & A-weighted sound power level in dB(A)



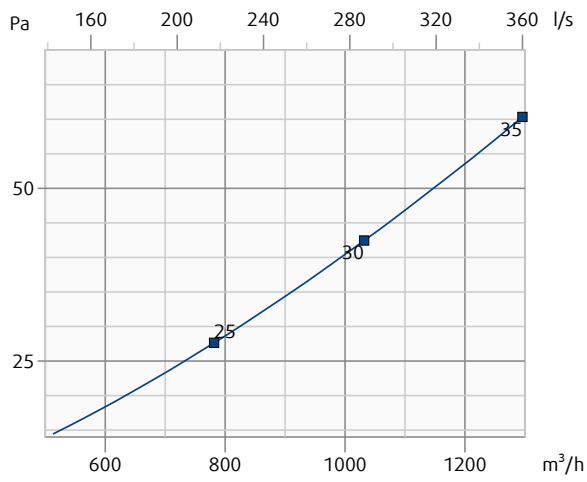
NOVA-EF-F-425x425-600-SW + PB-NOVA-FF-425x425

Pressure drop & A-weighted sound power level in dB(A)



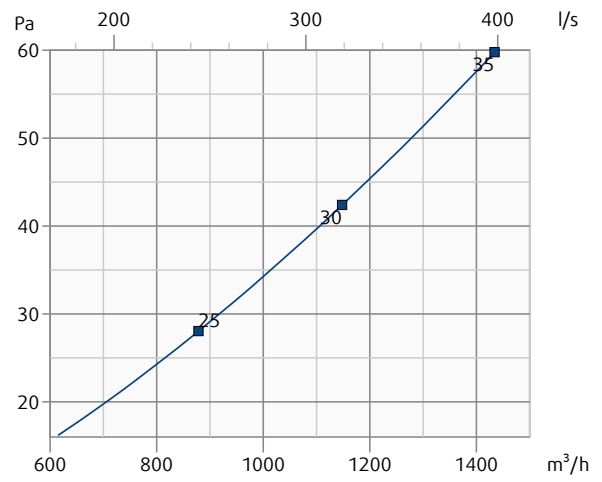
NOVA-EF-F-500x500-600-SW + PB-NOVA-FF-500x500

Pressure drop & A-weighted sound power level in dB(A)



NOVA-EF-F-525x525-600-SW + PB-NOVA-FF-525x525

Pressure drop & A-weighted sound power level in dB(A)



Installation

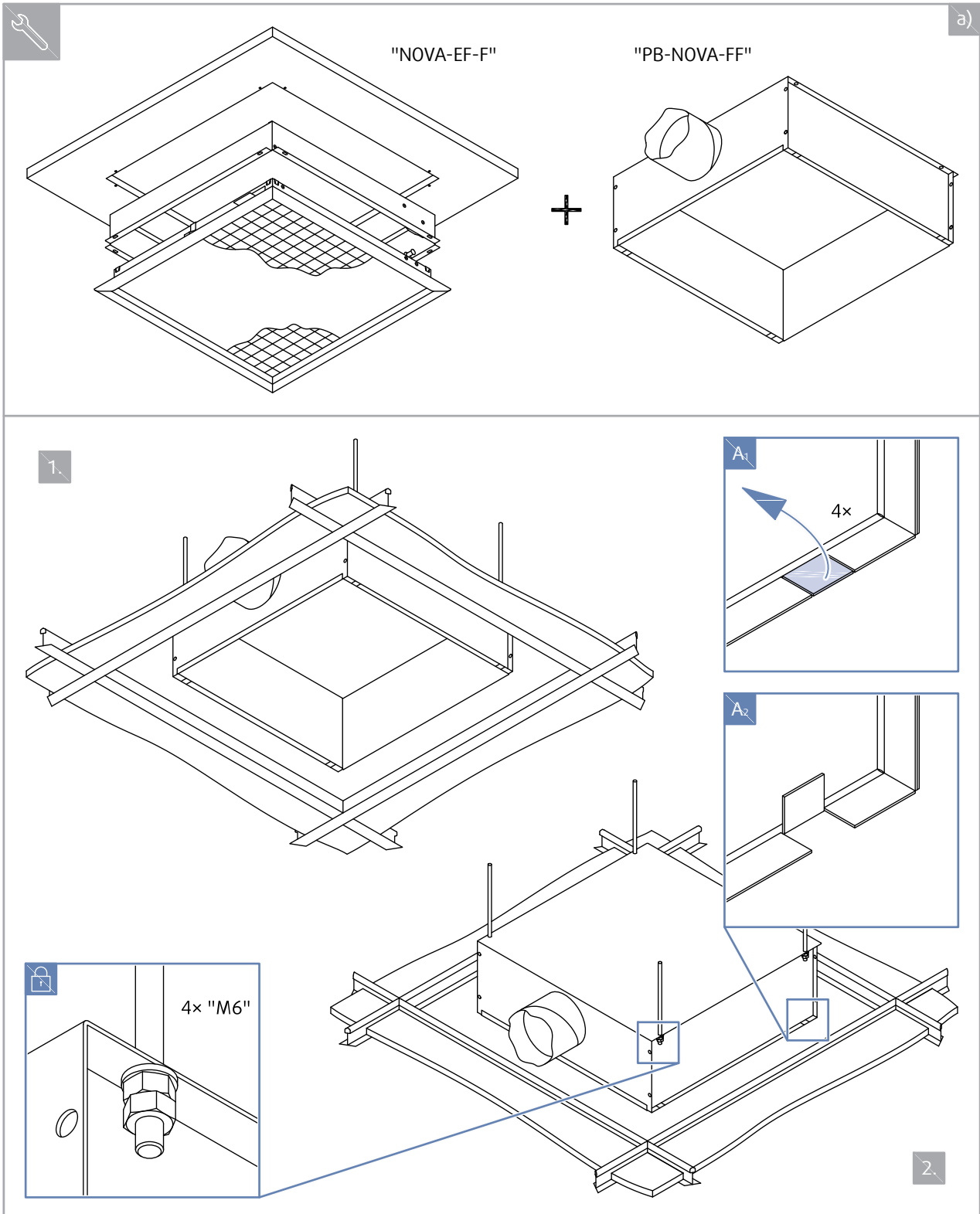
Legend

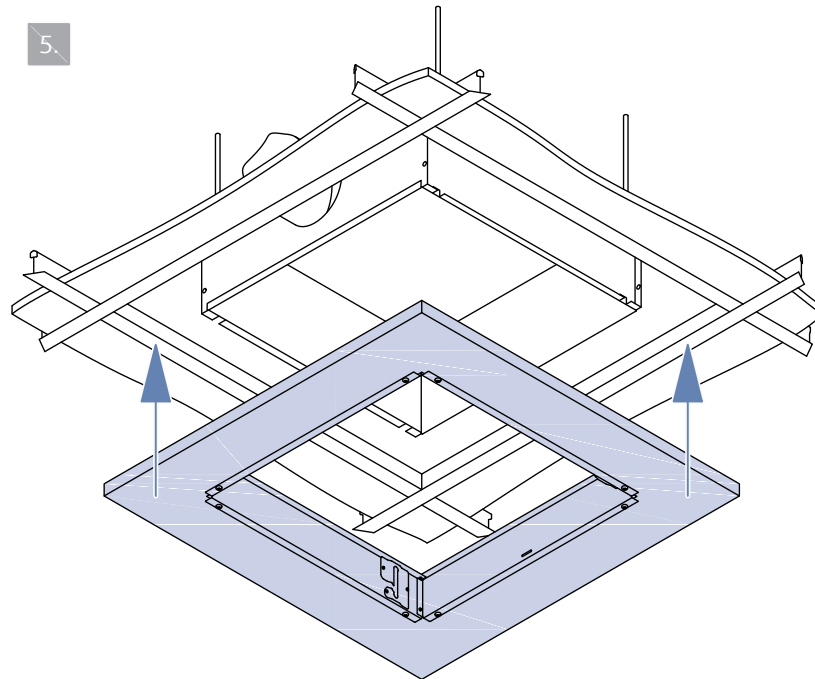
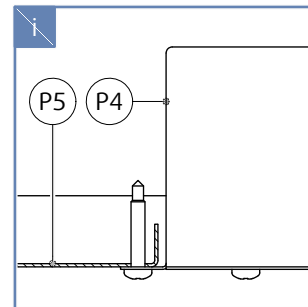
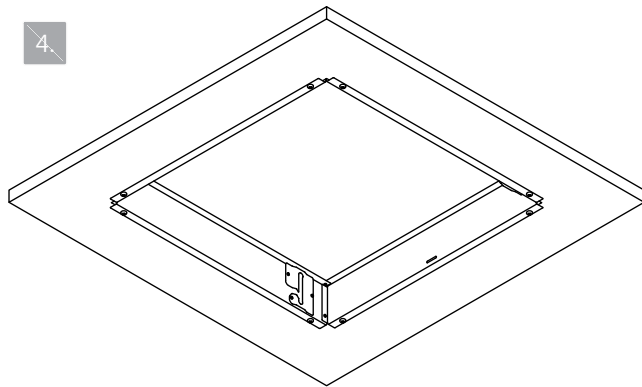
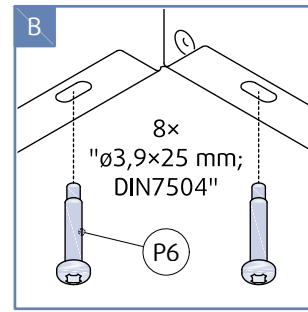
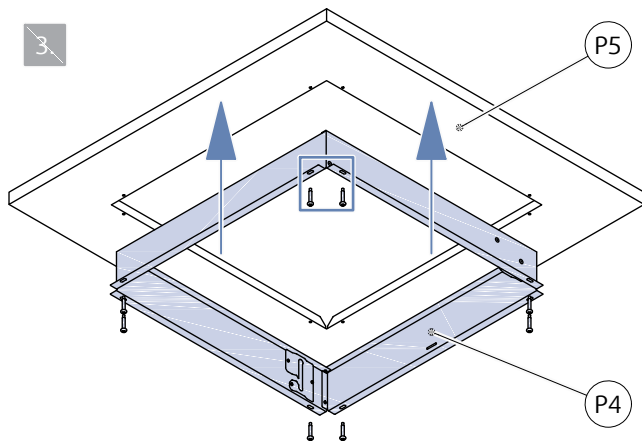
a) Standard installation

P4 Ceiling mounting frame

P5 Ceiling frame adapter

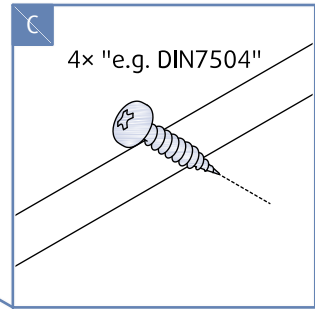
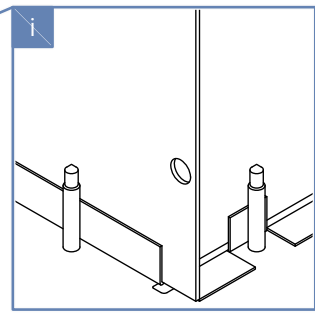
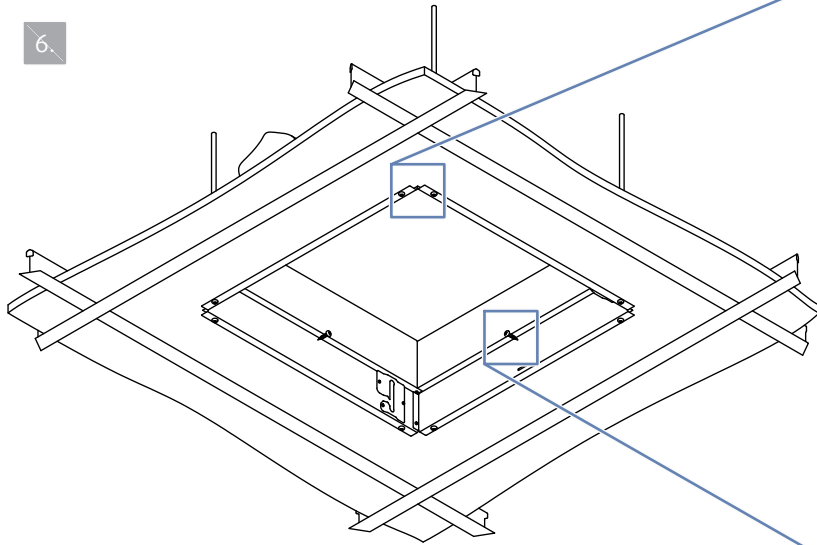
P6 Screw 3,9 × 25 mm; DIN7504



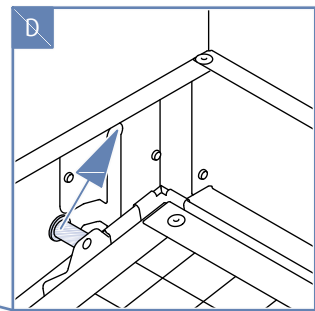
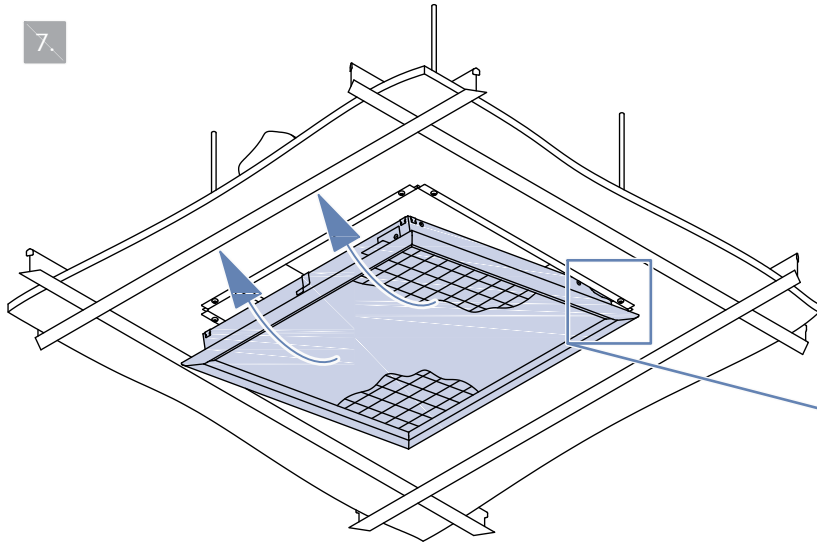


a)

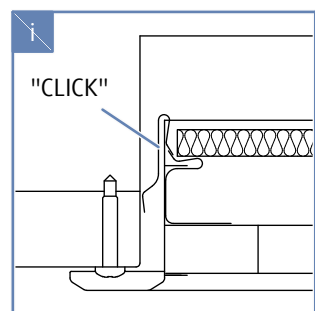
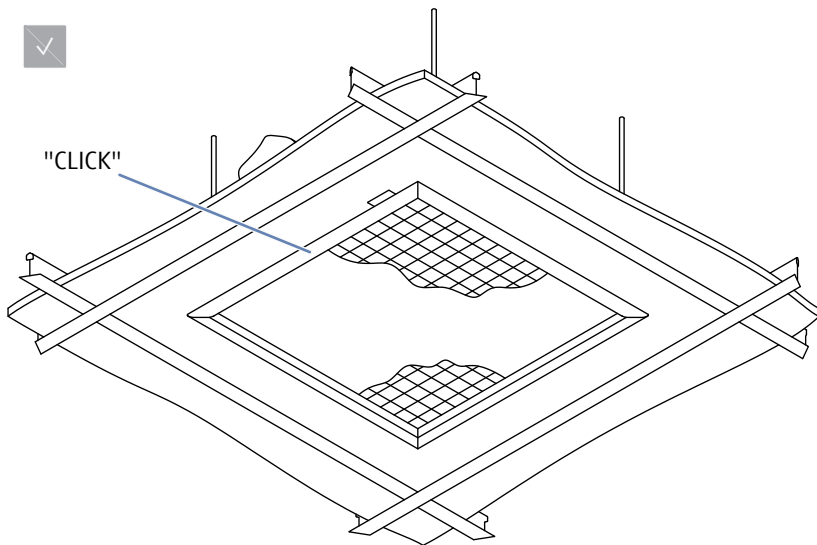
6.



7.



✓



Legend

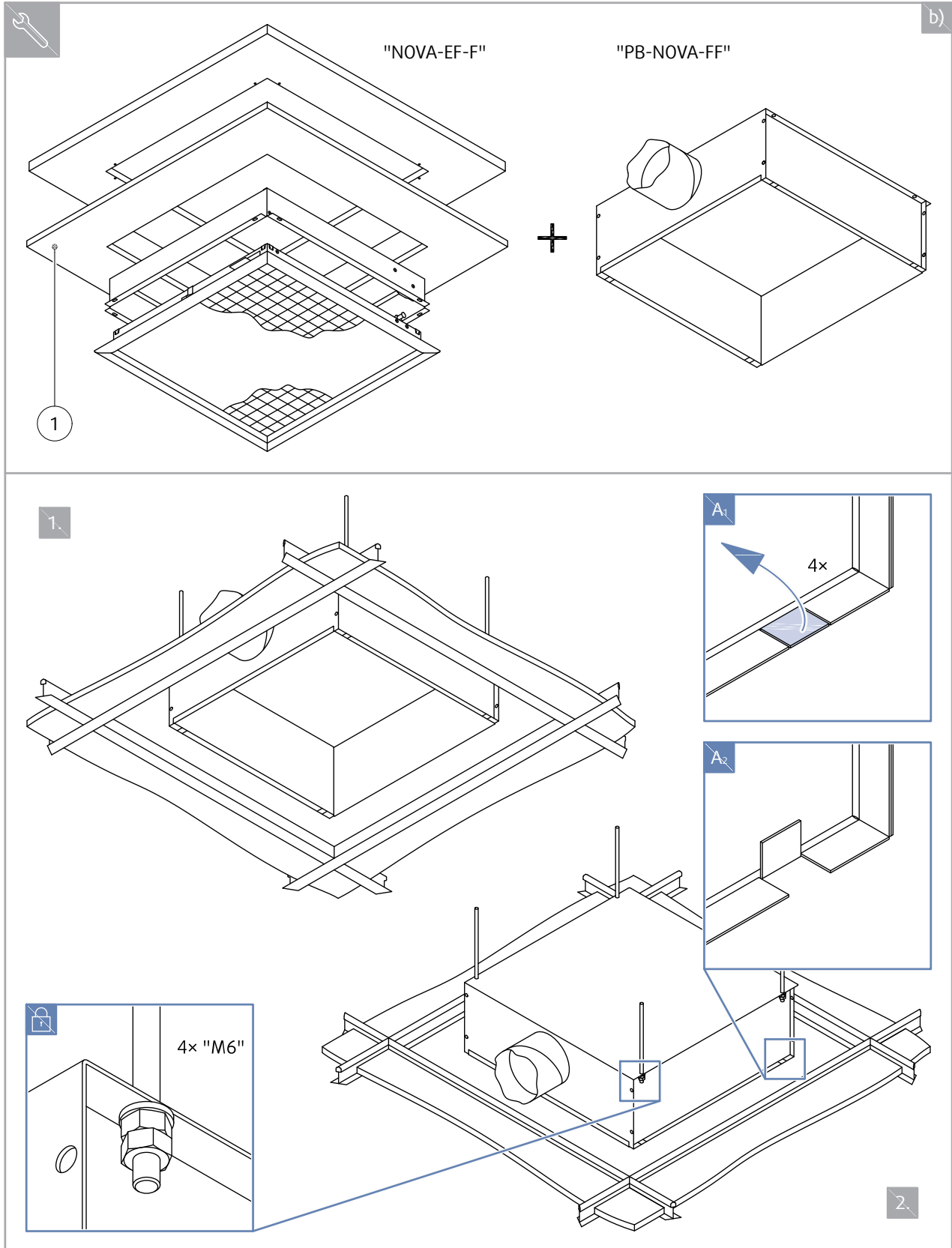
b) Installation with use of plasterboard

P4 Ceiling mounting frame

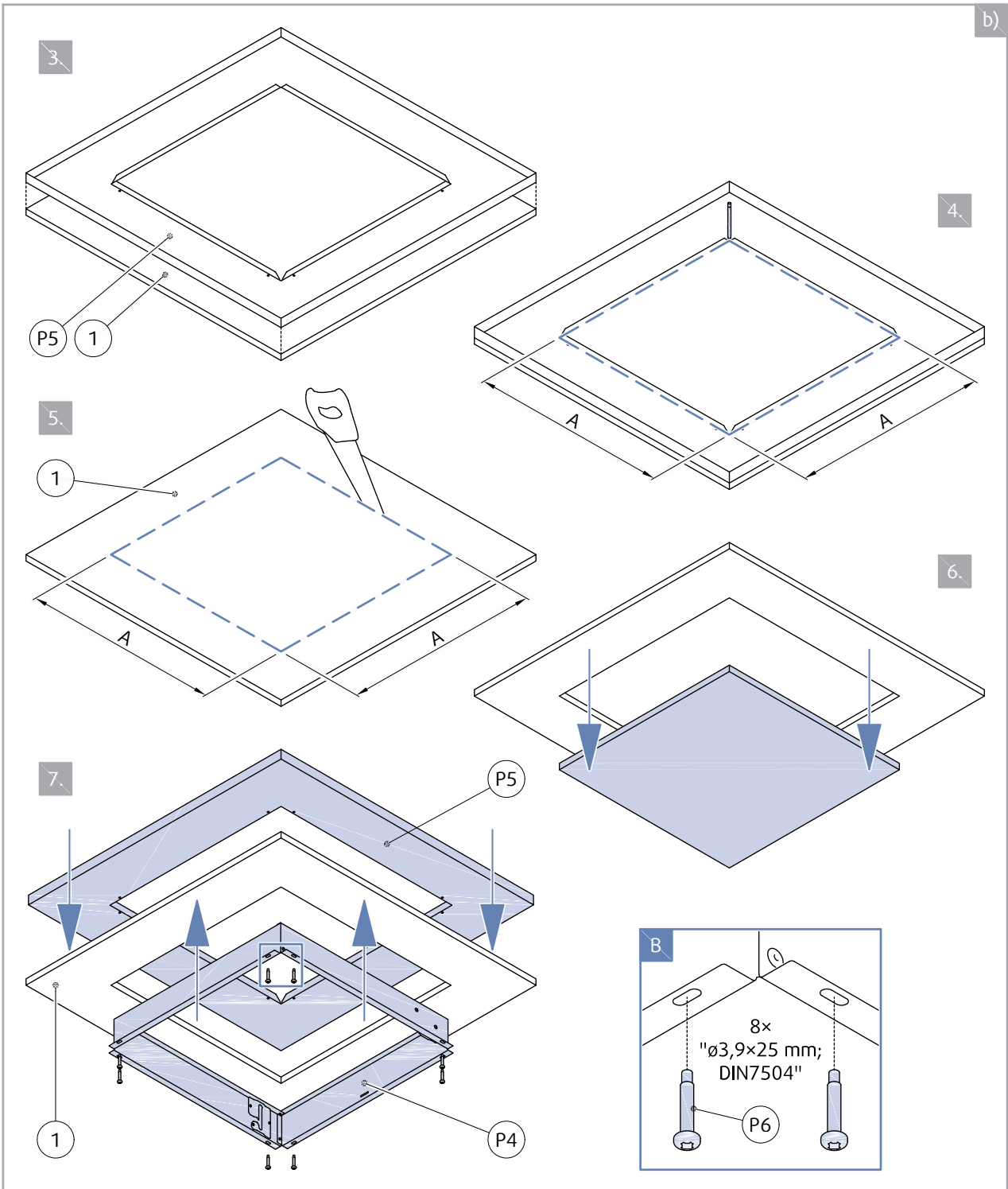
P5 Ceiling frame adapter

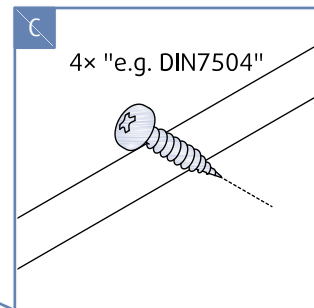
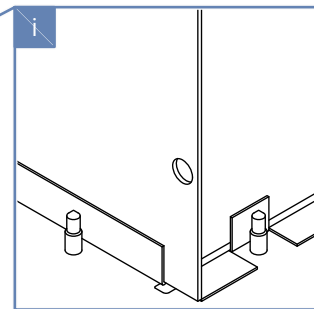
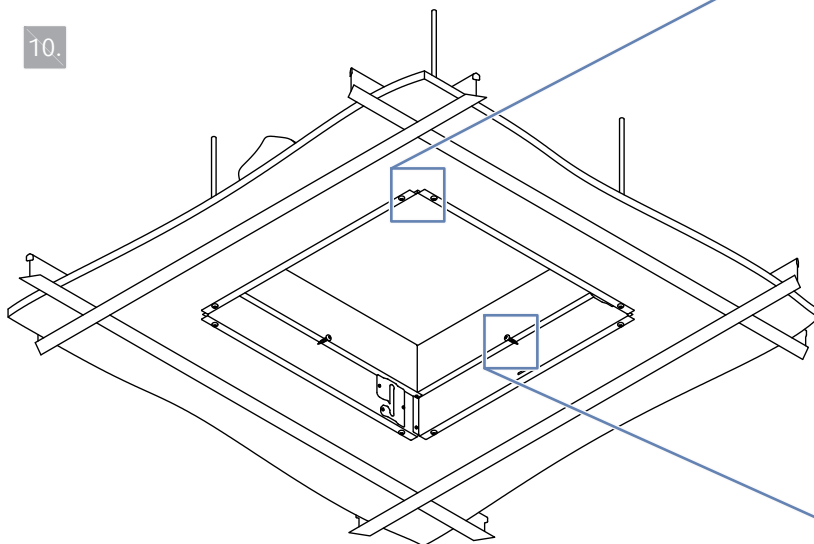
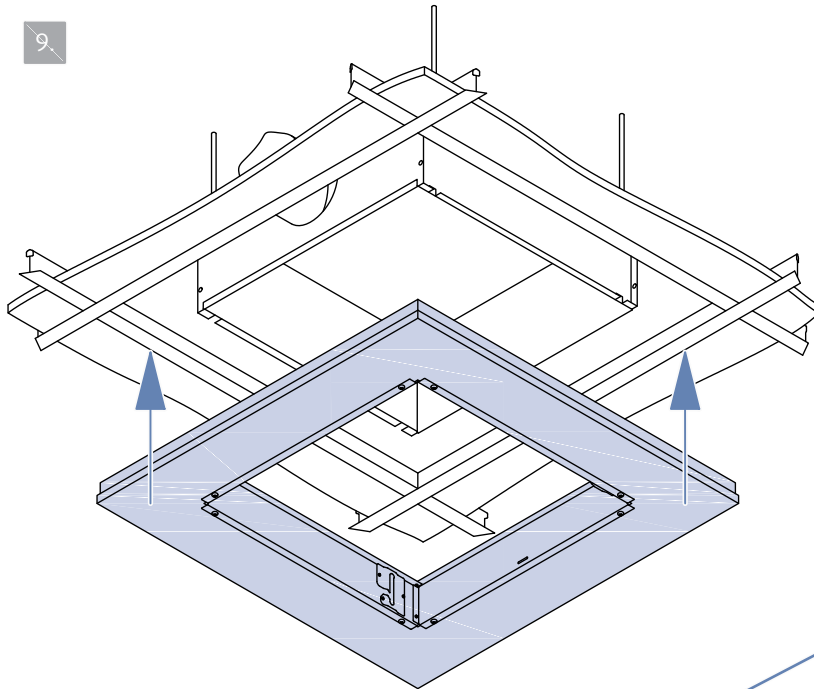
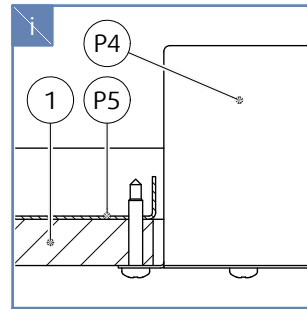
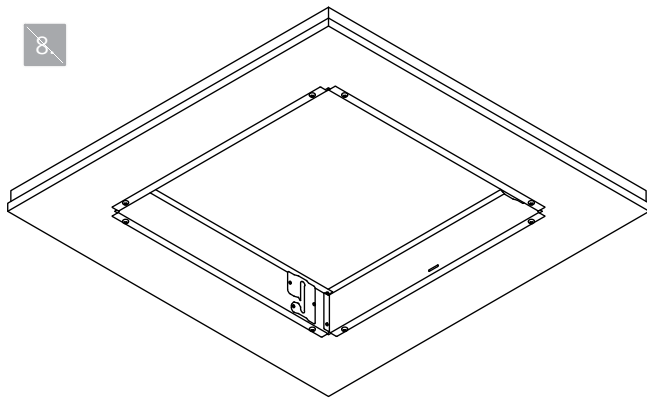
P6 Screw 3,9 × 25 mm; DIN7504

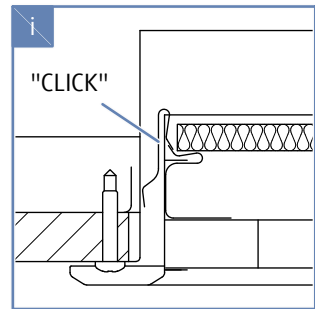
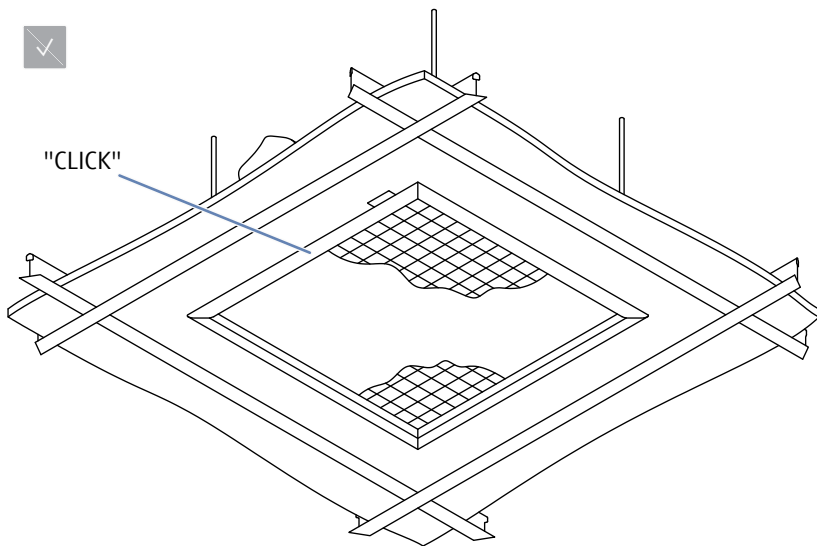
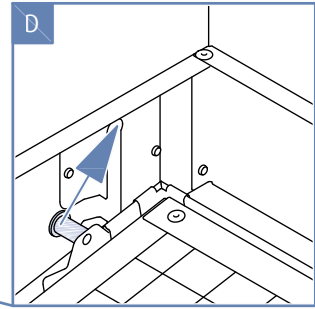
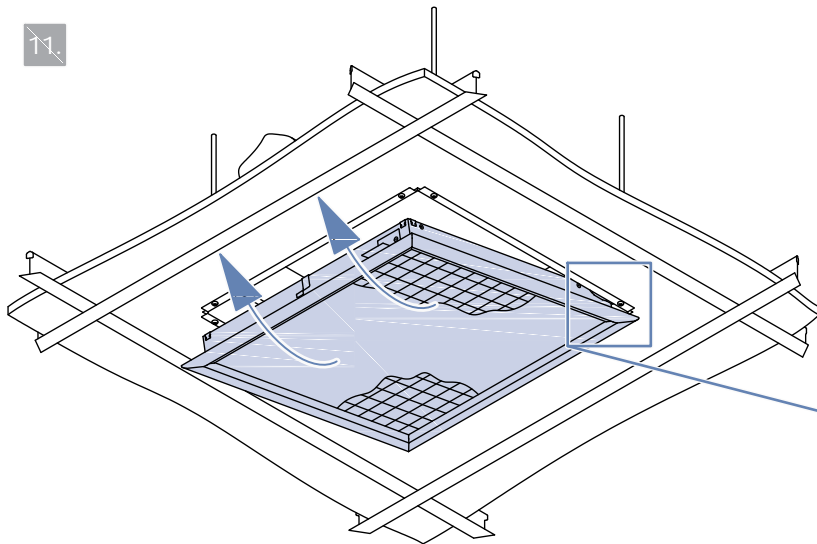
1 Plasterboard

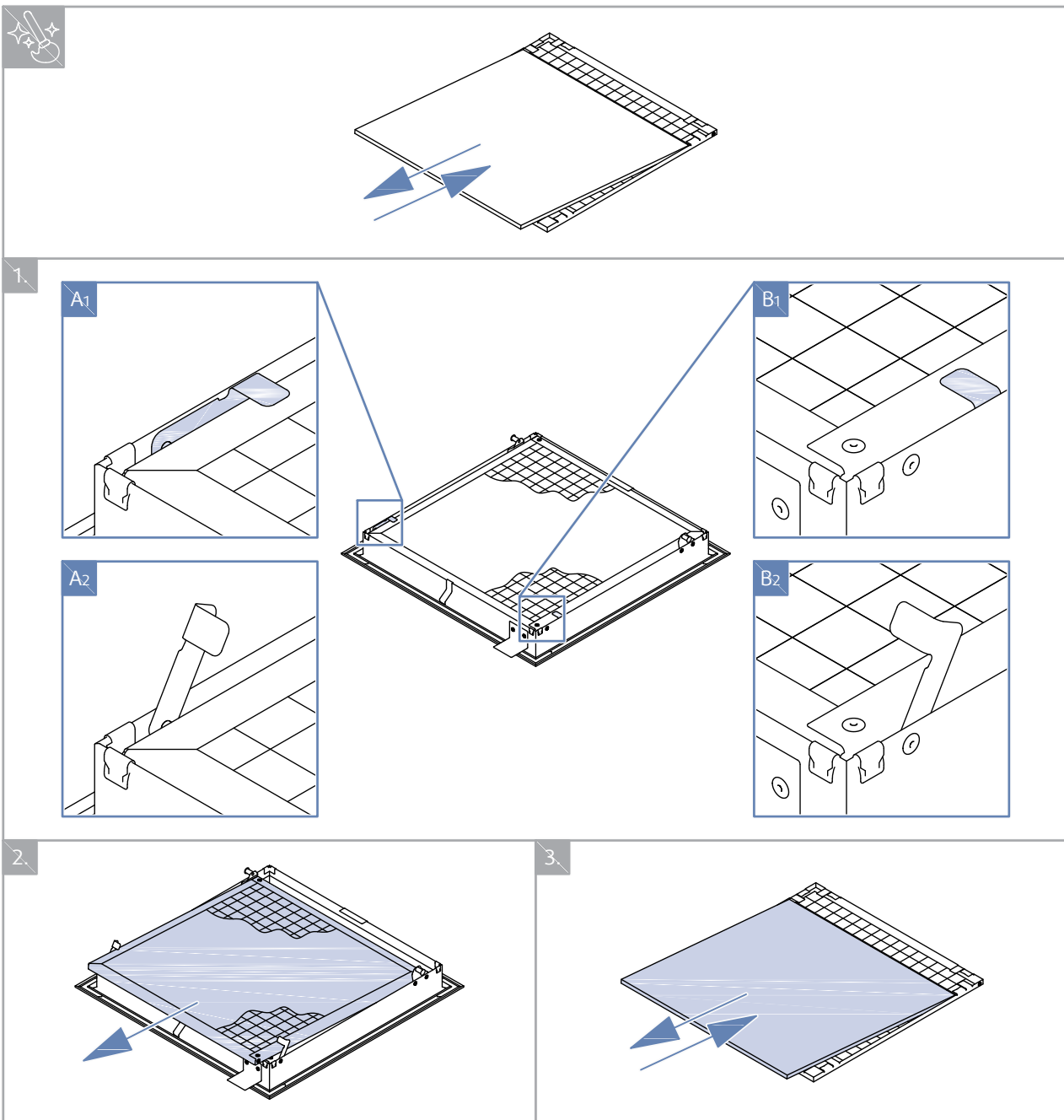


b)

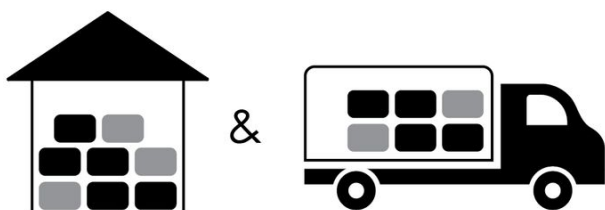







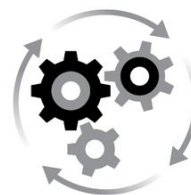


Transport, Storage and Operation



 °C -40 °C ... +50 °C

 % ≤ 95%



 °C -20 °C ... +70 °C

 % ≤ 95%

Supplement

Any deviations from the technical specifications contained herein and the terms should be discussed with the manufacturer. We reserve the right to make any changes to the product without prior notice, provided that these changes do not affect the quality of the product and the required parameters. Current information on all products is available on design.systemair.com

