

NOVA-R

Aluminium Non-Transparent Grille

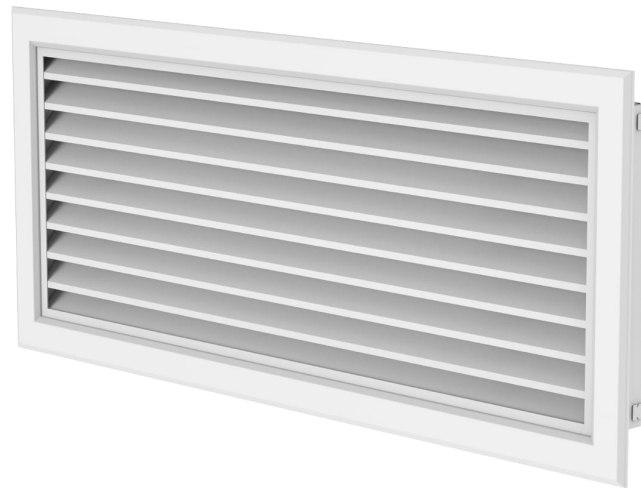


Table of Contents

Description	3
Dimensions & Weights	5
Ordering Codes	7
Accessories	8
Installation	22
Transport, Storage and Operation	29
Supplement	30

Description

NOVA-R is a non-transparent diffusion grille. The product is intended for air extract. The product is installed into rectangular ducts or into walls. For a balanced distribution of air through the entire grille it is recommended to use the R1-NOVA damper or a plenum box. The field of application is industrial and commercial premises with higher emphasis on appearance.

Highlights

- Design with emphasized aesthetics
- Lightweight and non-transparent construction

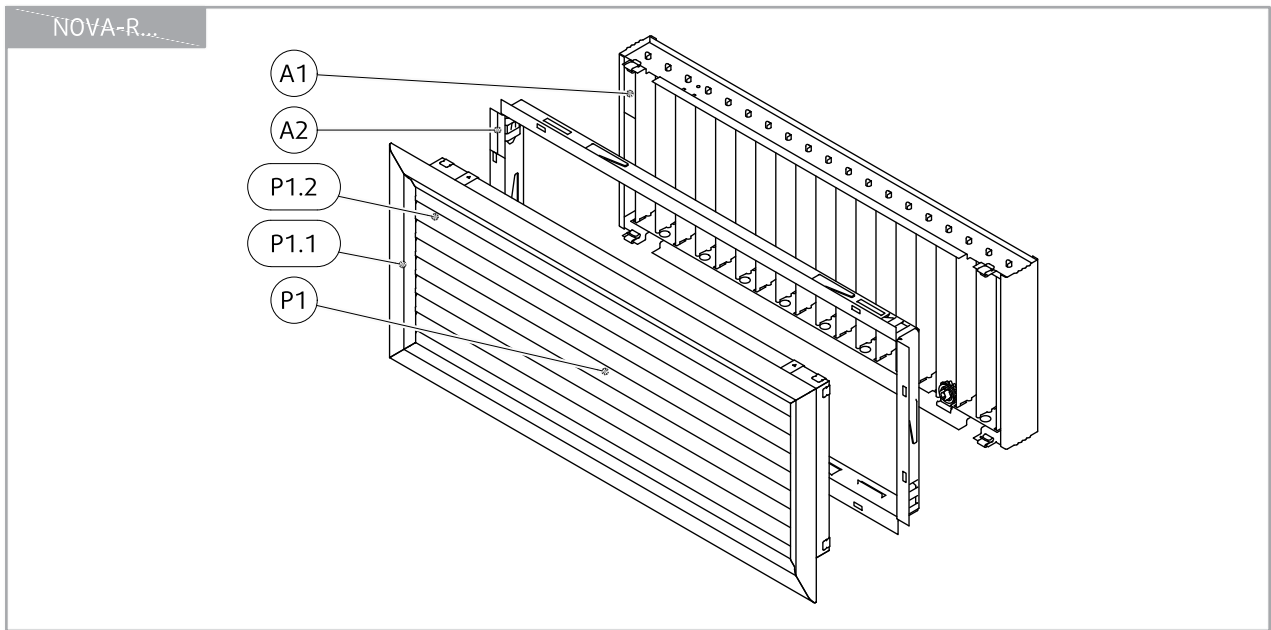
List of Accessories

- **ODEN:** Plenum Box with Basic Air Adjustment for NOVA
- **R1-NOVA:** Damper for NOVA
- **UR-NOVA:** Mounting Frame for NOVA

Design

NOVA-R is manufactured from anodized aluminium profiles. The product consists of a frame and 1 layer of fixed blades. The blades are oriented horizontally. Axial pitch of the blades is 20 mm. The blades are inclined downwards in a 45° angle. The product is provided in anodized surface finish or powder painted to RAL9003 (signal white) as standard. Other RAL colours are available upon request.

Product Parts



Legend:

P1 - NOVA-R

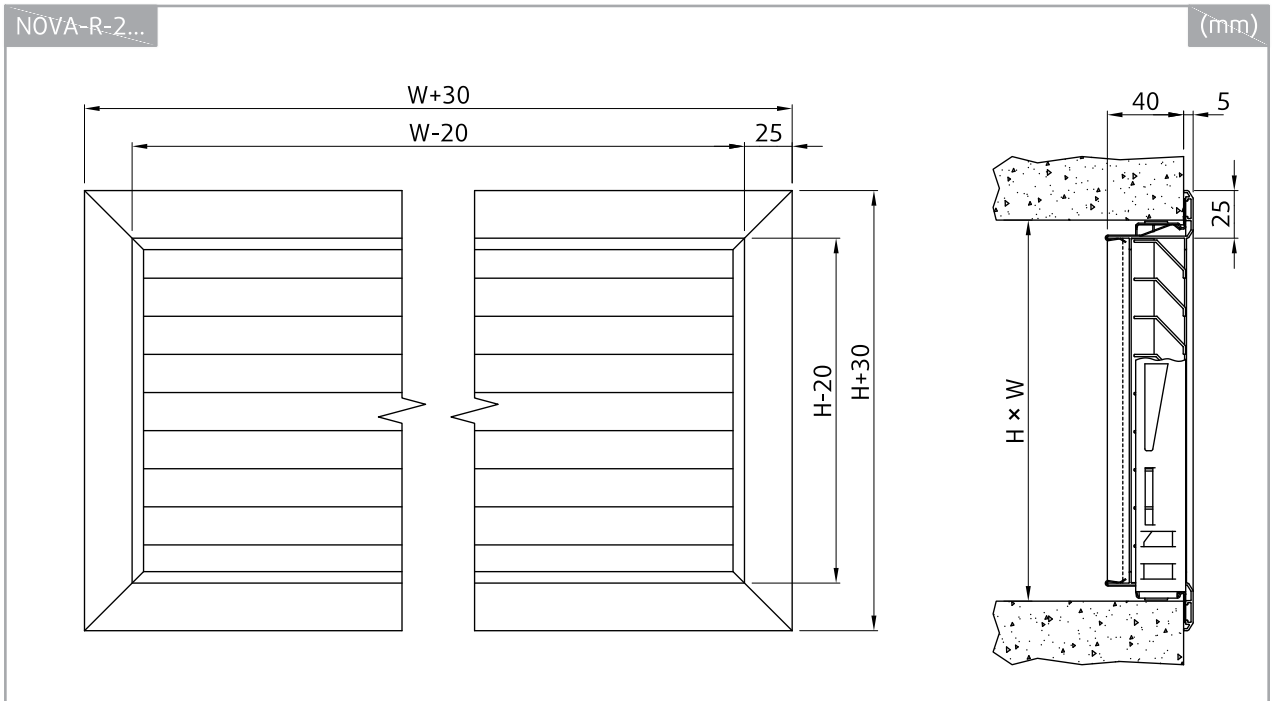
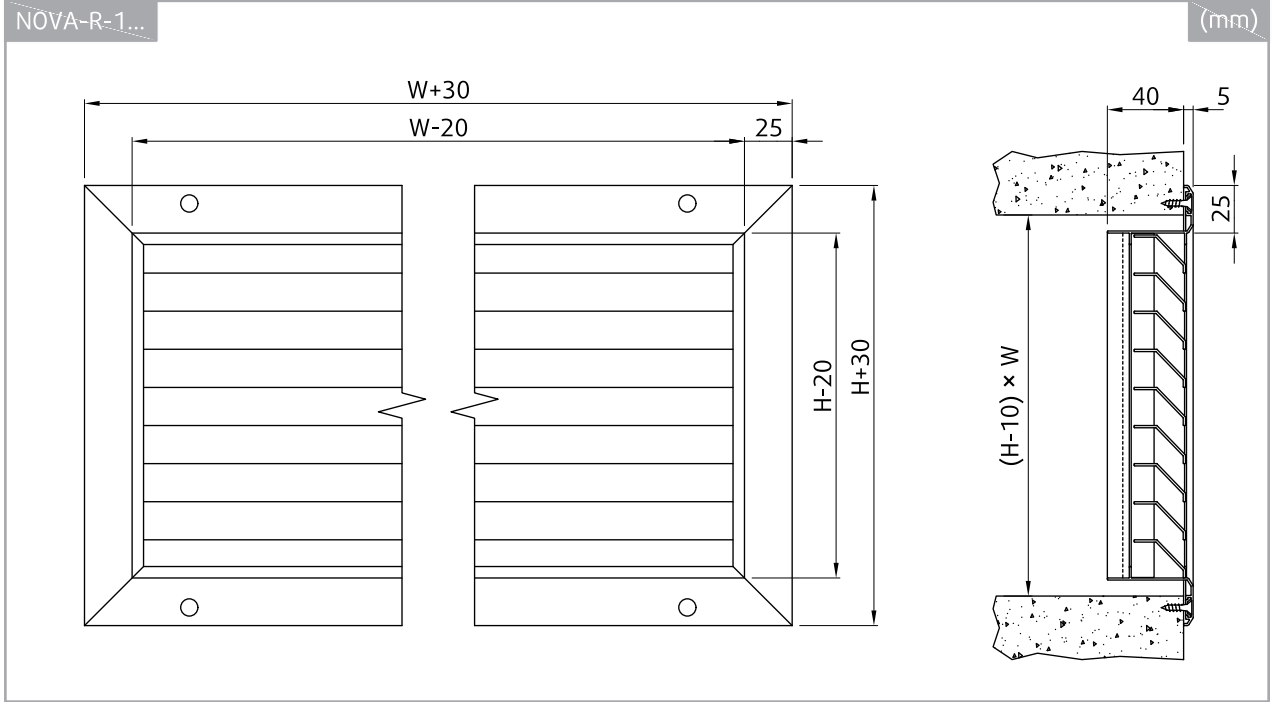
P1.1 - Grille frame

P1.2 - Blades

A1 R1-NOVA: Damper for NOVA

A2 UR-NOVA: Mounting Frame for NOVA

Dimensions & Weights



W	H	A _v	m
mm		m ²	kg
200	100	0,005	0,28
	150	0,008	0,37
	200	0,012	0,48
300	100	0,008	0,38
	150	0,013	0,49
	200	0,020	0,63
	300	0,033	0,88
400	100	0,011	0,47
	150	0,018	0,60
	200	0,029	0,78
	300	0,047	1,10
	400	0,064	1,42
500	100	0,014	0,56
	150	0,023	0,72
	200	0,037	0,94
	300	0,060	1,32
	400	0,083	1,70
	500	0,106	2,08
600	100	0,017	0,65
	150	0,028	0,83
	200	0,045	1,09
	300	0,073	1,53
	400	0,102	1,97
	500	0,130	2,42
800	100	0,023	0,84
	150	0,038	1,08
	200	0,061	1,42
	300	0,099	2,00
	400	0,137	2,58
	500	0,175	3,16
1000	100	0,029	1,03
	150	0,048	1,32
	200	0,077	1,73
	300	0,126	2,44
	400	0,174	3,14
	500	0,222	3,85
1200	100	0,035	1,21
	150	0,059	1,55
	200	0,094	2,04
	300	0,152	2,87
	400	0,211	3,70
	500	0,270	4,53

W	H	A _v	m
mm		m ²	kg
225	125	0,007	0,35
	225	0,016	0,56
325	125	0,011	0,46
	225	0,025	0,73
	325	0,039	1,00
425	125	0,015	0,56
	225	0,035	0,89
	325	0,054	1,23
525	425	0,073	1,56
	125	0,019	0,66
	225	0,044	1,06
	325	0,068	1,45
625	425	0,093	1,85
	525	0,117	2,24
	125	0,024	0,77
825	225	0,053	1,22
	325	0,083	1,68
	425	0,112	2,14
	525	0,142	2,60
	125	0,031	0,99
1025	225	0,071	1,59
	325	0,110	2,18
	425	0,149	2,78
	525	0,188	3,37
	125	0,040	1,20
1225	225	0,089	1,92
	325	0,139	2,64
	425	0,188	3,36
	525	0,238	4,08
	125	0,048	1,41
1225	225	0,108	2,25
	325	0,168	3,10
	425	0,228	3,94
	525	0,288	4,79

Ordering Code

NOVA-R-

Mounting

1 Screws

2 Spring clips

Dimensions

W × H

Surface finish ²

SW Signal white (RAL9003)

AN Anodized

RALXXXX Other RAL colour

Example of the Ordering Code

NOVA-R-2-325×125-UR-AN

An aluminium non-transparent grille with spring clips mounting, intended for a structural opening with dimensions 325 mm × 125 mm, with a mounting frame and anodized surface finish.

NOTES:

1. The mounting frame is not automatically included in a standard order, if interested in type "2" mounting using spring clips, please remember to add the "UR" option into the ordering code.
2. In case the RAL surface finish is not specified in the ordering code, the product will be delivered with an anodized surface finish as default.

Accessories

ODEN

Plenum Box with Basic Air Adjustment for NOVA

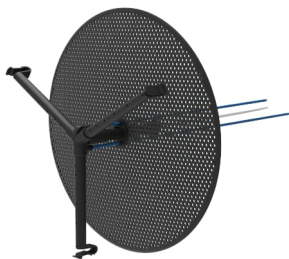


Description

ODEN is a plenum box for NOVA grilles. The product is intended to balance distribution of air through the entire grille. The product is intended for air supply as well as for air extract. The product is installed at the end of circular ducts. No need for UR-NOVA if ODEN is used.

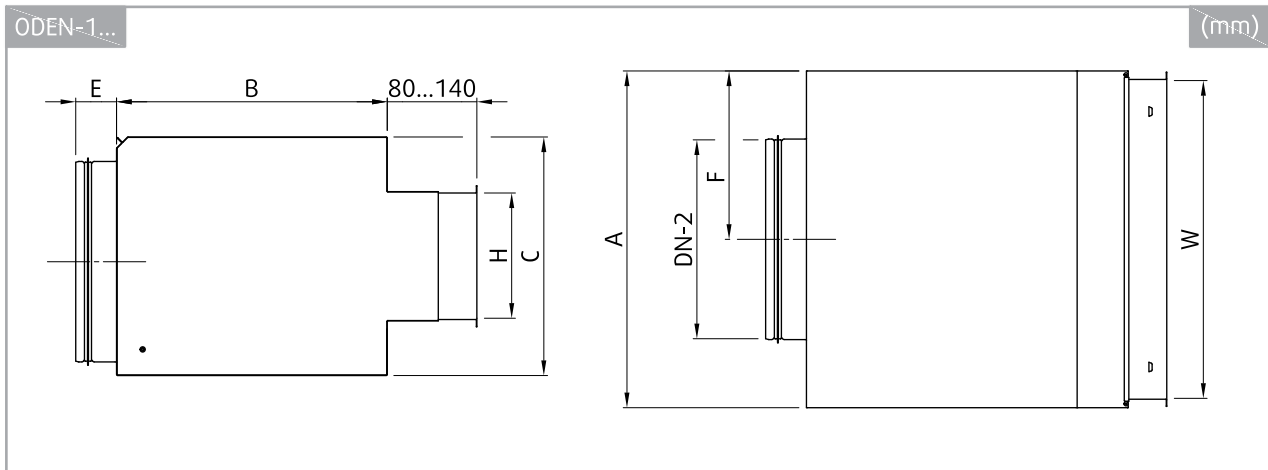
Design

ODEN is manufactured from galvanized steel sheet. The product consists of a box casing, internal insulation, a grille connection, a duct connection, and a ZEUS damper. The grille connection has a sleeve with adjustable length. The duct connection is on rear, long or short side and has a rubber sealing. The ZEUS damper contains plastic tubes for pressure loss measuring.

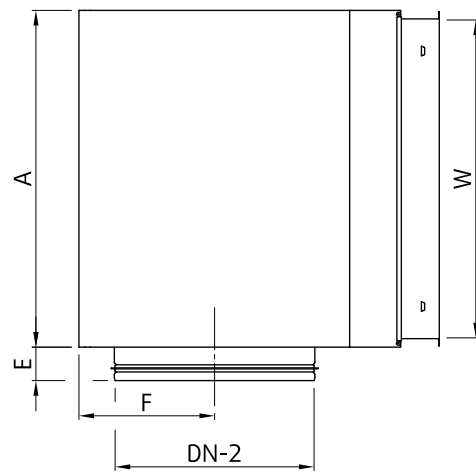
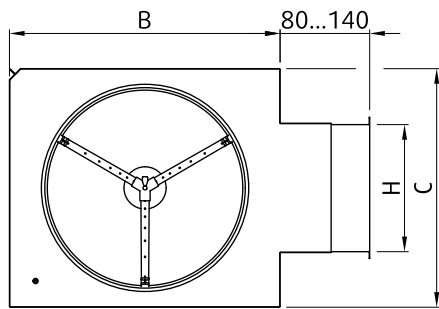


ZEUS damper

Dimensions



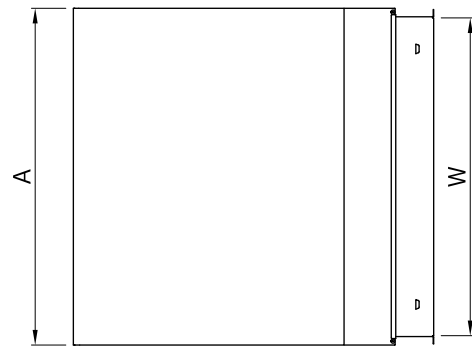
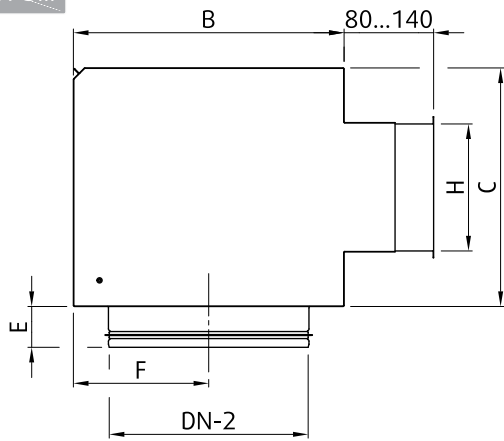
ODEN-1...	DN	W	H	A	B	C	E	F	m
	mm								kg
200×100	125	200	100	224	241	175	60	112	2,2
300×100	160	300	100	324	281	210	60	162	3,2
400×100	160	400	100	424	281	210	60	212	3,8
500×100	200	500	100	524	311	250	60	262	5,0
300×150	200	300	150	324	311	250	60	162	3,6
400×150	250	400	150	424	361	300	60	212	5,0
500×150	250	500	150	524	361	300	60	262	5,8
800×150	250	800	150	824	361	300	60	412	8,1
500×200	315	500	200	524	421	370	65	262	6,9
600×200	315	600	200	624	421	370	65	312	7,8
800×200	315	800	200	824	421	370	65	412	9,5



ODEN-2...	DN	W	H	A	B	C	E	F	m
	mm								kg
200×100	125	200	100	224	241	175	60	121	2,2
300×100	160	300	100	324	281	210	60	141	3,2
400×100	160	400	100	424	281	210	60	141	3,8
500×100	200	500	100	524	311	250	60	156	5,0
300×150	200	300	150	324	311	250	60	156	3,6
400×150	250	400	150	424	361	300	60	181	5,0
500×150	250	500	150	524	361	300	60	181	5,8
800×150	250	800	150	824	361	300	60	181	8,1
500×200	315	500	200	524	421	370	65	211	6,9
600×200	315	600	200	624	421	370	65	211	7,8
800×200	315	800	200	824	421	370	65	211	9,5

ODEN-3...

(mm)



ODEN-3...	DN	W	H	A	B	C	E	F	m
	mm								kg
200×100	125	200	100	224	241	175	60	121	2,2
300×100	160	300	100	324	281	210	60	141	3,2
400×100	160	400	100	424	281	210	60	141	3,8
500×100	200	500	100	524	311	250	60	156	5,0
300×150	200	300	150	324	311	250	60	156	3,6
400×150	250	400	150	424	361	300	60	181	5,0
500×150	250	500	150	524	361	300	60	181	5,8
800×150	250	800	150	824	361	300	60	181	8,1
500×200	315	500	200	524	421	370	65	211	6,9
600×200	315	600	200	624	421	370	65	211	7,8
800×200	315	800	200	824	421	370	65	211	9,5

Ordering Codes

ODEN-

Duct connection

1 Rear

2 Lateral

3 Top

Dimensions

W x H

Example of the Ordering Code

ODEN-1-400x100

Plenum box with basic air adjustment for NOVA, with rear duct connection, dimensions 400 mm × 100 mm.

R1-NOVA

Damper for NOVA



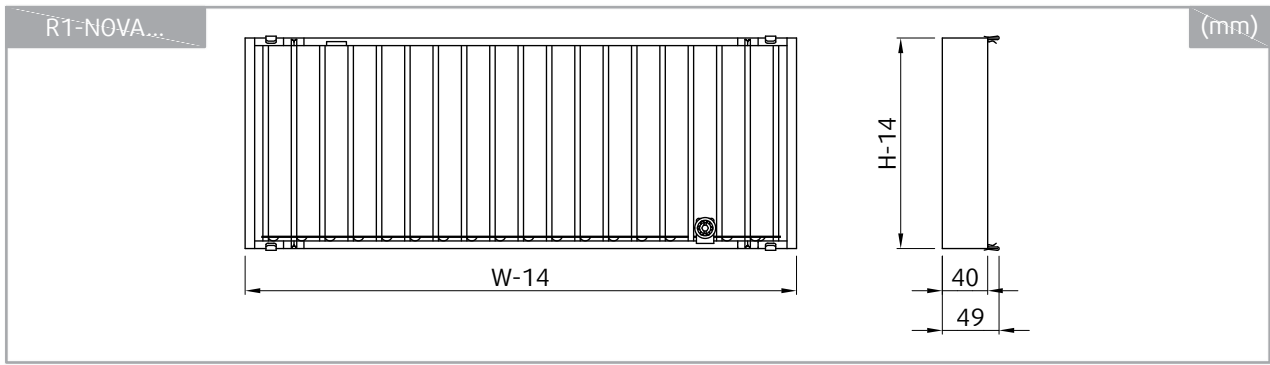
Description

R1-NOVA is a damper for NOVA grilles. The product is intended to balance distribution of air through the entire grille. The product is intended for air supply as well as for air extract. The damper changes the air flow using its regulating wheel.

Design

R1-NOVA is manufactured from galvanized steel sheet. The product consists of a frame, adjustable blades and a regulating wheel. The regulating wheel is operated by a flap tip screwdriver. The blades are opposed and interconnected. The blades angle controls the air flow. The product is provided without any additional surface finish.

Dimensions



W	H	m
mm		kg
200	100	0,36
	150	0,48
	200	0,61
300	100	0,53
	150	0,71
	200	0,90
	300	1,27
400	100	0,69
	150	0,93
	200	1,18
	300	1,67
	400	2,15
500	100	0,86
	150	1,15
	200	1,47
	300	2,07
	400	2,67
	500	3,29
600	100	1,03
	150	1,38
	200	1,75
	300	2,47
	400	3,19
	500	3,93

W	H	m
mm		kg
225	75	0,32
	125	0,47
	225	0,75
325	75	0,46
	125	0,67
	225	1,06
	325	1,46
425	75	0,61
	125	0,87
	225	1,39
	325	1,90
	425	2,42
525	75	0,74
	125	1,07
	225	1,70
	325	2,33
	425	2,96
	525	3,61
625	75	0,88
	125	1,26
	225	2,01
	325	2,76
	425	3,50
	525	4,28

W	H	m
mm		kg
800	100	1,40
	150	1,86
	200	2,35
	300	3,30
	400	4,25
	500	5,23
1000	100	1,73
	150	2,30
	200	2,92
	300	4,10
	400	5,28
	500	6,50
1200	100	2,08
	150	2,76
	200	3,49
	300	4,91
	400	6,32
	500	7,78

W	H	m
mm		kg
825	75	1,17
	125	1,68
	225	2,65
	325	3,63
	425	4,61
	525	5,62
1025	75	1,45
	125	2,08
	225	3,29
	325	4,50
	425	5,71
	525	6,96
1225	75	1,72
	125	2,47
	225	3,91
	325	5,36
	425	6,80
	525	8,29

Ordering Codes

Damper

R1-NOVA

Dimensions

W x H

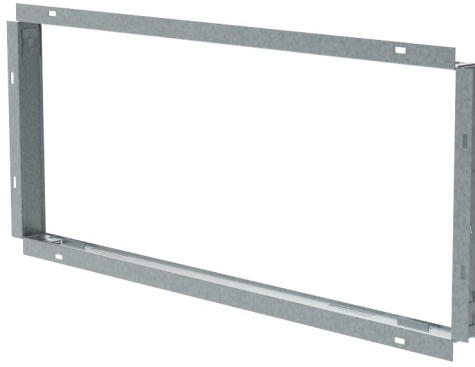
Example of the Ordering Code

R1-NOVA-1025x75

Damper for NOVA, dimensions 1025 mm × 75 mm.

UR-NOVA

Mounting Frame for NOVA



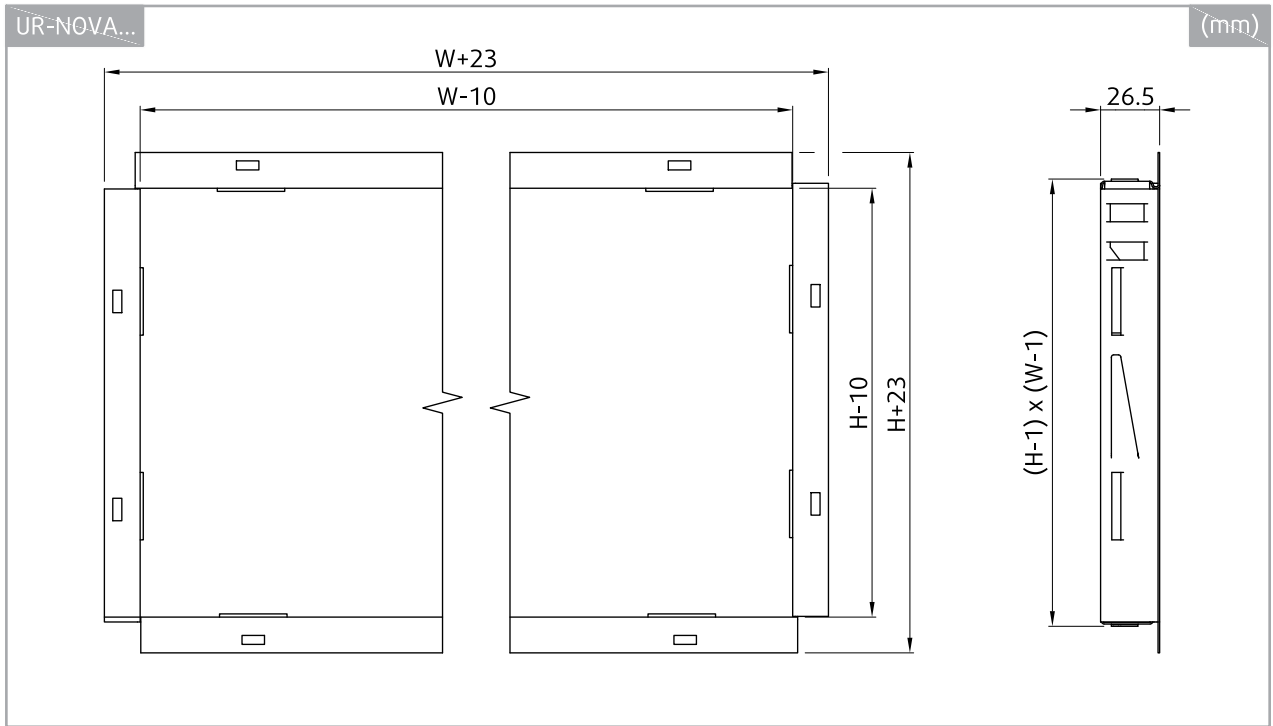
Description

UR-NOVA is a mounting frame for NOVA grilles. The product is intended to simplify the installation of a grille. The product is installed into a walls, ceilings or rectangular ducts.

Design

The product is manufactured from galvanized steel sheet. Non-standard version of the product manufactured from stainless steel is available upon request.

Dimensions



W	H	m
mm		kg
200	100	0,19
	150	0,22
	200	0,26
300	100	0,26
	150	0,29
	200	0,33
	300	0,39
400	100	0,33
	150	0,36
	200	0,39
	300	0,46
	400	0,53
500	100	0,39
	150	0,43
	200	0,46
	300	0,53
	400	0,59
	500	0,66
600	100	0,46
	150	0,49
	200	0,53
	300	0,59
	400	0,66
	500	0,73

W	H	m
mm		kg
225	75	0,19
	125	0,22
	225	0,29
325	75	0,26
	125	0,29
	225	0,36
	325	0,43
425	75	0,33
	125	0,36
	225	0,43
	325	0,49
	425	0,56
525	75	0,39
	125	0,43
	225	0,49
	325	0,56
	425	0,63
	525	0,69
625	75	0,46
	125	0,49
	225	0,56
	325	0,63
	425	0,69
	525	0,76

W	H	m
mm		kg
800	100	0,59
	150	0,63
	200	0,66
	300	0,73
	400	0,79
	500	0,86
1000	100	0,73
	150	0,76
	200	0,79
	300	0,86
	400	0,93
	500	1,00
1200	100	0,86
	150	0,90
	200	0,93
	300	1,00
	400	1,06
	500	1,13

W	H	m
mm		kg
825	75	0,59
	125	0,63
	225	0,69
	325	0,76
	425	0,83
	525	0,90
1025	75	0,73
	125	0,76
	225	0,83
	325	0,90
	425	0,96
	525	1,03
1225	75	0,86
	125	0,90
	225	0,96
	325	1,03
	425	1,10
	525	1,16

Ordering Codes

Mounting frame

UR-NOVA

Dimensions

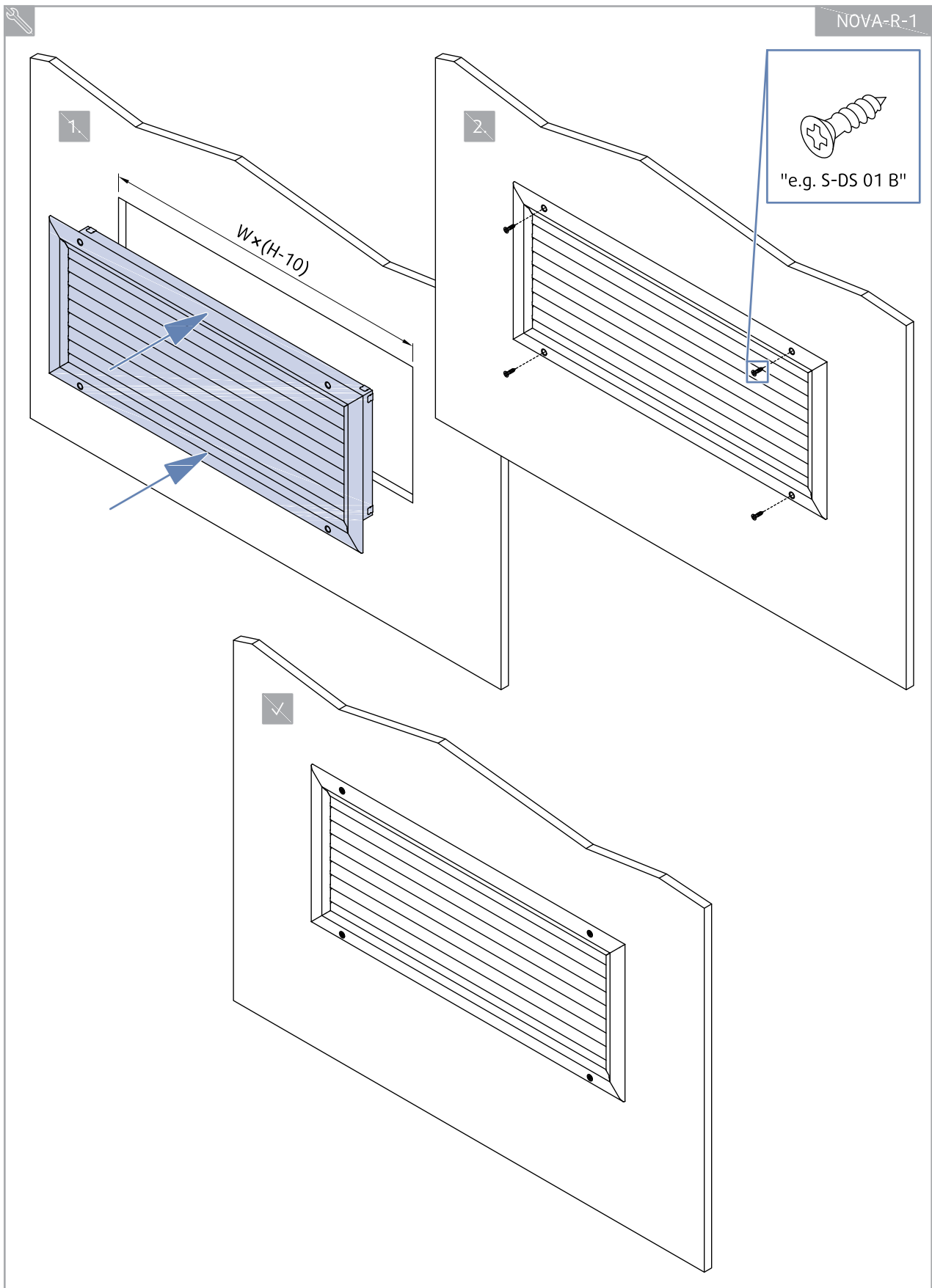
W x H

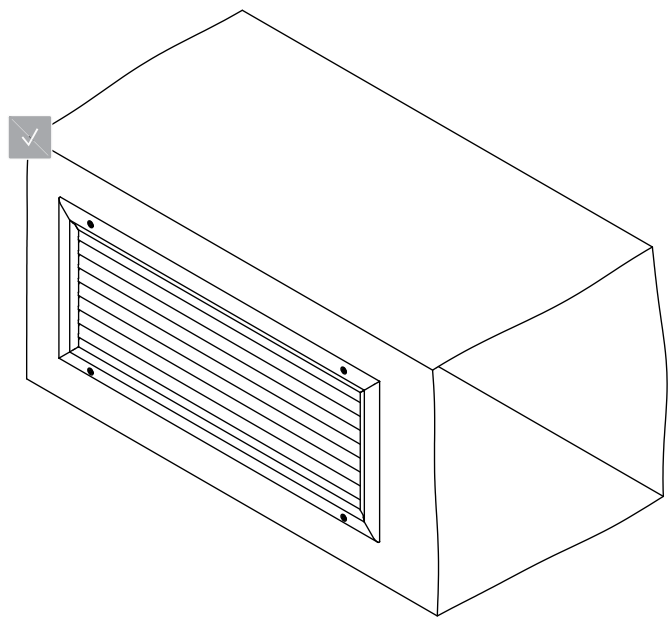
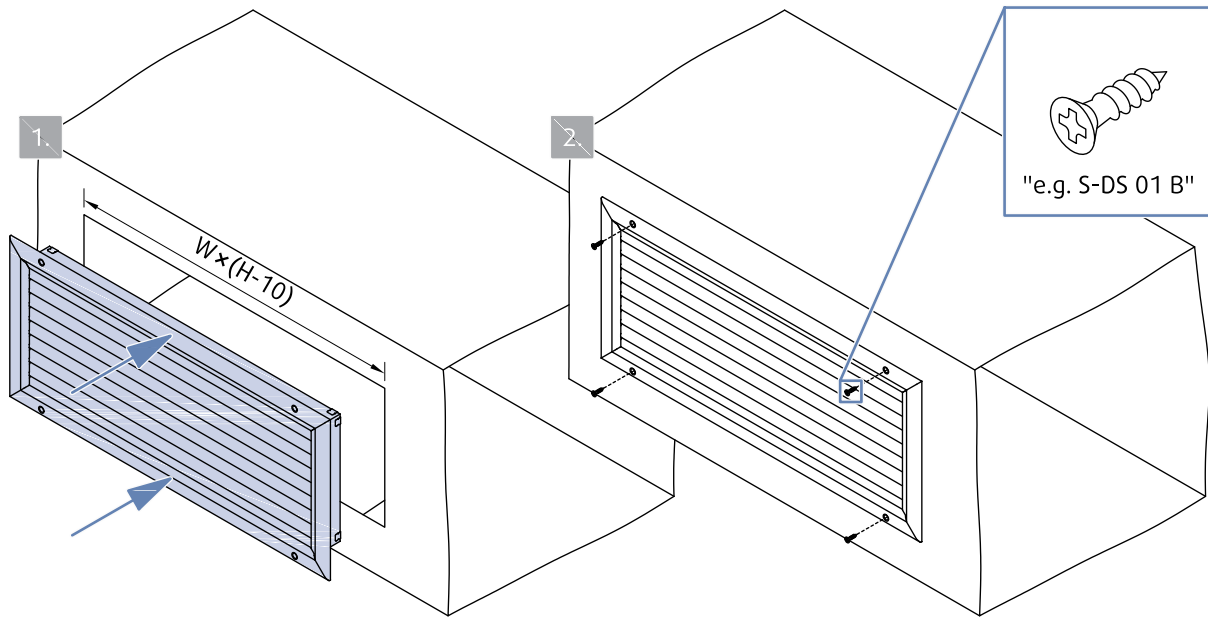
Example of the Ordering Code

UR-NOVA-1025x125

Mounting frame for NOVA, dimensions 1025 mm × 125 mm from galvanized steel.

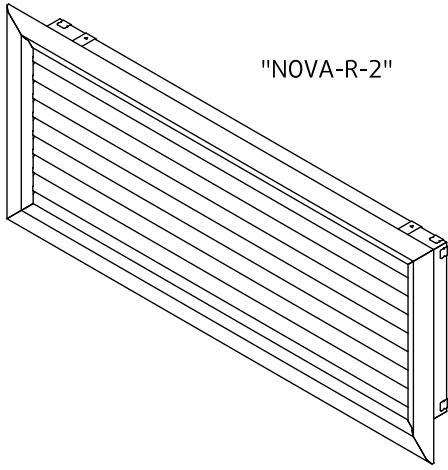
Installation





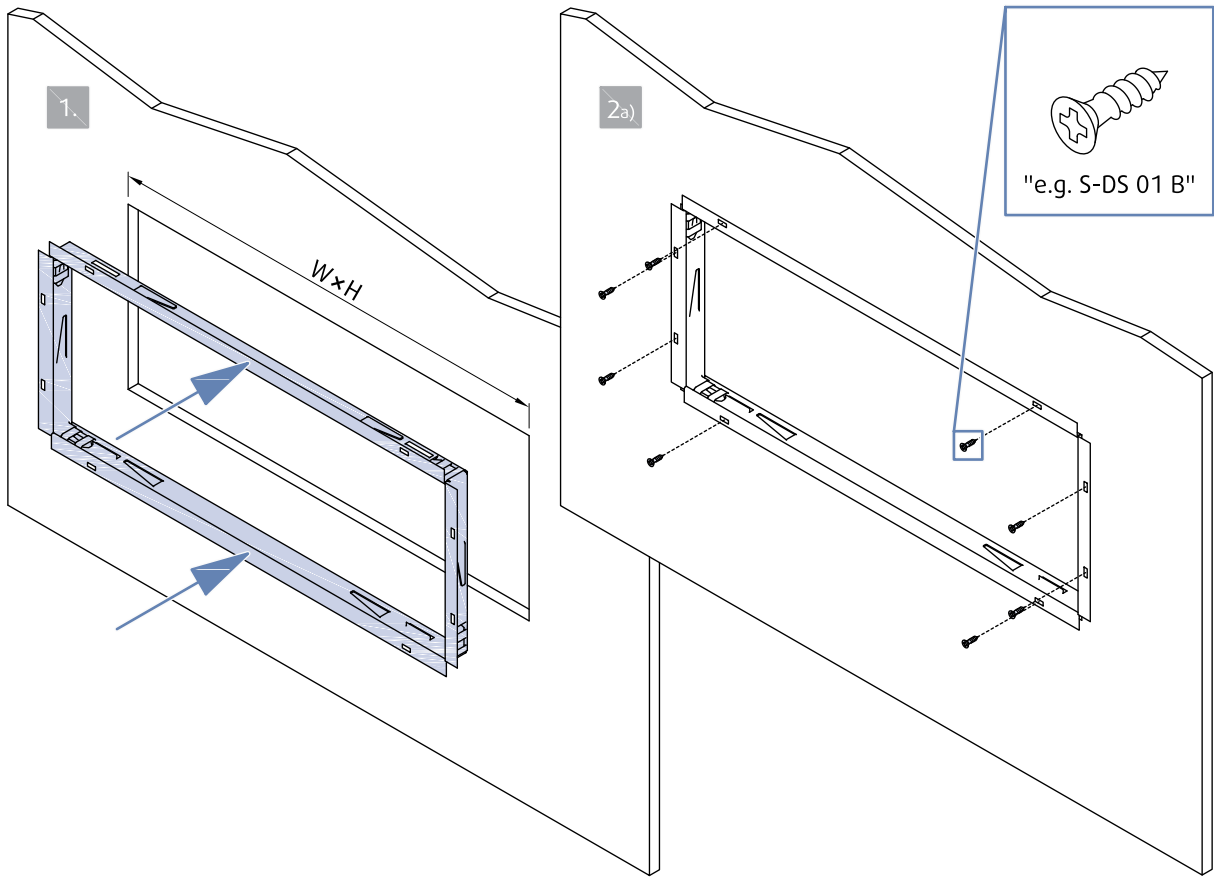
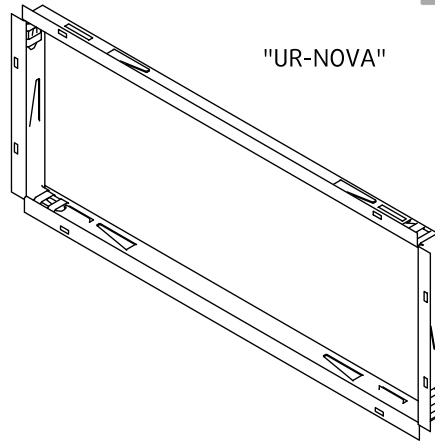


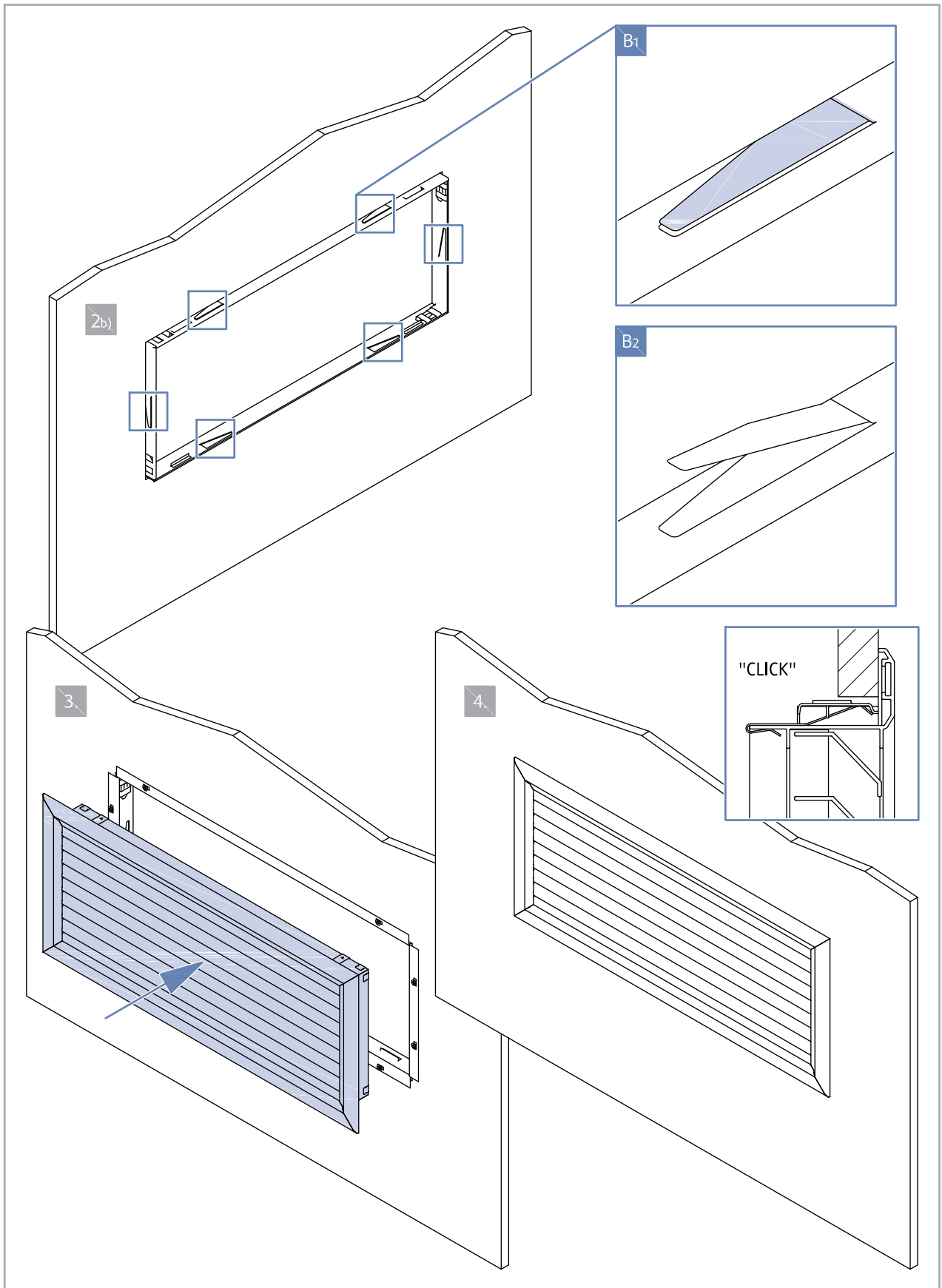
"NOVA-R-2"



+

"UR-NOVA"

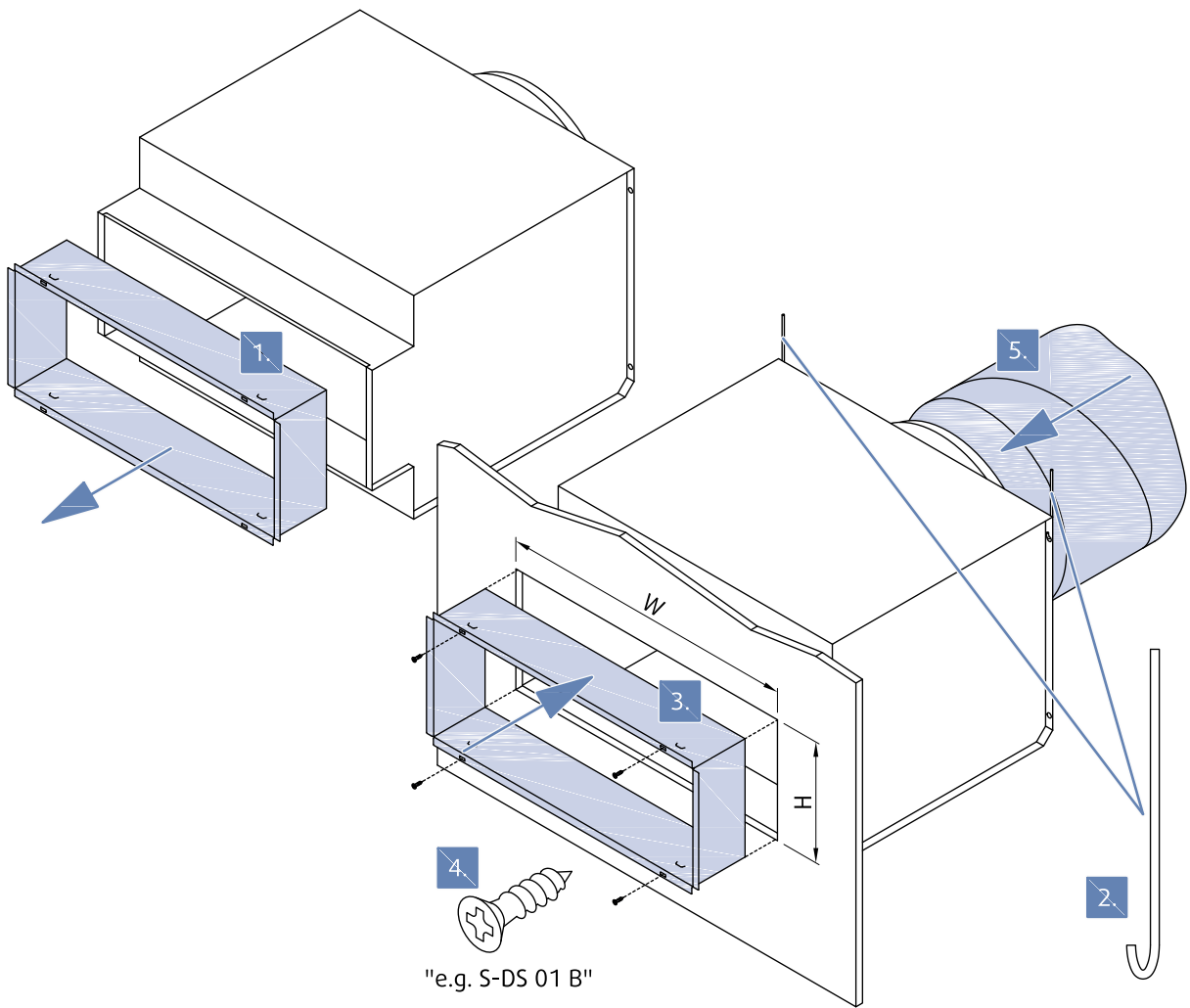
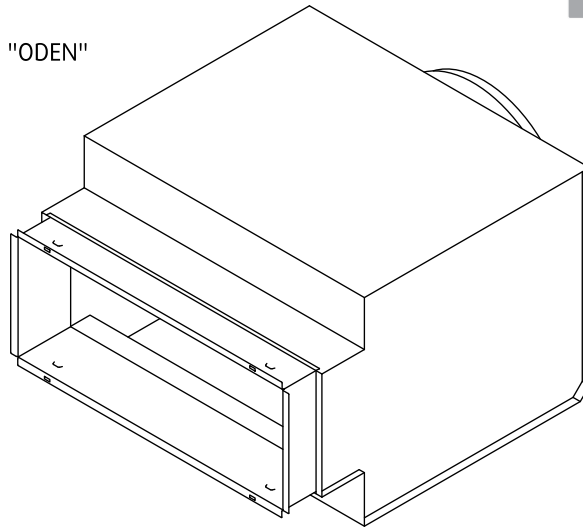
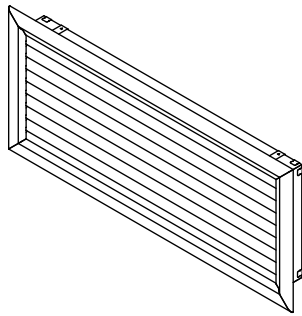


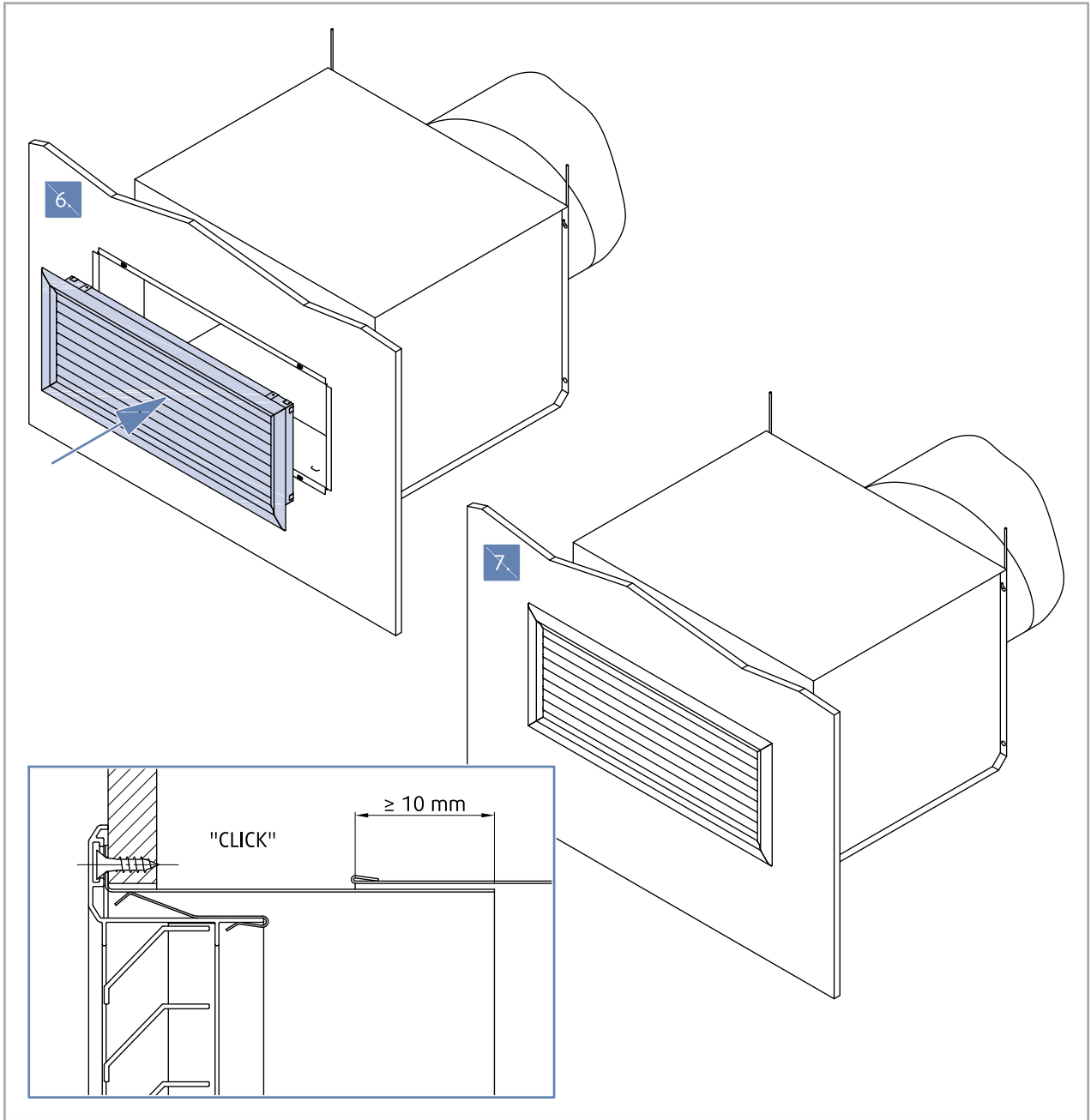


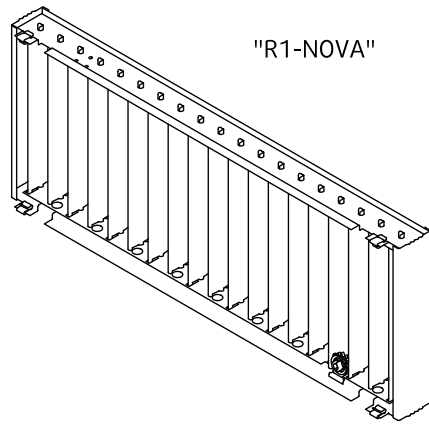
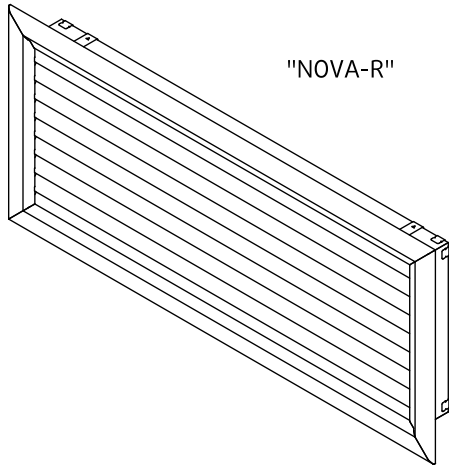


"NOVA-R-2"

"ODEN"



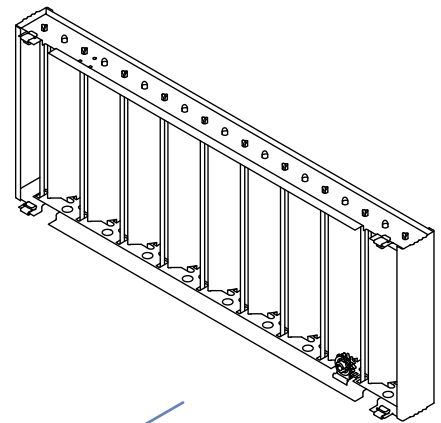
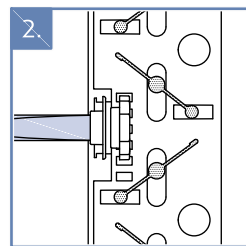
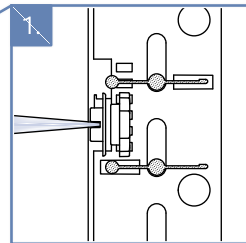
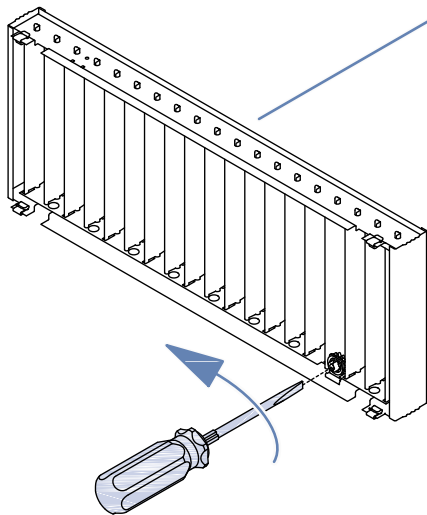
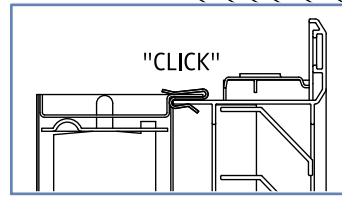
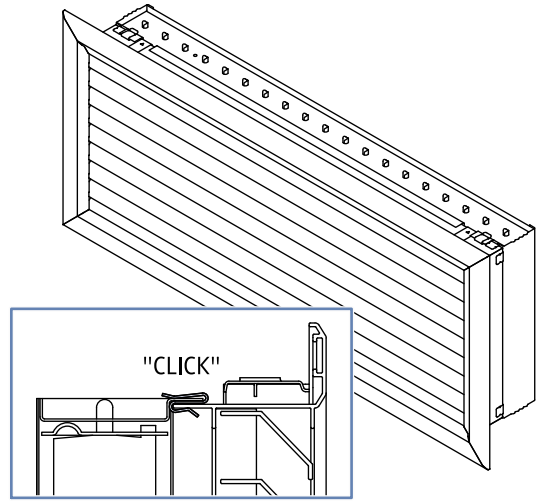
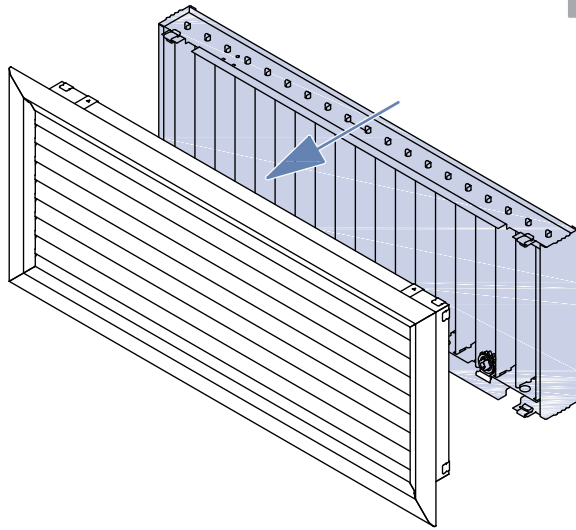




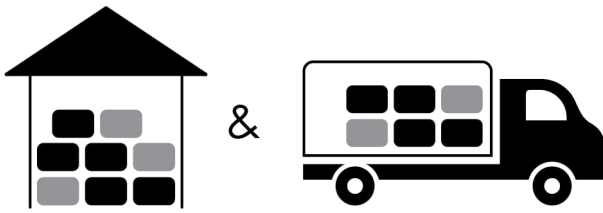
+


1.


2.




Transport, Storage and Operation




 °C -40 °C ... +50 °C

 % ≤ 95%



 °C -20 °C ... +70 °C

 % ≤ 95%

Supplement

Any deviations from the technical specifications contained herein and the terms should be discussed with the manufacturer. We reserve the right to make any changes to the product without prior notice, provided that these changes do not affect the quality of the product and the required parameters. Current information on all products is available on design.systemair.com.



Handbook_NOVA_R_en-GB
design.systemair.com
www.systemair.com

© Copyright Systemair Production a.s
All rights reserved
E&OE

Systemair reserves the right to alter their products without notice.
This also applies to products already ordered, as long as it does not affect the previously agreed specifications.