



AR3500/4200

Recessed air curtain for commercial premises, with intelligent control

Recommended installation height *

AR3500: 3,5 m

AR4200: 4,2 m

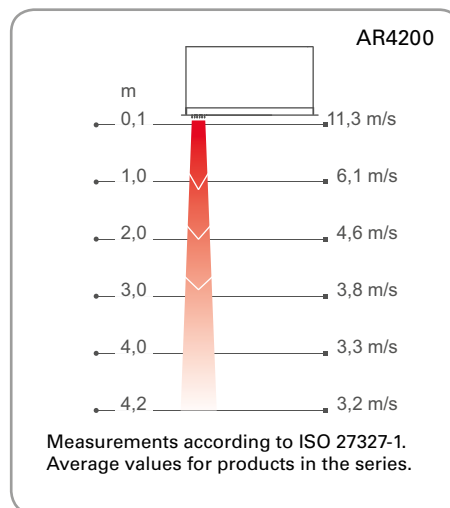
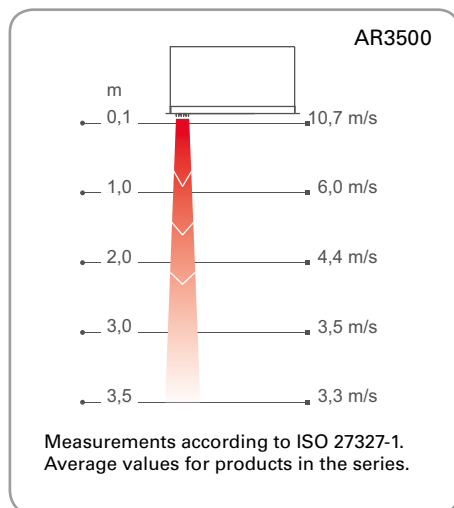
With its concealed placement, AR3500/4200 is very unobtrusive and with that particularly suitable for environments where the design is important.

- Low sound level.
- Mounting with threaded bars. The threaded bars can also be fixed on the inside of the unit e.g. when mounted on a solid suspended ceiling.
- Corrosion proof housing made of hot zinc-plate and powder enamelled steel panels. Colour frame and hatch: white, RAL 9016, NCS S 0500-N. Colour grille: grey, RAL 7046. The frame and hatch can be painted in an optional colour.



Optimized airflow with Thermozone technology.

Air velocity profile



Control



SIRe Basic



SIRe Competent



SIRe Advanced

This air curtain is supplied prepared for the SIRe control system that has many smart and energy saving functions. There are three different levels with different functionality to choose from, Basic, Competent or Advanced. Water heated units must always be supplemented with valves.

For further information and options, see the "Controls" section.

*) Recommended installation height varies depending on the relevant premises.

Recommended installation height 3,5 m

🌀 Ambient, no heat - AR3500 A (IP20)

Type	Output [kW]	Airflow* ¹ [m ³ /h]	Sound power* ² [dB(A)]	Sound pressure* ³ [dB(A)]	Voltage Amperage (control)	Length [mm]	Weight [kg]
AR3510A	0	1100/2300	78	42/62	230V~/2,45 A	1057	38
AR3515A	0	1550/3400	79	43/63	230V~/3,5 A	1567	51
AR3520A	0	2200/4800	80	45/64	230V~/5,2 A	2073	70

⚡ Electrical heat - AR3500 E (IP20)

Type	Output steps [kW]	Airflow* ¹ [m ³ /h]	Δt * ⁴ [°C]	Sound power* ² [dB(A)]	Sound pressure* ³ [dB(A)]	Voltage Amperage (control)	Voltage Amperage (heat)	Length [mm]	Weight [kg]
AR3510E09	4,5/9	1100/2300	25/12	77	42/62	230V~/2,45 A	400 V3~/13 A	1057	42
AR3515E14	7/13,5	1550/3400	27/13	78	43/63	230V~/3,5 A	400 V3~/19,5 A	1567	61
AR3520E18	9/18	2200/4800	25/11	79	45/64	230V~/5,2 A	400 V3~/26 A	2073	79

💧 Water heat - AR3500 W (IP20)

Type	Output* ⁵ [kW]	Airflow* ¹ [m ³ /h]	Δt * ^{4,5} [°C]	Water volume [l]	Sound power* ² [dB(A)]	Sound pressure* ³ [dB(A)]	Voltage [V]	Amperage [A]	Length [mm]	Weight [kg]
AR3510W	9,4	1100/2300	16/12	1,3	77	42/61	230V~	2,6	1057	42
AR3515W	14	1550/3400	16/12	2,1	78	42/62	230V~	3,6	1567	58
AR3520W	21	2200/4800	16/13	2,9	79	44/63	230V~	5,3	2073	76

💧 Water heat - AR3500 WLL, coil for very low temperature water (≤ 60 °C) (IP20)

Type	Output* ⁶ [kW]	Airflow* ¹ [m ³ /h]	Δt * ^{4,6} [°C]	Water volume [l]	Sound power* ² [dB(A)]	Sound pressure* ³ [dB(A)]	Voltage [V]	Amperage [A]	Length [mm]	Weight [kg]
AR3510WLL	9,2	1100/2300	14/12	1,3	76	42/61	230V~	2,6	1057	45
AR3515WLL	14	1550/3400	15/12	2,1	77	42/62	230V~	3,6	1567	61
AR3520WLL	20	2200/4800	15/12	2,9	78	44/63	230V~	5,3	2073	83

*¹) Lowest/highest airflow of totally 5 fan steps.

*²) Sound power (L_{WA}) measurements according to ISO 27327-2: 2014, Installation type E.

*³) Sound pressure (L_{pA}). Conditions: Distance to the unit 5 metres. Directional factor: 2. Equivalent absorption area: 200 m². At lowest/highest airflow.

*⁴) Δt = temperature rise of passing air at maximum heat output and lowest/highest airflow.

*⁵) Applicable at water temperature 60/40 °C, air temperature, in +18 °C.

*⁶) Applicable at water temperature 40/30 °C, air temperature, in +18 °C.

Approved by SEMKO.

Approved for 220V/1ph/60Hz and 380V/3ph/60Hz. Product performance for 220V/1ph/60Hz and 380V/3ph/60Hz will differ from stated data.

AR3500/4200

Recommended installation height 4,2 m

🌀 Ambient, no heat - AR4200 A (IP20)

Type	Output [kW]	Airflow* ¹ [m ³ /h]	Sound power* ² [dB(A)]	Sound pressure* ³ [dB(A)]	Voltage Amperage (control)	Length [mm]	Weight [kg]
AR4210A	0	1150/2800	76	40/60,5	230V~/4,1 A	1021	50
AR4215A	0	1650/3900	78	42/62	230V~/5,2 A	1530	70
AR4220A	0	2350/5600	79	44/63	230V~/8,1 A	2021	93
AR4225A	0	2850/6700	80	45/64	230V~/9,3 A	2579	118

⚡ Electrical heat - AR4200 E (IP20)

Type	Output steps [kW]	Airflow* ¹ [m ³ /h]	Δt* ⁴ [°C]	Sound power* ² [dB(A)]	Sound pressure* ³ [dB(A)]	Voltage Amperage (control)	Voltage Amperage (heat)	Length [mm]	Weight [kg]
AR4210E12	3,9/7,8/12	1150/2800	31/13	76	40/60,5	230V~/4,1 A	400 V3~/17 A	1021	58
AR4215E18	6,0/12/18	1650/3900	33/14	78	42/62	230V~/5,2 A	400 V3~/26 A	1530	81
AR4220E24	7,8/15/23	2350/5600	31/13	79	44/63	230V~/8,1 A	400 V3~/34 A	2021	107
AR4225E30	9,9/20/30	2850/6700	32/13	80	45/64	230V~/9,3 A	400 V3~/43 A	2579	137

💧 Water heat - AR4200 W (IP20)

Type	Output* ⁵ [kW]	Airflow* ¹ [m ³ /h]	Δt* ^{4,5} [°C]	Water volume [l]	Sound power* ² [dB(A)]	Sound pressure* ³ [dB(A)]	Voltage [V]	Amperage [A]	Length [mm]	Weight [kg]
AR4210W	17	1100/2700	24/18	1,9	76	40/60	230V~	4,0	1021	57
AR4215W	25	1600/3800	25/19	3,0	76	42/60,5	230V~	5,5	1530	78
AR4220W	35	2300/5500	25/19	4,0	78	43/62	230V~	8,0	2021	105
AR4225W	44	2700/6500	26/20	5,1	78	45/62,5	230V~	9,6	2579	134

💧 Water heat - AR4200 WLL, coil for very low temperature water (≤60 °C) (IP20)

Type	Output* ⁶ [kW]	Airflow* ¹ [m ³ /h]	Δt* ^{4,6} [°C]	Water volume [l]	Sound power* ² [dB(A)]	Sound pressure* ³ [dB(A)]	Voltage [V]	Amperage [A]	Length [mm]	Weight [kg]
AR4210WLL	10	1100/2500	15/12	3,1	76	40/60	230V~	3,8	1021	58
AR4215WLL	15	1600/3600	15/12	4,7	76	42/60,5	230V~	5,2	1530	80
AR4220WLL	21	2300/5200	15/12	7,5	78	43/62	230V~	7,6	2021	107
AR4225WLL	26	2700/6200	15/12	9,6	78	45/62,5	230V~	9,1	2579	137

*¹) Lowest/highest airflow of totally 5 fan steps.

*²) Sound power (L_{wa}) measurements according to ISO 27327-2: 2014, Installation type E.

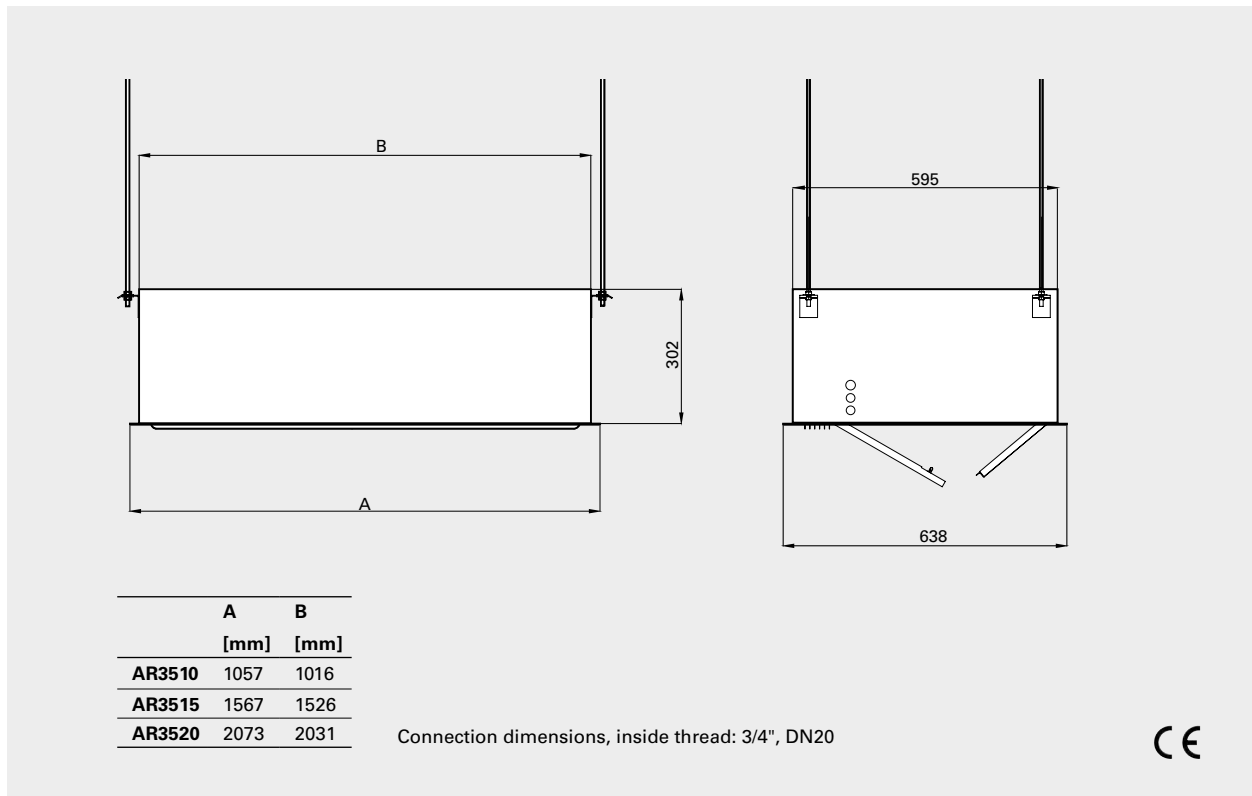
*³) Sound pressure (L_{pa}). Conditions: Distance to the unit 5 metres. Directional factor: 2. Equivalent absorption area: 200 m². At lowest/highest airflow.

*⁴) Δt = temperature rise of passing air at maximum heat output and lowest/highest airflow.

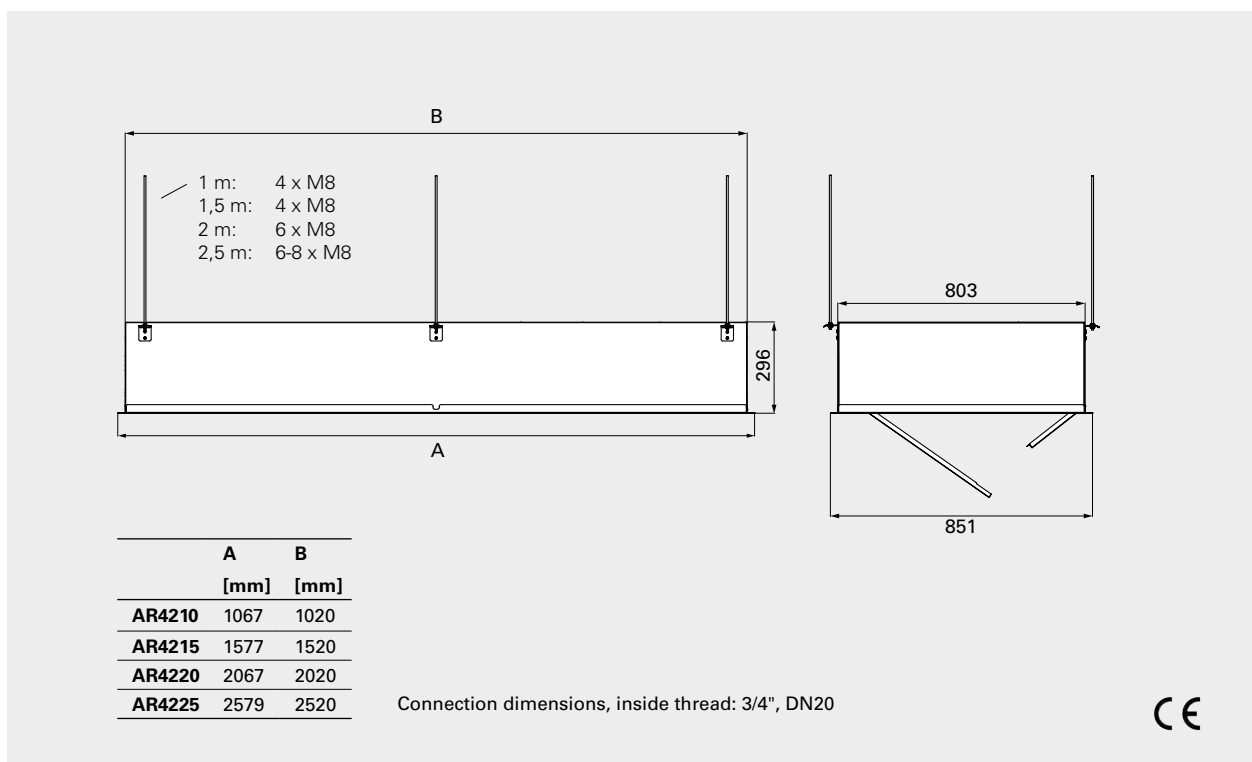
*⁵) Applicable at water temperature 60/40 °C, air temperature, in +18 °C.

*⁶) Applicable at water temperature 40/30 °C, air temperature, in +18 °C.

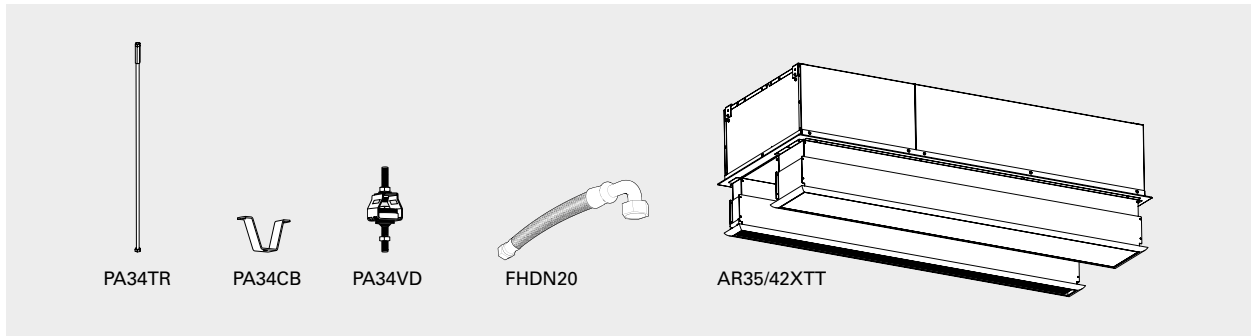
Dimensions AR3500



Dimensions AR4200



Accessories



PA34TR, threaded bars
Threaded bars for installing unit on to a ceiling. Length 1 m. Used together with ceiling brackets (PA34CB). Supplemented with vibration dampers (PA34VD) for reduced vibration.

PA34CB, ceiling brackets
Ceiling brackets for installing the unit from the ceiling using wires or threaded bars (not included). Best combined with vibration dampers (PA34VD) when using threaded bars.

PA34VD, vibration dampers
Reduces vibrations for ceiling installations with threaded bars.

FHDN20, flexible hoses
Flexible hoses for easy and practical installation of water heated unit. FHDN20: length 350 mm. FHDN2010: length 1 m. DN20.

AR35/42XTT, extension
Outlet/inlet extension for a discreet installation with only the outlet and inlet visible in the ceiling.

Type	Description	Quantity included	Length
PA34TR15	Threaded bars for AR3510/3515/3520, AR4210/4215	4	1 m
PA34TR20	Threaded bars for AR4220	6	1 m
PA34TR30	Threaded bars for AR4225	8	1 m
PA34CB15	Ceiling brackets for AR3510/3515/3520, AR4210/4215	4	
PA34CB20	Ceiling brackets for AR4220	6	
PA34CB30	Ceiling brackets for AR4225	8	
PA34VD15	Vibration dampers for AR3510/3515/3520, AR4210/4215	4	
PA34VD20	Vibration dampers for AR4220	6	
PA34VD30	Vibration dampers for AR4225	8	
FHDN20	Flexible hoses DN20, inside thread, 90° bend	2	350 mm
FHDN2010	Flexible hoses DN20, inside thread, 90° bend	2	1 m
AR35XTT10	Outlet/inlet extension AR3510		130-210 mm
AR35XTT15	Outlet/inlet extension AR3515		130-210 mm
AR35XTT20	Outlet/inlet extension AR3520		130-210 mm
AR42XTT10	Outlet/inlet extension AR4210		130-210 mm
AR42XTT15	Outlet/inlet extension AR4215		130-210 mm
AR42XTT20	Outlet/inlet extension AR4220		130-210 mm
AR42XTT25	Outlet/inlet extension AR4225		130-210 mm

For mounting, connection, wiring diagrams and other technical information, please see the manual.