



## Elztrip EZ300

Triple panel radiant heater for warehouses, workshops etc.

EZ300 is intended for total and supplementary heating in industrial environments such as warehouses, workshops etc.

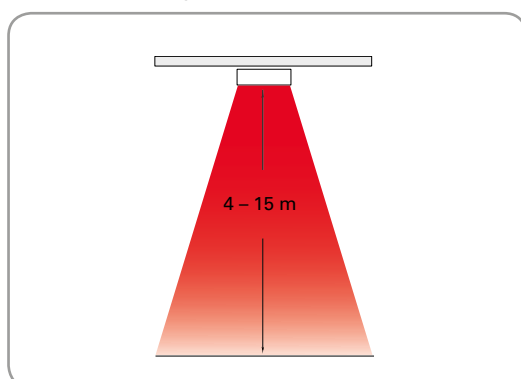
EZ300 is a triple panel radiant heater with discreet and robust design that blends well with electrical fittings.

- Integrated elements and a surface structure for improved efficiency.
- The heaters are approved for serial connection.
- To comply with Ecodesign Regulation (EU) 2015/1188 the unit must be installed either with thermostat TAP16R or with output control RB123 and presence detector PDK65 (accessories).
- Standard mountings for installation included.
- Casing of grey alu-zinc coated steel panels, very resistant against corrosion. Heating panel of naturally anodised aluminium.

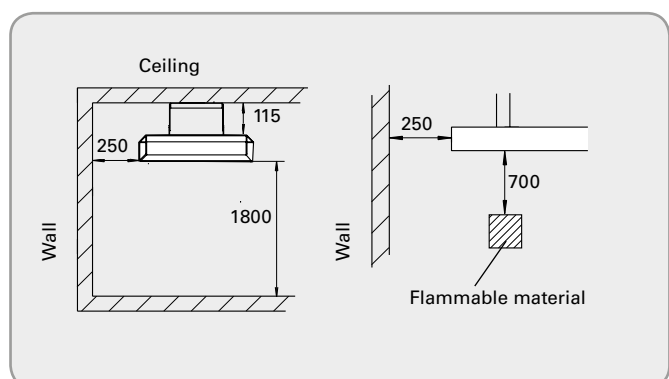
### Elztrip EZ300 (IP44)

Type	Heat output [W]	Voltage [V]	Amperage [A]	Max. element temperature [°C]	Dimensions LxHxW [mm]	Weight [kg]
EZ336	3600	230V3~/400V3N~	9,0/5,2	320	1670x63x420	19,8
EZ345	4500	230V3~/400V3N~	11,3/6,5	320	2030x63x420	24,2

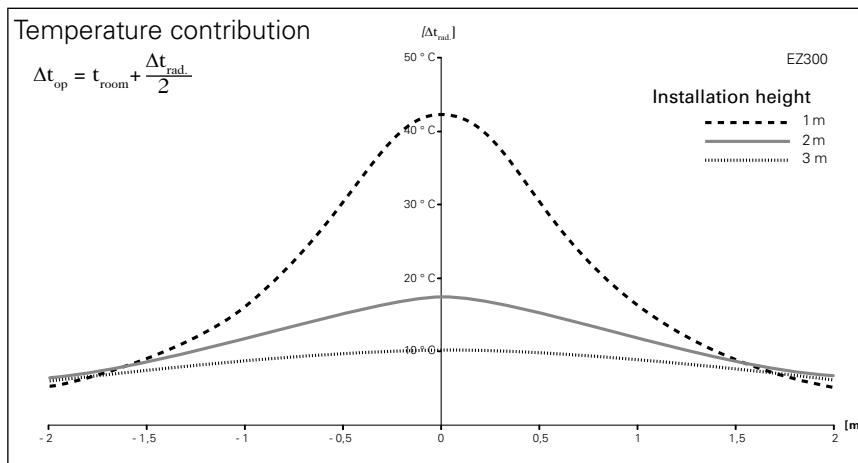
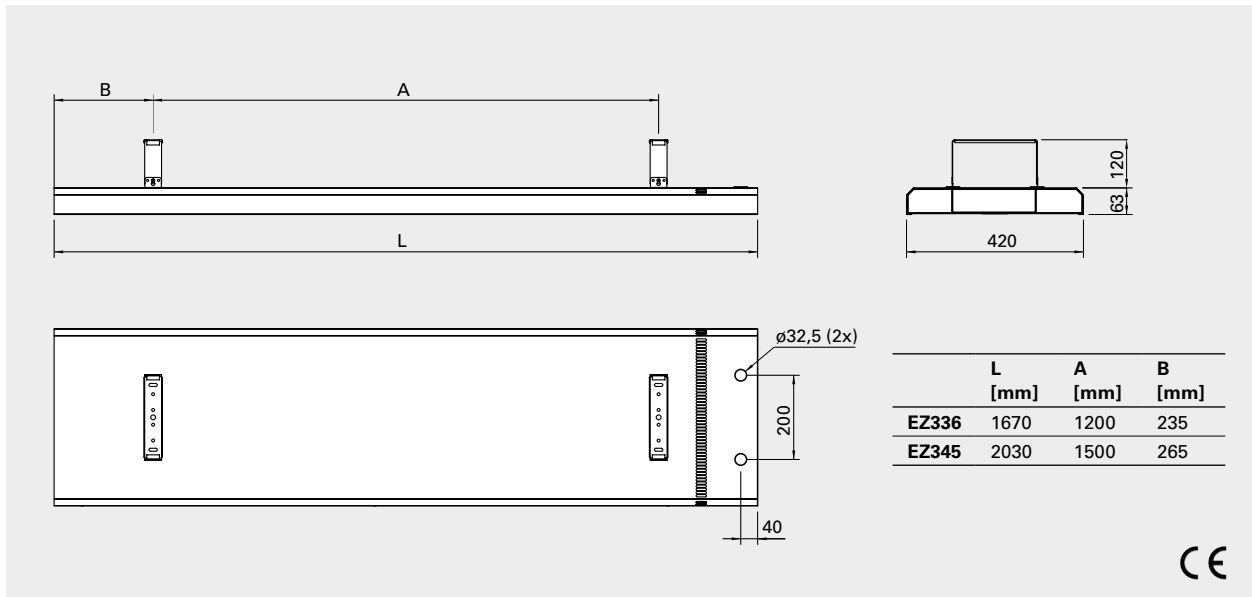
#### Installation height



#### Minimum distances



Dimensions



EZ300 gives instant heat and no preheating is necessary which makes it ideal for buildings that are used on an irregular basis.



Radiant heaters are especially profitable in buildings with high ceilings as no heat losses occur between the heater and the floor.

# Elztrip EZ300

## Positioning, mounting and connection

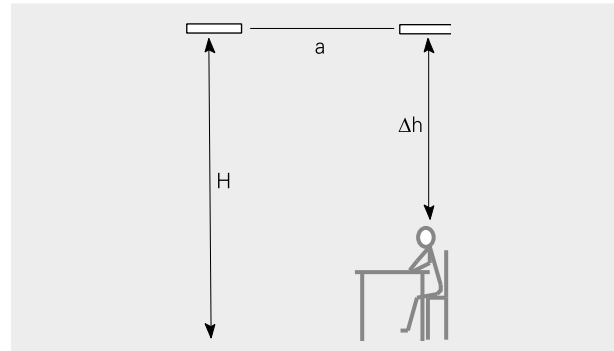
### Positioning

To estimate approximately how many radiant heaters are needed to cover an area the formula is:

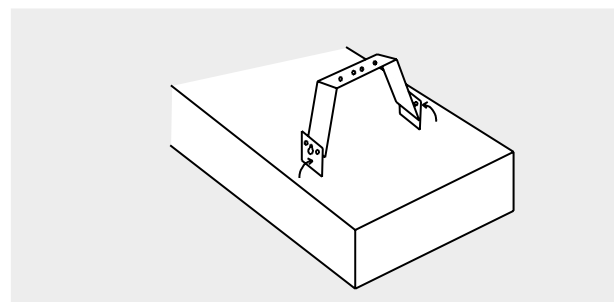
$$\text{Min. number of heaters} = \frac{\text{Area of the premises [m}^2\text{]}}{\text{Installation height [m]} \times \text{Installation height [m]}}$$

This formula is a basic estimation of the minimum number of radiant heaters needed to maintain the comfort. To calculate the right output for each heater, the total heating requirement must be calculated, see the Technical handbook.

When planning an Elztrip installation, the distance between the heaters should not be greater than the height between heater and floor, that means (a) should be less than (H). See Fig. In rooms not often used, the comfort demands are usually lower and the distance between the heaters can be increased. In rooms frequently used, the distance between a sedentary person and heater should be at least between 1.5 to 2 metres ( $\Delta h$ ). When these two guide lines are followed, the difference in operative temperature will not exceed the comfort level  $\Delta t_{op} = 5 \text{ }^\circ\text{C}$ . This means that the difference between the real temperature and the temperature that we sense, will not be more than  $5 \text{ }^\circ\text{C}$ .



Recommended distances for Elztrip



Standard fitting

### Mounting

Elztrip is installed horizontally on ceilings, in armature rails, on cables, suspended, etc. Standard mountings for installation included. If the heater is suspended by wires, use the four mounting points on the heater. Standard fittings for mounting are included. When mounting on wire, suitable clips that prevent the panel from sliding should be acquired.

### Connection

Elztrip is intended for permanent installation. The heaters are approved for serial connection.



With radiant heaters, the heat is transferred to surfaces such as people, floors and fixtures. This creates comfort even in rooms with large volume.



The heat is directed to the area where it is needed the most.

## Control options

The heater must be supplemented with one of the following control options. TAP16R has adaptive start, week program and open window detection. When using TAP16R, protection class IP44 is obtained by adding a protective enclosure TEP44 and an external temperature sensor RTX54 which replaces the internal sensor. Please note that a relaybox RB is also required.

### Control by thermostat

- TAP16R, electronic thermostat
- RB3, relaybox 400V3N~/230V3~

### Control by thermostat and black bulb sensor

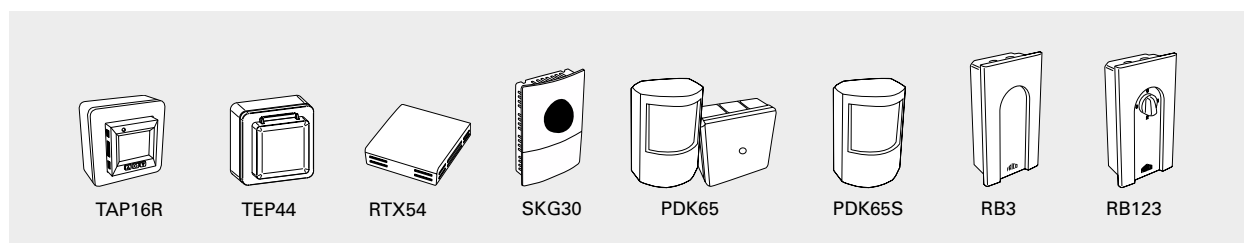
- TAP16R, electronic thermostat
- SKG30, black bulb sensor
- RB3, relaybox 400V3N~/230V3~

### Control by 3 step output control and presence detector

- RB123, relaybox with 3 step output control
- PDK65, presence detector with power supply

The product can be controlled in a different way, e.g. by an overall control system (BMS) as long as the requirements of Ecodesign Regulation are met.

## Controls and accessories



Type	Description	HxWxD [mm]
<b>TAP16R</b>	Electronic thermostat, 16A, IP21	87x87x53
<b>TEP44</b>	Protective enclosure for TAP16R, IP44. Must be supplemented with RTX54.	87x87x55
<b>RTX54</b>	External room temperature sensor. Replaces internal sensor. NTC10KΩ, IP54	82x88x25
<b>SKG30</b>	Black bulb sensor, NTC10KΩ, IP30	115x85x40
<b>PDK65</b>	Presence detector with power supply (up to 5 detectors), 230V~, max 2,3 kW, IP42/IP65	102x70x50 88x88x39
<b>PDK65S</b>	Additional presence detector to PDK65, IP42	102x70x50
<b>RB3</b>	Relaybox 400V3N~ (400V3~/V2~, 230V3~/V2~), 16A, IP44	155x87x43
<b>RB123</b>	Relaybox with 3 step output control, 400V3N~, 16A, IP44	155x87x43

## Controls for installations not covered by the Ecodesign Regulation (EU) 2015/1188

When the heater is used for technical heating purposes, and not as a local space heater, the following controls can be used.

Type	Description	HxWxD [mm]
<b>KRT1900</b>	Capillary tube thermostat, IP55	165x57x60
<b>KRTV19</b>	Capillary tube thermostat with knob, IP44	165x57x60
<b>S123</b>	Manual switch for 1-2-3 steps, 20A, IP42	72x64x46

