



## Halogen infrared heater for spot heating of large premises

IRCFC is especially designed for spot heating of premises with large air volumes, such as churches, aircraft hangars and warehouses. With its high efficiency and compact size it is perfect for many difficult applications. Radiant heaters can give cost savings of up to 25% compared to convector heaters, especially in buildings with high ceilings that are used on an irregular basis.

### Pleasant and silent comfort

Radiant heaters give an efficient and pleasant heat in the dwelling zone and individual comfort can be created with spot and zone heating. No moving parts mean a silent system that does not cause air movements, creating a hygienic indoor climate and reducing the spread of dust, bacteria, or odours.

### Easy and flexible

IRCFC has an easy and flexible installation and requires a minimum of maintenance. It gives instant heat and no preheating is necessary. The angle of the heater can be adjusted for optimum comfort.

### Wide range

IRCFC has a discreet and compact design. It is equipped with one to three halogen lamps and with glossy finished reflectors. The range includes models with a variety of sizes, colors, outputs, and protection classes.



### Product specifications

- IRCFC is available in three versions:
  - **IRCFC white:** RAL9015 glossy, fitted with one to three lamps. IP20.
  - **IRCFC grey:** RAL9006 matt, fitted with one to three lamps. IP20.
  - **IRCFC black:** RAL9005 matt, fitted with one or two lamps. IP54.
- A protective grille is included and pre-fitted on each unit.
- To comply with Ecodesign Regulation (EU) 2015/1188 the unit must be installed with appropriate controls, see Control options.

Halogen infrared heater IRCFC White (IP20)

Item number	Type	Heat output [W]	Voltage [V]	Amperage [A]	Lamps	Weight [kg]
990836	<b>IRCFC15W20</b>	1500	230V~	6,6	1	1,5
990837	<b>IRCFC30W20</b>	3000 (2x1500)	230V~	13,1	2	3,0
990838	<b>IRCFC45W20</b>	4500 (3x1500)	230V~/400V3N~	19,6/6,5	3	4,0

Halogen infrared heater IRCFC Grey (IP20)

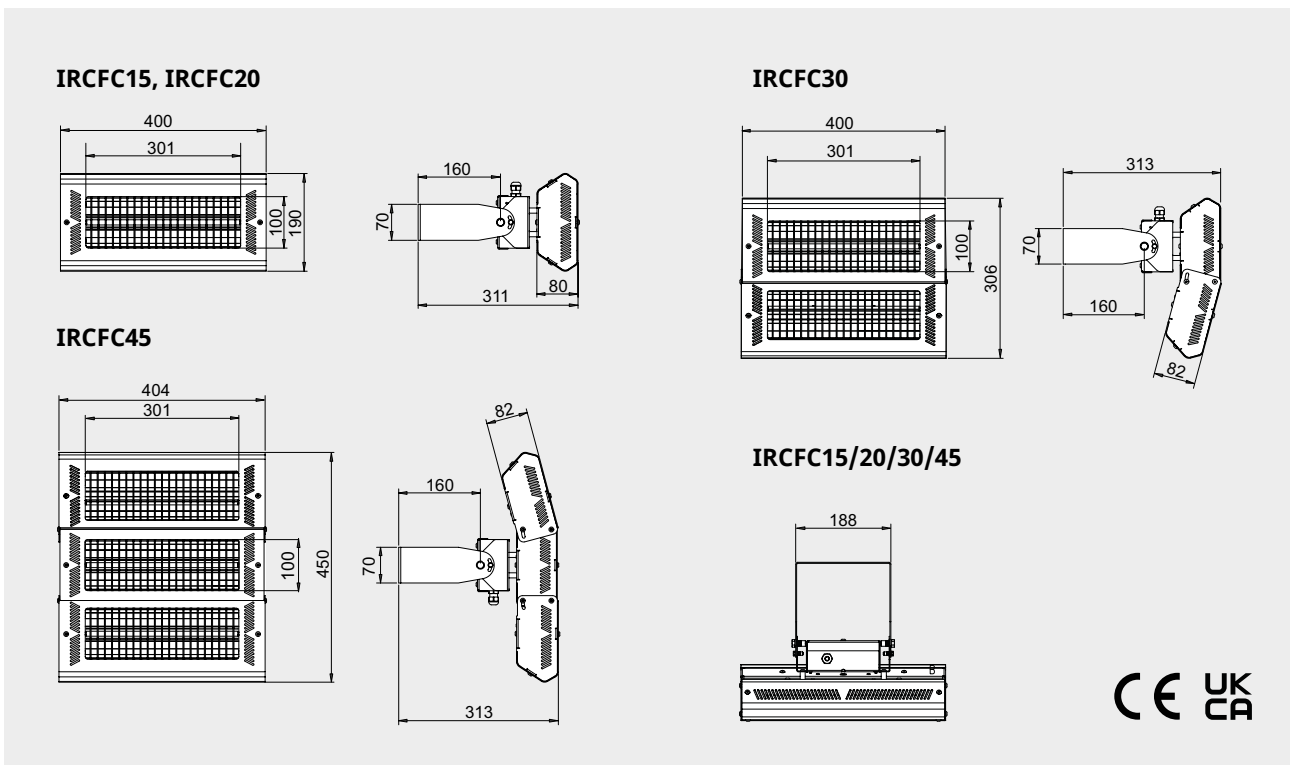
Item number	Type	Heat output [W]	Voltage [V]	Amperage [A]	Lamps	Weight [kg]
990839	<b>IRCFC15G20</b>	1500	230V~	6,6	1	1,5
990840	<b>IRCFC30G20</b>	3000 (2x1500)	230V~	13,1	2	3,0
990841	<b>IRCFC45G20</b>	4500 (3x1500)	230V~/400V3N~	19,6/6,5	3	4,0

Halogen infrared heater IRCFC Black (IP54)

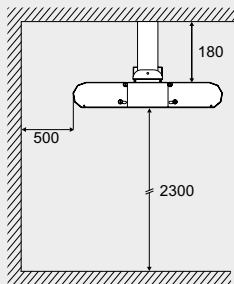
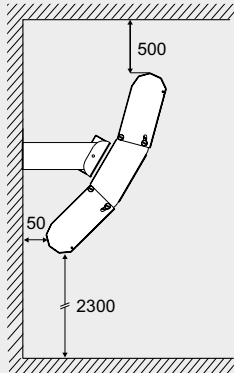
Item number	Type	Heat output [W]	Voltage [V]	Amperage [A]	Lamps	Weight [kg]
990842	<b>IRCFC15B54</b>	1500	230V~	6,6	1	1,5
990843	<b>IRCFC20B54</b>	2000	230V~	8,7	1	1,5
990844	<b>IRCFC30B54</b>	3000 (2x1500)	230V~	13,1	2	3,0

Corrosion proof casing of aluminum.

Dimensions



**Minimum distances**



**Positioning**

The heaters must be placed so that they cover the area to be heated. Optimum comfort is achieved if the heat is distributed from at least two directions.

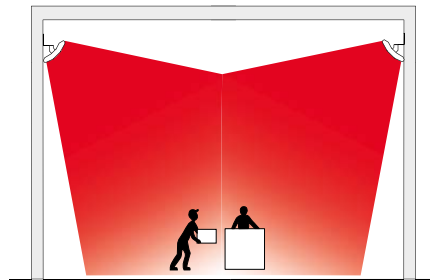
**Mounting**

IRCFC is installed horizontally on the ceiling or on the wall with the supplied bracket. The IRCFC can also be suspended from the ceiling, e.g. from chains. The angle of the heater can be adjusted for optimum comfort.

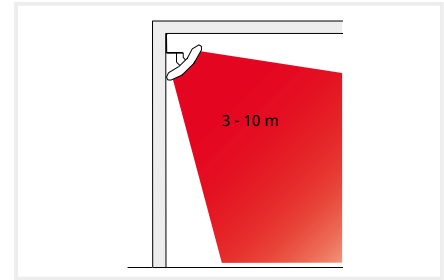
**Connection**

IRCFC is intended for permanent installation.

**Positioning**

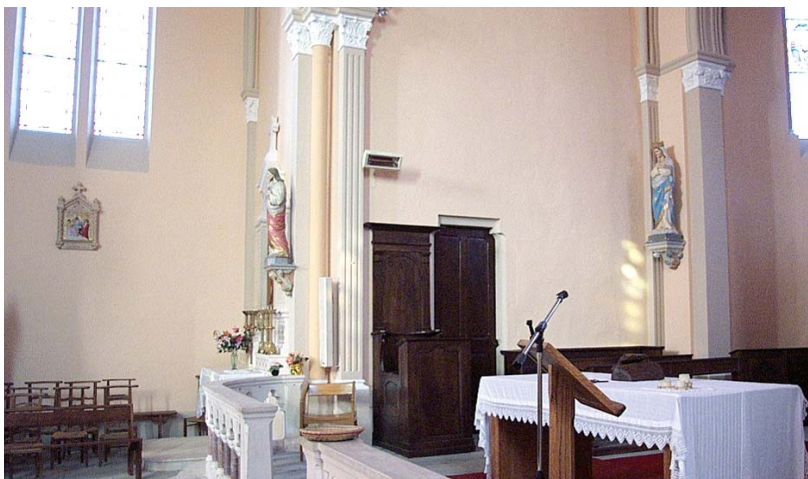


**Installation height**



**Accessories**

Item number	Type	Description
11919	<b>KLRS1500</b>	Spare lamp 1500 W, IRCFC IP20
303357	<b>KLRSE15</b>	Spare lamp 1500 W, IRCFC IP54
303386	<b>KLRSE20</b>	Spare lamp 2000 W, IRCFC IP54



The smallest model of IRCFC is excellent for difficult applications like churches.



IRCFC is often installed in large warehouses. They give instant and effective heat which make them profitable quickly.



TAP16R



RB3



SKG30



PDK65



RB123



TEP44



RTX54



PDK65S

The heater must be supplemented with one of the following control options. TAP16R has adaptive start, week program and open window detection.

### Control by thermostat

- TAP16R, electronic thermostat
- RB3, relaybox (only for IRCFC30/45)

### Control by thermostat and black bulb sensor

- TAP16R, electronic thermostat
- SKG30, black bulb sensor
- RB3, relaybox (only for IRCFC30/45)

### Control by thermostat and presence detector

- TAP16R, electronic thermostat
- PDK65, presence detector with power supply
- RB3, relaybox (only for IRCFC30/45)

### Control by 3 step output control and presence detector (only for IRCFC45)

- RB123, relaybox with 3 step output control
- PDK65, presence detector with power supply

The product can be controlled in a different way, e.g. by an overall control system (BMS) as long as the requirements of Ecodesign Regulation are met.

Item number	Type	Description	HxWxD [mm]
92790	<b>TAP16R</b>	Electronic thermostat, 16A, IP21	87x87x53
205540	<b>TEP44</b>	Protective enclosure for TAP16R, IP44	87x87x55
93012	<b>RTX54</b>	External room temperature sensor. Replaces internal sensor. NTC10KΩ, IP54	82x88x25
205688	<b>RB3</b>	Relaybox 400V3N~ (400V3~/V2~, 230V3~/V2~), 16A, IP44	155x87x43
93044	<b>RB123</b>	Relaybox with 3 step output control, 400V3N~, 16A, IP44	155x87x43
205550	<b>SKG30</b>	Black bulb sensor, NTC10KΩ, IP30	115x85x40
211780	<b>PDK65</b>	Presence detector with power supply (up to 5 detectors), 230V~, max 2,3 kW, IP42/IP65	102x70x50 88x88x39
211781	<b>PDK65S</b>	Additional presence detector to PDK65, IP42	102x70x50



KRT1900



KRTV19



S123

### Controls for installations not covered by the Ecodesign Regulation (EU) 2015/1188

When the heater is used for technical heating purposes, and not as a local space heater, the following controls can be used.

Item number	Type	Description	HxWxD [mm]
5999	<b>KRT1900</b>	Capillary tube thermostat, IP55	165x57x60
10214	<b>KRTV19</b>	Capillary tube thermostat with knob, IP44	165x57x60
11733	<b>S123</b>	Manual switch for 1-2-3 steps, 20A, IP42	72x64x46