



Carbon infrared heater IHC

For soft and effective heat

Carbon infrared heater IHC produces a gentle and direct heat which together with the soft glow, is ideal for outdoor restaurants where design is important. IHC has a heat distribution best suited for close and slightly higher installations.

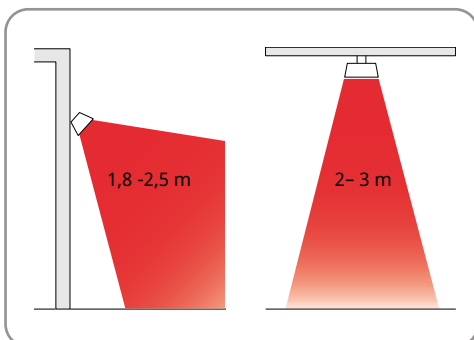
IHC is easy to position thanks to its compact design. The discreet and appealing look makes it suitable for outdoor environments with design demands.

- IHC consists of a carbon lamp, yellow-orange glow, with high intensity and a highly-polished reflector for optimum heat distribution.
- Bracket for wall mounting. Can also be suspended from the ceiling or mounted on a post. Other mounting alternatives are available as accessories.
- Equipped with a 0.9 metre cord with plug for connection to an earthed outlet socket.
- Casing in anodised aluminium, grille in Nickel/Chrome plating, end caps in powder-coated light-alloy metal. Colour: RAL 9006.

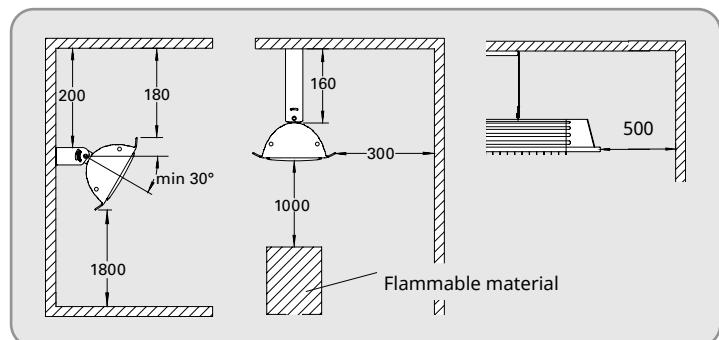
Carbon infrared heater IHC (IP44)

Type	Heat output [W]	Voltage [V]	Amperage [A]	Max. filament temperature [°C]	Dimensions WxHxD [mm]	Weight [kg]
IHC12	1150	230V~	5,0	1200	500x77x169	1,9
IHC18	1750	230V~	7,6	1200	676x77x169	2,5

Installation height



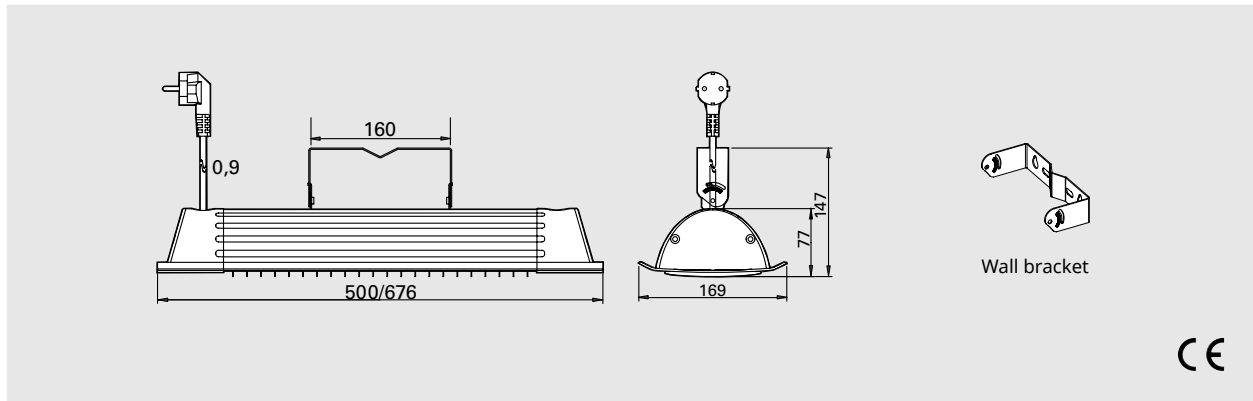
Minimum distances



Design and specifications are subject to change without notice.

Carbon infrared heater IHC

Dimensions



Positioning, mounting and connection

Positioning

The heaters must be placed so that they cover the area to be heated, see fig. 1. The normal mounting height is 2–3 metres above the ground/floor. A rule of thumb for infrared heaters is that 600–800 W/m² increases the experienced temperature by about 10 °C. The output demand can be reduced if the area to be heated is protected. If the area only has a roof, at least 800 W/m² should be installed. 600 W/m² is sufficient if the area has three walls. For enclosed areas, the output demand must be calculated. Optimum comfort is achieved if the heat is distributed from at least two directions.

Mounting

IHC is installed horizontally on walls with supplied bracket. The heater can be angled up to 45°. The heater can also be mounted on e.g. a parasol or a post, a suitable U-bolt (not included) is used for this together with the supplied console. For ceiling installation use ceiling bracket IHE (accessory). For other mounting alternatives, see accessories.

Connection

IHC is equipped with a 0.9 metre cord with plug for connection to an earthed outlet socket.

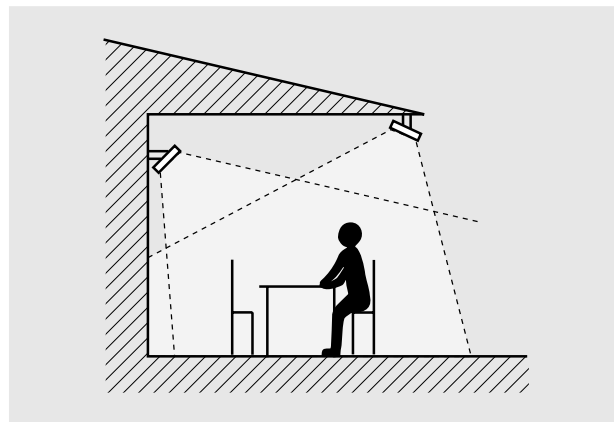


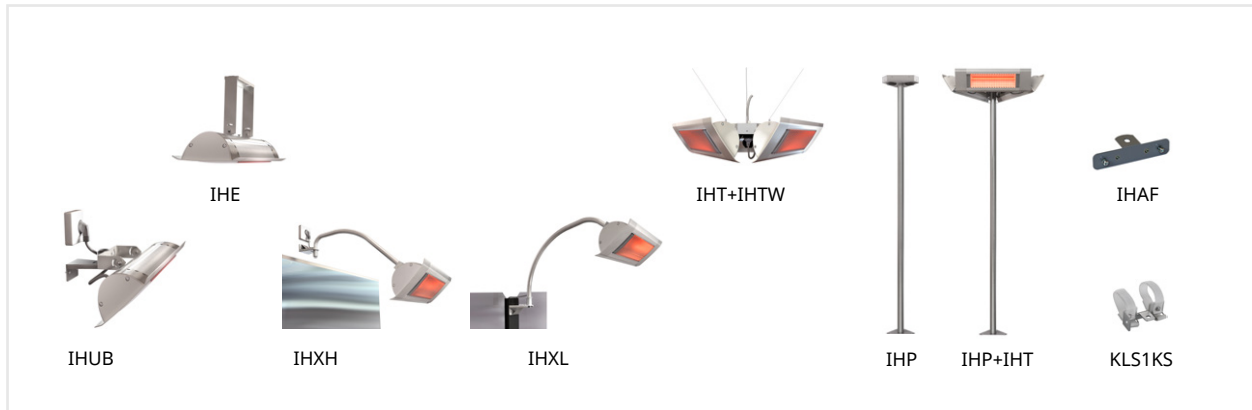
Fig. 1: The heaters should heat from at least two directions for even heating.



The intensive carbon infrared heater and a highly-polished reflector gives optimum heat distribution combined with a soft glow.

Carbon infrared heater IHC

Accessories



IHUB, universal bracket

A bracket that makes it easy to even angle IH/IHC sideways. The bracket also allows mounting on, for example, a windbreak when the clamping screw is used.

IHE, ceiling bracket

Used to secure the IH/IHC in the ceiling.

IHXH, drooping extension bracket for high level mounting

Used to install the heater at high level, such as above a window. Wall bracket included.

IHXL, arching extension bracket for low level mounting

Used to install the heater at low level, such as on a windbreak. Wall bracket included.

IHT, triple bracket

Three IH/IHC units can be mounted on the IHT bracket to provide heat in all directions. Can be suspended from the ceiling by three wires or mounted on an IHP post. Used for IH10, IH15 and IHC12.

IHTW, wire kit

Set of three bright galvanized wires for easy hanging of IHT.

IHP, post for freestanding installation

Post to stand IH/IHC on the floor. IHP has a fixed length of 2.3 m and can be cut to desired length. The IHT triple bracket can be attached to provide heat in all directions. IH/IHC can also be mounted directly on the post using a standard bracket and a U-bolt.

KLS1KS, bracket with velcro

Bracket with velcro for quick and flexible mounting under a parasol or an awning.

IHAF, adapter mounting

Adapter mounting to fix IH/IHC on bracket KLS1KS.

Type	Description
IHUB	Universal bracket for IH
IHE	Ceiling bracket
IHXH	Extension bracket for high level mounting
IHXL	Extension bracket for low level mounting
IHT	Triple bracket
IHTW	Wire kit (3 wires) for IHT
IHP	Post for freestanding installation, 2,3 m
KLS1KS	Bracket with velcro
IHAF	Adapter mounting for KLS1KS



With an extension bracket, the heater can be positioned lower than its mounting point.

Carbon infrared heater IHC

Control options

Timer control

The timer can be set to a desired time. If the current load exceeds the timer's setting range or if you want to control a larger system, a contactor can be used.

- CBT, electronic timer

Comfort control

The comfort controller allows you to wirelessly control one or more infrared heaters via an app (iOS or Android) or by using the remote control supplied. The IHBD3 offers stepless control via the Frico Infra app, or 5 step regulation when using the remote control.

- IHBD3, comfort controller



Type	Description
IHBD3	Comfort controller for infrared heater, remote control with dimmer, 3000W, 230V~, IP65
CBT	Electronic timer, IP44



IHC is ideal for environments where design is important and has a heat distribution best suited for close and slightly higher installations.