



## Infraglas

Halogen infrared heater with tinted ceramic glass front

With its tinted glass front, Infraglas is ideal for elegant outdoor applications. Infraglas can be recessed into the ceiling by using a flush mounting frame, available as an accessory.

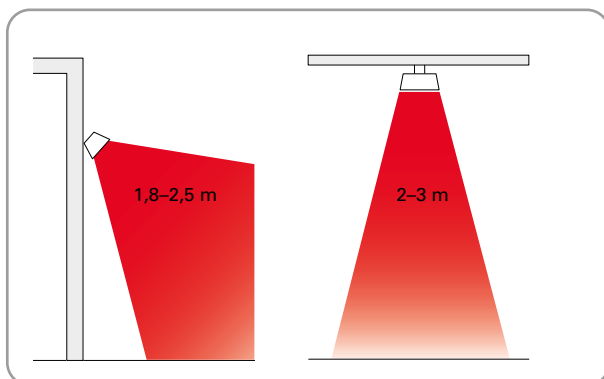
Infraglas is available with three power options and white or black front of high resistant ceramic glass. The heater can be regulated by the remote control provided, with or without dimmer, depending on unit.

- Front in ceramic glass SCHOTT NEXTREMA®, available in white or black.
- Halogen lamp with polished aluminium reflector.
- The 1,5 kW and 2,2 kW units have an integrated switch and are supplied with remote control including 3 step dimmer. The 1,2 kW unit is supplied with on/off remote control.
- Wall and ceiling mounting brackets are included.
- The 1,2 kW and 1,5 kW models can be recess mounted in ceilings. Ceiling frames are available as accessories.
- High protection class, IP65.
- Equipped with a 1.8 metre cord with plug for connection to an earthed outlet socket.
- Casing in powder-coated aluminium. Colour front: white or black. Colour housing: light grey RAL9006.

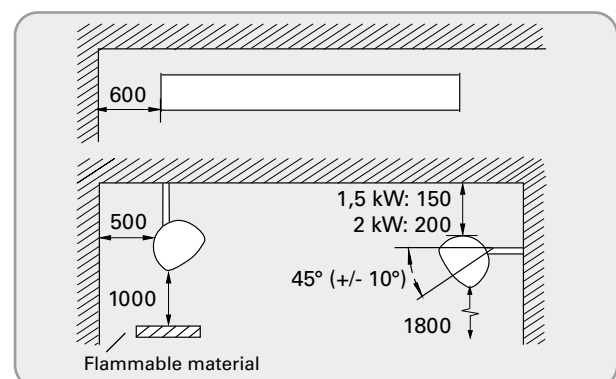
Infraglas (IP65)

Type	Heat output [W]	Voltage [V]	Colour	Max. filament temperature [°C]	Dimensions LxHxW [mm]	Weight [kg]
IHW12SR	1200	230V~	White	1800	585x80x170	3,6
IHGB12SR	1200	230V~	Black	1800	585x80x170	3,6
IHW15SR	1500	230V~	White	1800	900x80x170	5,1
IHGB15SR	1500	230V~	Black	1800	900x80x170	5,1
IHW22SR	2200	230V~	White	1800	900x80x170	5,1
IHGB22SR	2200	230V~	Black	1800	900x80x170	5,1

Installation height

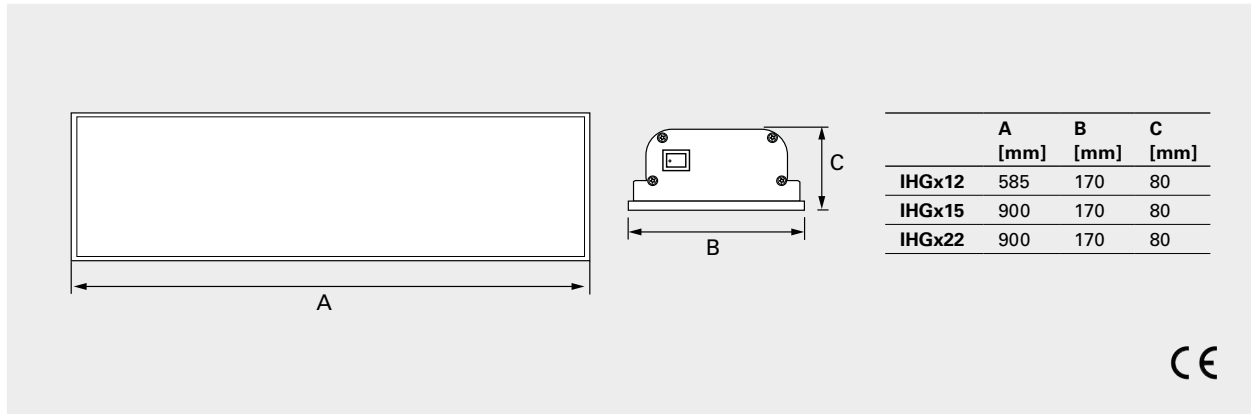


Minimum distances



Design and specifications are subject to change without notice.

## Dimensions



## Positioning, mounting and connection

### Positioning

The heaters must be placed so that they cover the area to be heated, see fig. 1. The normal mounting height is 2–3 metres above the ground/floor. A rule of thumb for infrared heaters is that 600–800 W/m<sup>2</sup> increases the experienced temperature by about 10 °C. The output demand can be reduced if the area to be heated is protected. If the area only has a roof, at least 800 W/m<sup>2</sup> should be installed. 600 W/m<sup>2</sup> is sufficient if the area has three walls. For enclosed areas, the output demand must be calculated. Optimum comfort is achieved if the heat is distributed from at least two directions.

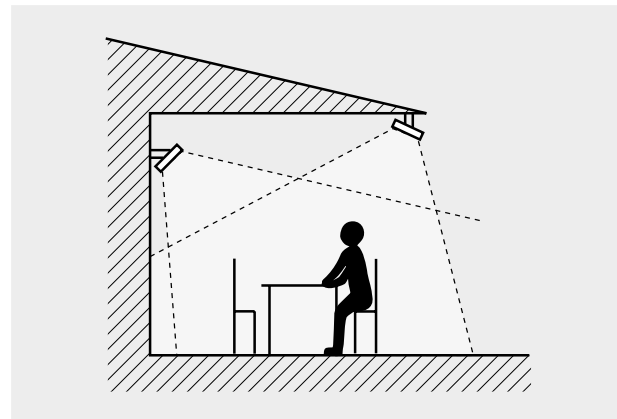


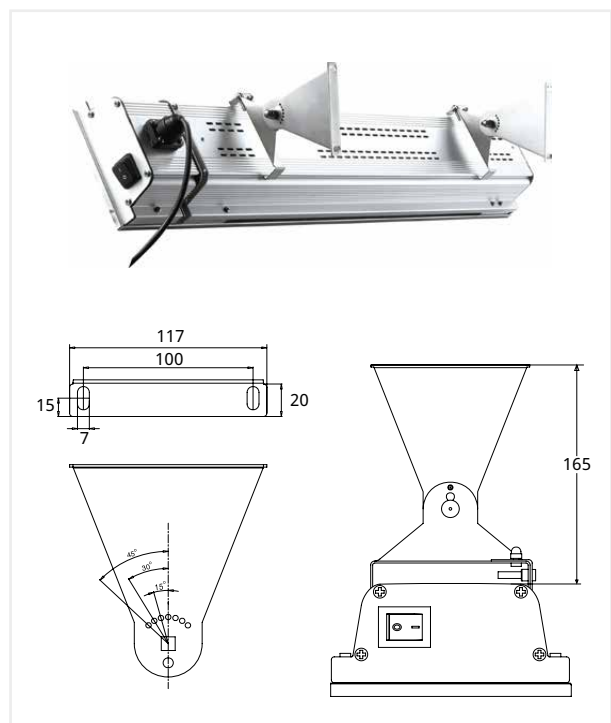
Fig. 1: The heaters should heat from at least two directions for even heating.

### Mounting

Infraglas can be installed horizontally on walls or in ceilings with the brackets supplied. The 1,2 kW and 1,5 kW models can be recess mounted in ceilings. Ceiling frames are available as accessories.

### Connection

Infraglas is equipped with a 1.8 metre cord with plug for connection to an earthed outlet socket.



Frame for flush mounting is available as an accessory for Infraglas 1,2 kW and 1,5 kW.

Mounting brackets are included.

# Infraglas

## Control

Infraglas is supplied with on/off remote control with 3 step dimmer and timer for 1, 2 or 3 hours (1,2 kW model has on/off and 1 hour timer only). Infraglas 1,5 kW and 2,2 kW have a switch on the side of the unit.

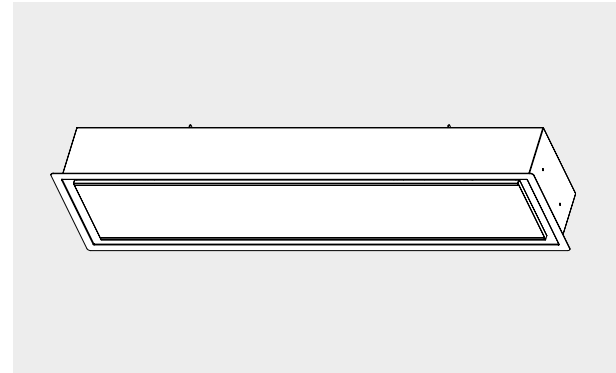


## Accessories

### CCIHG, frame

Frame for recess mounting of Infraglas 1,2 kW and 1,5 kW in suspended ceilings. Colour: silver.

Type	Description
CCIHGS12	Frame for recess mounting of Infraglas 1,2 kW, silver
CCIHGS15	Frame for recess mounting of Infraglas 1,5 kW, silver



## Dimensions

