



Infragold

Halogen infrared heater for long-lasting, comfort heating

Infragold is a compact, user friendly halogen infrared heater for outdoor use. It is equipped with a gold infrared tube and cord with plug for easy installation.

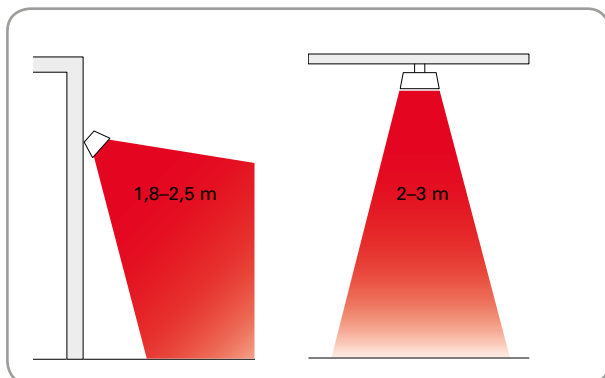
Infragold is available in white, black and grey with a discreet design suitable for most environments.

- Halogen lamp with gold infrared tube and polished aluminium reflector.
- Wall bracket included. Other mounting alternatives are available as accessories, e.g. ceiling bracket and floor stand.
- Equipped with a 1.9 metre cord with plug for connection to an earthed outlet socket.
- Casing in powder-coated aluminium. Colours: white RAL9010, black RAL9005 or grey RAL7016.

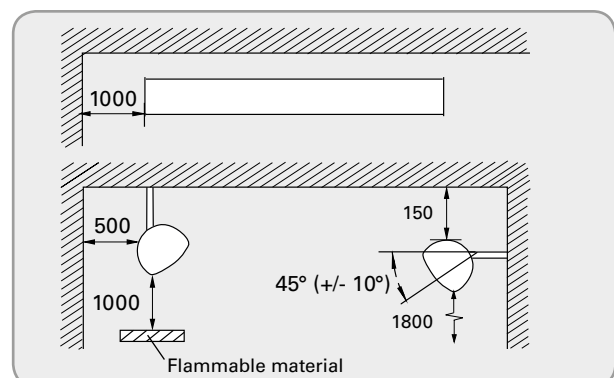
Infragold (IP44)

Type	Heat output [W]	Voltage [V]	Colour	Max. filament temperature [°C]	Dimensions LxHxW [mm]	Weight [kg]
IHG10W	1000	230V~	White	1800	464x125x104	2,1
IHG10B	1000	230V~	Black	1800	464x125x104	2,1
IHG10G	1000	230V~	Grey	1800	464x125x104	2,1

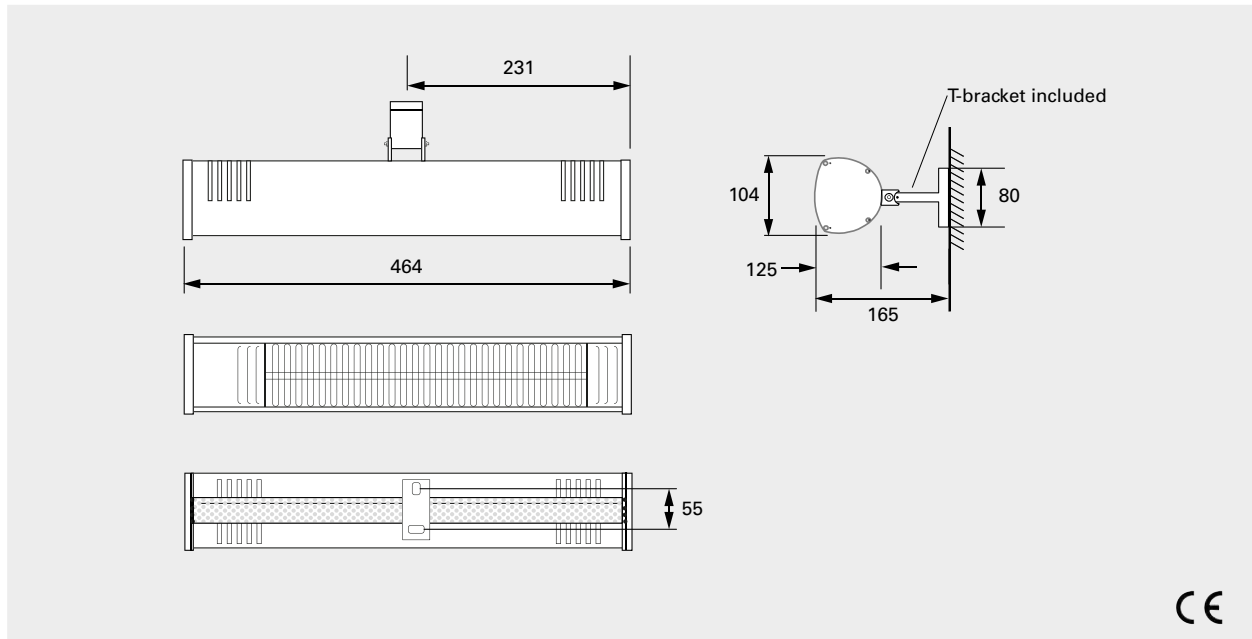
Installation height



Minimum distances



Dimensions



Positioning, mounting and connection

Positioning

The heaters must be placed so that they cover the area to be heated, see fig. 1. The normal mounting height is 2–3 metres above the ground/floor. A rule of thumb for infrared heaters is that 600–800 W/m² increases the experienced temperature by about 10 °C. The output demand can be reduced if the area to be heated is protected. If the area only has a roof, at least 800 W/m² should be installed. 600 W/m² is sufficient if the area has three walls. For enclosed areas, the output demand must be calculated. Optimum comfort is achieved if the heat is distributed from at least two directions.

Mounting

IHG is installed horizontally on walls with supplied bracket. The heater can be angled up to 45°. For other mounting alternatives, e.g. in the ceiling, on a floor stand, under a parasol or awning, see accessories.

Connection

IHG is equipped with a 1.9 metre cord with plug for connection to an earthed outlet socket.

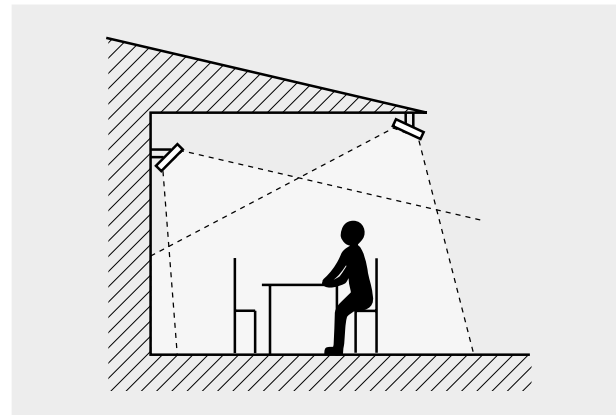


Fig. 1: The heaters should heat from at least two directions for even heating.



Infragold

Control options

Timer control

The timer can be set to a desired time. If the current load exceeds the timer's setting range or if you want to control a larger system, a contactor can be used.

- CBT, electronic timer



Comfort control

The comfort controller allows you to wirelessly control one or more infrared heaters via an app (iOS or Android) or by using the remote control supplied. The IHBD3 offers stepless control via the Frico Infra app, or 5 step regulation when using the remote control.

- IHBD3, comfort controller

Type	Description
IHBD3	Comfort controller for infrared heater, remote control with dimmer, 3000W, 230V~, IP65
CBT	Electronic timer, IP44

For further information and options, see the "Controls" section.

Accessories



KLS1KS, bracket with velcro
Bracket with velcro for quick and flexible mounting under a parasol or an awning. Use with BCSF for infrared heater with T bracket.

BHSS-3, floor stand
Floor stand for portable use. Height up to 2.1 m. Use with BCSF for infrared heater with T bracket.

BCSF, adapter mounting
Adapter mounting to fix infrared heaters with T bracket on accessories, such as BHSS-3 and KLS1KS.

BCDF, ceiling bracket
Used to secure the infrared heater in the ceiling.

IHXH, drooping extension bracket for high level mounting
Used to install the heater at high level, such as above a window. Wall bracket included.

IHXL, arching extension bracket for low level mounting
Used to install the heater at low level, such as on a windbreak. Wall bracket included.

MB4040200, awning bracket
Used to install infrared heaters with T bracket under an awning.

Type	Description
KLS1KS	Bracket with velcro
BHSS-3	Floor stand, up to 2.1 m
BCSF9010	Adapter mounting for KLS1KS and BHSS-3 for infrared heater with T bracket, white
BCSF9005	Adapter mounting for KLS1KS and BHSS-3 for infrared heater with T bracket, black
BCSF7016	Adapter mounting for KLS1KS and BHSS-3 for infrared heater with T bracket, grey
BCDF209010	Ceiling bracket, 200 mm, white
BCDF209005	Ceiling bracket, 200 mm, black
BCDF207016	Ceiling bracket, 200 mm, grey
IHXH	Extension bracket for high level mounting
IHXL	Extension bracket for low level mounting
MB40402009010	Awning bracket for infrared heater with T bracket, 200 mm, white
MB40402009005	Awning bracket for infrared heater with T bracket, 200 mm, black
MB40402007016	Awning bracket for infrared heater with T bracket, 200 mm, grey