



Infralu

High resistant halogen infrared heater in aluminum

Infralu is a compact, user friendly halogen infrared heater in polished aluminum for outdoor use. It is equipped with a gold infrared tube and cord with plug for easy installation.

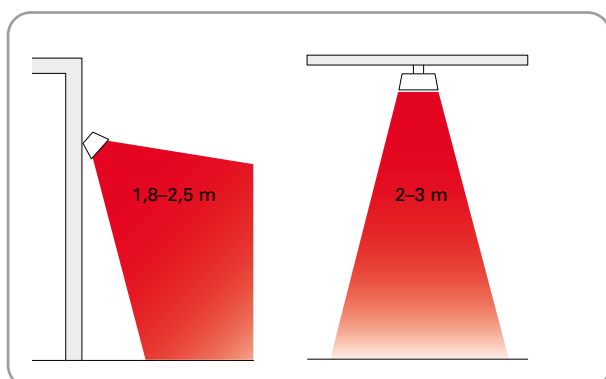
Infralu has a discreet design suitable for most environments. With its high protection class, it is also suitable for use in high humidity conditions.

- Halogen lamp with gold infrared tube and polished aluminium reflector.
- Wall bracket included. For other mounting alternatives, e.g. in the ceiling, under a parasol or awning, see accessories.
- High protection class, IP67.
- Equipped with a 1.9 metre cord with plug for connection to an earthed outlet socket.
- Polished aluminium housing.

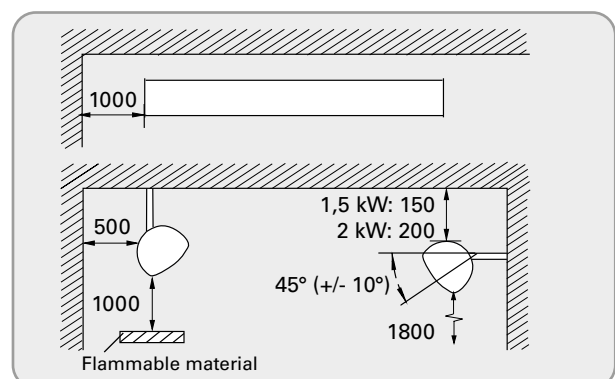
Infralu (IP67)

Type	Heat output [W]	Voltage [V]	Max. filament temperature [°C]	Dimensions LxHxW [mm]	Weight [kg]
IHAL15S	1500	230V~	1800	610x140x97	2,3
IHAL20S	2000	230V~	1800	610x140x97	2,3

Installation height

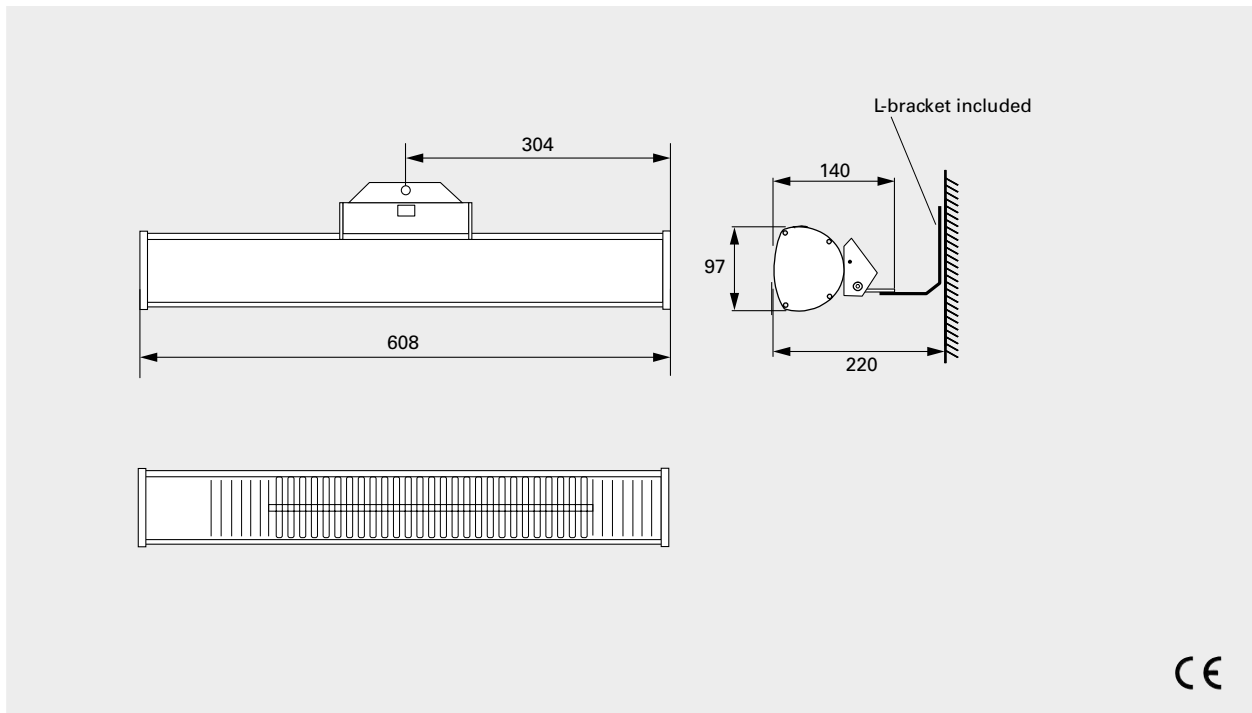


Minimum distances



Design and specifications are subject to change without notice.

Dimensions



Positioning, mounting and connection

Positioning

The heaters must be placed so that they cover the area to be heated, see fig. 1. The normal mounting height is 2–3 metres above the ground/floor. A rule of thumb for infrared heaters is that 600–800 W/m² increases the experienced temperature by about 10 °C. The output demand can be reduced if the area to be heated is protected. If the area only has a roof, at least 800 W/m² should be installed. 600 W/m² is sufficient if the area has three walls. For enclosed areas, the output demand must be calculated. Optimum comfort is achieved if the heat is distributed from at least two directions.

Mounting

IHAL is installed horizontally on walls with supplied bracket. For other mounting alternatives, e.g. in the ceiling, under a parasol or awning, see accessories.

Connection

IHAL is equipped with a 1.9 metre cord with plug for connection to an earthed outlet socket.

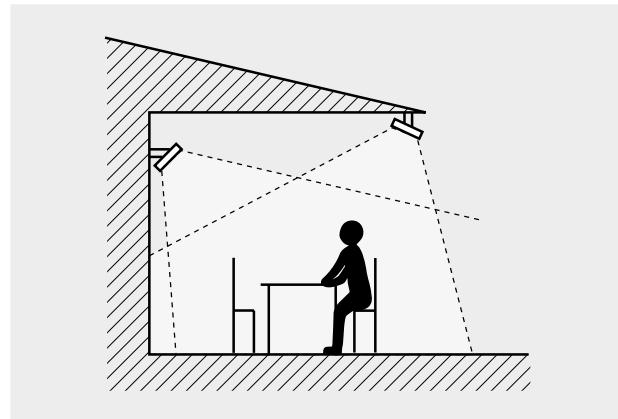


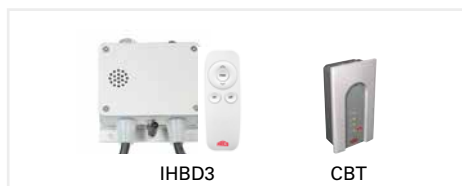
Fig. 1: The heaters should heat from at least two directions for even heating.

Control options

Timer control

The timer can be set to a desired time. If the current load exceeds the timer's setting range or if you want to control a larger system, a contactor can be used.

- CBT, electronic timer



Comfort control

The comfort controller allows you to wirelessly control one or more infrared heaters via an app (iOS or Android) or by using the remote control supplied. The IHBD3 offers stepless control via the Frico Infra app, or 5 step regulation when using the remote control.

- IHBD3, comfort controller

Type	Description
IHBD3	Comfort controller for infrared heater, remote control with dimmer, 3000W, 230V~, IP65
CBT	Electronic timer, IP44

For further information and options, see the "Controls" section.

Accessories



KLS1KS, bracket with velcro

Bracket with velcro for quick and flexible mounting under a parasol or an awning.

BCDF, ceiling bracket

Used to secure the infrared heater in the ceiling.

IHXH, drooping extension bracket for high level mounting

Used to install the heater at high level, such as above a window. Wall bracket included.

IHXL, arching extension bracket for low level mounting

Used to install the heater at low level, such as on a windbreak. Wall bracket included.

Type	Description
KLS1KS	Bracket with velcro
BCDF20	Ceiling bracket, 200 mm, silver
IHXH	Extension bracket for high level mounting
IHXL	Extension bracket for low level mounting