



Bench heater SH

Bench heater for good heating comfort in churches etc.

Application

Bench heater SH is designed for use with church pews, waiting room benches and the like. The bench heater is installed under the seat and distributes heat in the occupied zone through convection and radiant heat.

Comfort

The heaters are dimensioned to produce a pleasant heat on the actual seat surface and to the surroundings. In churches visitors experience good heating comfort, at the same time as power consumption and drying of inventories is kept to a minimum.

Operation and economy

SH is an ideal and efficient option in slowly heated buildings such as churches. Only heating the building when necessary helps to keep down heating costs. Thermostat TAP16R provides several control options.

Design

Bench heater SH has a discreet design especially adapted to fit under benches and seats.

Product specifications

- Dual reflectors (external and internal) give downward heat dispersion.
- Equipped with protection grille and tube element of stainless steel.
- Approved for serial connection.
- To comply with Ecodesign Regulation (EU) 2015/1188 the unit must be installed with thermostat TAP16R.
- Outer reflector is of zinc-plated steel panels and the heater is grey lacquered. Colour: NCS 4000, RAL 7036 (grey).

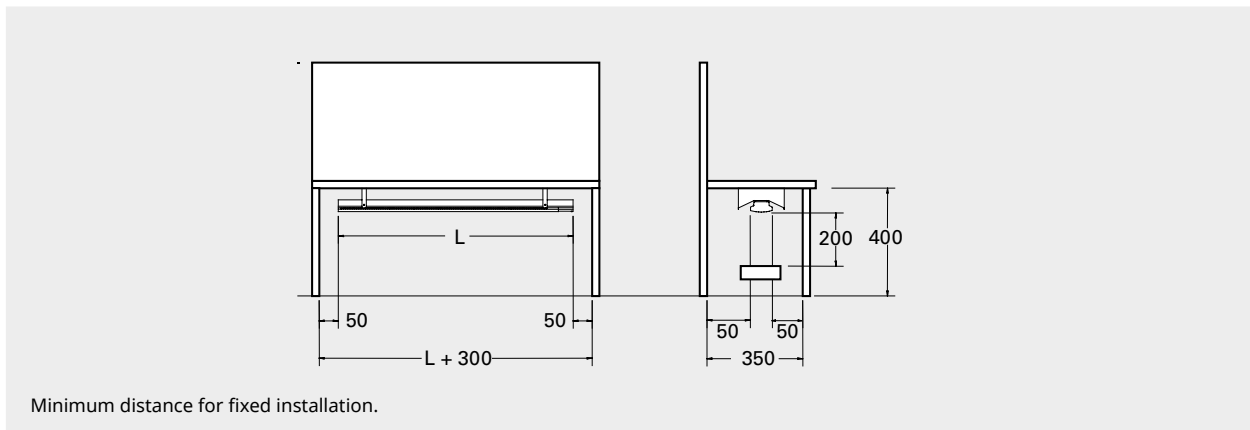
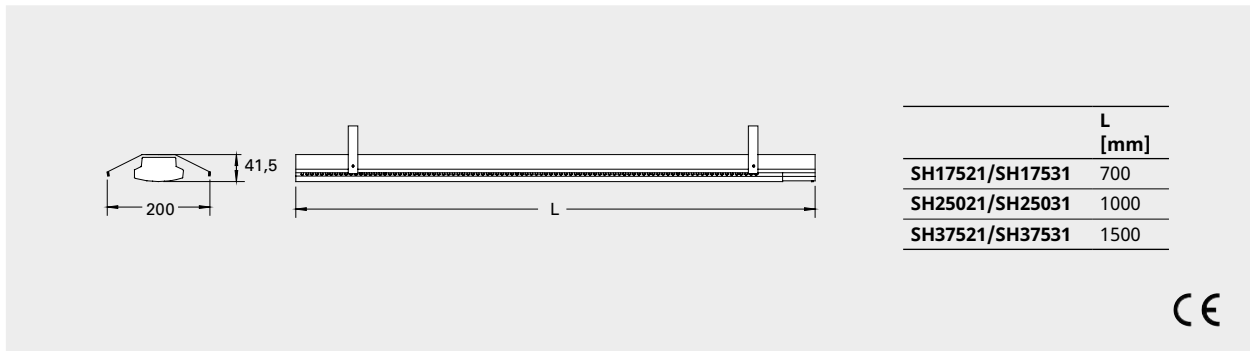
Bench heater SH (IP21)

Item number	Type	Output [W]	Voltage [V]	Amperage [A]	LxH*xW [mm]	Weight [kg]
10201	SH17521	175	230V~	0,8	700x110x200	1,4
10202	SH17531	175	400V~	0,4	700x110x200	1,4
10203	SH25021	250	230V~	1,1	1000x110x200	1,9
10204	SH25031	250	400V~	0,6	1000x110x200	1,9
10206	SH37521	375	230V~	1,6	1500x110x200	2,9
10207	SH37531	375	400V~	0,9	1500x110x200	2,9

*) With brackets

Bench heater SH

Dimensions



Mounting and connection

Mounting

Bench heater SH is installed horizontally underneath benches. For minimum dimensions with permanent installation, see the figure.

Electrical installation

Bench heater SH is intended for permanent installation and is approved for parallel connection. Connection and parallel connection of SH is done with a maximum cable of 4x2.5 mm² + earth.

Control

To comply with Ecodesign Regulation (EU) 2015/1188 the unit must be installed with thermostat TAP16R (accessory). TAP16R has adaptive start, week program and open window detection. Protection class IP44 is obtained by adding a protective enclosure TEP44 and an external sensor which replaces the internal sensor. Please note that a relaybox RB3 is required for 400V~ products.



Item number	Type	Description	HxWxD [mm]
92790	TAP16R	Electronic thermostat, 16A, IP21	87x87x53
205540	TEP44	Protective enclosure for TAP16R, IP44. Must be supplemented with external sensor.	87x87x55
93044	RTX54	External room temperature sensor. Replaces internal sensor. NTC10KΩ, IP54	82x88x25
93012	RB3	Relaybox 400V3N~ (400V3~/V2~, 230V3~/V2~), 16A, IP44	155x87x43

For wiring diagrams and other technical information, please see the manual and www.frico.net.