



Thermowarm TWS

Robust convector with smart functions

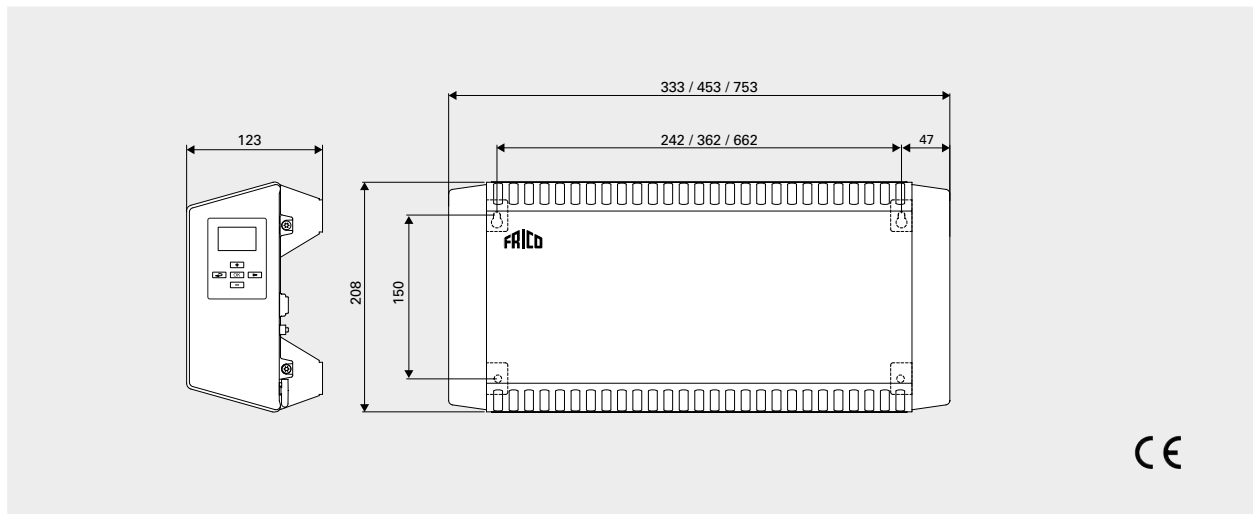
Thermowarm TWS is a series of robust convectors with smart control designed for industrial and public buildings, such as changing rooms, stores and toilets. TWSC can also be used in corrosive and aggressive environments. TWS200 has a surface temperature as low as 60°C, which makes it ideal for daycare centres and bathrooms.

Thanks to its smart control, including several weekly programmes, the convector automatically adapts to its surroundings as well as consuming less energy.

Thermowarm is easy to position and has, despite its small size, a large heat output. The three different surface finishes: white, grey covered panel covered and stainless steel, make Thermowarm suitable for most environments.

- Thermowarm TWS is available in the following versions:
 - **TWS100** has a white front, RAL 9016, NCS S 0500-N, and grey sides. IP44.
 - **TWS200** has a grey velour covered front panel and grey sides. Surface temperature 60°C. IP44.
 - **TWSC** comes in a stainless steel design and has black sides. IP54.
- Smart, integrated control with digital display.
- Adaptive thermostat with setting range 5 – +30 °C.
- Functions for energy saving, comfort and child lock.
- Supplied with pre-installed wall bracket.
- With ribbed flanges and tubular elements, including sides manufactured from impact-resistant thermoplastic.
- The front panel can be painted in any colour or supplied with self-adhesive film. The TWS200 is available with velour in colours other than grey.

Dimensions



Design and specifications are subject to change without notice.

Thermowarm TWS100. White front. (IP44)

Type	Output [W]	Voltage [V]	LxHxD [mm]	Weight [kg]
TWSE103	300	230V~	333x208x123	1,7
TWSE105	500	230V~	453x208x123	2,2
TWSE110	1000	230V~	753x208x123	3,2
TWSD110	1000	400V~	753x208x123	3,2

Thermowarm TWS200. Grey covered front. Max surface temperature of 60 °C. (IP44)

Type	Output [W]	Voltage [V]	LxHxD [mm]	Weight [kg]
TWSE205	500	230V~	453x208x123	2,2
TWSE210	1000	230V~	753x208x123	3,2
TWSD210	1000	400V~	753x208x123	3,2

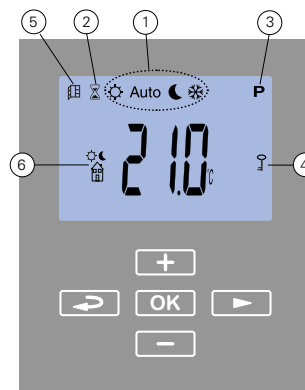
Thermowarm TWSC. Front in stainless steel. (IP54)

Type	Output [W]	Voltage [V]	LxHxD [mm]	Weight [kg]
TWSC303	300	230V~	333x208x123	1,7
TWSC305	500	230V~	453x208x123	2,2
TWSC310	1000	230V~	753x208x123	3,2

Display

The TWS convector has a digital display where all settings are made. The temperature is easily changed by pressing the + or – buttons if a different temperature than the preset + 21° C is desired. It is possible to choose between four modes – comfort, reduced mode (night mode), automatic mode or frost protection.

TWS also has an intelligent weekly program, which detects when the convector should start to heat to the desired temperature at a pre-determined time in the environment in which it is being used. Using the timer, it is easy to change the room temperature for a limited period.



1. Manually switch between comfort temperature, reduced mode, automatic mode and frost protection.
2. Timer mode to change set point for a limited period.
3. Option to set weekly program to automatically switch between comfort temperature and reduced mode.
4. Child/display lock.
5. Integrated Open window mode for energy saving.
6. Potential to view energy consumption for a set time period.

Alarm indication

Automatic switch-over between daylight saving/ summer time and winter time.

Thermowarm TWS

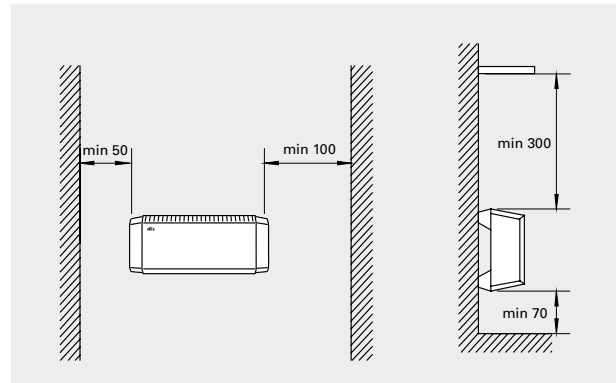
Mounting and connection

Mounting

TWS is mounted horizontally on a wall using the pre-installed wall bracket. For minimum distances, see diagram.

Connection

TWS is fitted with a 0.6 metre long cord without plug and is connected to a junction box. The convector is designed for fixed installation.



Minimum distances

Accessories

TWSL, protective cover for display

Protective cover that covers both display and keypad on the TWS convector.

Type	Description
TWSL12	Protective display cover on TWS100/200
TWSL3	Protective display cover on TWSC

