

## Infradark



## Stylish and powerful patio heater with no visible light

Infradark is a powerful patio heater with a stylish design in black anodised aluminum, making it ideal for elegant outdoor applications in wind protected areas. It provides a pleasant heat and can be operated at 1/3, 2/3 or full power. High protection class (IP55) makes it possible to use the heater in almost any environment.

### Improved comfort

Radiant heaters give a soft, pleasant heat and individual comfort can be created with spot and zone heating. Patio heaters help create a comfortable outdoor environment, allowing people to stay outside even when the temperature drops.

### Operate with remote control

Infradark has three different power options and can be operated at a distance with the easy-to-use remote control provided with the heater. It is possible to control several devices individually via the same remote control.

### Discreet design

Infradark has an elaborated housing in black aluminum. The anodised heating panel provides no visible light, making it very discreet even when turned on.

### Product specifications



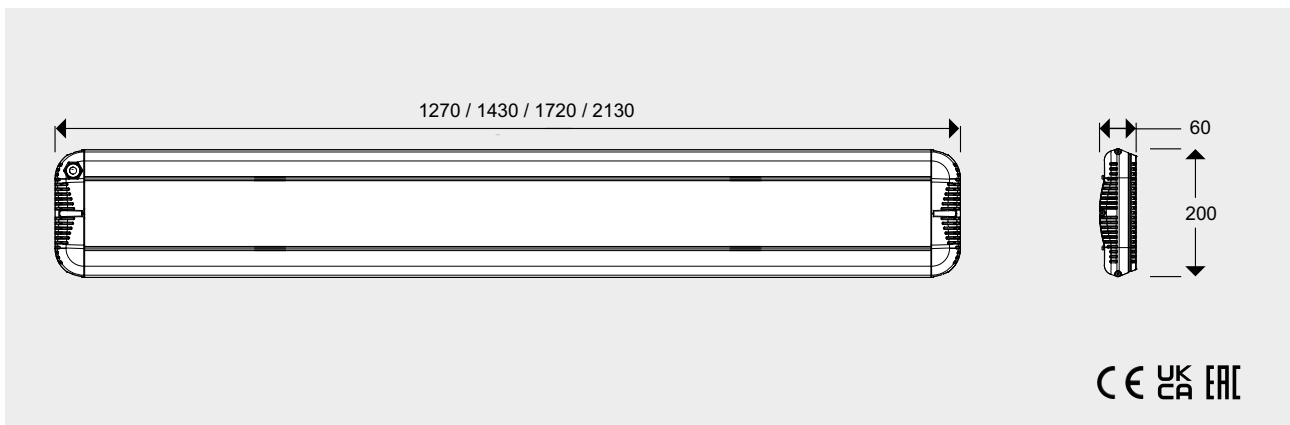
- No visible light
- For wind protected areas
- Brackets for mounting on a wall or to the ceiling are included
- IND15, IND18 and IND24 are equipped with a 1.9 metre cord with plug for connection to an earthed outlet socket. IND32 is equipped with a 3 metre cable without plug.
- Supplied with remote control
- High protection class, IP55

**Infradark (IP55)**

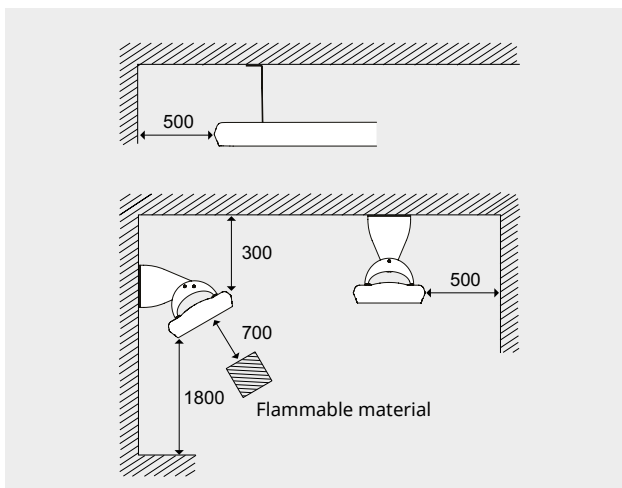
Item number	Type	Output steps	Voltage	Amperage	Max. surface temperature	WxHxD	Weight
		[W]	[V]	[A]	[°C]	[mm]	[kg]
276654	<b>IND15</b>	500/1000/1500	220-230V~	6,6	340	1270x60x200	6,9
276655	<b>IND18</b>	600/1200/1800	220-230V~	7,9	340	1430x60x200	7,5
276656	<b>IND24</b>	800/1600/2400	220-230V~	10,5	340	1720x60x200	9,0
276657	<b>IND32</b>	1100/2100/3200	220-230V~	14	340	2130x60x200	10,4

Heating panel and back cover in anodised aluminium. Ends in powder-coated aluminium. Colour: black RAL9005.

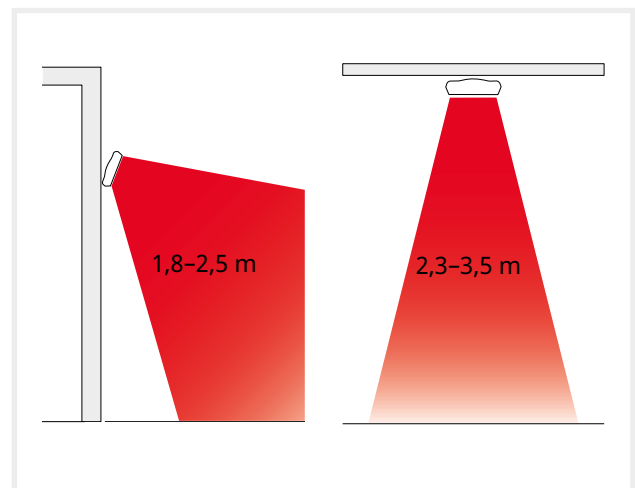
**Dimensions**



**Minimum distances**

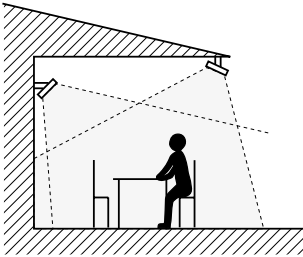


**Installation height**



**Control**

The heater is equipped with a dimmer to adjust the heat output in three steps by the included remote control. The remote control can activate several heaters. After each restart, the product will return to the setting selected before it was turned off.



## Positioning, mounting and connection

### Positioning

The heaters must be placed so that they cover the area to be heated. Optimum comfort is achieved if the heat is distributed from at least two directions. A rule of thumb for infrared heaters equipped with metal tubular elements is that 750–1000 W/m<sup>2</sup> increases the experienced temperature by about 10 °C.

### Mounting

Infradark can be installed on a wall or to the ceiling with the included brackets. The heater can be angled in several fixed positions.

### Connection

IND15, IND18 and IND24 are equipped with a 1.9 metre cord with plug for connection to an earthed outlet socket. IND32 is equipped with a 3 metre cable without plug.

For mounting, connection and other technical information, please see the manual.

