

Infracflex



Versatile patio heater with quick and soft heat

Infracflex provides immediate heat when turned on and cools off quickly when switched off. Infracflex is a versatile patio heater with several mounting options and is well suited for temporary heating at events or patios. High protection class (IP55) makes it possible to use the heater in almost any environment.

Improved comfort

Radiant heaters give a soft, pleasant heat and individual comfort can be created with spot and zone heating. Patio heaters help create a comfortable outdoor environment, allowing people to stay outside even when the temperature drops.

Operate with remote control

Infracflex can be operated at a distance with the easy-to-use remote control provided with the heater. It is possible to control several devices individually via the same remote control.

Lightweight and flexible

Infracflex is a light patio heater with multiple mounting options. It is supplied with wall brackets and chains and can be supplemented with pole bracket, post for freestanding installation or a hinged arm, making it flexible and easy to change its position.



Product specifications

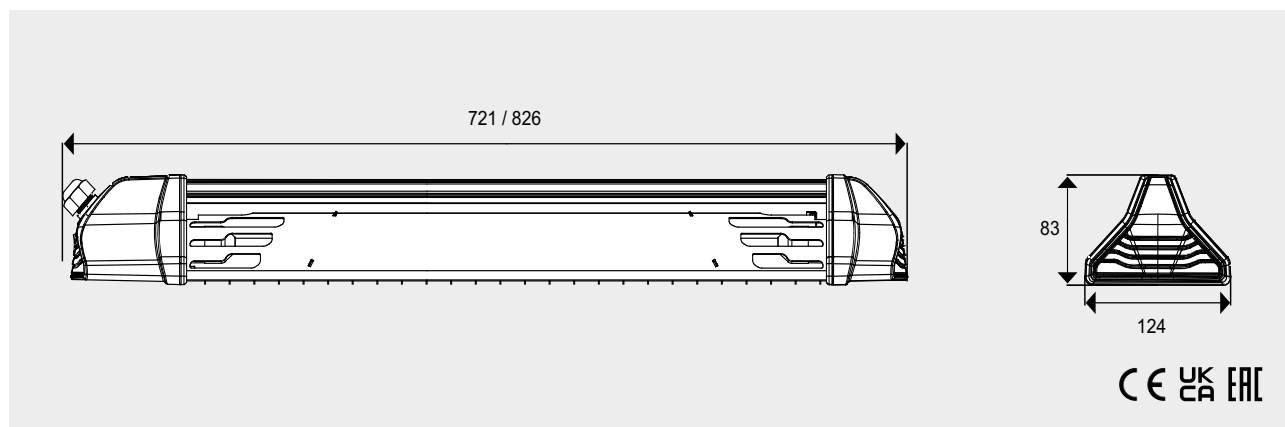
- Halogen quartz lamp with soft, yellow light
- Polished reflector for optimal heat distribution
- Wall brackets and chains (2x0,5 m) are included. Pole bracket, post for freestanding installation or a hinged arm are available as accessories
- Possible to change the angle of the heater
- Equipped with a 1.9 metre cord with plug for connection to an earthed outlet socket
- Supplied with remote control
- High protection class, IP55

Infraflex (IP55)

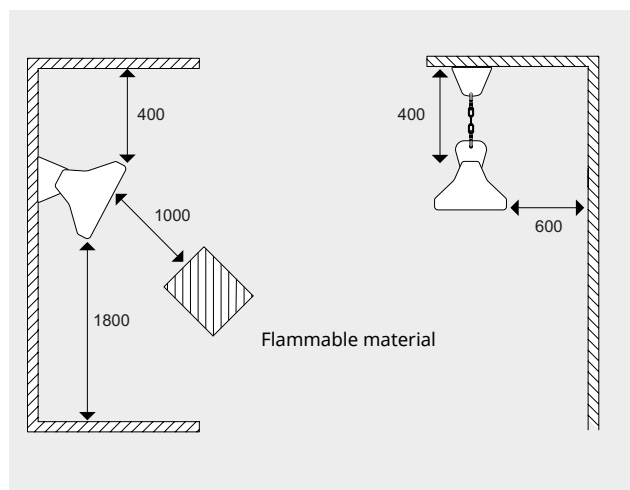
Item number	Type	Heat output	Voltage	Amperage	Max. filament temperature	WxHxD	Weight
		[W]	[V]	[A]	[°C]	[mm]	[kg]
276650	INF12	1200	220-240V~	5,3	1200	721x83x124	0,9
276651	INF18	1800	220-240V~	7,9	1200	826x83x124	1,0

Casing made of aluminium. Ends in black nylon enhanced with fibre glass. Colour: black RAL9005. Halogen quartz lamp with soft, yellow light.

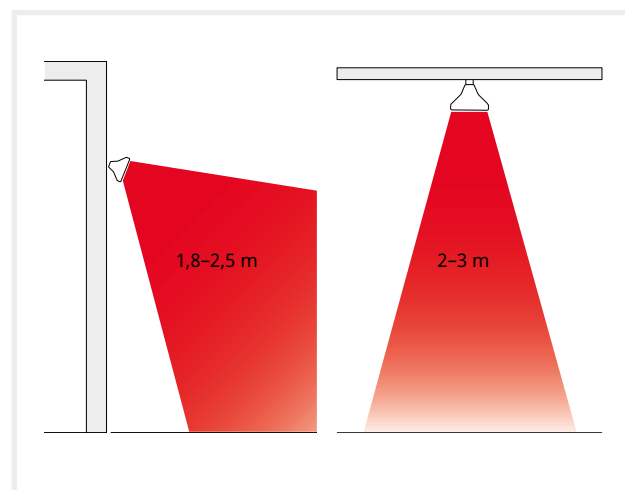
Dimensions



Minimum distances

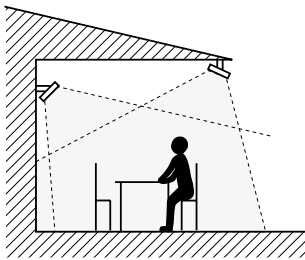


Installation height



Control

The heater is controlled with the included remote control (on/stand-by), or the built-in push button. The remote control can activate several heaters.



Positioning, mounting and connection

Positioning

The heaters must be placed so that they cover the area to be heated. Optimum comfort is achieved if the heat is distributed from at least two directions. A rule of thumb for infrared heaters is that 600–800 W/m² increases the experienced temperature by about 10 °C. The output demand can be reduced if the area to be heated is protected. If the area only has a roof, at least 800 W/m² should be installed. 600 W/m² is sufficient if the area has three walls. For enclosed areas, the output demand must be calculated.

Mounting

Infraflex can be installed directly on a wall, with a hinged arm from the wall, with chains from the ceiling or on a post. Wall brackets and chains are included in delivery. The heater can be angled in several fixed positions.

Connection

Infraflex is equipped with a 1.9 metre cord with plug for connection to an earthed outlet socket.

For mounting, connection and other technical information, please see the manual.

Accessories

INFP, Pole bracket

Bracket for mounting the heater on a fixed post or with the accessory IHP.

IHP, post for freestanding installation

Post for mounting Infraflex on the floor. IHP has a fixed length of 2.3 m and can be cut to desired length.

INFHA05, hinged arm

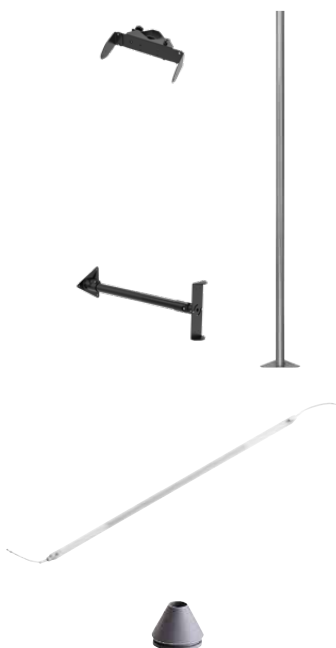
Hinged arm for mounting the heater to a wall while making it flexible and easy to change its position. Length: 500 mm.

INF1200/1800, spare lamp

The lamp of Infraflex is replaceable. The life of the lamp will depend among other things on surrounding temperature and positioning. Must be supplemented with silicone sealing SILS.

SILS, silicone sealing

Silicone sealing for fixating the lamp. Each spare lamp requires two SILS. When replacing the lamp, the silicone sealing connected to the lamp must also be replaced, it should be replaced beforehand if there are signs of aging.



Item number	Type	Description	Consists of
282450	INFP	Pole bracket	1
16970	IHP	Post for freestanding installation	1
282453	INFHA05	Hinged arm 500 mm	1
282454	INF1200	Spare lamp 1200 W	1
282455	INF1800	Spare lamp 1800 W	1
333521	SILS12	Silicone sealing for INF12	1
333522	SILS18	Silicone sealing for INF18	1