

Infraswift



Compact patio heater for swift installation and use

Infraswift is a versatile patio heater with a soft, yellow-orange light. It has a relatively low surface temperature in relation to the heat output, which together with its compact design provides great freedom in placement. The innovative nylon shell makes Infraswift especially suitable for parasol mounting. High protection class (IP65) makes it possible to use the heater in almost any environment.

Improved comfort

Radiant heaters give a soft, pleasant heat and individual comfort can be created with spot and zone heating. Patio heaters help create a comfortable outdoor environment, allowing people to stay outside even when the temperature drops.

Suitable for parasol mounting

Infraswift has an innovative nylon shell that cools quickly, making it possible to fold down the parasol in a short time after switching off the heater.

Easy to install and use

Infraswift is very user friendly. It is swiftly installed with cable and plug, easily operated with the integrated on-off switch and provides immediate heat when you need it.



Product specifications

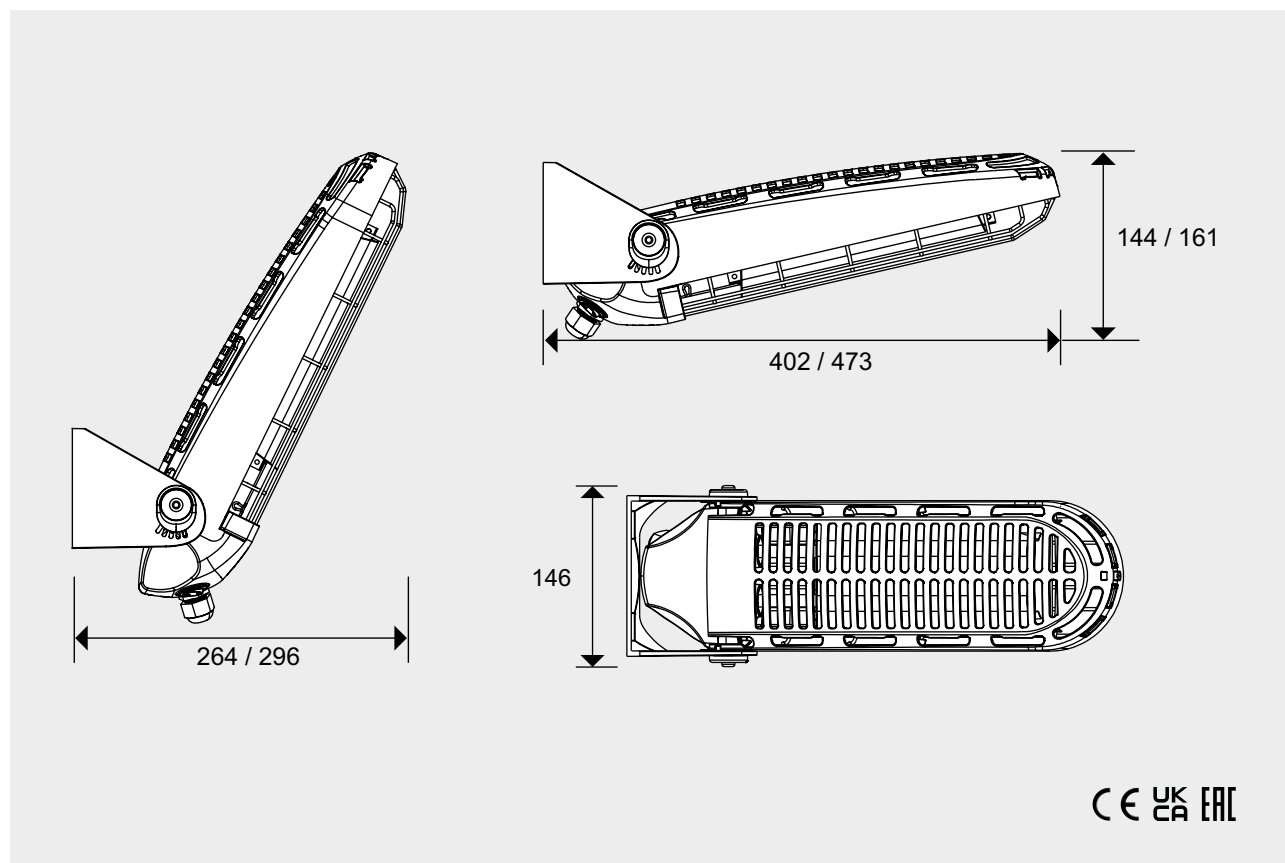
- Carbon lamp with soft, yellow-orange light
- Polished reflector for optimal heat distribution
- Innovative nylon shell that cools quickly
- Wall bracket included. Parasol clamp available as accessory
- Possible to change the angle of the heater
- Equipped with a 1.9 metre cord with plug for connection to an earthed outlet socket
- High protection class, IP65

Infraswift (IP65)

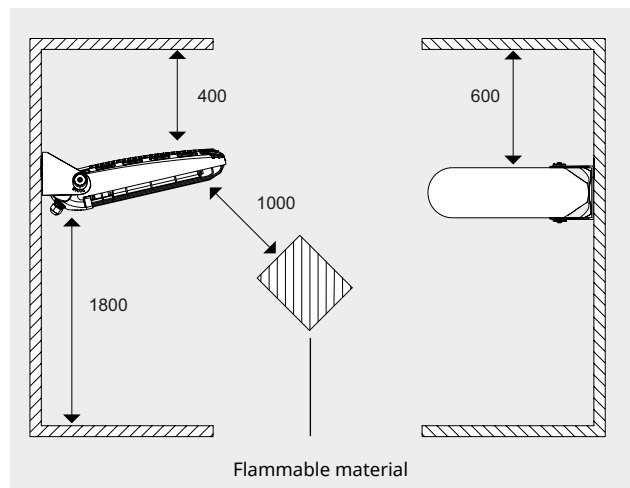
Item number	Type	Heat output	Voltage	Amperage	Max. filament temperature	Dimensions WxHxD	Weight
		[W]	[V]	[A]	[°C]	[mm]	[kg]
276652	INS08	800	220-240V~	3,5	700	146x144x402	1,0
276653	INS12	1200	220-240V~	3,5	700	146x161x473	1,0

Casing made of black nylon enhanced with fibre glass. Protective grille in galvanized steel. Carbon lamp with soft, yellow-orange light.

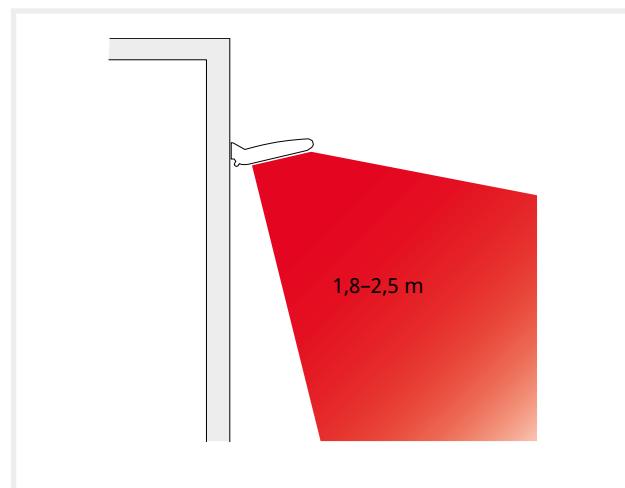
Dimensions

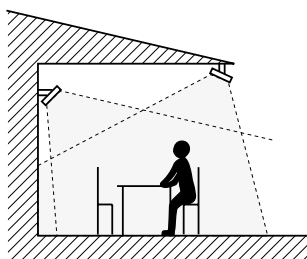


Minimum distances



Installation height





Positioning, mounting and connection

Positioning

The heaters must be placed so that they cover the area to be heated. Optimum comfort is achieved if the heat is distributed from at least two directions. A rule of thumb for infrared heaters is that 600–800 W/m² increases the experienced temperature by about 10 °C. The output demand can be reduced if the area to be heated is protected. If the area only has a roof, at least 800 W/m² should be installed. 600 W/m² is sufficient if the area has three walls. For enclosed areas, the output demand must be calculated.

Mounting

Infraswift can be installed on a wall, a post or under a parasol and is supplied with a wall bracket. The heater can be angled in several fixed positions. A clamp for mounting the heater on a post or on the ribs of a parasol is available as accessory.

Connection

Infraswift is equipped with a 1.9 metre cord with plug for connection to an earthed outlet socket.

For mounting, connection and other technical information, please see the manual.

Accessories

INSP, parasol clamp

Clamp for mounting the heater on a post or on the ribs of a parasol. The clamp can be fixed on a round post/rib of diameter 20-45 mm, or a square one with sides of 18-33 mm.



INS800/1200, spare lamp

The lamp of Infraswift is replaceable. The life of the lamp will depend among other things on surrounding temperature and positioning. Must be supplemented with silicone sealing SILS.

SILS, silicone sealing

Silicone sealing for fixating the lamp. Each spare lamp requires two SILS. When replacing the lamp, the silicone sealing connected to the lamp must also be replaced, it should be replaced beforehand if there are signs of aging.



Item number	Type	Description	Consists of
282449	INSP	Parasol clamp	1
282456	INS800	Spare lamp 800 W	1
282458	INS1200	Spare lamp 1200 W	1
333521	SILS12	Silicone sealing	1