

1 2 3 4 5 6 7 8

F

E

D

C

B

A

F

E

D

C

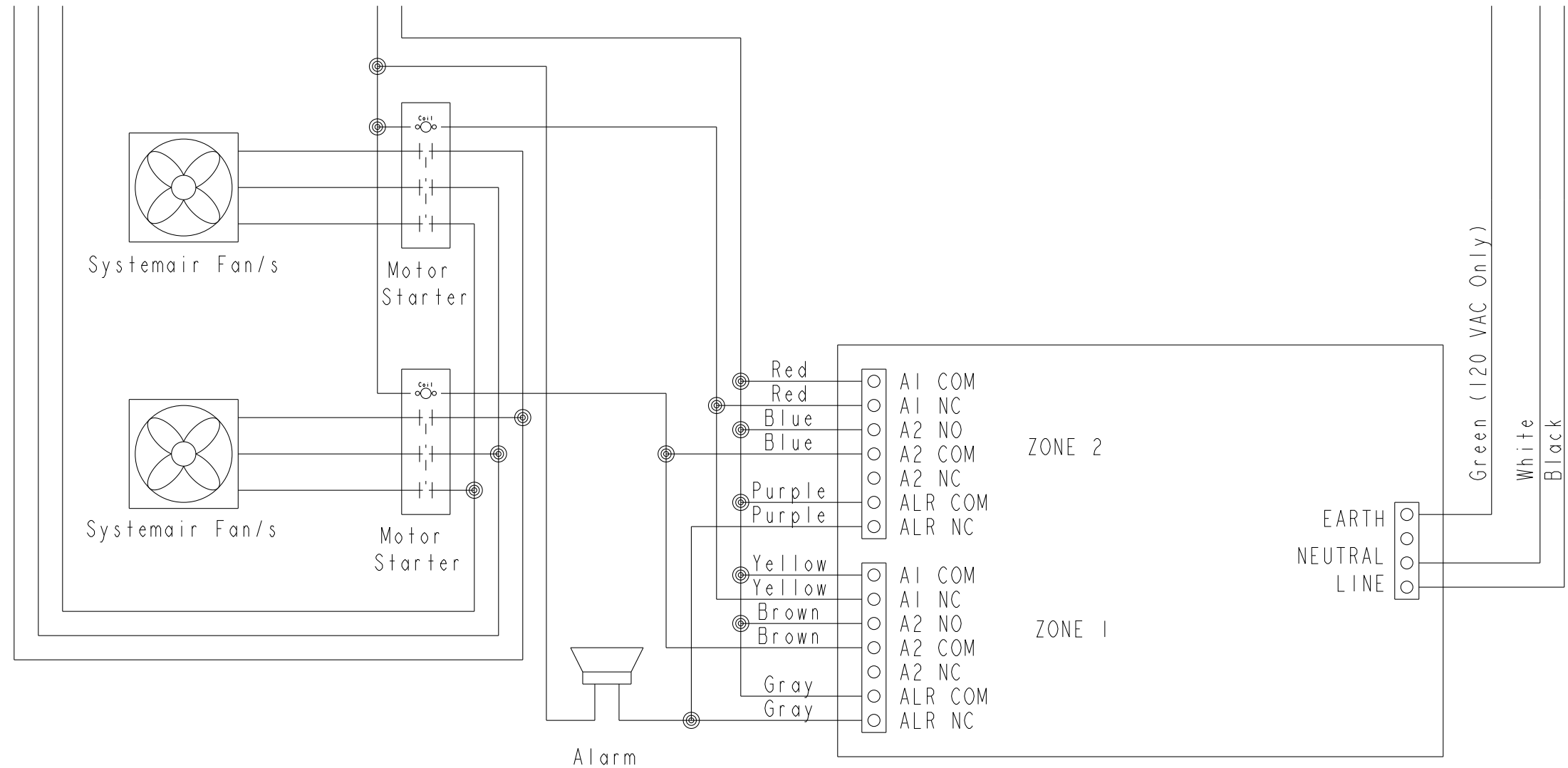
B

A

Systemair Fan/s
(Model: AJR)
(3-Phase)

Supplied Control
Voltage

Dedicated
Detector Power

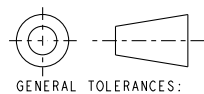


Alarm

Systemair Single-Zone Control Hub

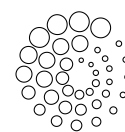
The duplication and usage of this document or the contents thereof, without proper authorization is strictly prohibited. Controvention will be prosecuted.
La duplication et l'utilisation de ce document ou de son contenu sans autorisation est strictement interdite. Toute controvention sera poursuivie.

ALL DIMENSIONS ARE IN INCHES UNLESS OTHERWISE NOTED.



GENERAL TOLERANCES:
.00 ± 0.03
.000 ± 0.010
ANGLES ± 0.5

MATERIAL:
MATERIAL SPEC. :



Systemair
Manufacturing, Inc.

10048 Industrial Blvd.
Lenexa, KS 66215 USA
Tel: (913) 752-6000 Fax: (800) 747-1762

CHECKED BY:
C. Gomes

SHEET:

DATE: 22-Mar-2024

SCALE:

PROJECT/PROJET

DRAWN BY: / DESSIN PAR:

C. Gomes

Systemair Single-Zone Control Hub
Two Fan Ventilation System
with Two Zone

B OLD No.

GENERIC No.

DRAWING NO. /
NO. DU DESSIN/

REV.

1 2 3 4 4