



E-BACNET2-V manual



© Copyright AB Systemair, Sweden, 2012



DISCLAIMER

The information in this manual has been carefully checked and is believed to be correct. Systemair, however, makes no warranties in regard to the contents of this manual. Users are requested to report errors, discrepancies or ambiguities to Systemair, so that corrections may be made in future editions. The information in this document is subject to change without prior notification.

The software described in this document is supplied under licence by Systemair and may be used or copied only in accordance with the terms of the licence. No part of this document may be reproduced or transmitted in any form or fashion, electronically or mechanically, without the express, written permission of Systemair.

COPYRIGHT

© AB Systemair. All rights reserved.

TRADEMARKS

Corrigo E is a registered trademark of AB Systemair.

Other product names mentioned in this document are used for identification purposes only and may be the registered trademarks of their respective companies.

Revision A, October 2012

Table of contents

CHAPTER 1 ABOUT E-BACNET2-V	4
CHAPTER 2 WIRING	5
CHAPTER 3 CONFIGURATION	6
Refresh.....	6
Wink.....	6
Edit / Change settings.....	6
APPENDIX 1 LIST OF VARIABLES FOR E-BACNET2-V	9
Analog Inputs.....	9
Analog Values	10
Binary Inputs.....	12
Binary Values	14
Multistate Inputs	14
Multistate Values.....	15

Chapter 1 About E-BACNET2-V

E-BACNET2-V is a pre-configured converter for connecting a Corrigo E running a ventilation application version 3.0 or later to a SCADA system. The converter has a pre-configured *device id* and a fixed IP address of 192.168.92.92. Communication with Corrigo E takes place via the PLA:ELA address 254:254. To change these settings, see chapter 3.

The Corrigo E controller is connected to the converter with the supplied cable and communicates with the SCADA system via the Ethernet port on the converter.

Technical data

Supply voltage	12...48 V DC
Power consumption	4.5 W
Dimensions	77 x 111 x 26 mm
Weight	190 g
Mounting	Wall
Ambient temperature	-10...+60°C
Storage temperature	-20...+80°C
Ambient humidity.....	5...95 % RH
Ethernet connections	Two, automatic change-over 10/100 Mbps
Serial connections.....	Two RS-232/422/485 (9-pole D-sub)

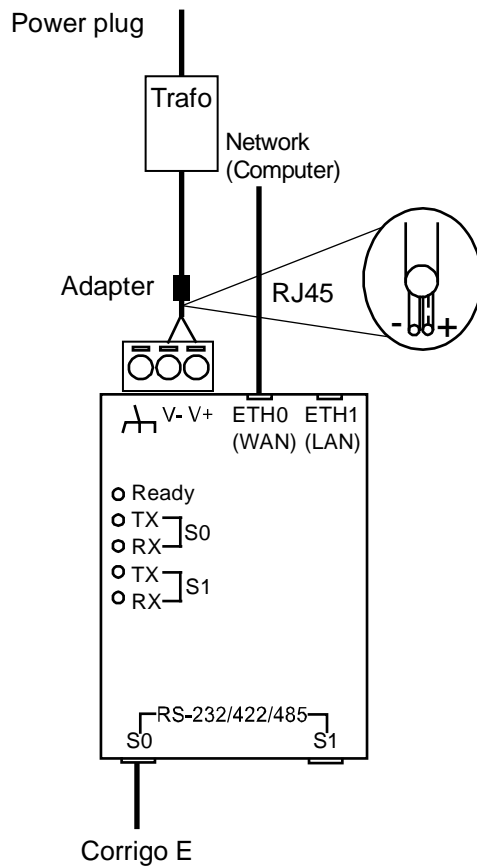
Chapter 2 Wiring

Mount the converter directly on a flat surface, e.g. using a mounting screw (not included). A kit for DIN-mounting is also available as an option. The transformer should preferably be mounted using a cable tie.

Connect the RS485 cable marked *E-CABLE-BACNET* to the S0 port on the converter and to the B, A and N terminals (50, 51 and 52) on the Corrigo. Connect E-BACNET2-V to the local network by connecting the RJ45 cable between the ETH0 (WAN) port of the converter and a network port. The converter may also be connected directly to a computer, but this requires a crossover RJ45 cable (not included).

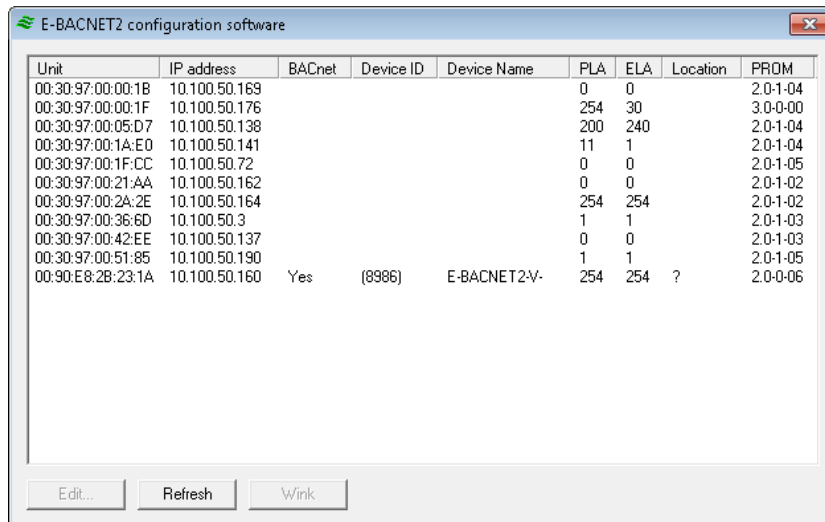
Connect the power supply to the converter and to the Corrigo E. Please note when wiring the supply voltage into the converter: V + is marked while V - is entirely black.

It will take approx. one minute for the converter to start up. When the unit is ready, the *Ready* light will be lit. If the Corrigo connected has the PLA:ELA address 254:254, the converter will begin communicating. This is indicated by the S0 TX and RX lights blinking. The unit is now also available in the BACnet network.



Chapter 3 Configuration

All configuration takes place via the software tool *E-BACNET2 configuration software* for Microsoft Windows (XP, Vista or Windows 7). Once the program is started, it will scan the network for E-BACNET2-V units. All available converters connected to the network are displayed.



The screenshot shows the 'E-BACNET2 configuration software' window. It contains a table with the following data:

Unit	IP address	BACnet	Device ID	Device Name	PLA	ELA	Location	PROM
00:30:97:00:00:1B	10.100.50.169				0	0		2.0-1-04
00:30:97:00:00:1F	10.100.50.176				254	30		3.0-0-00
00:30:97:00:05:D7	10.100.50.138				200	240		2.0-1-04
00:30:97:00:1A:E0	10.100.50.141				11	1		2.0-1-04
00:30:97:00:1F:CC	10.100.50.72				0	0		2.0-1-05
00:30:97:00:21:AA	10.100.50.162				0	0		2.0-1-02
00:30:97:00:2A:2E	10.100.50.164				254	254		2.0-1-02
00:30:97:00:36:6D	10.100.50.3				1	1		2.0-1-03
00:30:97:00:42:EE	10.100.50.137				0	0		2.0-1-03
00:30:97:00:51:85	10.100.50.190				1	1		2.0-1-05
00:90:E8:2B:23:1A	10.100.50.160	Yes	(8986)	E-BACNET2-V-	254	254	?	2.0-0-06

At the bottom of the window, there are three buttons: 'Edit...', 'Refresh', and 'Wink'.

Refresh

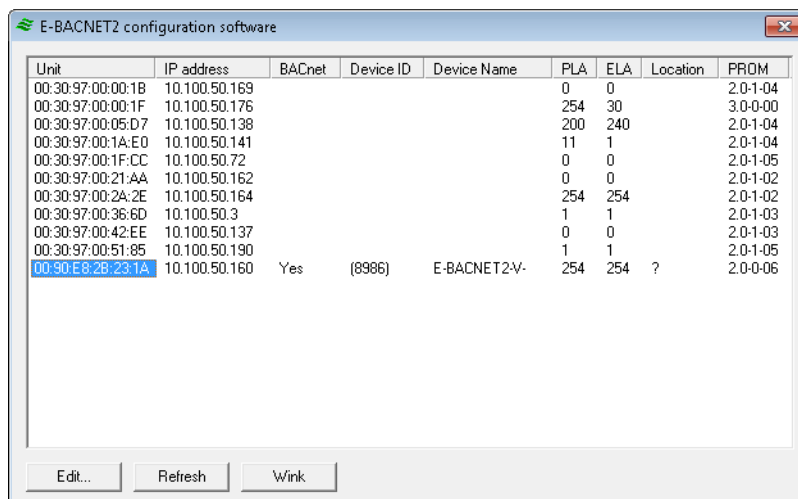
Pressing the Refresh button will update the list of converters.

Wink

Wink is a function that can be used to ensure that the correct physical converter has been selected in the configuration tool. By selecting a converter in the list and clicking the Wink button, the LED:s on the converter will blink and a short beep will be heard.

Edit / Change settings

Only a converter with the value BACnet = "Yes" can be edited. To edit the settings of a unit, select it in the list of available converters and click Edit.



The screenshot shows the same 'E-BACNET2 configuration software' window as above, but the row for the unit '00:90:E8:2B:23:1A' is highlighted in blue. The 'Edit...' button is now disabled (greyed out), while 'Refresh' and 'Wink' remain active.

This will display the following window, containing the settings that can be made:

IP

It is possible either to let the network's DHCP server assign the converter an IP address or to assign it a fixed IP address.

BACnet

Permits setting of:

- *Device ID*: The device ID number of the object.
- *Location*: Place, e.g. "room23".
- *Description*: Description, e.g. "AHU01" (air handling unit 01).
- *Name*: The desired name of the converter. If adding a dollar sign (\$) after the name, device ID will be automatically added after it.

- *UDP Port*. BACnet IP standard is 47808.

The checkbox "Foreign device" is used when E-BACNET2-V is to be connected to another IP network. It is then necessary to state the BBMD address. An example of this is when E-BACNET2-V is stand-alone and connecting to a SCADA system over the Internet. The BBMD address is handled by the network administrator.

Station

Used to state the PLA:ELA address for Corrigo E on the RS485 side. The Corrigo E standard address is 254:254.

The "Debug" checkbox is used to set the converter to debug mode. This function requires a special version of the converter, and is not normally used.

Once all settings has been made, press "Save" in order to upload the settings to the converter.

Appendix I

Appendix 1 List of variables for E-BACNET2-V

E-BACNET2-V contains a total of 184 objects. These are distributed over different categories in accordance with the following list:

- Analog Input = 40
- Analog Value = 41
- Binary Input = 98
- Binary Value = 1
- Multistate Input = 1
- Multistate Value = 2
- Device = 1

Analog Inputs

Object name	Object ID	Description	Unit	Adjustable
Cor_SupplyAirTemp	Analog Input, 0	Supply air temperature	°C	No
Cor_ExtractAirTemp	Analog Input, 1	Extract air temperature	°C	No
Cor_RoomTemp1	Analog Input, 2	Room temperature 1	°C	No
Cor_RoomTemp2	Analog Input, 3	Room temperature 2	°C	No
Cor_ExhaustAirTemp	Analog Input, 4	Exhaust air temperature	°C	No
Cor_ExtraSensor	Analog Input, 5	External sensor/setpoint device, depending on the configuration.	°C	No
Cor_SAFPressure	Analog Input, 6	Current pressure, supply air	Pa	No
Cor_EAFPressure	Analog Input, 7	Current pressure, extract air	Pa	No
Cor_DeIcingTemp	Analog Input, 8	De-icing temperature	°C	No
Cor_FrostprotectionTemp	Analog Input, 9	Frost protection temperature	°C	No
Cor_CO2Sensor	Analog Input, 10	CO ₂ sensor	ppm	No
Cor_HumidityRoom	Analog Input, 11	Humidity, room	RH	No
Cor_HumidityDuct	Analog Input, 12	Humidity, duct	RH	No
Cor_ExtraUnitTemp	Analog Input, 13	Extra controller, temperature	°C	No
Cor_ExtSAFControl	Analog Input, 14	Frequency control, manual SAF	%	No
Cor_ExtEAFControl	Analog Input, 15	Frequency control, manual EAF	%	No
Cor_HumidityOutdoor	Analog Input, 16	Humidity outdoor	RH	No
Cor_SAFAirFlow	Analog Input, 17	Frequency control, air flow SAF	m ³ /h	No
Cor_EAFAirFlow	Analog Input, 18	Frequency control, air flow EAF	m ³ /h	No
Cor_HeatCV1	Analog Input, 19	Current output Y1-heating	V	No
Cor_ExchCV1	Analog Input, 20	Current output Y2-exchanger	V	No
Cor_CoolCV1	Analog Input, 21	Current output Y3-cooling	V	No
Cor_SAF	Analog Input, 22	Current output frequency converter SAF	V	No

Object name	Object ID	Description	Unit	Adjustable
Cor_EAF	Analog Input, 23	Current output EAF	V	No
Cor_Humidity	Analog Input, 24	Current output dehumidification/humidification	V	No
Cor_Split	Analog Input, 25	Current output split	V	No
Cor_ExtraSeqCV1	Analog Input, 26	Current output Y4-extra sequence	V	No
Cor_Efficiency	Analog Input, 27	Heat exchanger efficiency	%	No
Cor_SAFRunTime	Analog Input, 28	Running time SAF	h	No
Cor_EAFRunTime	Analog Input, 29	Running time EAF	h	No
Cor_SupplyPID_SetP	Analog Input, 30	Calculated supply air setpoint at outdoor compensated setpoint	°C	No
Cor_SupplyPID_Output	Analog Input, 31	Supply air controller output signal	%	No
Cor_ExtractPID_Output	Analog Input, 32	Extract air controller output signal	%	No
Cor_SAFPID_Output	Analog Input, 33	Output signal SAF	%	No
Cor_EAFPID_Output	Analog Input, 34	Output signal EAF	%	No
Cor_FrostPID_Output	Analog Input, 35	Warming controller output signal	%	No
Cor_CO2PID_Output	Analog Input, 36	CO ₂ controller output signal	%	No
Cor_RoomPID_Output	Analog Input, 37	Room controller output signal	%	No
Cor_DeIcePID_Output	Analog Input, 38	De-icing controller output signal	%	No
Cor_HumidityPID_Output	Analog Input, 39	Humidity controller output signal	%	No

Analog Values

Object name	Object ID	Description	Unit	Adjustable
Cor_SupplySetpoint	Analog Value, 0	Supply air setpoint if supply air control is selected	°C	Yes
Cor_ExtractSetpoint	Analog Value, 1	Extract air setpoint if extract air control is selected	°C	Yes
Cor_SAFFullspeedPressure	Analog Value, 2	Setpoint normal speed supply air fan, frequency control pressure	Pa	Yes
Cor_SAFHalfspeedPressure	Analog Value, 3	Setpoint reduced speed supply air fan, frequency control pressure	Pa	Yes
Cor_EAFFullspeedPressure	Analog Value, 4	Setpoint normal speed extract air fan, frequency control pressure	Pa	Yes
Cor_EAFHalfspeedPressure	Analog Value, 5	Setpoint reduced speed extract air fan, frequency control pressure	Pa	Yes
Cor_CO2Setpoint	Analog Value, 6	Setpoint CO ₂	ppm	Yes
Cor_SAFFullspeedAirFlow	Analog Value, 7	Setpoint normal speed supply air fan flow	m ³ /h	Yes
Cor_SAFHalfspeedAirFlow	Analog Value, 8	Setpoint reduced speed supply air fan flow	m ³ /h	Yes
Cor_EAFFullspeedAirFlow	Analog Value, 9	Setpoint normal speed extract air fan flow	m ³ /h	Yes
Cor_EAFHalfspeedAirFlow	Analog Value, 10	Setpoint reduced speed extract air fan flow	m ³ /h	Yes
Cor_NeedHeatStart	Analog Value, 11	Room temperature for start of support control heating	°C	Yes

Object name	Object ID	Description	Unit	Adjustable
Cor_NeedHeatStop	Analog Value, 12	Room temperature for stop of support control heating	°C	Yes
Cor_NeedCoolStart	Analog Value, 13	Room temperature for start of support control cooling	°C	Yes
Cor_NeedCoolStop	Analog Value, 14	Room temperature for stop of support control cooling	°C	Yes
Cor_DeIcingSetpoint	Analog Value, 15	Setpoint de-icing	°C	Yes
Cor_DeIcingHyst	Analog Value, 16	Hysteresis de-icing	°C	Yes
Cor_HumiditySetpoint	Analog Value, 17	Setpoint humidity	RH	Yes
Cor_HumidityMaxDuct	Analog Value, 18	Max. duct humidity	RH	Yes
Cor_HumidityHyst	Analog Value, 19	Hysteresis for start of dehumidification/humidification	RH	Yes
Cor_RoomSetP	Analog Value, 20	Room setpoint if using room control	°C	Yes
Cor_FrostProtSPStop	Analog Value, 21	Setpoint frost protection if the ventilation unit is stopped	°C	Yes
Cor_FrostProtPGain	Analog Value, 22	P-band frost protection function (when running)	°C	Yes
Cor_SupplyMaxDiff	Analog Value, 23	Alarm max. difference between supply air setpoint and actual value	°C	Yes
Cor_SupplyLowAlarmLimit	Analog Value, 24	Alarm low supply air temperature	°C	Yes
Cor_SupplyHighAlarmLimit	Analog Value, 25	Alarm high supply air temperature	°C	Yes
Cor_EfficiencyLowLimit	Analog Value, 26	Alarm low efficiency	%	Yes
Cor_FrostLimit	Analog Value, 27	Alarm limit frost protection	°C	Yes
Cor_RoomHighLimit	Analog Value, 28	Alarm high room temperature	°C	Yes
Cor_RoomLowLimit	Analog Value, 29	Alarm low room temperature	°C	Yes
Cor_ExtractAirTempHigh	Analog Value, 30	Alarm high extract air temperature	°C	Yes
Cor_ExtractAirTempLow	Analog Value, 31	Alarm low extract air temperature	°C	Yes
Cor_SAFMaxDiffPressure	Analog Value, 32	Alarm max. difference between pressure setpoint and actual value SAF	Pa	Yes
Cor_EAFMaxDiffPressure	Analog Value, 33	Alarm max. difference between pressure setpoint and actual value EAF	Pa	Yes
Cor_RecycleSetP	Analog Value, 34	Setpoint recirculation	°C	Yes
Cor_RecycleMaxRoomTemp	Analog Value, 35	Stop recirculation function if the room temperature exceeds the set value	°C	Yes
Cor_RecycleSAFOffset	Analog Value, 36	Pressure/flow setpoint offset for the supply air fan when using recirculation control	Pa	Yes
Cor_OutDoorTemp	Analog Value, 37	Outdoor temperature	°C	Yes
AlaAcknow	Analog Value, 38	Acknowledge alarm by entering the alarm number XX of the alarm in question (AlaPt_XX)	-	Yes
AlaBlock	Analog Value, 39	Block alarm by entering the alarm number of the alarm in question	-	Yes
AlaUnblock	Analog Value, 40	Unblock alarm by entering the alarm number of the alarm in question	-	Yes

Binary Inputs

Object name	Object ID	Description	Unit	Adjustable
Cor_SAFStart1	Binary Input, 0	Start signal SAF normal	-	No
Cor_EAFStart1	Binary Input, 1	Start signal EAF normal	-	No
Cor_SAFStart2	Binary Input, 2	Start signal SAF reduced	-	No
Cor_EAFStart2	Binary Input, 3	Start signal EAF reduced	-	No
Cor_HeatPumpStart	Binary Input, 4	Start signal P1-heater	-	No
Cor_ExchPumpStart	Binary Input, 5	Start signal P1-exchanger	-	No
Cor_CoolPumpStart	Binary Input, 6	Start signal P1-cooler	-	No
Cor_SumAlarm	Binary Input, 7	Sum alarm A + B	-	No
Cor_SumAlarmA	Binary Input, 8	Sum alarm A	-	No
Cor_SumAlarmB	Binary Input, 9	Sum alarm B	-	No
Cor_SAFFrequencyStart	Binary Input, 10	Start signal SAF frequency converter	-	No
Cor_EAFFrequencyStart	Binary Input, 11	Start signal EAF frequency converter	-	No
Cor_NeedHeatActive	Binary Input, 12	Support control heating active	-	No
Cor_NeedCoolActive	Binary Input, 13	Support control cooling active	-	No
Cor_DemandCO2Active	Binary Input, 14	CO ₂ running mode active	-	No
Cor_ExtendedRunActiveFull	Binary Input, 15	Extended running normal active	-	No
Cor_ExtendedRunActiveHalf	Binary Input, 16	Extended running reduced active	-	No
Cor_DeIcingActive	Binary Input, 17	De-icing function active	-	No
Cor_RecycleRunActive	Binary Input, 18	Recirculation function active	-	No
Cor_AlaPt_1	Binary Input, 19	Malfunction supply air fan: 0 = No alarm 1 = Alarm	-	No
Cor_AlaPt_2	Binary Input, 20	Malfunction extract air fan	-	No
Cor_AlaPt_3	Binary Input, 21	Run error P1-heater	-	No
Cor_AlaPt_4	Binary Input, 22	Run error P1-cooler	-	No
Cor_AlaPt_5	Binary Input, 23	Run error P1-exchanger	-	No
Cor_AlaPt_6	Binary Input, 24	Filter guard	-	No
Cor_AlaPt_7	Binary Input, 25	Flow guard	-	No
Cor_AlaPt_8	Binary Input, 26	Frost protection	-	No
Cor_AlaPt_9	Binary Input, 27	De-icing pressure guard	-	No
Cor_AlaPt_10	Binary Input, 28	Fire alarm	-	No
Cor_AlaPt_11	Binary Input, 29	External switch	-	No
Cor_AlaPt_12	Binary Input, 30	External alarm	-	No
Cor_AlaPt_13	Binary Input, 31	Control deviation supply air temperature	-	No
Cor_AlaPt_14	Binary Input, 32	Humidity control error	-	No
Cor_AlaPt_15	Binary Input, 33	High supply air temperature	-	No
Cor_AlaPt_16	Binary Input, 34	Low supply air temperature	-	No
Cor_AlaPt_17	Binary Input, 35	Supply air temperature max. limit	-	No
Cor_AlaPt_18	Binary Input, 36	Supply air temperature min. limit	-	No

Object name	Object ID	Description	Unit	Adjustable
Cor_AlaPt_19	Binary Input, 37	High room temperature	-	No
Cor_AlaPt_20	Binary Input, 38	Low room temperature	-	No
Cor_AlaPt_21	Binary Input, 39	High extract air temperature	-	No
Cor_AlaPt_22	Binary Input, 40	Low extract air temperature	-	No
Cor_AlaPt_23	Binary Input, 41	Overheating electric heater	-	No
Cor_AlaPt_24	Binary Input, 42	Frost risk	-	No
Cor_AlaPt_25	Binary Input, 43	Low frost protection temperature	-	No
Cor_AlaPt_26	Binary Input, 44	Low efficiency	-	No
Cor_AlaPt_27	Binary Input, 45	Sensor error outdoor temperature	-	No
Cor_AlaPt_28	Binary Input, 46	Analogue de-icing	-	No
Cor_AlaPt_29	Binary Input, 47	Rotation sentinel exchanger	-	No
Cor_AlaPt_30	Binary Input, 48	Fire damper is out of operation	-	No
Cor_AlaPt_31	Binary Input, 49	SAF control error	-	No
Cor_AlaPt_32	Binary Input, 50	EAF control error	-	No
Cor_AlaPt_33	Binary Input, 51	SAF external operation	-	No
Cor_AlaPt_34	Binary Input, 52	EAF external operation	-	No
Cor_AlaPt_35	Binary Input, 53	Unit in manual mode	-	No
Cor_AlaPt_36	Binary Input, 54	Supply air controller in manual mode	-	No
Cor_AlaPt_37	Binary Input, 55	SAF in manual mode	-	No
Cor_AlaPt_38	Binary Input, 56	Frequency converter SAF in manual mode	-	No
Cor_AlaPt_39	Binary Input, 57	EAF in manual mode	-	No
Cor_AlaPt_40	Binary Input, 58	Frequency converter EAF in manual mode	-	No
Cor_AlaPt_41	Binary Input, 59	Heating battery in manual mode	-	No
Cor_AlaPt_42	Binary Input, 60	Exchanger in manual mode	-	No
Cor_AlaPt_43	Binary Input, 61	Cooling battery in manual mode	-	No
Cor_AlaPt_44	Binary Input, 62	P1-heater in manual mode	-	No
Cor_AlaPt_45	Binary Input, 63	P1-exchanger in manual mode	-	No
Cor_AlaPt_46	Binary Input, 64	P1-cooler in manual mode	-	No
Cor_AlaPt_47	Binary Input, 65	Fire damper in manual mode	-	No
Cor_AlaPt_48	Binary Input, 66	Internal battery error	-	No
Cor_AlaPt_49	Binary Input, 67	Sensor error supply air temperature	-	No
Cor_AlaPt_50	Binary Input, 68	Sensor error extract air temperature	-	No
Cor_AlaPt_51	Binary Input, 69	Sensor error room temperature 1	-	No
Cor_AlaPt_52	Binary Input, 70	Sensor error room temperature 2	-	No
Cor_AlaPt_53	Binary Input, 71	Sensor error supply air temperature	-	No
Cor_AlaPt_54	Binary Input, 72	Sensor error extra sensor	-	No
Cor_AlaPt_55	Binary Input, 73	Sensor error SAF pressure	-	No
Cor_AlaPt_56	Binary Input, 74	Sensor error EAF pressure	-	No
Cor_AlaPt_57	Binary Input, 75	Sensor error de-icing temperature	-	No
Cor_AlaPt_58	Binary Input, 76	Sensor error frost protection temperature	-	No
Cor_AlaPt_59	Binary Input, 77	Sensor error CO ₂	-	No
Cor_AlaPt_60	Binary Input, 78	Sensor error humidity room	-	No

Object name	Object ID	Description	Unit	Adjustable
Cor_AlaPt_61	Binary Input, 79	Sensor error humidity duct	-	No
Cor_AlaPt_62	Binary Input, 80	Sensor error extra controller temperature	-	No
Cor_AlaPt_63	Binary Input, 81	Sensor error external control SAF	-	No
Cor_AlaPt_64	Binary Input, 82	Sensor error external control EAF	-	No
Cor_AlaPt_65	Binary Input, 83	Sensor error pressure sensor SAF 2	-	No
Cor_AlaPt_66	Binary Input, 84	Sensor error humidity outdoor	-	No
Cor_AlaPt_77	Binary Input, 85	Malfunction of frequency converter SAF	-	No
Cor_AlaPt_78	Binary Input, 86	Malfunction of frequency converter EAF	-	No
Cor_AlaPt_79	Binary Input, 87	Communication error frequency converter SAF	-	No
Cor_AlaPt_80	Binary Input, 88	Communication error frequency converter EAF	-	No
Cor_AlaPt_81	Binary Input, 89	Communication error expansion unit 1	-	No
Cor_AlaPt_82	Binary Input, 90	Communication error expansion unit 2	-	No
Cor_AlaPt_83	Binary Input, 91	Warning frequency converter SAF	-	No
Cor_AlaPt_84	Binary Input, 92	Warning frequency converter EAF	-	No
Cor_AlaPt_85	Binary Input, 93	Output in manual mode	-	No
Cor_AlaPt_86	Binary Input, 94	Time for service	-	No
Cor_AlaPt_87	Binary Input, 95	Y4-extra sequence in manual mode	-	No
TimeGroupFanFullSpeed	Binary Input, 96	High when the time channel for normal speed is on	-	No
TimeGroupFanHalfSpeed	Binary Input, 97	High when the time channel for reduced speed is on	-	No

Binary Values

Object name	Object ID	Description	Unit	Adjustable
Cor_AlaAcknowAll	Binary Value, 0	Variable to acknowledge all alarms	-	Yes

Multistate Inputs

Object name	Object ID	Description	Unit	Adjustable
Cor_RunMode	Multistate Input, 0	Running status: 1 = Stop 2 = Starting up 3 = Starting half speed 4 = Starting full speed 5 = Alarm delay 6 = Normal operation 7 = Support control heating	-	No

		8 = Support control cooling 9 = CO ₂ control 10 = Free cooling 11 = Full speed stop 12 = Fan stop		
--	--	--	--	--

Multistate Values

Object name	Object ID	Description	Unit	Adjustable
Cor_AirUnitAutoMode	Multistate Value, 0	Manual setting of the unit: 1 = Manual off 2 = Manual reduced speed 3 = Manual normal speed 4 = Auto	-	Yes
Cor_ExternalControl	Multistate Value, 1	External control of the unit: 1 = Extended run, full speed 2 = External stop 3 = Auto 4 = External stop with support control	-	Yes



Systemair AB
Industrivägen 3
739 30 Skinnskatteberg
Phone +46 222 440 00
Fax +46 222 440 99
www.systemair.com