

1. SAFETY REGULATIONS AND INFORMATION

This manual is solely intended for the installation of a FlowGrid air inlet grille. Please read this manual carefully before starting installation work. Observe the following warnings to prevent malfunctions and risks to personal safety. Ensure that the fan's operating instructions and these installation instructions are always readily available at the installation site. They must accompany the device if it is passed on. The installation instructions may be copied for information purposes.

1.1. Qualified personnel

The device may only be transported, unpacked, operated, maintained and otherwise used by qualified, trained and authorised technical staff.

1.2. Storage

Store the device in the original packaging in a clean and dry environment that offers protection from the weather. Protect the device against environmental effects and dirt until final installation. The storage temperature must not exceed 85 °C.

2. INTENDED USE

The FlowGrid is designed exclusively for use as an air inlet grille for fans. Any other usage does not conform with the intended purpose and constitutes misuse of the device. Customer equipment must conform with the permitted stresses.

Observe the temperature range in the operation of Min -. 40° C to Max. +80° C

Improper use:

- Operating the device close to flammable materials.
- Operating the device in an explosive atmosphere.
- Operating the device in water or other liquids.

2.1. Installation



WARNING

The fan may start automatically.

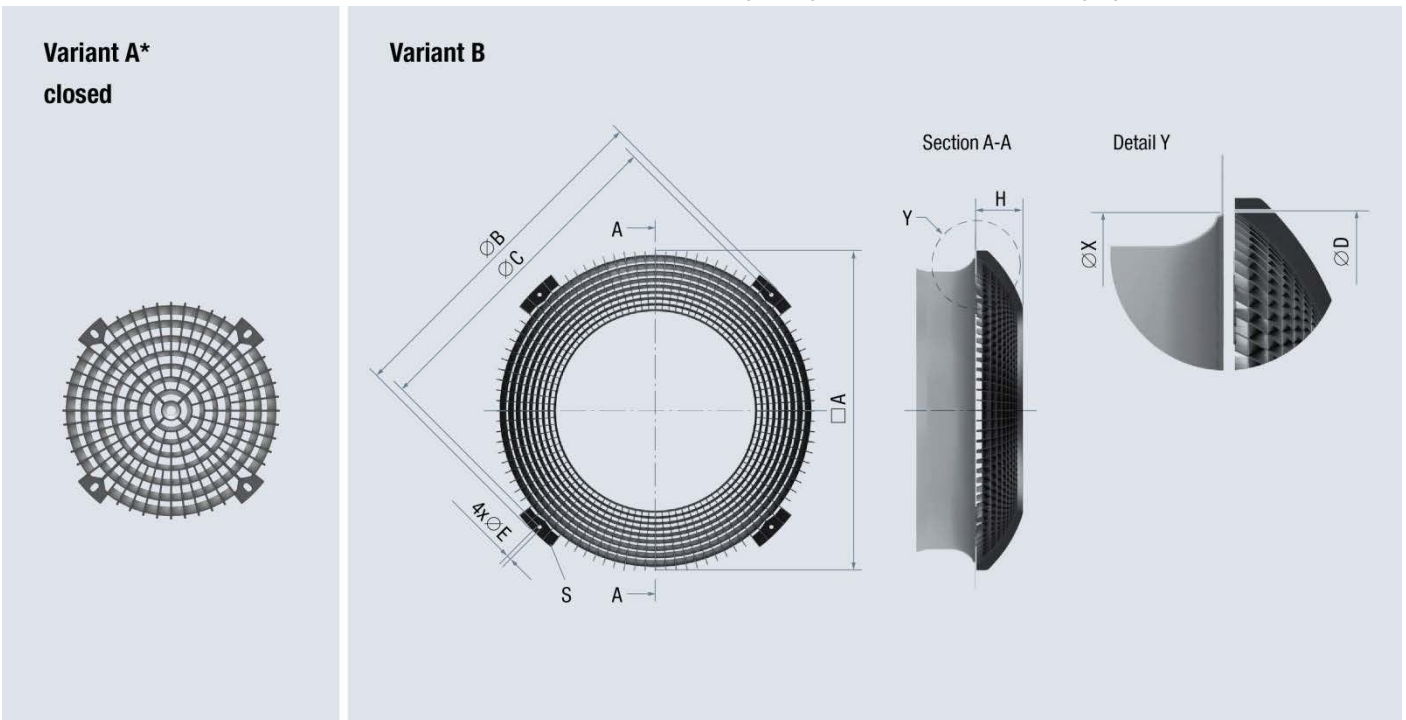
Secure the fan against automatic starting, which can lead to injuries.

Note the mounting data provided below.

Only microencapsulated screws should be used for the installation.

Only perform the installation at an ambient temperature between -20 °C and +40 °C.

Ensure that the screw-on surfaces are flat. Comply with the recommended tightening torque, otherwise the mounting lugs can break



□A	Minimum installation dimension	ØE	Bore hole diameter
ØB	Outside diameter	H	Installation height
ØC	Pitch circle diameter	S	Wall thickness of mounting lug
ØD	Reference diameter for matching with the nozzle	ØX	Nozzle diameter at bent outer end
Variant A*	Flow Grid is completely closed and acts as a guard grille		

3. MOUNTING DATA

Item no.	□A	ØB	ØC	ØD	ØE	S	H	N	ØU	Z
00190-2-2957*	-	170	155-160	150	4.5	2.0	30	2±0.5 Nm	12	69670-7-6215
								Mounting screw for plastic housing (K-type) 1±0.2 Nm	12	72163-7-6201
00250-2-2957*	-	205	193	187	4.5	2.0	38	2±0.5 Nm	12	69670-7-6215
								Mounting screw for plastic housing (K-type) 1±0.2 Nm	12	72163-7-6201
20280-2-2957	-	280	245-260	245	4.5	3.5	40	2±0.5 Nm	12	69670-7-6215
25310-2-2957	-	315	288-292	282	5.5	3.5	49	2±0.5 Nm	12	69670-7-6215
00400-2-2957	-	365	335-345	325	4.5	3.5	56	2±0.5 Nm	12	69670-7-6215
35505-2-2957	-	470	438-442	412	9	3.5	71	10±2 Nm	20	69674-7-6215
00630-2-2957	-	580	543-547	532	10	3.0	84	10±2 Nm	20	69674-7-6215
50710-2-2957	590	666	628-632	580	10	3.0	106	10±2 Nm	20	69674-7-6215
63000-2-2957	734	785	748-752	724	10	3.0	125	10±2 Nm	20	69674-7-6215
80000-2-2957	930	995	958-962	920	10	3.5	131	10±2 Nm	20	69674-7-6215
91000-2-2957	1.035	1105	1073-1077	1.025	10	3.5	161	10±2 Nm	20	69674-7-6215

	All dimensions in mm
□A	Minimum installation dimension
ØB	Outside diameter
ØC	Pitch circle diameter
ØD	Reference diameter for matching with the nozzle The reference diameter must be at least equal to the nozzle diameter at the bent outer end ($D \geq X$)
ØE	Bore hole diameter
S	Wall thickness of mounting lug
H	Installation height
N	Recommended tightening torque for attachment screws in Nm
ØU	Diameter of washer or screw head
Z	Item number of attachment screw recommended by ebm-papst
*	Variant A*: FlowGrid is completely closed and functions as guard grille
	Temperature range in the operation: Min. -40° C to Max. +80° C