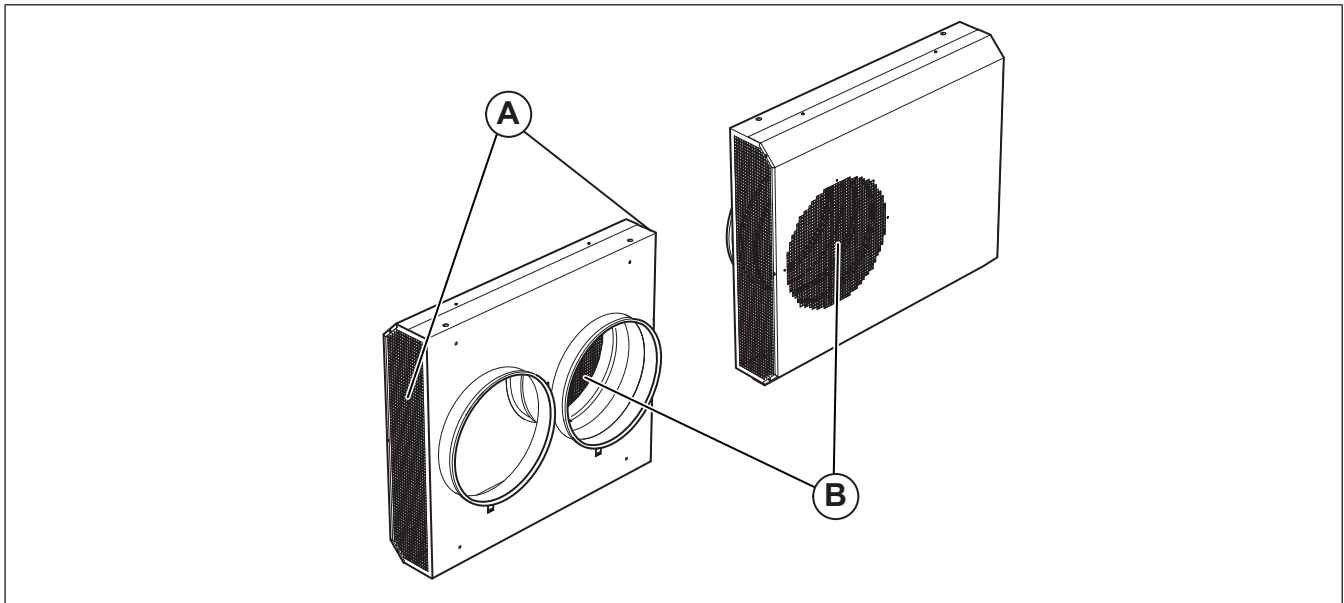


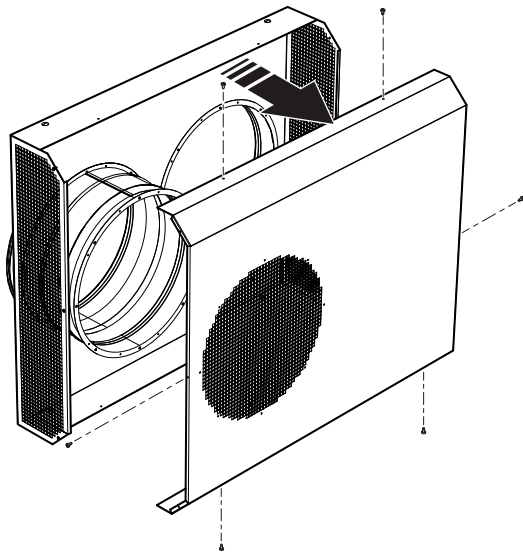
## Product overview



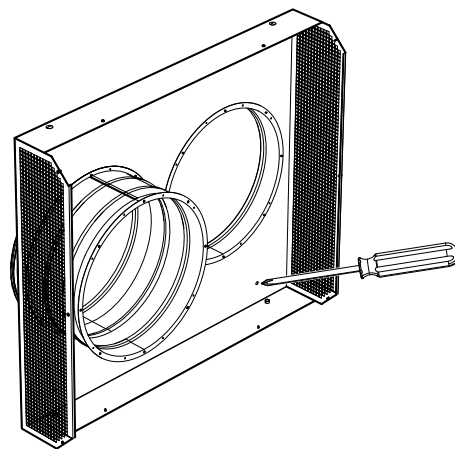
- A. Outside air intake
- B. Exhaust air

## Installation

1. Loosen the 6 screws on the cover of CVVX.



2. Attach the back plate of CVVX with 4 screws to the wall. Screws are not supplied by Systemair



3. Attach the cover with the 6 screws.

### Note:

Make sure to use screws suitable for the wall material.

### Note:

It is optional to install the CVVX with the exhaust air outlet to the right or to the left.