
Silencer for circular duct



Table of contents

1	Introduction	1
1.1	Product description	1
1.2	Intended use	1
1.3	Product overview.....	1
1.4	Name plate	1
1.5	Product liability.....	1
2	Safety	2
2.1	Safety definitions.....	2
2.2	Safety instructions	2
2.3	Personal protective equipment	2
3	Installation.....	3
3.1	To do before installation of the product	3
3.2	To install the product	3
3.3	To suspend the product.....	3
4	Technical data.....	5
4.1	Fire classes.....	5
5	Maintenance.....	5
5.1	To clean the product.....	5

1 Introduction

1.1 Product description

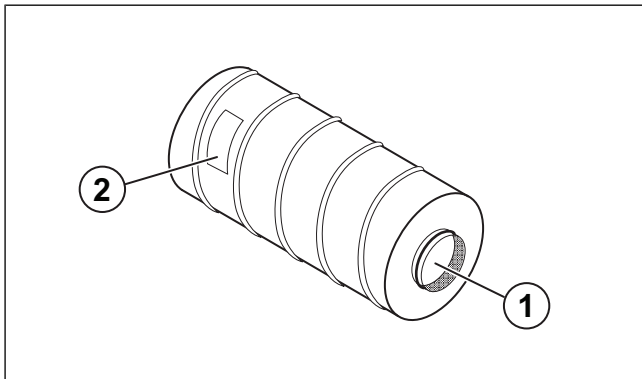
The products are silencer made from galvanized steel, inner layer of perforated metal with an intermediate layer of mineral wool insulation.

The insulation is protected to prevent fibres to enter the airstream.

1.2 Intended use

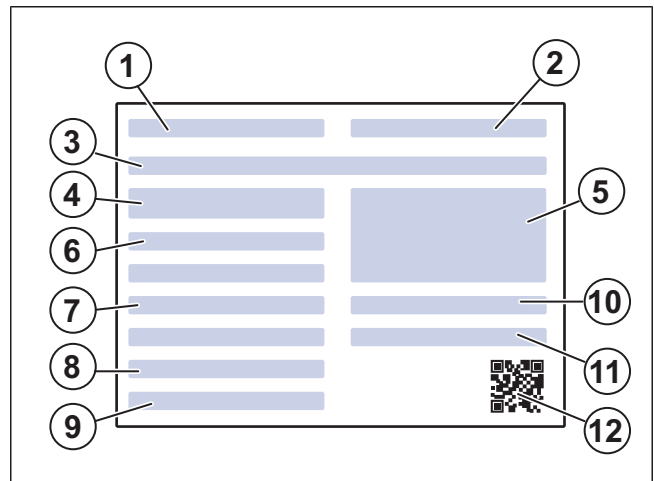
The product is used for sound reduction in different installations.

1.3 Product overview



1. Connection nipple
2. Name plate

1.4 Name plate



1. Product name
2. Article number
3. Fire safety class
4. Fire safety alternative (BBR 5:6213)
5. Safety distance
6. Evacuate person
7. Combustible material
8. Air tight class
9. Production order number
10. Accredited body
11. Controlling body
12. Scannable code ¹

1.5 Product liability

Systemair is not liable for damages that the product causes in these conditions:

- The product is incorrectly installed, operated or maintained.
- The product is repaired with parts that are not original spare parts from Systemair.
- The product is used together with accessories that are not original accessories from Systemair.

1. Use a mobile device to scan the scannable code and go to the Systemair documentation portal for more documentation and document translations.

2 Safety

2.1 Safety definitions

Warnings, cautions and notes are used to point out specially important parts of the manual.



Warning

If you do not obey these instructions, there is a risk of death or injury.



Caution

If you do not obey these instructions, there is a risk of damage to the product, other materials or the adjacent area.

Note:

Information that is necessary in a given situation.

2.2 Safety instructions



Warning

Read the warning instructions that follow before you do work on the product.

- Read this manual and make sure that you understand the instructions before you do work on the product.
- Obey local conditions and laws.
- The ventilation contractor and the operator are responsible for correct installation and intended use.
- Keep this manual at the location of the product.
- Do not install or operate the product if it is defective.
- Do not remove or disconnect safety devices.
- Make sure that you can read all warning signs and labels on the product when it is installed. Replace labels that have damage.
- Only permit approved personnel to work on the product and to be in the adjacent area during all work on the product.
- Use applicable safety devices and personal protective equipment during all work on the product.
- If the maintenance is not correctly and regularly done, there is risk of injury and damage to the product.
- Only do the maintenance as given in this manual. Speak to Systemair technical support if other servicing is necessary.
- Always use spare parts from Systemair.
- The product is not to be used by persons, including children, with reduced physical, sensory or mental capabilities, or lack of experience and knowledge, unless they have been given supervision or instruction.
- Do not allow children to play with the device.

2.3 Personal protective equipment

Use personal protective equipment during all work on the product.

- Approved eye protection
- Approved protective helmet
- Approved hearing protection
- Approved protective gloves
- Approved protective shoes
- Approved work clothing

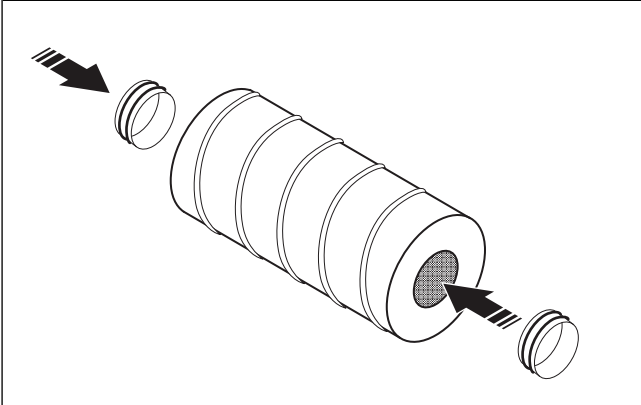
3 Installation

3.1 To do before installation of the product

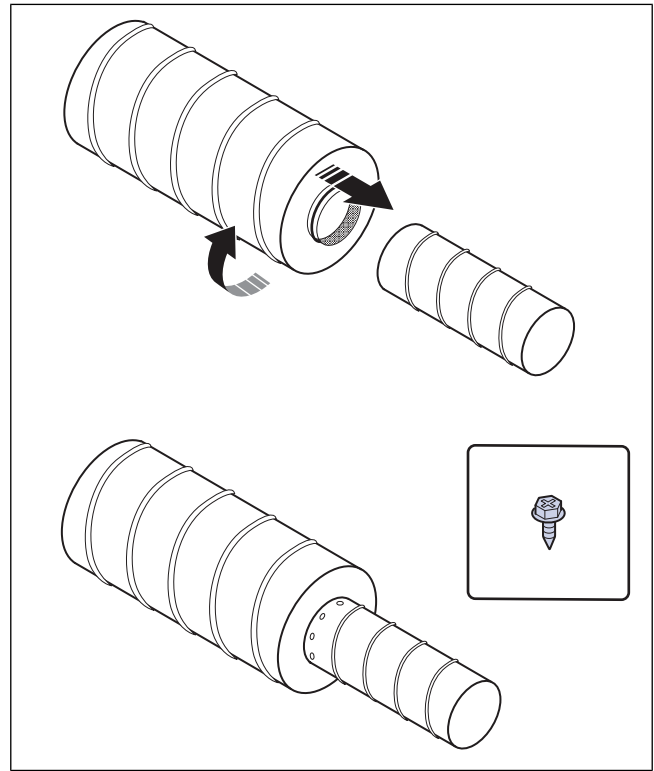
- Use installation material with fire resistance rating for the installation location.
- Examine the packaging for transportation damage and remove the packaging from the product carefully.
- Examine the product and all components for damage.
- Make sure that the dimensions of the product agrees with the expectations at the installation location.
- Make sure that the information on the name plate agrees with the operation conditions.
- Install the product in a location where there is space for commissioning, troubleshooting and maintenance.
- Make sure that the installation surface has sufficient capacity to hold the weight of the product.

3.2 To install the product

- 1 For size 400 and larger, attach the connection nipples on the silencer.

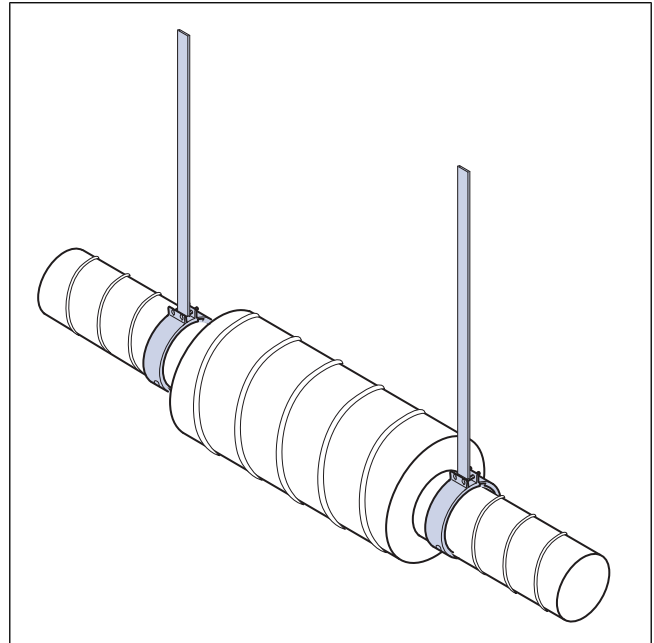


- 2 Insert the silencer edge in to the duct. Make sure that the sealing strip first flap is attached to the duct and that the flap is not twisted.
- 3 Push and lightly turn the silencer the remaining part in to the duct.
- 4 Attach the silencer in the duct with self drilling screws, 10-15 mm from the duct end. Make sure not to damage the sealing strip.
- 5 Attach the screws evenly distributed round the circumference. Use screws with enough strength and tightness.

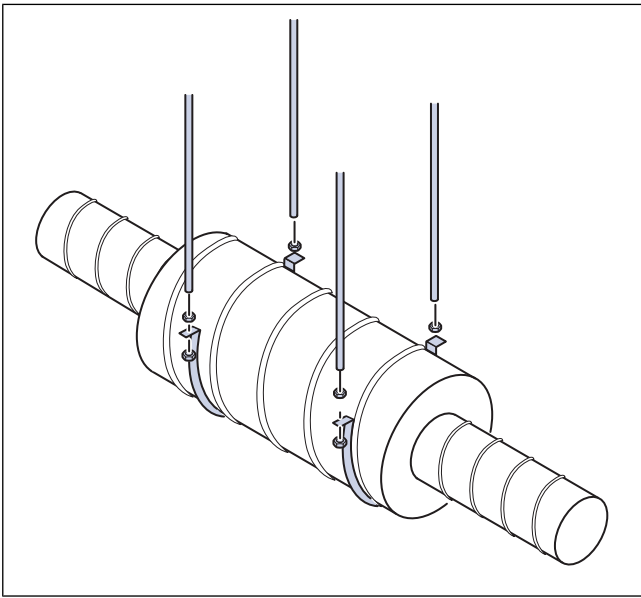


3.3 To suspend the product

- Attach the pendulum bars or wire to a mounting bracket. Install the pendulum bars or wires in a straight line and as close to the joint as possible. Make sure that the installation is stable.



Small and light weighted silencer.



Large and heavy silencer.

4 Technical data

4.1 Fire classes

Note:

If the unit of measure is not specified, the dimensions are given in millimetres.

Silencer	Insulation nominal	Diameter nominal	Length	Fire classes
LDC	50	100–315	300–900	EI 30, E 120
	100	355–500	900	EI 60, E 120
LDC-B	100	315–630	1200	EI 60, E 120

Silencer	LDC, LDC-B
Insulation thickness nominal	50–100
Diameter nominal	100–630
Alternative fire classes with protective distance	EI 120
Protective distance at the radiation intensity	
2.5 kW/m ² (evacuees)	50
10 kW/m ² (interior design material) (combustible material)	50

5 Maintenance

5.1 To clean the product

Clean the silencer with rotating nylon brushes, a vacuum cleaner or a damp cloth.

Note:

Follow the local rules and regulation regarding cleaning.



Systemair Production AB
Industrivägen 3
SE-739 30 Skinnskatteberg

+46 222 440 00
mailbox@systemair.com
www.systemair.com

© Copyright Systemair AB
All rights reserved
EOE

Systemair AB reserves the rights to alter their products without notice. This also applies to products already ordered, as long as it does not affect the previously agreed specifications.