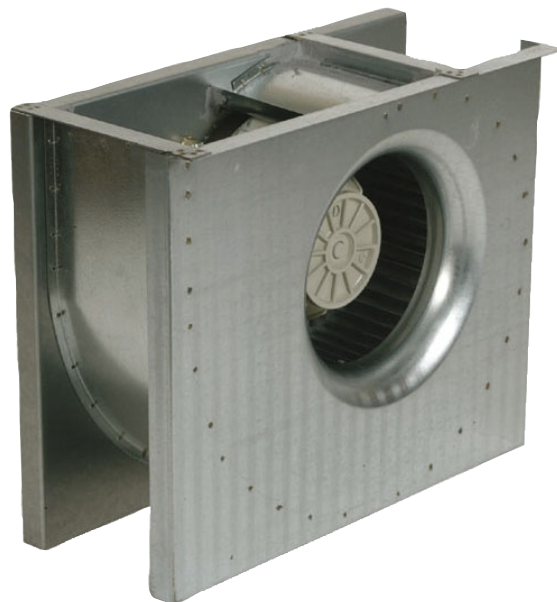


---

**CE Centrifugal fan**  
**CT Centrifugal fan**

# Table of contents

1	Introduction .....	1	12.3	Wiring diagrams .....	14
1.1	Product description .....	1	12.3.1	Wiring diagrams for AC fans .....	15
1.2	Intended use .....	1	12.3.2	Wiring diagrams for speed controller for AC motors .....	15
1.3	Document description .....	1	13	Accessory overview .....	20
1.4	Product overview CE .....	1	14	Accessory overview .....	21
1.5	Product overview .....	2	15	EU Declaration of Conformity .....	23
1.6	Name plate .....	2	16	UK Declaration of Conformity .....	24
1.6.1	Type designation .....	3			
1.7	Product liability .....	3			
2	Safety .....	3			
2.1	Safety definitions .....	3			
2.2	Safety instructions .....	3			
2.3	Personal protective equipment .....	4			
3	Transportation and storage .....	4			
4	Installation .....	5			
4.1	To do before the installation of the product .....	5			
4.2	To install the product .....	5			
4.3	To connect the ducts to CE fans .....	5			
4.4	To connect the ducts to CT fans .....	5			
5	Electrical connection .....	7			
5.1	To do before the electrical connection .....	7			
5.2	To connect the product to the power supply .....	7			
5.3	Speed controller for AC motors .....	7			
5.4	To install motor protection for AC motors .....	7			
6	Commissioning .....	7			
6.1	To do before the commissioning .....	7			
6.2	To do the commissioning .....	7			
7	Operation .....	8			
7.1	To start a product with an AC motor .....	8			
7.2	To stop the product .....	8			
7.2.1	To stop the product in an emergency .....	8			
8	Maintenance .....	9			
8.1	Maintenance schedule .....	9			
8.2	To clean the product .....	9			
8.3	Spare parts .....	9			
9	Troubleshooting .....	10			
10	Disposal .....	12			
10.1	To disassemble and discard the parts of the product .....	12			
11	Warranty .....	12			
12	Technical data .....	13			
12.1	Technical data overview .....	13			
12.2	Product dimensions .....	13			
12.2.1	Product dimensions CE fans .....	13			
12.2.2	Product dimensions CT fans .....	14			

---

# 1 Introduction

## 1.1 Product description

The product is a centrifugal duct fan with an AC motor and a casing made from galvanized steel.

The CE fan is supplied with a circular duct connection.

The CT fan is supplied with a rectangular duct connection on the outlet and a circular duct connection on the inlet.

The product is not supplied with a safety switch, external speed controller or flexible duct connections, these parts are available and recommended as accessories.

## 1.2 Intended use

The product is intended for transportation of clean air with a maximum temperature of 40–70 °C. Refer to [www.systemair](http://www.systemair).

com for the maximum temperature of transported air for the applicable motor type. The product is applicable for ambient temperatures of -25 °C to +70 °C.

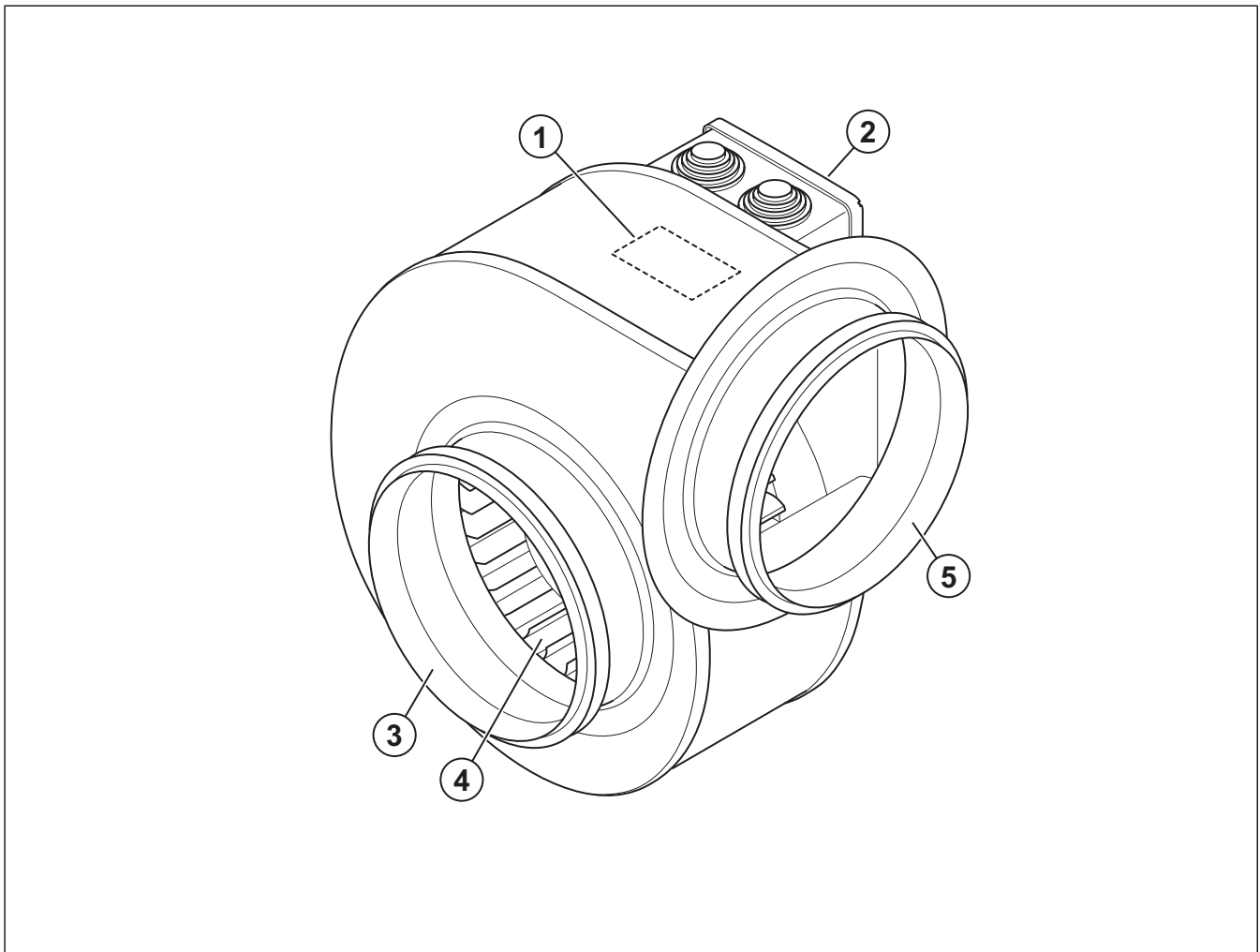
The product is not applicable for transportation of air that contains explosive, flammable or aggressive media. The product is not applicable for locations where there is a risk of explosion.

## 1.3 Document description

This document contains instructions for installation, operation and maintenance of the product. The procedures must be done by approved personnel only.

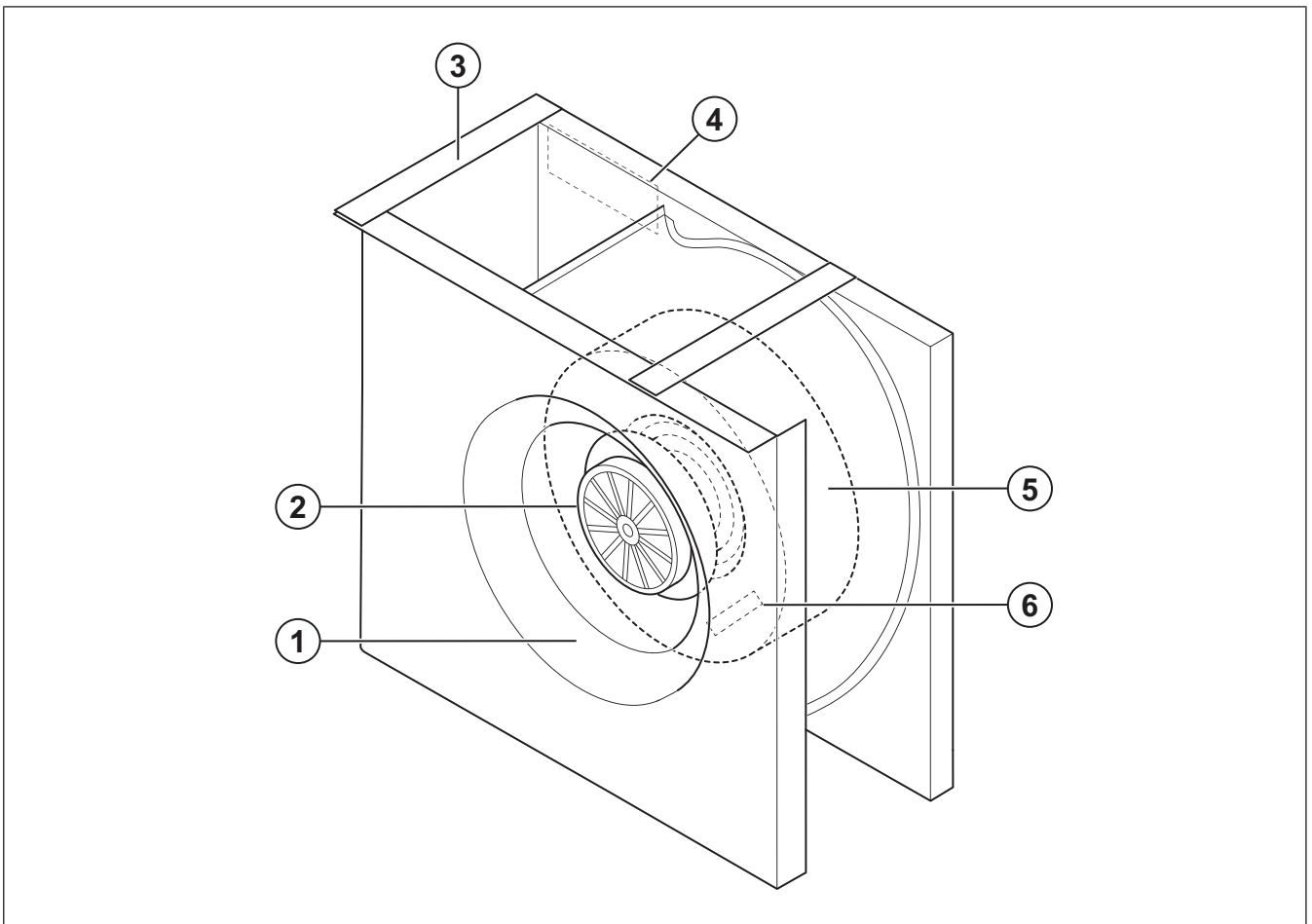
Speak to Systemair for more information on how to install the product in different installation locations.

## 1.4 Product overview CE



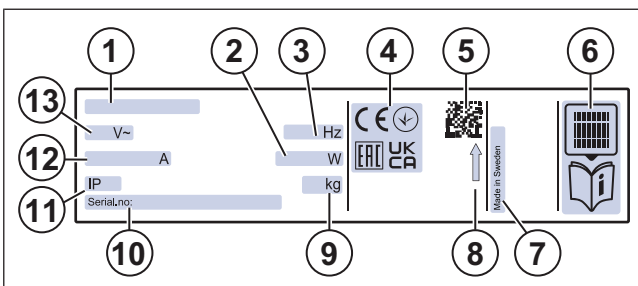
- |  |   |
|--|---|
| 1. Name plate with airflow direction arrow | 4. Motor and fan impeller (inside casing) |
| 2. Connection box                          | 5. Duct connection outlet side            |
| 3. Duct connection inlet side              |   |

## 1.5 Product overview



- |                                |   |
|--------------------------------|---|
| 1. Duct connection inlet side  | 4. Name plate with air flow direction arrow |
| 2. Motor                       | 5. Fan impeller (inside casing)             |
| 3. Duct connection outlet side | 6. Airflow direction arrow                  |

## 1.6 Name plate



1. Type designation: Product name, dimension and motor type. Refer to 1.6.1 [Type designation](#).
2. Input power, W
3. Frequency, Hz
4. Certifications
5. Scannable code <sup>1</sup>
6. Find more information about the product on the Systemair documentation portal<sup>1</sup>
7. Country of production
8. Airflow direction arrow
9. Weight, kg
10. Serial number: part number/production number/production date
11. IP class, enclosure class
12. Current, A
13. Voltage, V

### Note:

The data on the name plate applies to “standard air” that is specified in the standard ISO5801.

<sup>1</sup> Use a mobile device to scan the scannable code and go to the Systemair documentation portal for more documentation and document translations.

## 1.6.1 Type designation

<b>Product name</b>	CE	CT
<b>Dimension</b>	140 L-125	225-4
	140 M-160	250-4
	140 L-160	280-4
225-6		
<b>Motor type</b>	230 V, 1-phase	230 V, 3-phase
		400 V, 3-phase

## 1.7 Product liability


Systemair is not liable for damages that the product causes in these conditions:

- The product is incorrectly installed, operated or maintained.
- The product is repaired with parts that are not original spare parts from Systemair.
- The product is used together with accessories that are not original accessories from Systemair.
- The product is used without motor protection.


## 2 Safety

### 2.1 Safety definitions

Warnings, cautions and notes are used to point out specially important parts of the manual.




**Warning**  
If you do not obey these instructions, there is a risk of death or injury.



**Caution**  
If you do not obey these instructions, there is a risk of damage to the product, other materials or the adjacent area.

**Note:**  
Information that is necessary in a given situation.

### 2.2 Safety instructions



**Warning**  
Read the warning instructions that follow before you do work on the product.

- Read this manual and make sure that you understand the instructions before you do work on the product.
- Obey local conditions and laws.
- The ventilation contractor and the operator are responsible for correct installation and intended use.
- Keep this manual at the location of the product.
- Do not install or operate the product if it is defective.
- Do not remove or disconnect safety devices.
- Make sure that you can read all warning signs and labels on the product when it is installed. Replace labels that have damage.
- Only permit approved personnel to work on the product and to be in the adjacent area during all work on the product.
- Make sure that you know how to stop the product quickly in an emergency.
- Use applicable safety devices and personal protective equipment during all work on the product.

- Before you do work on the product, stop the product and wait until the fan impeller stops. Make sure that there is no voltage on the motor terminals.
- If the maintenance is not correctly and regularly done, there is risk of injury and damage to the product.
- Only do the maintenance as given in this manual. Speak to Systemair technical support if other servicing is necessary.
- Always use spare parts from Systemair.
- Sound levels exceeding 70 dB(A) may occur depending on model and size. Visit [www.systemair.com](http://www.systemair.com) for more detailed information about your product.
- The product is not to be used by persons, including children, with reduced physical, sensory or mental capabilities, or lack of experience and knowledge, unless they have been given supervision or instruction.
- Do not allow children to play with the device.

## 2.3 Personal protective equipment

Use personal protective equipment during all work on the product.

- Approved eye protection
- Approved protective helmet
- Approved hearing protection
- Approved protective gloves
- Approved protective shoes
- Approved work clothing

## 3 Transportation and storage



### Warning

Make sure that the product does not become damaged or wet during transportation. A damaged or wet product can cause fire or electric shock.

- Before you move the product to the installation location, examine the packaging for damages.
- Do not move the product by the cables, terminal box, fan impeller, protection grille, inlet cone or silencer.
- If lifting equipment is used, make sure that the lifting equipment can hold the weight of the product. Refer to the name plate for information. Do not lift the product by the packaging.



### Warning

Do not walk below a lifted product.

- Keep the correct side of the packaging up during transportation. Refer to the arrows on the packaging.
- Load and unload the product carefully.
- Keep the product in a dry and clean location during storage. Make sure that the ambient temperature during storage is between  $-10$  and  $+30$  °C. A stable ambient temperature prevents damage from condensation.
- Keep the product in storage for maximum 1 year.

## 4 Installation

### 4.1 To do before the installation of the product

- Make sure that you have the necessary installation accessories:
  - Refer to [13 Accessory overview](#) for an overview of the accessories.
  - If you install the product outdoors, it is necessary to install a weather protection roof.
  - To decrease vibrations transmitted from the product to the duct system, Systemair recommends to install vibration dampers, fast clamps or flexible connections.
  - If you install the product with free suction or free discharge, it is necessary to install a protection grille. Make sure that the safety distance agrees with the standard ISO 12499.
- Use installation material with fire resistance rating for the installation location.
- Examine the packaging for transportation damage and remove the packaging from the product carefully.
- Examine the product and all components for damage.
- Make sure that the motor effect and the fan performance agrees with the expectations at the installation location.
- Make sure that the information on the name plate and the motor name plate agrees with the operation conditions.
- Install the product in a location where there is space for commissioning, troubleshooting and maintenance.
- Make sure that the installation location is clean and dry, for full safety during electrical work.
- Make sure that the installation surface has sufficient capacity to hold the weight of the product.
- Refer to the airflow direction arrows on the name plate or on the product to install the product in the correct position.
- Make sure that all cable glands are tight against the cables to prevent leaks.

### 4.2 To Install the product

#### Note:

The arrow on the name plate shows the direction of the airflow.

#### Note:

All fans can be installed in any angle.

- 1 Install the product with applicable installation equipment, such as pendulum bars or wires from the ceiling, or applicable wall or floor mounting brackets.

Pendulum bars, wires and nuts or other installation equipment are not supplied by Systemair.

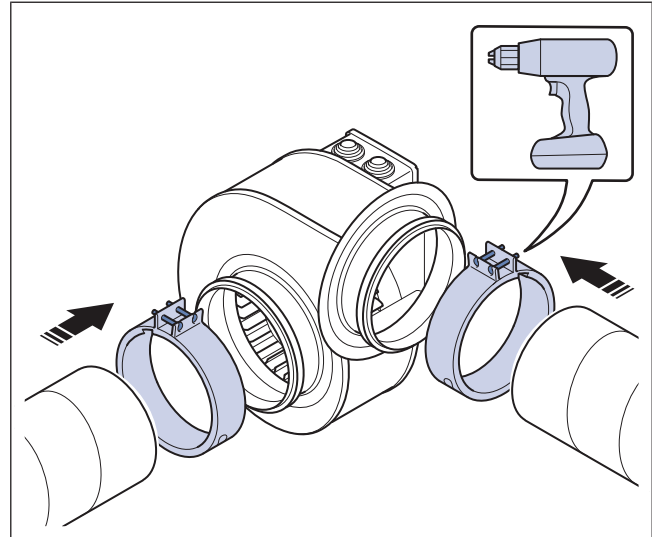
- If the product is installed on the floor, add insulation below the product to prevent unwanted noise and vibrations.
- If the product is installed near a wall, keep a distance of minimum 400 mm from the product to the wall to prevent unwanted vibrations.

### 4.3 To connect the ducts to CE fans

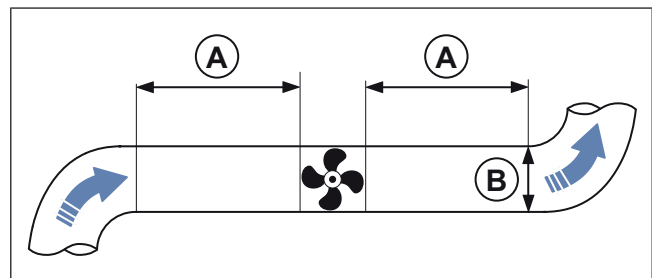
#### Note:

Systemair recommends to use flexible connections to attach the duct to the product. Flexible connections are available as accessories.

- 1 Use the fast clamps to attach the duct to the product. Systemair recommends to use FK fast clamps to attach the duct to the product. The FK fast clamps are available as an accessory.



- 2 If you install the product near a duct bend, do these steps to prevent vibrations, unwanted noise and decreased air pressure:
  - a. Measure the distance (A) between the product and the duct bend.
  - b. Make sure that the distance (A) is a minimum of 2.5 x the diameter (B) of the duct system. For circular ducts, (B) is the nominal diameter. For rectangular ducts, (B) is the hydraulic diameter.



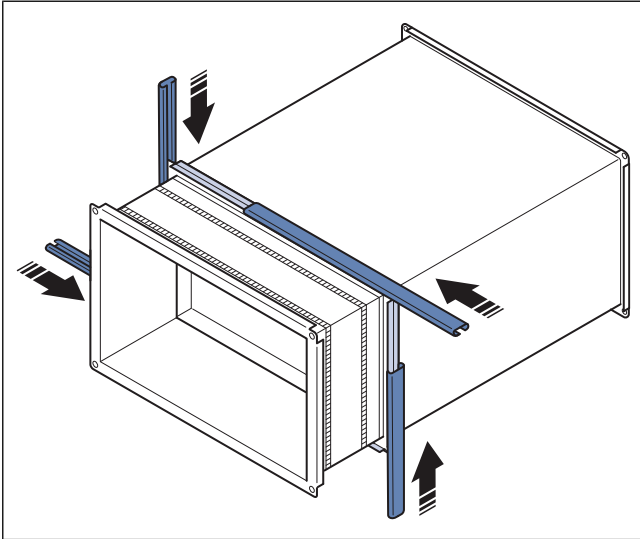
### 4.4 To connect the ducts to CT fans

#### Note:

Systemair recommends to use flexible connections to attach the duct to the product. Flexible connections are available as accessories.

- 1 Install the flexible connection USE on the outlet. Use guide rails to attach the flexible connections to the duct. Guide rails are not supplied by Systemair.

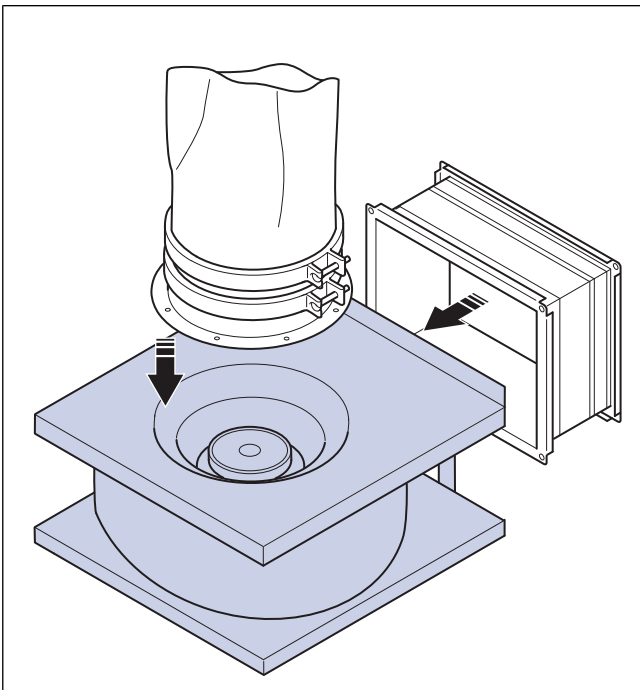
Flexible connection USE is available as an accessory.



- 2 Install a circular duct on the inlet using flexible connection ISE. Fasten the flexible connection ISE to the fan casing using self-drilling screws.

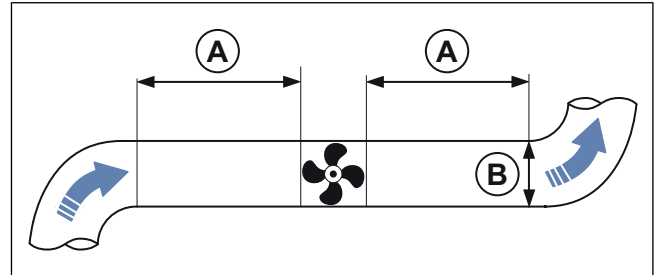
Self-drilling screws are not supplied by Systemair.

Flexible connection ISE is available as an accessory.



- 3 If you install the product near a duct bend, do these steps to prevent vibrations, unwanted noise and decreased air pressure:

- a. Measure the distance (A) between the product and the duct bend.
- b. Make sure that the distance (A) is a minimum of 2.5 x the diameter (B) of the duct system. For circular ducts, (B) is the nominal diameter. For rectangular ducts, (B) is the hydraulic diameter.





## 5 Electrical connection

### 5.1 To do before the electrical connection

- Make sure that the electrical connection agrees with the product specification on the motor name plate.
- Make sure that the environment for electrical connection is clean and dry.
- Make sure that the wiring diagram that is included with the supply of the product agrees with the terminals in the connection box.

### 5.2 To connect the product to the power supply

- Complete the electrical connection for the motor. Refer to the motor wiring diagram that is included with the product.
- Make sure that the cross section of the protective earthing is equal to or larger than the cross section of the phase conductor.
- Install a circuit breaker in the permanent electrical installation, with a contact opening of a minimum 3 mm at each pole.
- If a residual current device (RCD) is installed, make sure that it is an all-current sensitive RCD. Consider if the product has a frequency converter, uninterruptible power supply (UPS), or an EC motor. EC motors have a leakage current to earth that is  $\leq 3.5$  mA.

### 5.3 Speed controller for AC motors

#### Note:

The speed controller alternatives are different for different motor types. Make sure that your motor is compatible with the speed controller type before you use it.

The speed can be controlled by voltage reduction using a transformer. It is also possible to control the fan speed with frequency converter if the installed frequency converter has built in all-pole sine filter and shielded cables are not needed.

### 5.4 To install motor protection for AC motors

- If the product has an built in motor protection, reset by disconnecting the product from power for 60 seconds.
- If the motor has temperature monitors such as thermal contacts (TK) or thermistors lead out into the terminal box, these must always be connected in the control circuit using appropriate motor protection.
- Make sure that an overheated motor cannot start again automatically when it becomes cool.
- Install the motor cables and the temperature monitor apart.
- If the motor does not have temperature monitors, install a motor protection switch.

## 6 Commissioning



### Caution

- If strong vibrations occur during commissioning, immediately increase or decrease the fan speed until the vibrations are decreased. Continuous strong vibrations can cause damage to components.
- Do not increase the fan speed to a higher rpm value than the maximum value that is given on the name plate.

The commissioning report is found at [www.systemair.com](http://www.systemair.com).

### 6.1 To do before the commissioning

- Make sure that the installation and electrical connection are correctly done.
- Visually examine the product and accessories for damage.
- Make sure that the safety devices are correctly installed.
- Make sure that there are no blockages in the air inlet and the air outlet.
- Make sure that installation material and unwanted objects are removed from the product and the ducts.

### 6.2 To do the commissioning

- 1 Set the installed safety switch in the OFF position.
- 2 If it is possible to get access to the fan impeller, do the steps that follows:
  - a. If it is necessary, remove parts of the installation.
  - b. Turn the fan impeller by hand and make sure that it turn easily.
  - c. Record the result in the commissioning report.
- 3 Make sure to turn the product in a direction that agrees with the related arrow on the product.
  - a. Record the result in the commissioning report.
- 4 If you removed parts of the installation to get access to the fan impeller, install the removed parts again.
- 5 Set the installed safety switch in the ON position.
- 6 Start the product.
- 7 Set the minimum operation speed.
- 8 Increase the operation speed gradually to the maximum operation speed.
  - a. Examine the vibrations in the casing and the bearing areas at all speed levels.
  - b. Make sure that the vibrations agree with the specifications in ISO 14694.
  - c. Make sure that none of the speed levels cause unwanted noise in the product.
  - d. Record the result in the commissioning report.
- 9 Record the necessary data in the commissioning report.

## **7 Operation**

### **7.1 To start a product with an AC motor**

- 1 Set the installed safety switch in the ON position.
- 2 Install the external speed controller. Refer to the instruction manual for the installed speed controller.

### **7.2 To stop the product**

- 1 Set the installed speed controller in the OFF position. Refer to the instruction manual for the installed speed controller.
- 2 Set the installed safety switch in the OFF position.

#### **7.2.1 To stop the product in an emergency**

- Set the installed safety switch in the OFF position.

## 8 Maintenance



### Warning

Set the installed safety switch in the OFF position before you do the maintenance unless the instructions tell you differently. Make sure that the safety switch is not accidentally set in the ON position.

### 8.1 Maintenance schedule

The intervals are calculated from continuous operation of the product.

Maintenance task	Usual operation conditions		Unusual operation conditions. <sup>1</sup>		
	Each 6 months	Each year	Each 3 months	Each 6 months	Each year
Visually examine the product and its components for damage, corrosion and dirt.		X		X	
Examine the fan impeller for damage and imbalance.		X		X	
Clean the product and the ventilation system.	X		X		
Do a check of all fasteners and make sure that they are fully tightened.		X			X
Make sure that the product and its components are correctly operated.	X			X	
Measure the power consumption and compare the result with the information on the name plate.		X		X	
If vibration dampers are installed, make sure that they operate correctly and examine them for damage and corrosion.		X			X
Make sure that the electrical protective equipment and the mechanical protective equipment operates correctly.		X			X
Make sure that you can read the name plates of the product.		X		X	
Examine all cable connections for damage. Make sure that the cable glands are tight against the cables.		X			X
If flexible connections are installed, examine them for damage.	X			X	

1. The unusual operation conditions are classified as follows: If a stable ambient temperature is higher than 30 °C or lower than -10° C, if the temperature changes are large or if very contaminated air is transported.

### 8.2 To clean the product



### Caution

- Do not clean the product with a high-pressure washer.
- Do not clean the product with steel brushes or sharp objects.
- Do not bend the fan impeller blades.
- Be careful not to move the balance weights on the fan impeller.

- Remove dirt from the fan and the duct.
- If access to the fan impeller is possible, clean the fan impeller with a moist cloth or soft brush.

### 8.3 Spare parts

- When you send an order for spare parts, include the serial number of the product. The serial number is found on the name plate.
- For more information about spare parts, contact technical support.
- Always use spare parts from Systemair.
- To find spare parts, refer to the scannable code on the name plate.

## 9 Troubleshooting

### Note:

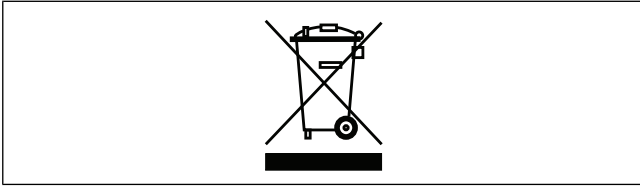
If you cannot find a solution to your problem in this section, speak to Systemair technical support.

Problem	Cause	Solution
The product does not operate smoothly.	The fan impeller is not correctly balanced.	Speak to Systemair technical support.
	There is dirt on the fan impeller.	Clean the fan impeller carefully. Refer to <a href="#">8.2 To clean the product</a> .
	The fan impeller has damages or deformations because the transported air contains aggressive media.	Speak to Systemair technical support.
	The fan impeller does not turn in the correct direction.	Make sure that the electrical connection is correctly done.
	The fan impeller has deformations because of too high temperatures.	<ul style="list-style-type: none"> <li>• Replace the fan impeller.</li> <li>• Make sure that the temperature of the transported air is not higher than the value on the name plate.</li> </ul>
	There are unusually strong vibrations in the product or the duct system.	Make sure that the product is correctly installed. Do a check of the duct system.
	The product is operated in a resonant frequency range.	Increase or decrease the fan speed until the product operates smoothly. Refer to <a href="#">6 Commissioning</a> .
The air output is not sufficient.	The fan impeller does not turn in the correct direction.	Make sure that the electrical connection is correctly done.
	The electrical connection is not correctly done.	Make sure that the electrical connection agrees with the wiring diagrams.
	The air pressure is too low because of incorrect installation.	Do the necessary changes in the duct system and installed components to increase the air pressure. Refer to <a href="#">6 Commissioning</a> .
	The spring return damper on outdoor or exhaust duct is closed or not fully open.	Adjust the spring return damper.
	There is blockage in the air inlet or the duct system.	Remove the blockage.
	The product is not applicable for the installation location.	Make sure that the product is applicable for the installation location.
	The motor power is decreased because of too high temperature in the motor.	<ul style="list-style-type: none"> <li>• Do a check of the ambient temperature.</li> <li>• Make sure that the space around the motor is sufficient to keep the temperature down.</li> </ul>
	<p><b>Note:</b></p> <p>This is applicable for EC motors only.</p>	
There is unusual noise when the product starts or operates.	There is strain in the connections of the duct system.	Loosen the connections, align the parts of the duct system correctly and tighten the connections.

Problem	Cause	Solution
Thermal contacts, PTC or resistors are released.	The fan impeller does not turn in the correct direction.	Make sure that the electrical connection is correctly done.
	A phase loss occurred.	If the motor is a 3-phase motor, make sure that no phase is missing.  <b>Note:</b> This is not applicable for EC motors.
	The motor is overheated.	<ul style="list-style-type: none"> <li>Do a check of the motor cooling impeller.</li> <li>If it is possible, measure the resistance to do a check of the motor winding.</li> </ul>
	The capacitor is not connected or not correctly connected.  <b>Note:</b> This is not applicable for EC motors or 3-phase AC motors.	Connect the capacitor correctly. Refer to the included motor wiring diagram.
	There is blockage in the motor.	Speak to Systemair technical support.
The fan speed does not get the nominal value.	Defective motor winding.	If it is possible, measure the resistance to do a check of the motor winding.
	The speed control is not correctly set.	Set the speed control correctly.
	The fan impeller cannot turn freely because of mechanical blockage.	Remove the blockage.
	Phase loss occurs.	If the motor is a 3-phase motor, make sure that no phase is missing.
The motor does not rotate.	A component in the power supply is defective.	Do a check of the power supply. Replace defective components and connect the power supply again.
	The electrical connection is not correctly done.	Make sure that the electrical connection agrees with the wiring diagrams.
	The motor protection is released because the motor is overheated.	Let the motor become cool. Reset the motor protection. Find the cause of the overheated motor.
	A phase loss occurred.	If the motor is a 3-phase motor, make sure that no phase is missing.
The electronic components or the motor is overheated.	The motor is overloaded or the ambient temperature is too high.	Let the motor become cool. Reset the motor protection. Find the cause of the overheated motor.
	The motor is overloaded.	Make sure that the product is applicable for the installation location.
	The ambient temperature is too high.	Make sure that the product is applicable for the installation location.
	The cooling of the product is not sufficient.	Make sure that the space around the motor is sufficient to keep the temperature down.

## 10 Disposal

The product follows the WEEE directive. This symbol on the product or the packaging of the product shows that this product is not domestic waste. The product must be recycled at an approved disposal location for electrical and electronic equipment.



### 10.1 To disassemble and discard the parts of the product

- 1 Disconnect and disassemble the product in the opposite sequence of electrical connection and installation.
- 2 Recycle the product parts and the packaging at an applicable disposal location.
- 3 Obey the local and national requirements for disposal.

## 11 Warranty

For warranty claims, send a written maintenance plan and the commissioning report to Systemair. The warranty is only applicable for these conditions:

- The product is correctly installed and operated.
- Motor protection is used.
- The instructions in the data sheets are obeyed.
- Maintenance instructions are obeyed.
- The product is operated for a minimum of 1 hour each month.

## 12 Technical data

### 12.1 Technical data overview

Max. temperature of transported air, °C	Refer to the data sheet in the online catalogue at <a href="http://www.systemair.com">www.systemair.com</a> .
Max. ambient temperature, °C	
Sound pressure, dB	
IP class	
Voltage, current, frequency, enclosure class, weight	Refer to the name plate. Refer to <a href="#">1.6 Name plate</a> for more information.
Motor data	Refer to the motor name plate or the technical documentation from the motor manufacturer.

### 12.2 Product dimensions

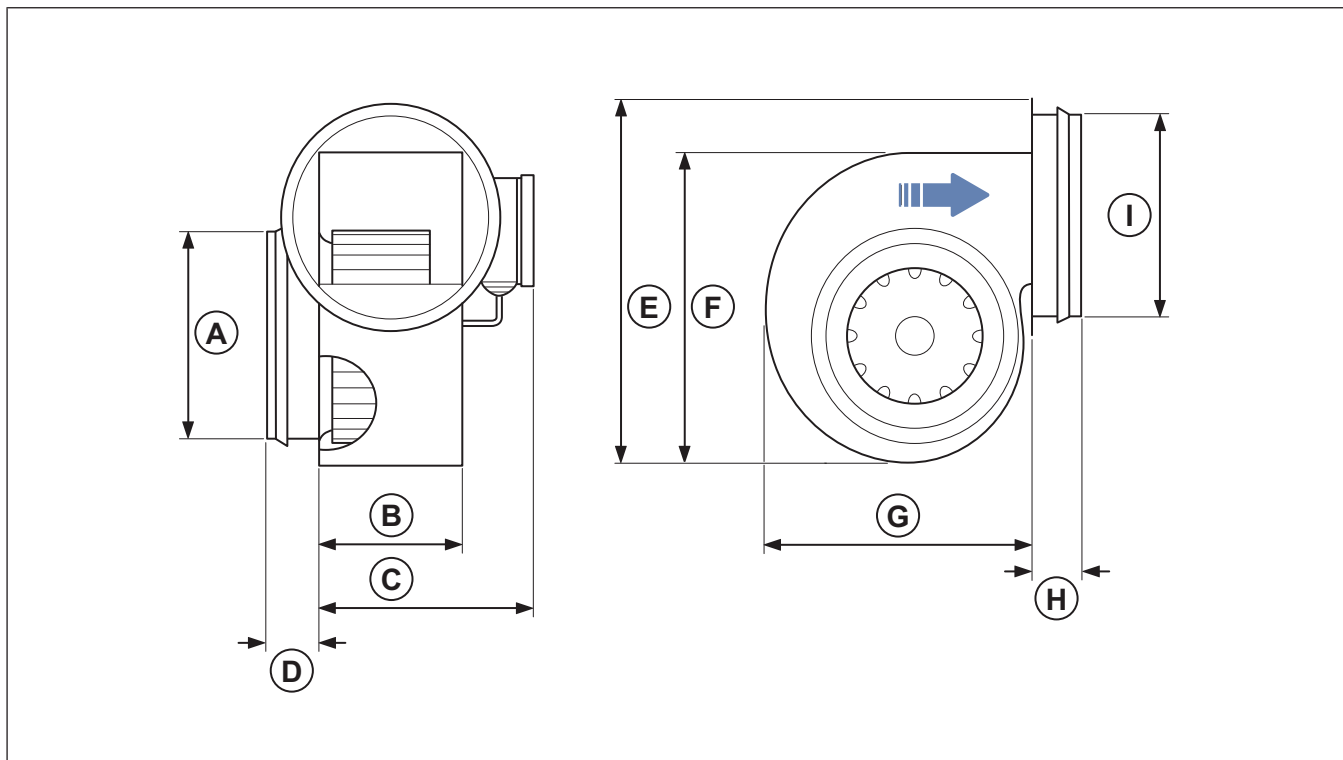
**Note:**

If the unit of measure is not specified, the dimensions are given in millimetres.

**Note:**

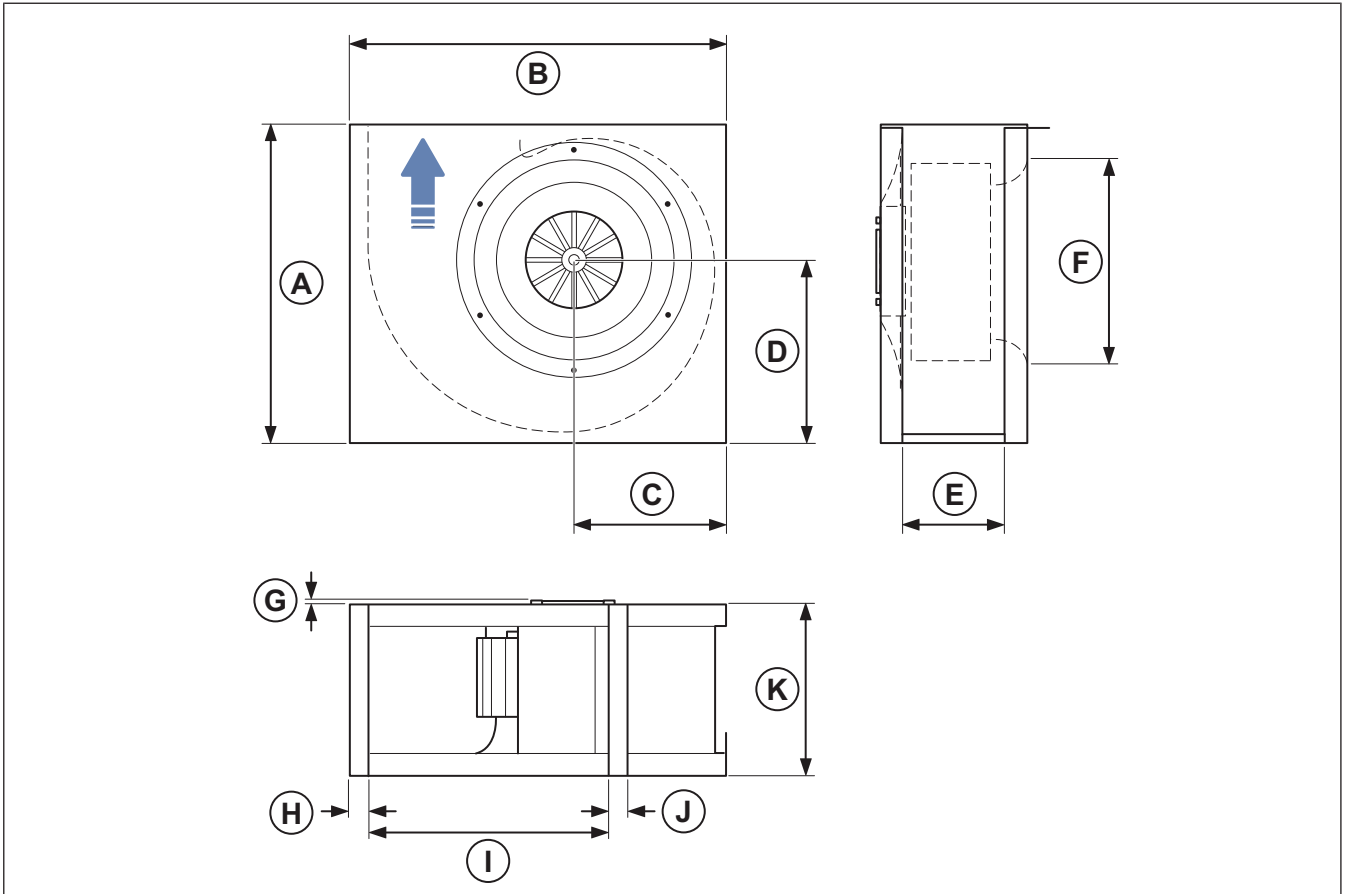
The arrow in the dimension drawing shows the direction of the airflow.

#### 12.2.1 Product dimensions CE fans



	ØA	B	C	D	E	F	G	H	ØI
CE 140 S-125, CE 140 L-125	125	96	139	39	285	246	218	40	125
CE 140 M-160, CE 140 L-160	160	96	139	39	285	246	218	40	160

## 12.2.2 Product dimensions CT fans



	A	B	C	D	E	ØF	G	H	I	J	K
CT 225-4	369	445	180	211	147	234	6	25	280	25	198
CT 250-4	412	492	198	239	167	261	8	26	315	26	218
CT 280-4	517	547	247	298	203	326	58	26	357	26	254
CT 315-4	517	615	247	298	203	326	58	26	400	26	254
CT 225-6	369	445	180	211	147	234	40	25	280	25	198

## 12.3 Wiring diagrams

Abbreviation in wiring diagram	Cable colour
RD	Red
YE	Yellow
BU	Blue
WH	White
GN	Green
BN	Brown
BK	Black
GR	Grey
GY	Green/Yellow



### 12.3.1 Wiring diagrams for AC fans

CE fans	1-phase 230 V
CE 140 S-125	
CE 140 L-125	
CE 140 L-160	
CE 140 M-160	

CT fans	
CT 225-4	
CT 250-4	
CT 280-4	
CT 315-4	
CT 225-6	
	1-phase 230 V
	3-phase 400 V

### 12.3.2 Wiring diagrams for speed controller for AC motors

**Note:**  
The selection of electrical accessories must be done in line with the technical parameters of the product.

RE	
Manual 5-step transformer.	

- A. Relay connection. There is always 230 V between ~ and N when the transformer knob is in one of the positions 1-5.
- B. Mains supply
- C. Earth
- D. Fan

<b>REE — Thyristor</b>	
REE 1 and REE 2 - Surface mounting or with flush mounting casing included.	
REE 4 - Surface mounting.	
<p><b>Note:</b></p> <p>Starting currents must be considered when you select the speed controller type. Products that are used with this speed controller must have a built-in overheating protection and must be designed for thyristor speed control.</p>	

- L: the connection with cutting function on the speed control.
- (L): the connection without cutting function.

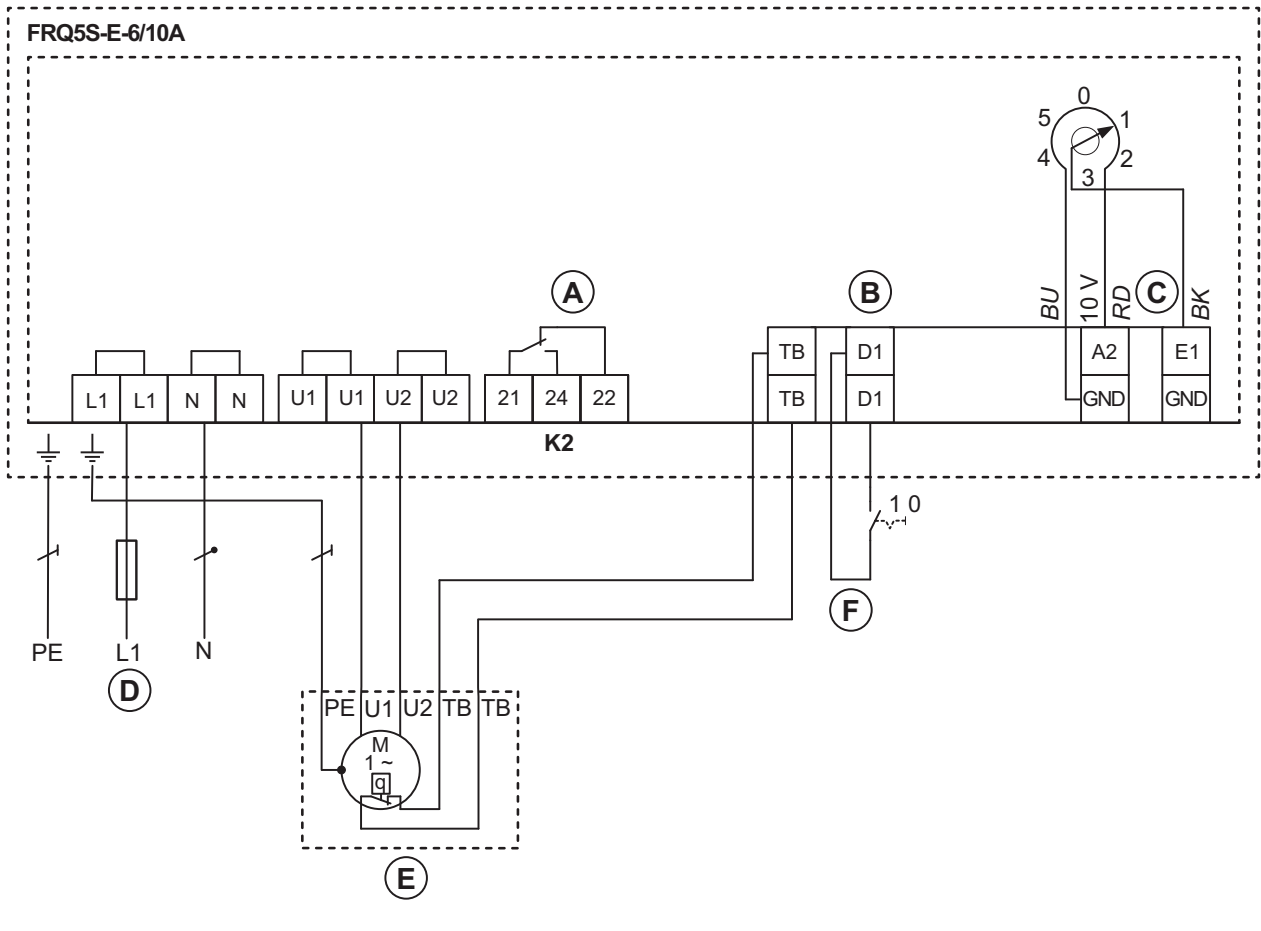
<b>REU</b>	
Manual 5-step transformer for high/low speed operation. Used together with a change-over contact, for example a timer or a thermostat.	
<ol style="list-style-type: none"> <li>1. External change-over contact</li> <li>2. Left selector switch</li> <li>3. Right selector switch</li> </ol>	<ol style="list-style-type: none"> <li>A. Fan</li> <li>B. Earth</li> <li>C. Mains supply</li> </ol>

<b>RTRE</b>	
Manual 5-step transformer with motor protection.	
	<ol style="list-style-type: none"> <li>A. Fan</li> <li>B. Earth</li> <li>C. Mains supply</li> <li>D. Mains supply</li> <li>E. Earth</li> <li>F. Earth</li> </ol>

- A. Relay connection. There is always 230 V between ~ and N when the transformer knob is in one of the positions 1–5.
- B. Mains supply
- C. Earth
- D. Fan
- E. Thermostat
- F. Motor protection. If the motor protection is not in use, Tk must be looped together.

**FRQ5S-E-6A**

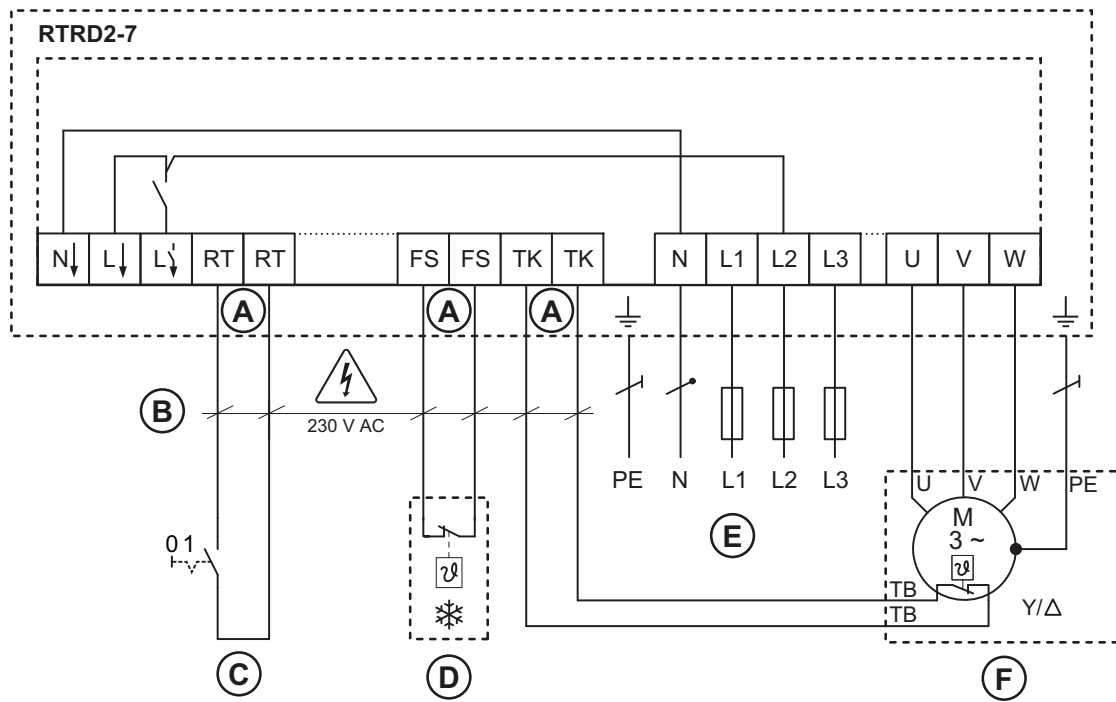
Frequency converter with built-in all-pole sine filter and 5-step switch.



- A. Contact rating, maximum AC 250 V/2 A
- B. Digital In 1
- C. Analog In 1
- D. Mains supply, 1-phase 208...277 V, 50/60 Hz
- E. Motor with internal thermal contacts
- F. OFF/ON

## RTRD

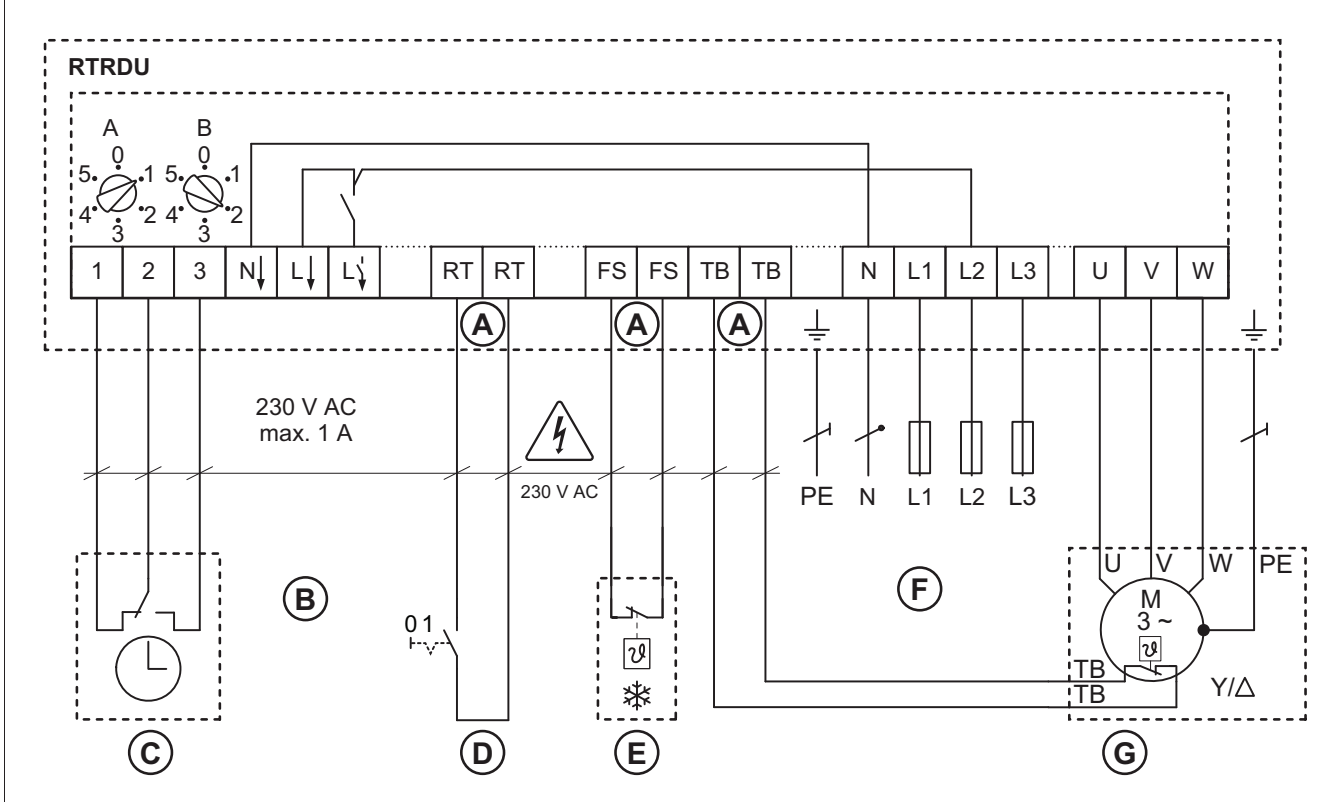
A 3-phase transformer that controls the fan speed by altering the supply voltage in five fixed steps. The steps are adjusted by using the control knob on the front of the unit.



- A. If the function is not necessary, the terminals must be bridged
- B. Contact rating, 230 V AC/maximum 1 A
- C. OFF/ON
- D. OFF/ON (only by reset)
- E. Mains supply, 3-phase 400 V 50/60 Hz
- F. 3-phase motor with internal thermal contacts

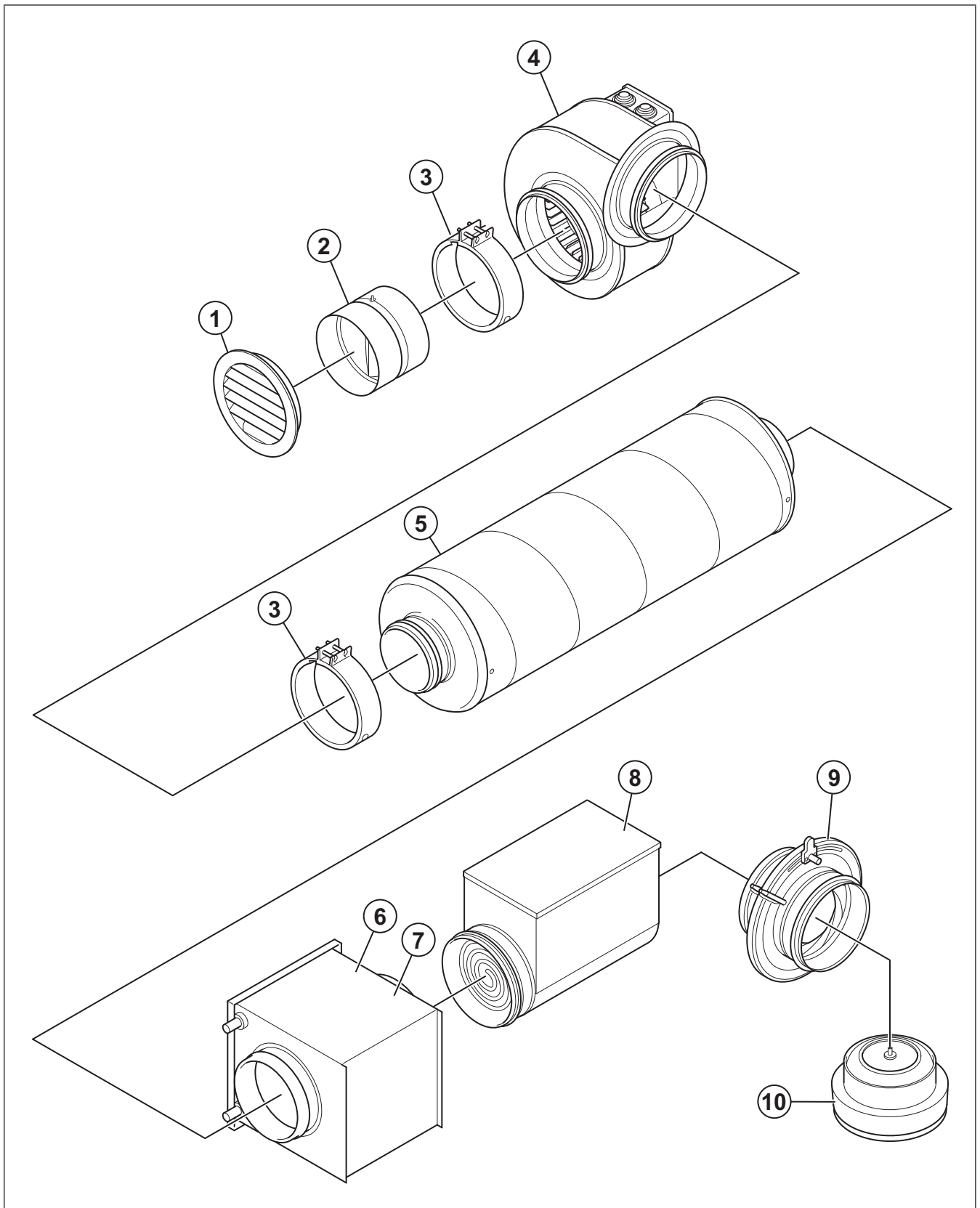
## RTRDU

Manual 5-step transformer with motor protection — a 3-phase transformer that controls the fan speed by altering the supply voltage in five fixed steps. The steps are adjusted by using the control knob on the front of the unit.



- A. If the function is not necessary, the terminals must be bridged
- B. Contact rating, 230 V AC/maximum 1 A
- C. Time switch
- D. OFF/ON
- E. OFF/ON (only by reset)
- F. Mains supply, 3-phase 400 V 50/60 Hz
- G. 3-phase motor with internal thermal contacts

## 13 Accessory overview



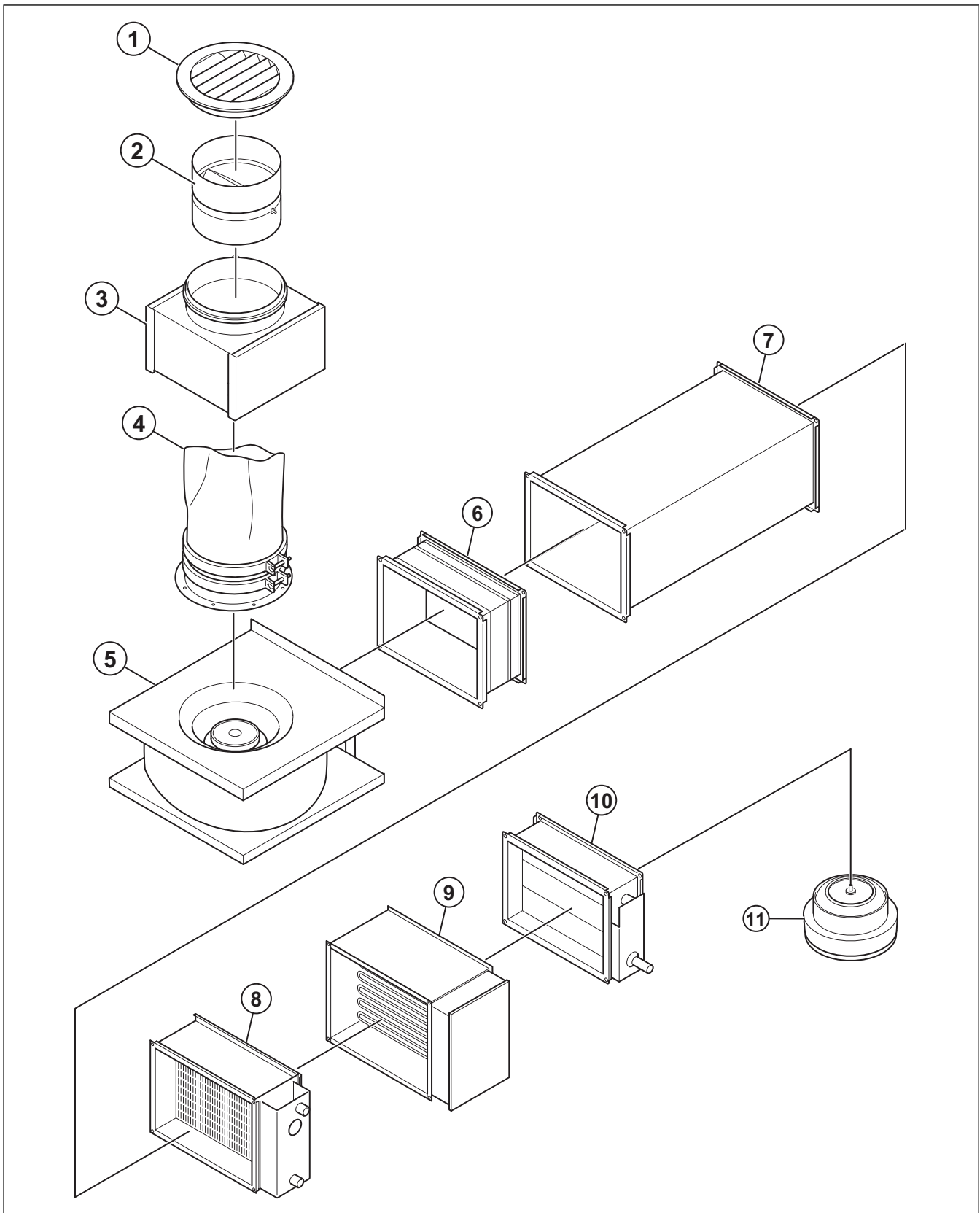
1. IGC: Wall grid
2. RSK: Back draft damper
3. FK: Fast clamp
4. Fan
5. LDC: Silencer

6. CWK: Water cooling battery
7. VBC: Water heating battery
8. CB and CBM: Electrical duct heaters
9. SPI: Iris damper
10. Balance S supply air diffuser

### Note:

The selection of accessories shown are not supplied with the product. For more information and other available accessories, refer to [www.systemair.com](http://www.systemair.com) or speak to Systemair technical support.

## 14 Accessory overview



- 1. IGK: Wall grid
- 2. RSK: Back draft damper
- 3. FGR/FFR: Filter cassette
- 4. ISE: Flexible connection
- 5. Fan
- 6. USE: Flexible connection

- 7. LDR: Silencer
- 8. VBR: Water heating battery
- 9. RB: Electrical duct heaters
- 10. SRK: Volume control damper
- 11. Balance S supply air diffuser

**Note:**

The selection of accessories shown are not supplied with the product. For more information and other available accessories, refer to [www.systemair.com](http://www.systemair.com) or speak to Systemair technical support.



# 15 EU Declaration of Conformity

We, the manufacturer

<b>Manufacturer</b>	Systemair Production AB
<b>Address</b>	Industrivägen 3 739 30 Skinnskatteberg Sweden

declare under our sole responsibility that the products

<b>Machine</b>	Centrifugal fan
<b>Type/Model</b>	CE, CT

fulfils the relevant provisions of following directives and standards

**Machinery Directive 2006/42/EC**

**EN ISO 12100:2010**

Safety of machinery – General principles for design - Risk assessment and risk reduction

**EN ISO 13857:2019**

Safety of machinery – Safety distances to prevent hazard zones being reached by upper or lower limbs

**EN 60204-1:2018**

Safety of machinery – Electrical equipment of machines – Part 1: General requirements

**EN 60335-1:2012**

Household and similar electrical appliances – Safety Part 1: General requirements.

**EN 60 335-2-80:2003**

Household and similar electrical appliances – Safety – Part 2-80: Particular requirements for fans.

**EN 50106:2008**

Safety of household and similar appliances – Particular rules for routine tests referring to appliances under the scope of EN 60 335-1.

**EN 60529:2014**

Degrees of protection provided by enclosures (IP Code).

**Directive electromagnetic compatibility (EMC) 2014/30/EU**

**EN 62233:2008**

Measurement methods for electromagnetic fields of household appliances and similar apparatus with regard to human exposure

**EN 61000-6-2:2005**

Electromagnetic compatibility (EMC) – Part 6-2: Generic standards – Immunity for industrial environments.

**RoHS Directive 2011/65/EU and amendment (EU) 2015/863**

**EN IEC 63000:2018**

Technical documentation for the assessment of electrical and electronic products with respect to the restriction of hazardous substances

**Ecodesign Directive 2009/125/EC**

327/2011 Requirements for fans above 125W

1253/2014 Requirements for ventilation units above 30W

1254/2014 Requirements for energy labelling of residential ventilation units

**EN ISO 5801:2017**

Fans – Performance testing using standardized airways.

**EN 13142:2021**

Ventilation for buildings – Components/Products for residential ventilation – required and optional performance characteristics.

Persons authorized to compile the technical file:



**Tomas Angelhag**

Head Of Engineering

This declaration relates exclusively to the machinery in the state in which it was placed on the market and excludes components which are added or operations carried out subsequently by the final user.

Skinnskatteberg, Sweden 2024-12-01



**Sofia Rask**

Managing Director

# 16 UK Declaration of Conformity

We, the manufacturer

<b>Manufacturer</b>	Systemair Production AB
<b>Address</b>	Industrivägen 3 SE-73930 Skinskatteberg Sweden

declare under our sole responsibility that the products

<b>Machine</b>	Centrifugal fan
<b>Type/Model</b>	CE, CT

fulfils the relevant provisions of following directives and standards

## Supply of Machinery (Safety) Regulations 2008

### **EN ISO 12100:2010**

Safety of machinery – General principles for design - Risk assessment and risk reduction

### **EN ISO 13857:2019**

Safety of machinery – Safety distances to prevent hazard zones being reached by upper or lower limbs

### **EN 60204-1:2018**

Safety of machinery – Electrical equipment of machines – Part 1: General requirements

### **EN 60335-1:2012**

Household and similar electrical appliances – Safety Part 1: General requirements.

### **EN 60 335-2-80:2003**

Household and similar electrical appliances – Safety – Part 2-80: Particular requirements for fans.

### **EN 50106:2008**

Safety of household and similar appliances – Particular rules for routine tests referring to appliances under the scope of EN 60 335-1.

### **EN 60529:2014**

Degrees of protection provided by enclosures (IP Code).

## Electromagnetic Compatibility Regulations 2016

### **EN 62233:2008**

Measurement methods for electromagnetic fields of household appliances and similar apparatus with regard to human exposure

### **EN 61000-6-2:2005**

Electromagnetic compatibility (EMC) – Part 6-2: Generic standards – Immunity for industrial environments.

## The Restriction of the Use of Certain Hazardous Substances in Electrical and Electronic Equipment Regulations 2012

### **EN IEC 63000:2018**

Technical documentation for the assessment of electrical and electronic products with respect to the restriction of hazardous substances

## The Ecodesign for Energy-Related Products and Energy Information (Amendment) (EU Exit) Regulations 2019

327/2011 Requirements for fans above 125W

1253/2014 Requirements for ventilation units above 30W

1254/2014 Requirements for energy labelling of residential ventilation units

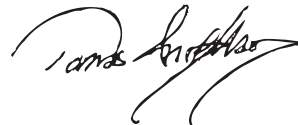
### **EN ISO 5801:2017**

Fans – Performance testing using standardized airways.

### **EN 13142:2021**

Ventilation for buildings – Components/Products for residential ventilation – required and optional performance characteristics.

Persons authorized to compile the technical file:



### **Tomas Angelhag**

Head Of Engineering

This declaration relates exclusively to the machinery in the state in which it was placed on the market and excludes components which are added or operations carried out subsequently by the final user.

Skinskatteberg, Sweden 2024-12-01



### **Sofia Rask**

Managing Director





Systemair Production AB  
Industrivägen 3  
SE-739 30 Skinnskatteberg

+46 222 440 00  
mailbox@systemair.com  
www.systemair.com

© Copyright Systemair AB  
All rights reserved  
EOE

Systemair AB reserves the rights to alter their products without notice. This also applies to products already ordered, as long as it does not affect the previously agreed specifications.