

Installation and maintenance manual  
Manuel d'installation et de maintenance  
Installations- und Wartungshandbuch  
Manuale di installazione e di manutenzione  
Manual de instalación y de mantenimiento

# H@ Wair

## 007 ÷ 022



English

Français

Deutsch

Italiano

Español



1.6  
↓  
4.7 kW



2.1  
↓  
5.85 kW

**Chilled water wall-mounted unit**

**Unité intérieure murale à eau glacée**

**Wandinnenteil Kalwasser**

**Unità murale interna acqua refrigerata**

**Unidad interior mural agua refrigerada**

**IOM HAW 01-N-3GB**

Part number / Code / Teil Nummer / Codice / Código : **3990677GB**

Supersedes / Annule et remplace / Annulliert und ersetzt /

Annulla e sostituisce / Anula y sustituye : **IOM HAW-N-2GB**





**INSTALLATION INSTRUCTION**

NOTICE D'INSTALLATION

INSTALLATIONSHANDBUCH

ISTRUZIONI INSTALLAZIONE

INSTRUCCIONES DE INSTALACIÓN

English

Français

Deutsch

Italiano

Español

# CONTENTS

<b>1. GENERAL RECOMMENDATIONS</b> .....	<b>3</b>
1.1. SAFETY DIRECTIONS .....	3
1.2. WARNING.....	3
<b>2. INSPECTION AND STORAGE</b> .....	<b>6</b>
<b>3. WARRANTY</b> .....	<b>6</b>
<b>4. UNIT DESCRIPTION</b> .....	<b>6</b>
<b>5. OPERATION RANGE</b> .....	<b>7</b>
<b>6. DIMENSIONS</b> .....	<b>7</b>
6.1. NET WEIGHT.....	7
<b>7. INSTALLATION</b> .....	<b>8</b>
7.1. UNIT LOCATION .....	8
7.1.1. BASIC REQUIREMENTS FOR INSTALLATION POSITION.....	8
7.1.2. THE UNIT INSTALLATION POSITION SELECTION.....	8
7.2. CLEARANCE .....	9
7.3. REAR PANEL INSTALLATION .....	9
7.4. INSTALL THE PIPING HOLE .....	10
<b>8. HYDRAULIC CONNECTIONS</b> .....	<b>10</b>
8.1. INSTALL THE WATER DRAIN PIPE .....	10
8.2. THE PIPING CAN BE LEAD OUT FROM LEFT, LEFT REAR.....	10
8.3. INSTALL THE CONNECTION PIPE .....	11
8.4. EXTERNAL WATER PIPE CONNECTION SKETCH .....	11
8.4.1. PIPE CONNECTION SKETCH .....	11
8.4.2. MOTORIZED VALVE.....	11
<b>9. ELECTRICAL CONNECTIONS</b> .....	<b>12</b>
9.1. WIRING DIAGRAM.....	12
9.1.1. TERMINAL BLOCK - WALL THERMOSTAT .....	12
9.1.2. INFRARED - WITHOUT VALVE .....	13
9.1.3. INFRARED - WITH VALVE .....	13
9.2. SAFETY REQUIREMENTS FOR ELECTRIC APPLIANCES .....	14
9.3. GROUND REQUIREMENTS .....	14
<b>10. OPERATION INSTRUCTIONS OF GUIDE VANE</b> .....	<b>14</b>
<b>11. CHECK AFTER INSTALLATION AND TEST OPERATION</b> .....	<b>15</b>
<b>12. INSTALLATION AND MAINTENANCE OF HEALTHY FILTER</b> .....	<b>15</b>
12.1. INSTALLATION .....	15
12.2. CLEANING AND MAINTENANCE.....	16
12.3. SERVICE LIFE.....	16
<b>13. CLEAN AND CARE</b> .....	<b>16</b>
13.1. CLEAN THE FRONT PANEL .....	16
13.2. CLEAN THE AIR FILTER .....	16
13.3. CLEAN AND CARE .....	17
13.3.1. CHECK BEFORE USE .....	17
13.3.2. MAINTAINANCE .....	17
<b>14. IN CASE OF WARRANTY - MATERIAL RETURN PROCEDURE</b> .....	<b>17</b>
<b>15. ORDERING SERVICE AND SPARE PARTS ORDER</b> .....	<b>17</b>
<b>16. TROUBLE SHOOTING</b> .....	<b>18</b>



## POWER SUPPLY MUST BE SWITCHED OFF BEFORE STARTING WORK IN THE ELECTRIC CONTROL BOX

### 1. GENERAL RECOMMENDATIONS

The purpose of this Manual is to provide users with instructions for installing, commissioning, using and maintaining the units.

It does not contain the complete description of all the maintenance operations guaranteeing the unit's long life and reliability. Only the services of a qualified technician can guarantee the unit's safe operation over a long service life.

Please read the following safety precautions very carefully before installing the unit.

#### 1.1. SAFETY DIRECTIONS

Follow the safety rules in forces when you are working on your appliance.

The installation, commissioning, use and maintenance of these units should be performed by qualified personnel having a good knowledge of standards and local regulations, as well as experience of this type of equipment.

This appliance has not been designed for use by persons (including children) with reduced physical, sensorial or mental faculties or by persons without any experience or knowledge of heating systems, unless they act under the safety and supervision of a responsible person or have received prior training concerning the use of the appliance.

Children should be supervised to ensure that they do not play with the appliance.

The unit should be handled using lifting and handling equipment appropriate to the unit's size and weight.

Any wiring produced on site must comply with the corresponding national electrical regulations.

Make sure that the power supply and its frequency are adapted to the required electric current of operation, taking into account specific conditions of the location and the current required for any other appliance connected to the same circuit.

The unit must be EARTHED to avoid any risks caused by insulation defects.

It is forbidden to start any work on the electrical components if water or high humidity is present on the installation site.

#### 1.2. WARNING

Cutoff power supply before starting to work on the appliance.

When making the hydraulic connections, ensure that no impurities are introduced into the pipe work.

**The manufacturer declines any responsibility and the warranty becomes void if these instructions are not respected.**

If you meet a problem, please call the Technical Department of your area.

If possible, assemble the compulsory or optional accessories before placing the appliance on its final location. (see instructions provided with each accessory).

The information contained in these Instructions are subject to modification without advance notice.



This symbol stands for items that should be forbidden.



This symbol stands for the items that should be followed.



Earth: The ground is connected!

If not, please ask the qualified personnel to install. Furthermore, don't connect each wire to the gas pipe, water pipe, drainage pipe or any other improper places.



Be sure to pull out the power plug when not using the air conditioner for a long time.

Otherwise, the accumulated dust may cause fire or electric shock.



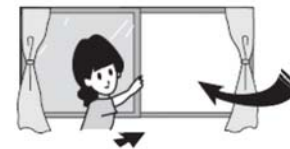
When cleaning the air conditioner, please turn off and also unplug it.

Otherwise it would cause electricity shock or injury.



If the supply cord is damaged, it must be replaced by the manufacturer or its service agent or a similarly qualified person in order to avoid a hazard.

Don't leave windows and doors open for a long time while operating the air conditioner. It can decrease the air conditioning capacity.



Don't block the air intake or outlet vents of both the units.

It can decrease the air conditioning capacity or cause a malfunction.

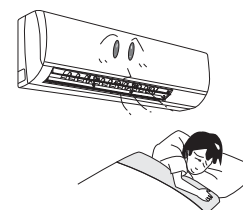


Keep combustible spray away from the units by more than 1 m.

It can cause a fire or explosion.

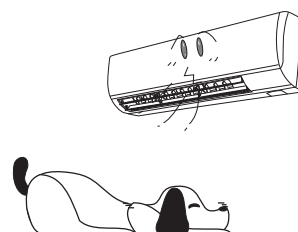


Don't apply the cold wind to the body for along time.



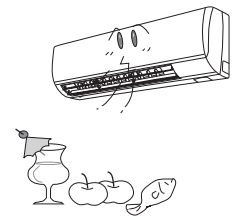
Don't blow the wind to animals and plants directly.

It can cause a bad influence to them.

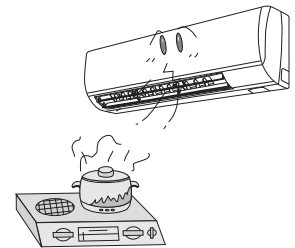




Don't use the air conditioner for other purposes, such as drying clothes, preserving foods, etc.



Don't place a space heater near the air conditioner.  
Or CO toxics is may occur for incomplete burning.



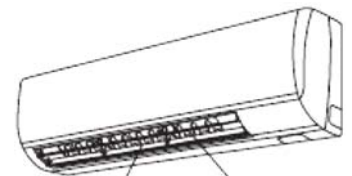
Splashing water on the air conditioner can cause an electric shock and malfunction.



Select the most appropriate temperature.  
It can preclude the electricity wasted.



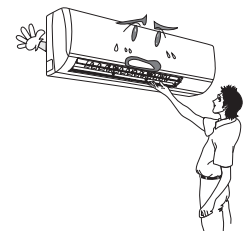
The airflow direction can be adjusted appropriately. At operating, adjust the vertical airflow direction by adjusting the louvers of upward/downward direction. And then, hold two ends of left and right louver to adjust the horizontal air-flow.



Louver of left/ right direction    Louver of upward/ downward direction



Don't insert your hands or stick into the air intake or outlet vents.  
Otherwise it will cause accident.



## 2. INSPECTION AND STORAGE

At the time of receiving the equipment carefully cross check all the elements against the shipping documents in order to ensure that all the crates and boxes have been received. Inspect all the units for any visible or hidden damage.

**In the event of shipping damage, write precise details of the damage on the shipper's delivery note and send immediately a registered letter to the shipper within 48 hours, clearly stating the damage caused. Forward a copy of this letter to the manufacturer or his representative.**

Never store or transport the unit upside down. It must be stored indoors, completely protected from rain, snow etc. The unit must not be damaged by changes in the weather (high and low temperatures). Excessively high temperatures (above 60 °C) can harm certain plastic materials and cause permanent damage. Moreover, the performance of certain electrical or electronic components can be impaired.

## 3. WARRANTY

The appliances are delivered fully assembled, factory tested and ready to operate.

Any modification to the units without the manufacturer's prior approval, shall automatically render the warranty null and void.

The following conditions must be respected in order to maintain the validity of the warranty:

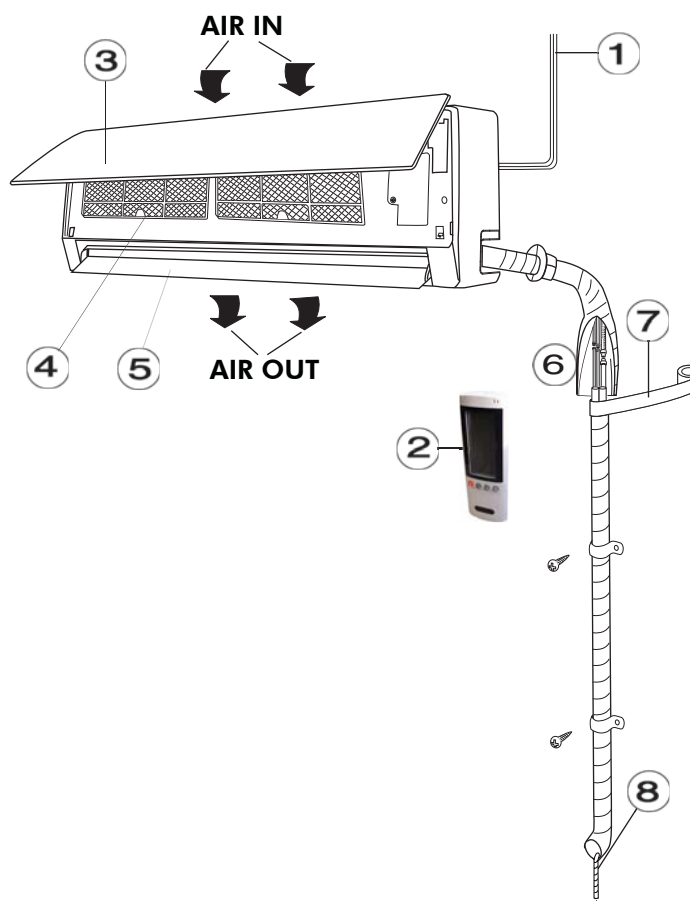
- Commissioning shall be performed by specialised technicians from technical services approved by the manufacturer.
- Maintenance shall be performed by technicians trained for this purpose.
- Only Original Equipment spare parts shall be used.
- All the operations listed in the present manual shall be performed within the required time limits.



**THE WARRANTY SHALL BE NULL AND VOID IN THE EVENT OF NON-COMPLIANCE WITH ANY OF THE ABOVE CONDITIONS.**

## 4. UNIT DESCRIPTION

1. power cable
2. remote control (option)
3. front panel
4. filter
5. guide louver
6. wall pipe
7. bind tape
8. drain pipe

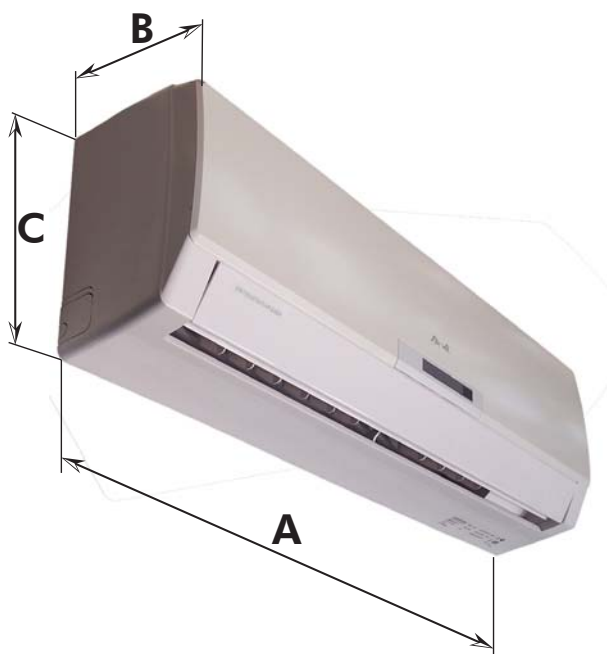




## 5. OPERATION RANGE

OPERATING LIMITS	
Maximum water-side pressure	1600 kPa
Minimum entering water temperature	5°C
Maximum entering water temperature	60°C
Minimum air inlet temperature	5°C
Maximum air inlet temperature	40°C
Power supply	220~240 V/1ph/50Hz

## 6. DIMENSIONS



		007	009	018	022
A	mm	845	845	940	940
B	mm	180	180	200	200
C	mm	275	275	298	298

### 6.1. NET WEIGHT

		007	009	018	022
Net weight	kg	11	11	13	13

## 7. INSTALLATION



1. The unit installation work must be done by qualified personnel according to the local rules and this manual.
2. The unit should not be installed in a bathroom, a laundry, a sauna or a swimming-pool.

### 7.1. UNIT LOCATION

#### 7.1.1. BASIC REQUIREMENTS FOR INSTALLATION POSITION

Installation in the following places may cause malfunction. If it is unavoidable, please contact the technical centre.

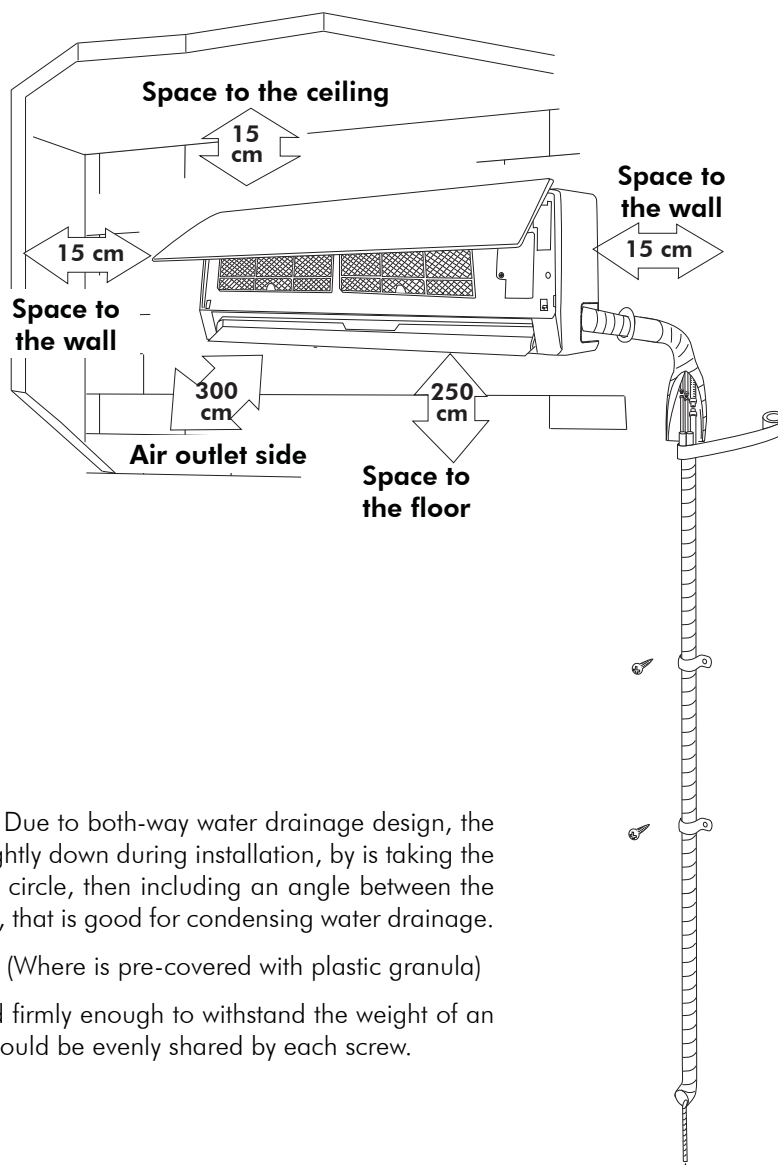
1. Place where strong heat sources, vapors, flammable gas or volatile object are emitted.
2. Place where high-frequency waves are generated by radio equipment, welders and medical equipment.
3. Place where a lot of salinities such as seaside exists.
4. Place where the oil (machine oil) is contained in the air.
5. Place where a sulfured gas such as the hot spring zones is generated.
6. Other place with special application.

#### 7.1.2. THE UNIT INSTALLATION POSITION SELECTION

1. The air inlet and outlet vent should be far from the obstruction, make sure that the air can be blown through the whole room.
2. Select a position where the condensing water can be easily drained out.
3. Select a location where the children can not reach.
4. Select a place strong enough to withstand the full weight and vibration of the unit (will not increase the noise).
5. Be sure to leave enough space to allow access for maintenance. The height of the installed location should be 250cm or more from the floor.
6. Select a place about 1m or more away from TV set or any other electric appliances.
7. Select a place where the filter can be easily taken out.
8. Make sure that the unit installation is according to installation dimension diagram requirements.
9. Do not use the unit in the immediate surroundings of a laundry a bath a shower or a swimming pool.

### 7.2. CLEARANCE

Dimensions of the clearance necessary for correct installation of the appliance including the minimum allowable distances to adjacent structure.

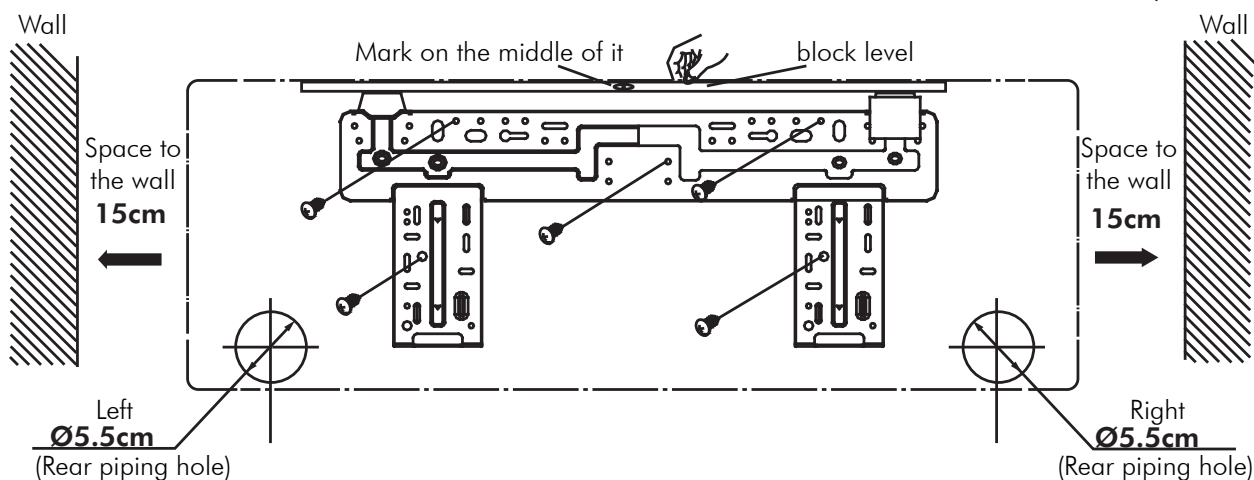


### 7.3. REAR PANEL INSTALLATION

Always mount the rear panel horizontally. Due to both-way water drainage design, the outlet of water tray should be adjusted slightly down during installation, by taking the outlet of the water tray as the center of a circle, then including an angle between the evaporator and level should be 0 or more, that is good for condensing water drainage.

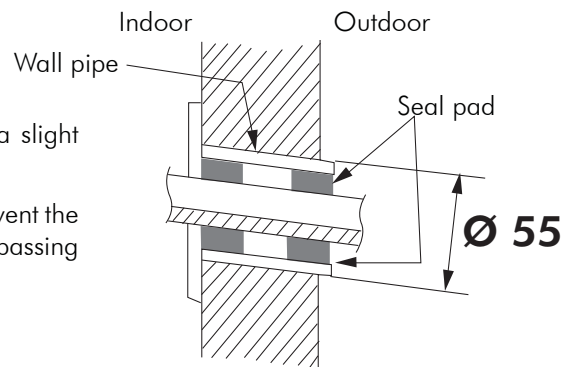
Fix the rear panel on the wall with screws. (Where is pre-covered with plastic granula)

Be sure that the rear panel has been fixed firmly enough to withstand the weight of an adult of 60kg, further more, the weight should be evenly shared by each screw.



## 7.4. INSTALL THE PIPING HOLE

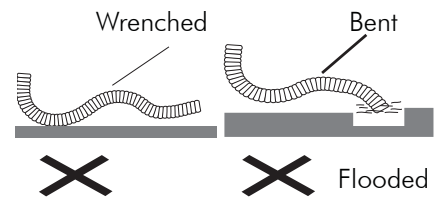
1. Make the piping hole (Ø55) in the wall with a slight downward slant to the outdoor side.
2. Insert the piping-hole sleeve into the hole to prevent the connection piping from being damaged when passing through the hole.



## 8. HYDRAULIC CONNECTIONS

### 8.1. INSTALL THE WATER DRAIN PIPE

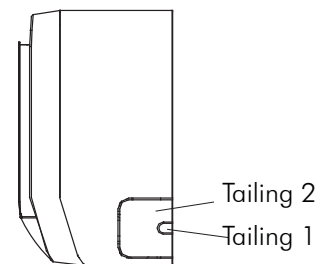
1. For good draining, the drain hose should be placed at a downward slant.
2. Do not wrench or bend the drain hose or flood its end by water.
3. Wrap with insulation materials when the long is drainage hose passing through indoor.



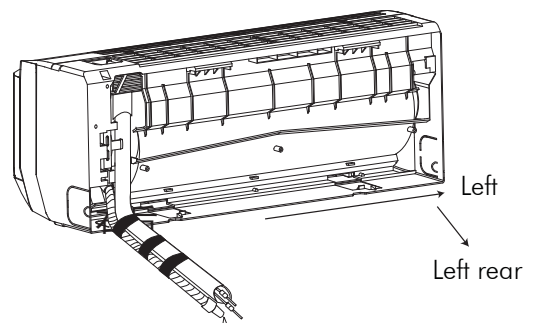
### 8.2. THE PIPING CAN BE LEAD OUT FROM LEFT, LEFT REAR

When routing the piping and wiring from the left side of the unit, cutting off the tailings from the chassis is necessary.

- Cut off the tailings 1 when routing the wiring only;
- Cut off the tailings 1 and tailings 2 when routing both the wiring and piping.

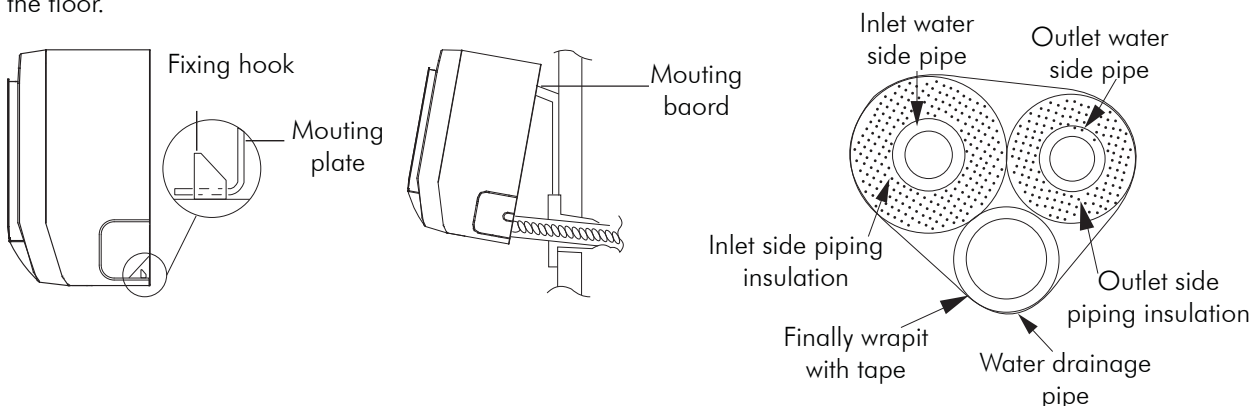


Take out the piping from body case, wrap the piping electric wire, water pipe with tape and pull them through the piping hole.



Hang the mounting slots of the indoor unit on the upper tabs of the rear panel and check if it is firm enough.

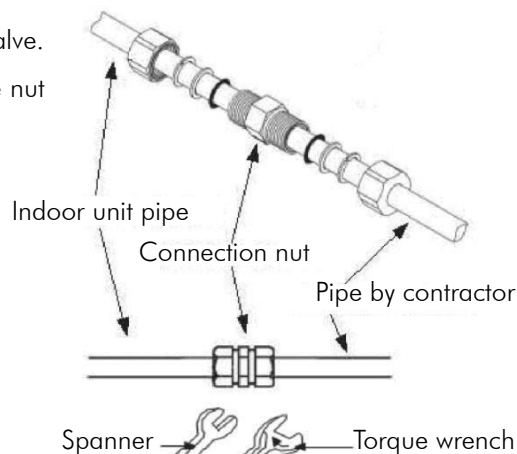
The height of the installed location should be 2.5m or more from the floor.



### 8.3. INSTALL THE CONNECTION PIPE

1. Align the center of the piping flare with the relevant valve.
2. Screw in the flare nut by hand and then tighten the nut with spanner and torque wrench:

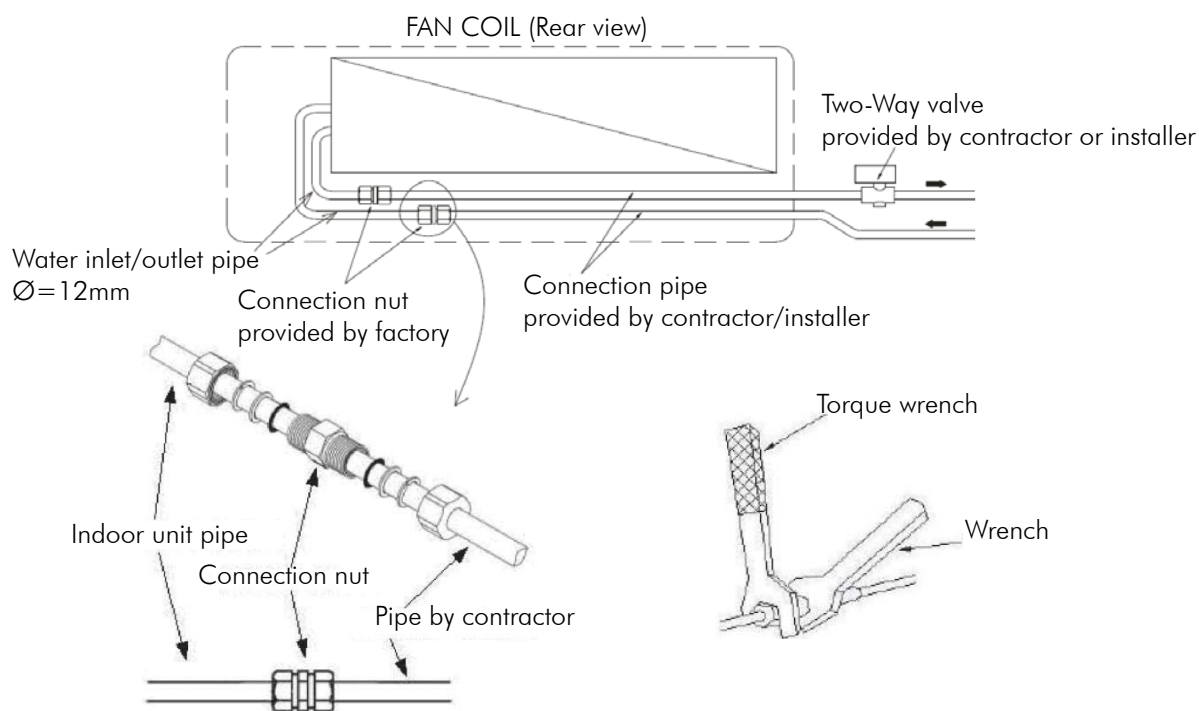
HEX NUT DIAMETER	TIGHTENING TORQUE
6	15-20 Nm
9.52	31-35 Nm
12	50-55 Nm
16	60-65 Nm
19	70-75 Nm



Firstly connect the connection pipe to the unit, then to the outside unit; pay attention to the piping bending, do not damage the connection pipe; the joint nut couldn't tighten too much, otherwise it may cause leakage.

### 8.4. EXTERNAL WATER PIPE CONNECTION SKETCH

#### 8.4.1. PIPE CONNECTION SKETCH



#### 8.4.2. MOTORIZED VALVE

All units must be equipped with a motorized valve because of the following main reasons

1. There would be a water flood risk for some units without motorized valves in the event that they stop under the cooling conditions
2. Under the cooling and heating conditions, energy loss would happen to the chilled water and hot water.

#### **Note**

- The pipe must be wrapped by heat insulation material to prevent condensing water drips.
- It is prohibited to bind directly the water valve wire and sponge up with the copper tube, as there would be probably a short circuit or even electric leakage. The right way is letting the water valve wire go through the pipe sleeve and then binding the sponge and pipe sleeve.
- It is prohibited to put the valve core upside down.

## 9. ELECTRICAL CONNECTIONS

### WARNING



**Before carrying out any work on the equipment, make sure that the electrical power supply is disconnected and that there is no possibility of the unit being started inadvertently. Non-compliance with the above instructions can lead to injury or death by electrocution.**

1. The appliance shall be installed in accordance with national wiring regulations.
2. Power Line Size:  $3 \times 1.0\text{mm}^2$ .
3. The wiring and pipe connection for the fan coils should be done only by the professionals!
4. An all-pole disconnection switch having a contact separation of at least 3mm in all poles should be connected in fixed wiring.

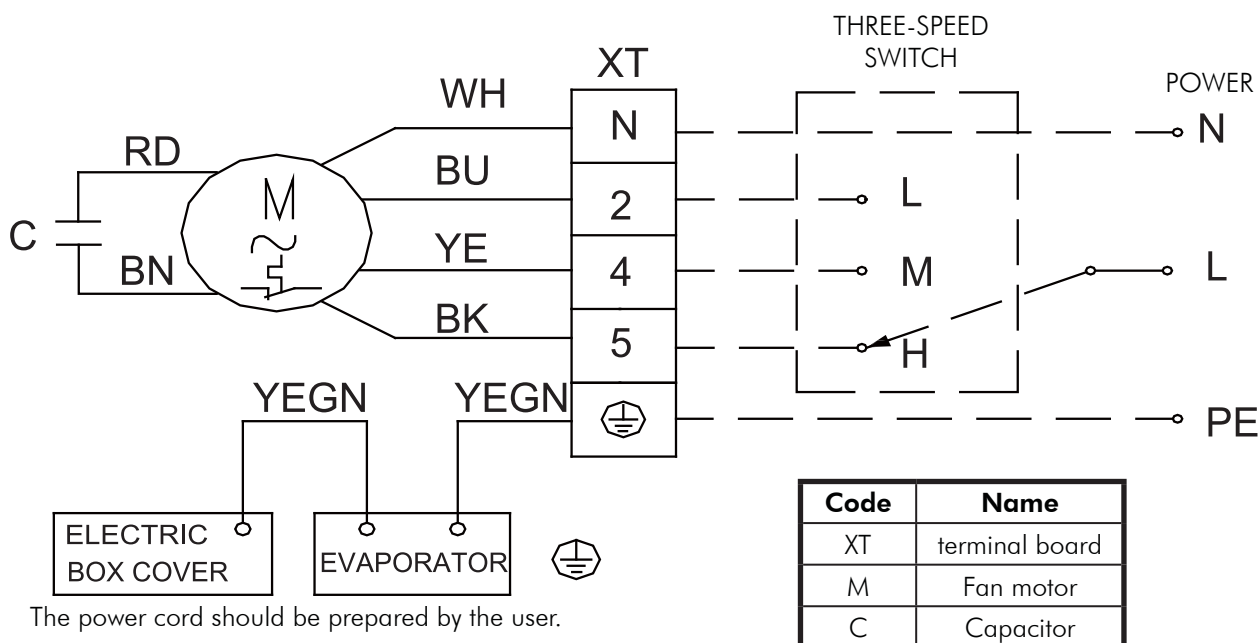
Once the wiring diagram covered in the instruction manual differs with that stuck to the cover of the electric box, please always give priority to the latter.

When connecting the electric wire if the wire length is not enough, please contact with the authorized service shop to buy a exclusive electric wire that is long enough and the joint on the wire are not allowed.

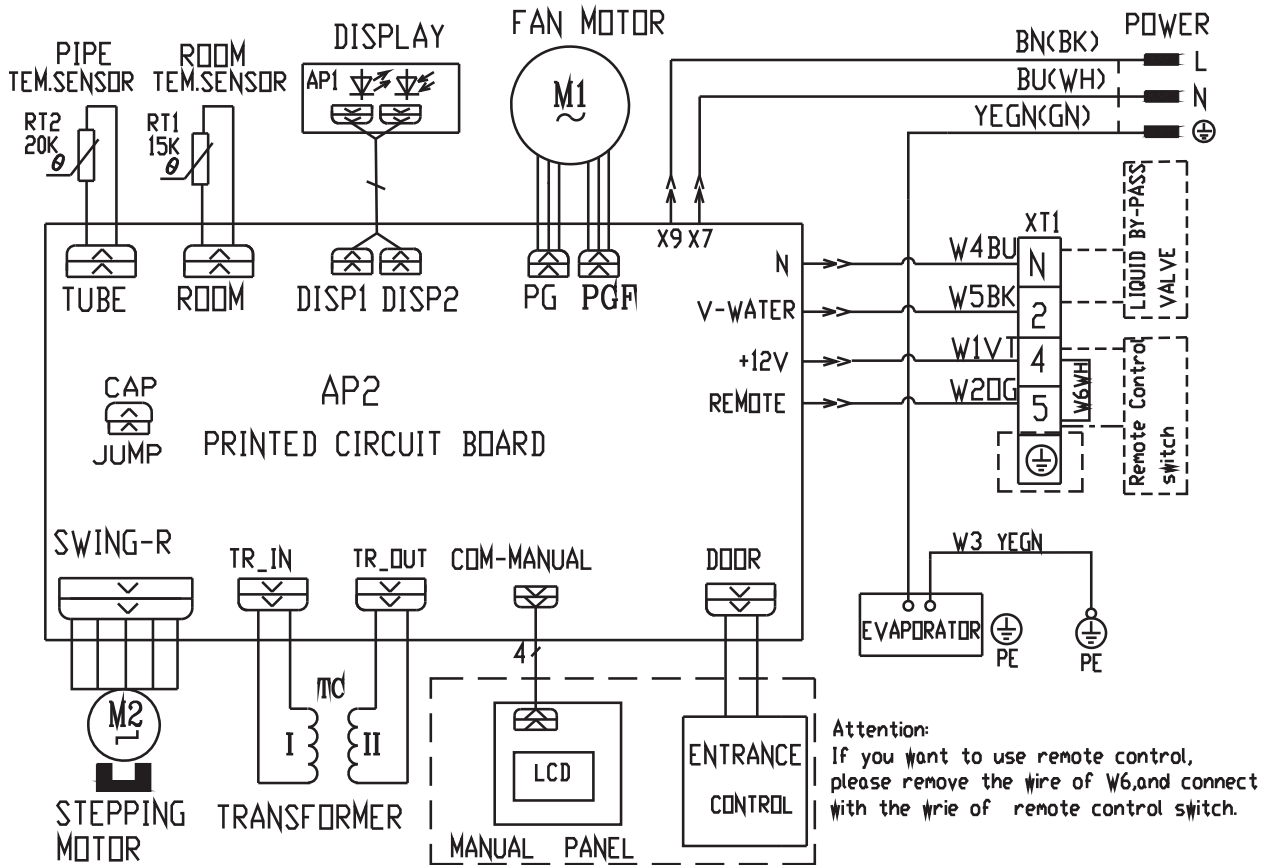
- The electric wiring must be correctly connected, wrong connection may cause spare parts malfunction.
- Tighten the terminal screw in order to prevent loose.
- After tighten the screw, slight pull the wire and confirm whether is it firm or not.
- If the earth wire is wrong connection, that may cause electric shock.

### 9.1. WIRING DIAGRAM

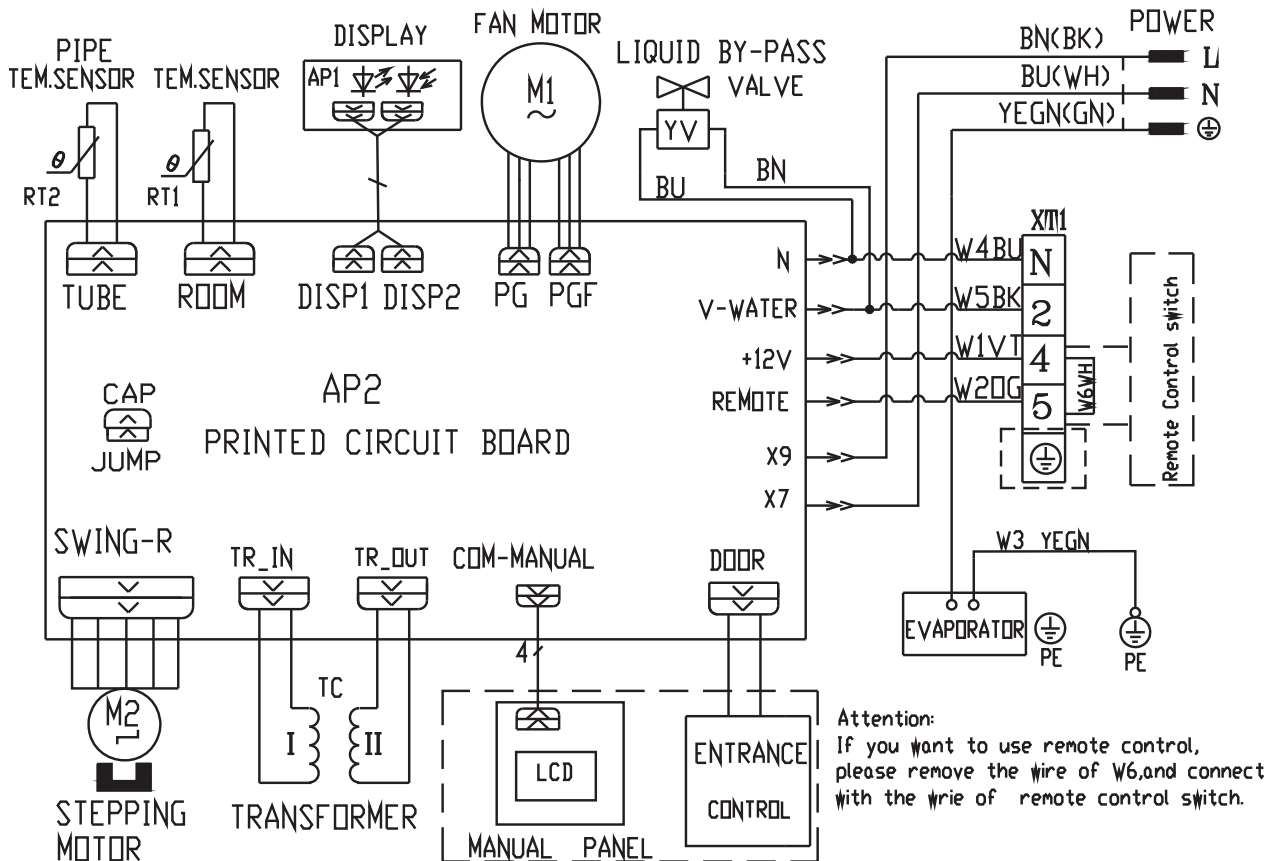
#### 9.1.1. TERMINAL BLOCK - WALL THERMOSTAT



9.1.2. INFRARED - WITHOUT VALVE



9.1.3. INFRARED - WITH VALVE



## 9.2. SAFETY REQUIREMENTS FOR ELECTRIC APPLIANCES

1. The power supply be used the rated voltage and AC exclusive circuit, the power cable diameter should be satisfied.
2. Don't drag the power cable.
3. It should be reliably earthed, and it should be connected to the special earth device, the installation work should be operated by the professional.  
The air switch must have the functions of magnetic tripping and heat tripping, in order to protect the short circuit and overloading.
4. The min. distance from the unit and combustive surface is 1.5m.
5. The appliance shall be installed in accordance with notional wiring regulations.
6. An all-pole disconnection switch having a contact separation of at least 3mm in all poles should be connected in fixed wiring.

### Note:

- Check line , neutral anrd earth connections.

## 9.3. GROUND REQUIREMENTS

1. Air conditioner is type I electric appliance, thus please do conduct reliable grounding measure.
2. The yellow-green two-color wire in air conditioner is ground wire and cannot be used for other purpose. Cut off and fixed by screw as grounded is not permissible, otherwise is would cause serious damage.
3. The earth resistance should follow the local code.
4. The power source must offer reliable grounding terminal. Make sure not to connect the ground wire with the following:
  - ✓ Tap water pipe.
  - ✓ Gas pipe.
  - ✓ Contamination pipe.
  - ✓ Other places that professional personnel consider unreliable.
5. The type and rated values of fuse is justified according to the silk print on the fuse or PCB.

## 10. OPERATION INSTRUCTIONS OF GUIDE VANE

Prior to operating the air conditioner, the guide vane should be adjusted with its opening angle among the yellow area at the right side of the air supply outlet. After the air conditioner is turned off, please close the guide vane.

### Notes:

1. Do not insert your fingers into the air supply outlet when manually adjusting the guide vane.
2. Condensate drops would be generated when the opening angle of the guide vane is too small.
3. Much noise would be generated when the opening angle of the guide vane is too large.



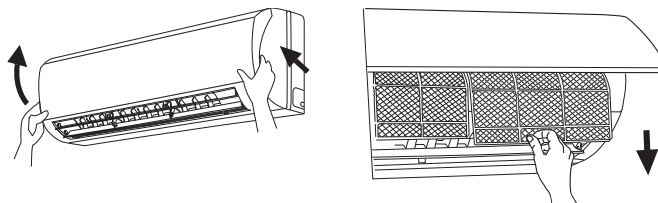
## 11. CHECK AFTER INSTALLATION AND TEST OPERATION

Items to be checked	Possible malfunction
Has the unit been fixed firmly?	The unit may drop, shake or emit noise.
Have you done the water leakage test?	It may cause insufficient cooling (heating) capacity.
Is heat insulation sufficient?	It may cause condensation and dripping.
Is water drainage well positioned?	It may cause condensation and dripping.
Is the voltage in accordance with the rated voltage marked on the nameplate?	It may cause electric malfunction or damage the part.
Is the electric wiring and piping connection installed correctly and securely?	It may cause electric malfunction or damage the part.
Has the unit been connected to a secure earth connection?	It may cause electrical leakage.
Is the power cord specified?	It may cause electric malfunction or damage the part.
Is the inlet and outlet covered?	It may cause insufficient cooling(heating)capacity.

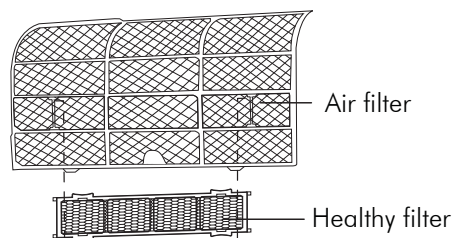
## 12. INSTALLATION AND MAINTENANCE OF HEALTHY FILTER

### 12.1. INSTALLATION

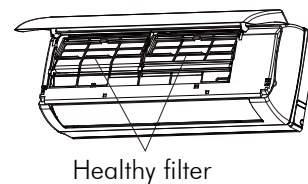
Forcibly pull the panel for a specific angle from the two ends of the front panel according to the arrow direction. Then pull the air filter downwards to remove it.



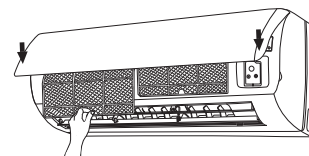
Mount the healthy filter onto the air filter



If the air filter cannot be installed, please mount the healthy filter on the front case.



Mount the air filter properly along the arrow direction, and then close the panel cover.



## 12.2. CLEANING AND MAINTENANCE

Take out the healthy filter before cleaning and reinstall it after cleaning according to the installation instruction. Pay special attention that silver ion filter can't be cleaned with water, while active carbon, photocatalyst, low temperature conversion (LTC) catalyst, formaldehyde eliminator, catechin or mite killing filter can, but can't with brush or hard things. Dry it in the shade or sun after cleaning, but not by wiping.

## 12.3. SERVICE LIFE

1. The healthy filter commonly has its usage lifetime for one year under normal condition. As for silver ion filter, it is invalid when its surface becomes black (green).
2. This supplementary instruction is provided for reference to the unit with healthy filter. If the graphics provided herein is different from the physical goods, the latter one shall prevail. The quantity of healthy filters shall be based on the actual delivery.

## 13. CLEAN AND CARE



### CAUTION

Turn power off and pull out the power plug before cleaning air conditioner, or it may cause electric shock.

Never sprinkle water on the unit for cleaning because it can cause an electric shock.

Volatile liquid (e.g. thinner or gasoline) will damage the air conditioner. (So wipe the units with a dry soft cloth, or a cloth slightly moistened with water or cleanser.)

### 13.1. CLEAN THE FRONT PANEL

When cleaning the front panel, please dip the cloth into the water temperature of 45°C below, then to dry the cloth and wipe the dirty part.

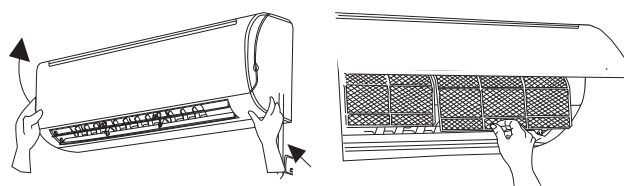
### 13.2. CLEAN THE AIR FILTER

#### RECOMMENDED ONCE EVERY THREE MONTHS

If dust is much more around the air conditioner, the air filters should be cleaned many times. After taking off the filter, don't touch the fin of indoor unit, in order to avoid hurt your fingers.

#### Take down the air filter

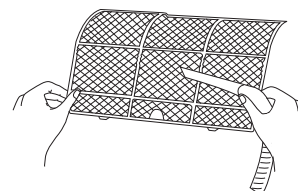
At the slot of surface panel to open an angle, pull the air filter downward and take it out



#### Clean the air filter

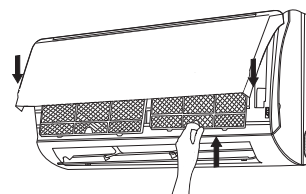
To clean the dust adhering to the filters, you can either use a vacuum cleaner, or wash them with warm water the water with the neutral detergent should below 45°C degree, and dry it in the shade.

Note: Never use water above 45 to clean, or it can cause deformation or discoloration. Never parch it by fire, or can cause a fire or deformation.



#### Insert the air filter

Reinsert the filters along the direction of arrowhead, and then to cover the cover and clasp it.



### 13.3. CLEAN AND CARE

#### 13.3.1. CHECK BEFORE USE

1. Be sure that nothing obstructs the air outlet and intake vents.
2. Check that the earth wire is properly connected.

#### 13.3.2. MAINTAINANCE

1. Turn main power off.
2. Clean the filter and the unit body.

#### Take care

It is not the manufacturer's policy to make recommendations in terms of water treatment (please contact a specialised water treatment company).

However, given the critical nature of this subject, particular care should be taken to ensure that, if treatment is required, it works effectively.

Using untreated or unsuitable water leads to excessive clogging inside the coil tubes (earth and mud deposits, corrosion, etc.) with major consequences on the thermal efficiency of the unit and irreversible damage to the equipment.

The manufacturer and its representative decline all responsibility in the event of untreated or incorrectly treated water being used.

## 14. IN CASE OF WARRANTY - MATERIAL RETURN PROCEDURE

Material must not be returned without permission of our After Sales Department.

To return the material, contact your nearest sales office and ask for a "return form". The return form shall be sent with the returned material and shall contain all necessary information concerning the problem encountered.

The return of the part is not an order for replacement. Therefore, a purchase order must be entered through your nearest distributor or regional sales office. The order should include part name, part number, model number and serial number of the unit involved.

Following our personal inspection of the returned part, and if it is determined that the failure is due to faulty material or workmanship, and in warranty, credit will be issued on customer's purchase order. All parts shall be returned to our factory, transportation charges prepaid.

## 15. ORDERING SERVICE AND SPARE PARTS ORDER

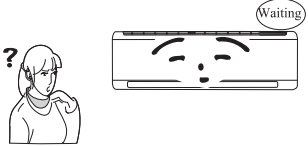



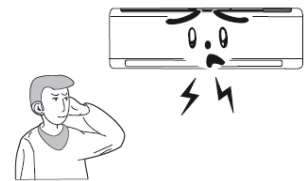
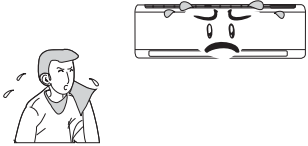
The part number, the order confirmation and the unit serial number indicated on the name plate must be provided whenever service works or spare parts are ordered.

For any spare part order, indicate the date of unit installation and date of failure. Use the part number provided by our service spare parts, if it not available, provide full description of the part required.

## 16. TROUBLE SHOOTING



Don't attempt to repair the air conditioner by your self, it can cause an electric shock or fire. Please check the following items before asking for repair, it can save your time and money.

Phenomenon	Troubleshooting
<p>Not operate immediately when the air conditioner is restarted</p> 	<p>Once the air conditioner is stopped, it will not operate for approximately 3 minutes to protect itself</p>
<p>There's unusual smell blowing from the outlet after operation is started.</p> 	<p>The unit has no peculiar smell by itself. If it has, that is due to the smell accumulated in the ambient. Solution: Clean the filter. If problem persists, it is needed to clean the air conditioner. (Please contact with the authorized maintenance center.)</p>
<p>Sound of water flow can be heard during the operation.</p> 	<p>The air conditioner is started, when it is running, or the unit is stopped, sometimes there is swoosh or gurgle, the sound is due to refrigerant flowing. This is not a malfunction.</p>
<p>In COOL mode, sometimes the mist emitted from the air outlet vent.</p> 	<p>When the indoor temperature and humidity are very high, this phenomenon would happen. This is caused by the room air that is swiftly cooled down. After running for a while, indoor temperature and humidity will fall down, the mist will die away.</p>
<p>Creaking noise can be heard when start or stop the unit.</p> 	<p>This is caused by the deformation of plastic due to the changes of temperature.</p>
<p>Cooling (Heating) efficiency is not good</p> 	<p>Is Temp. setting suitable? Are inlet and outlet vents obstructed? Is filter dirty? Are the windows and doors closed? Did Fan speed set at low speed? Is there any heat sources in the room?</p>

Phenomenon	Troubleshooting
Wireless remote control is not available	<p>The unit is interfered by abnormal or frequent functions switchover occasionally the controller cannot operate. At this time, you need to pull out of the plug, and reinsert it.</p> <p>Is it in its receiving range? Or obstructed? To check the batteries inside the wireless remote control is charged, otherwise to replace the batteries.</p> <p>Whether the wireless remote control is damaged.</p>
If water leakage in the room.	<p>The air humidity is on the high side.</p> <p>Condensing water over flowed.</p> <p>The connection position of the unit drainage pipe is loosed.</p> <p>If unit is running under the high humidity for a long time, the moisture will be condensed on the air outlet grill and drip off.</p>
The unit cannot deliver air.	<p>In HEAT mode, when the temperature of the heat exchanger is very low, that will stop deliver air in order to prevent cool air.</p> <p>In COOL mode, when the temperature of the heat exchanger is very high, that will stop deliver air in order to prevent hot air.</p> <p>In dehumidifying mode, sometimes indoor fan will stop, in order to avoid condensing water be vaporized again, restrain temperature rising.</p>








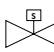
**APPENDIX**  
**ANNEXE**  
**ANLAGE**  
**ALLEGATO**  
**ANEXO**

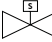


---

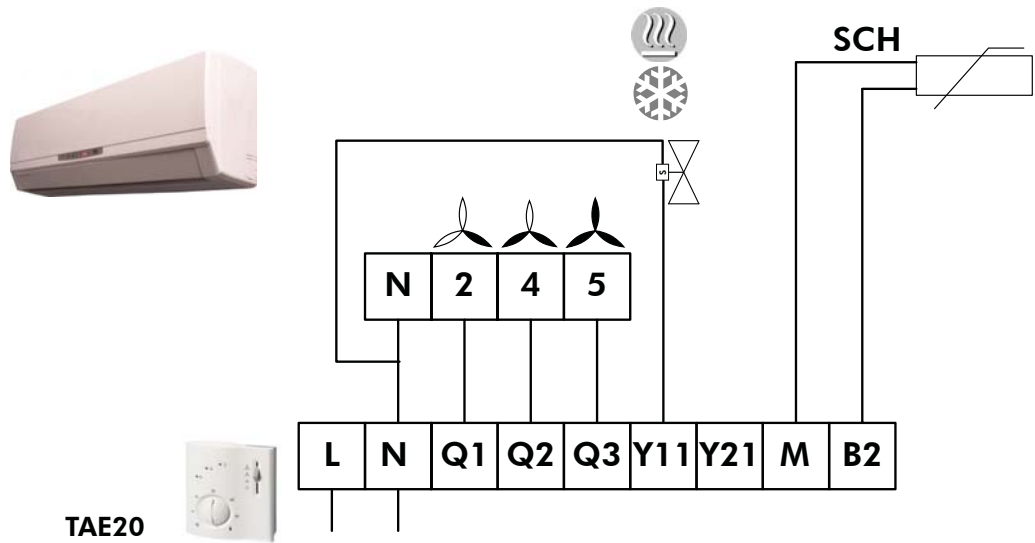




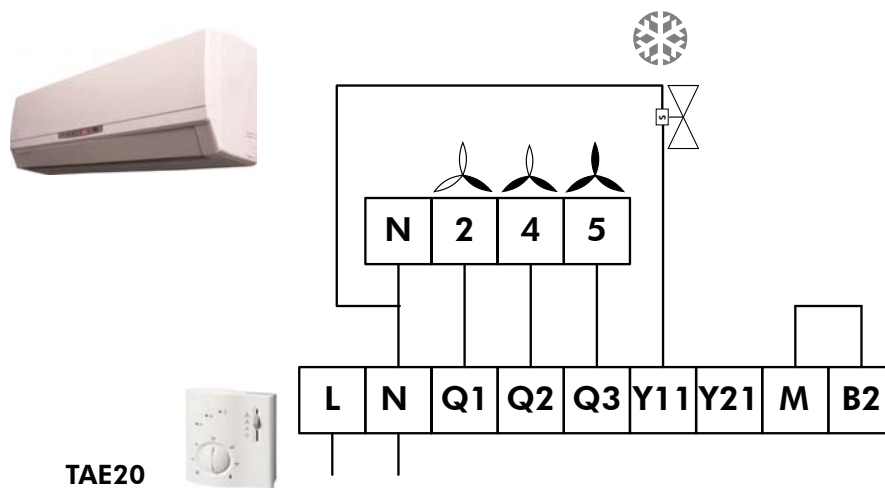
# APPENDIX / ANNEXE / ANLAGE / ALLEGATO / ANEXO

							<b>SCH</b>
<b>GB</b>	COOLING	HEATING	LOW SPEED	MEDIUM SPEED	HIGH SPEED	CONTROL VALVE	CHANGE OVER (TAE 20)
<b>F</b>	FROID	CHAUD	PETITE VITESSE	VITESSE MOYENNE	GRANDE VITESSE	VANNE DE REGULATION	CHANGE OVER (TAE 20)
<b>D</b>	KÜHLUNG	HEIZUNG	KLEINE GESCHWINDIGKEIT	MITTLERE GESCHWINDIGKEIT	HOHE GESCHWINDIGKEIT	REGELVENTIL	CHANGE OVER (TAE 20)
<b>I</b>	FREDDO	RISCALDO	BASSA VELOCITÀ	VELOCITÀ MEDIA	ALTA VELOCITÀ	VALVOLA DI REGOLAZIONE	CHANGE OVER (TAE 20)
<b>E</b>	FRIO	CALOR	VELOCIDAD BAJA	VELOCIDAD MEDIA	VELOCIDAD ALTA	VÁLVULA REGULADORA	CHANGE OVER (TAE 20)

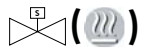
 ( + ) + SCH



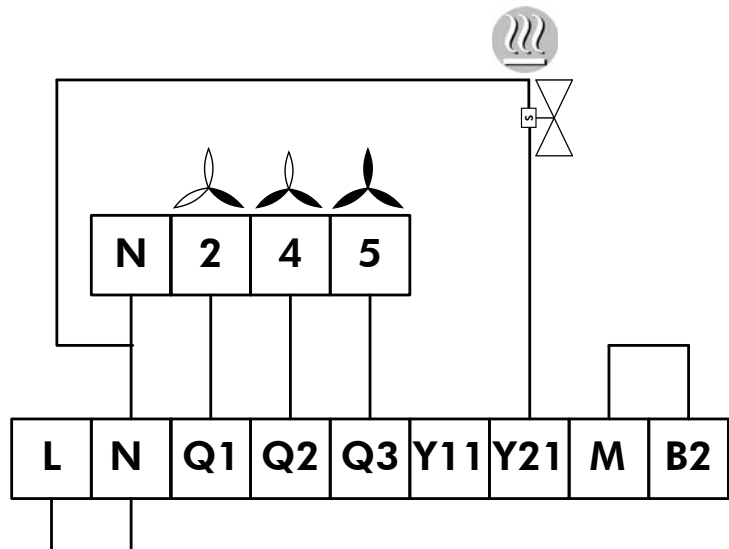
 ()



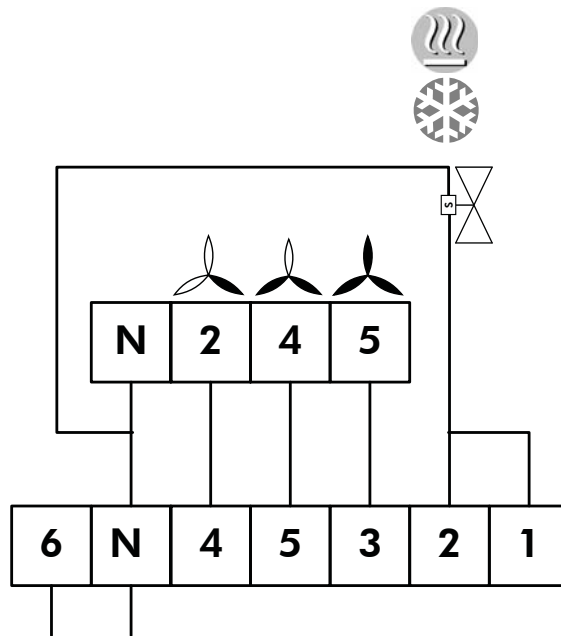
APPENDIX / ANNEXE / ANLAGE / ALLEGATO / ANEXO



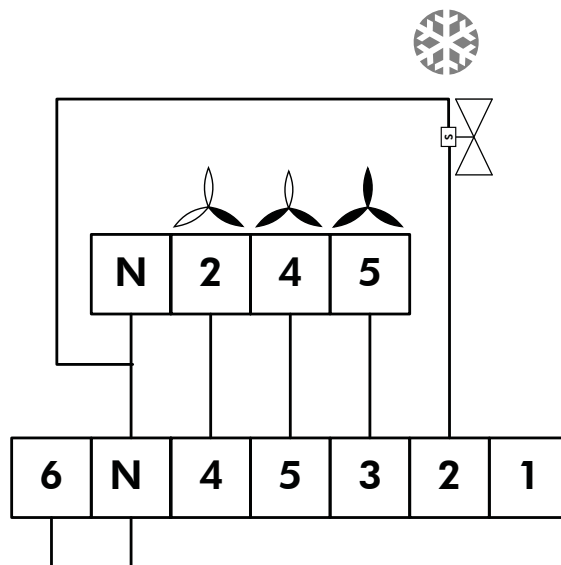
TAE20



TRM-VP

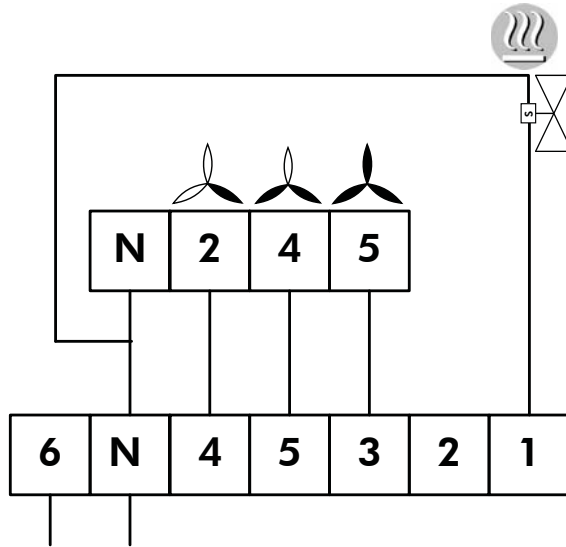


TRM-VP

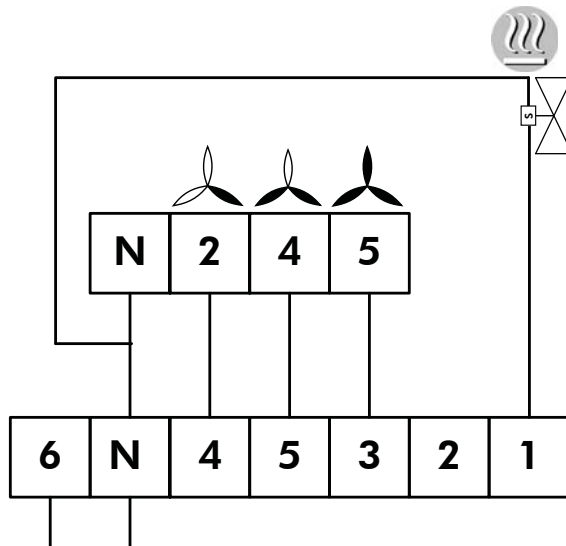




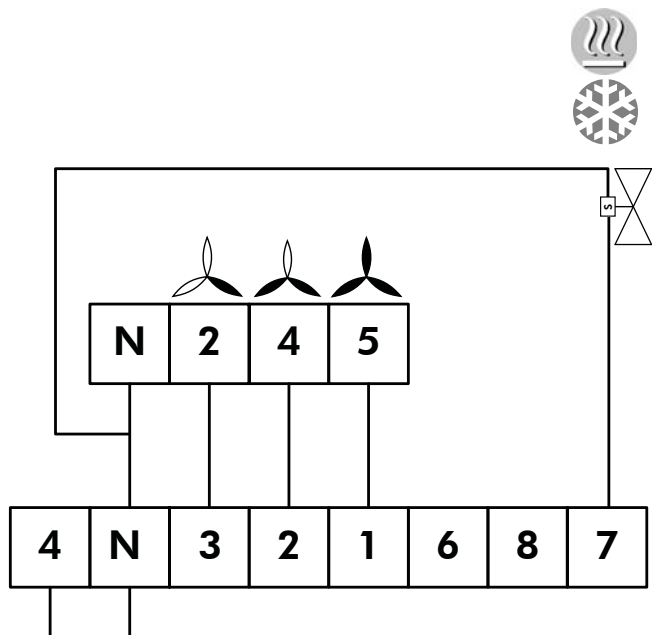
TRM-VP



TRM-VP

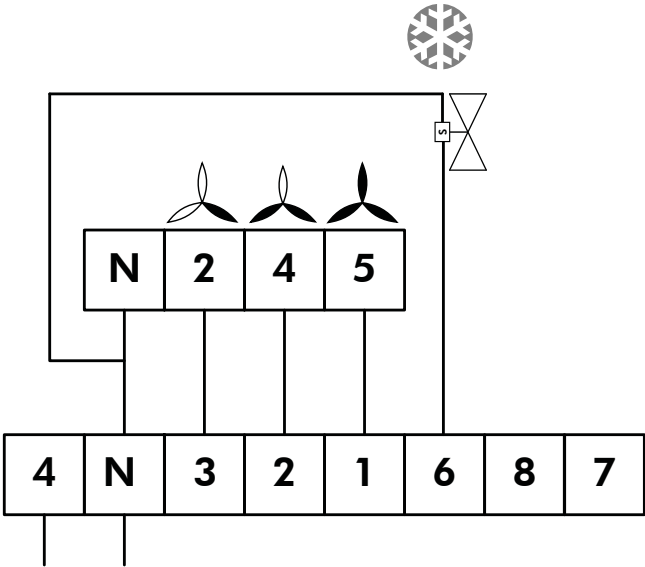


TRM-FA

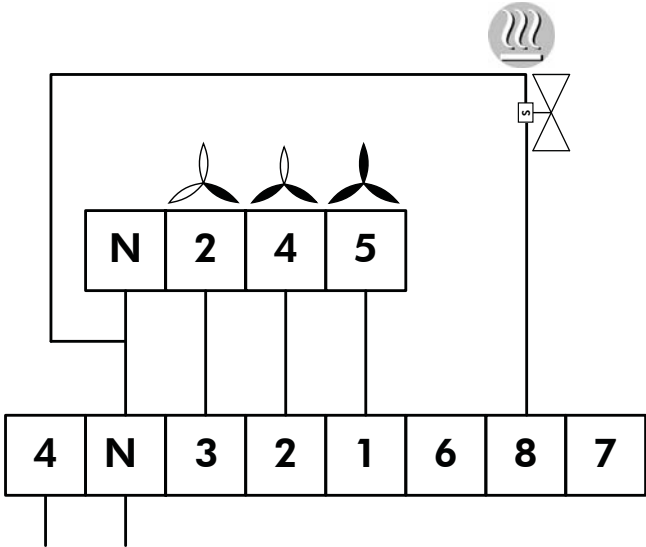




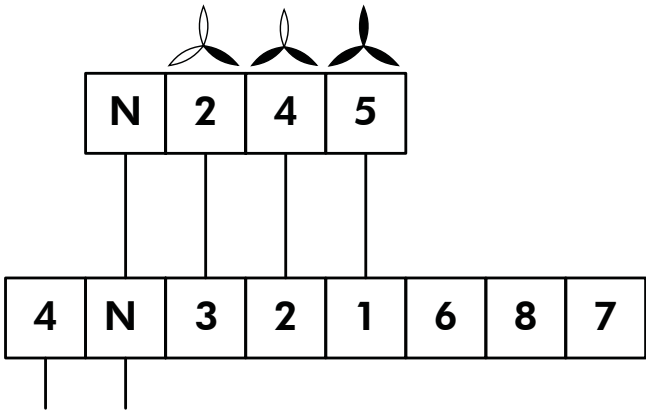
TRM-FA

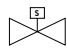




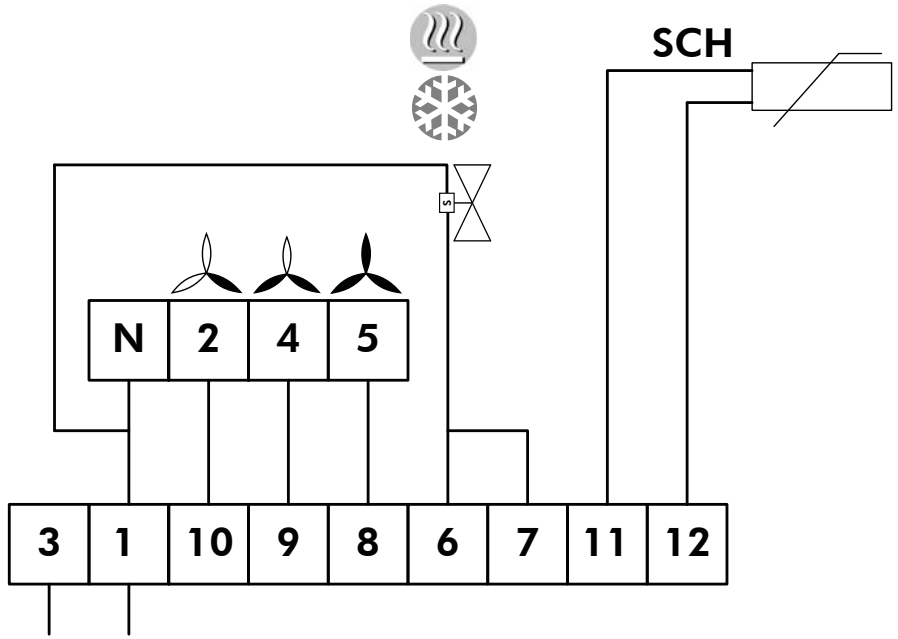
TRM-FA



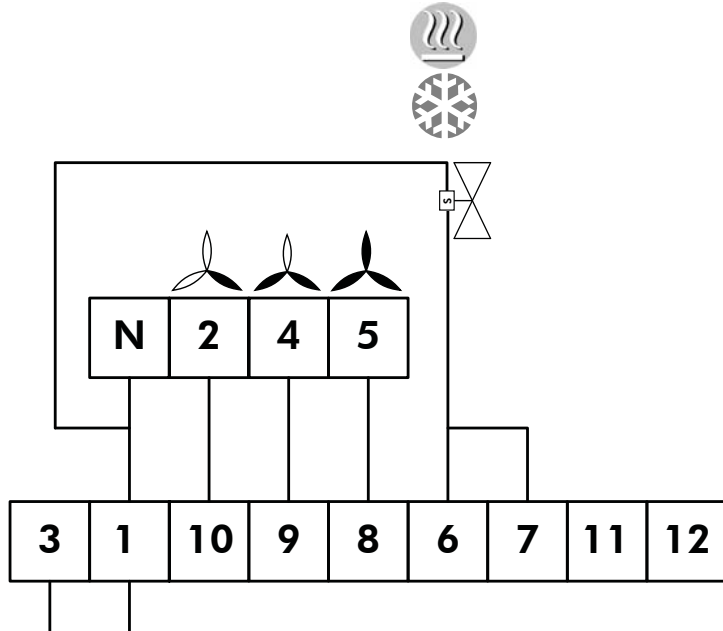
TRM-FA



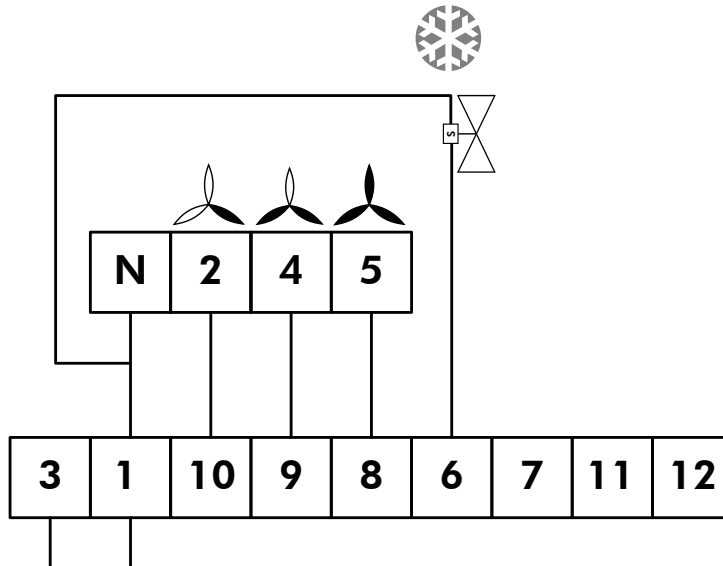
 (  +  ) + SCH



 (  +  )

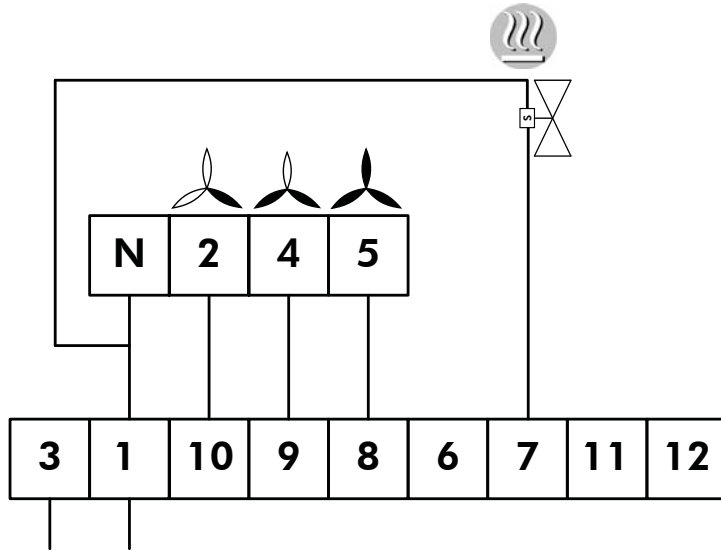


 (  )

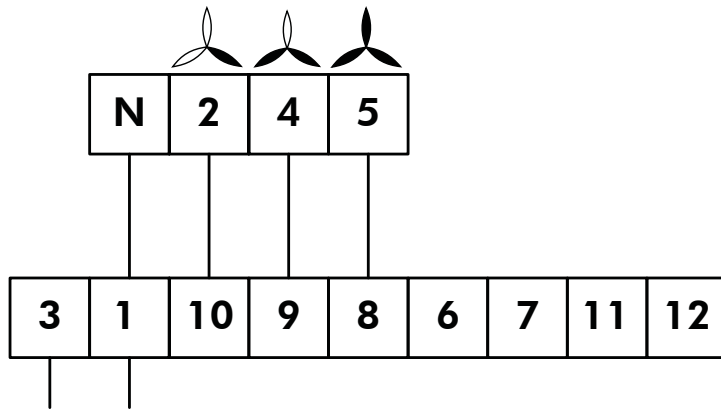




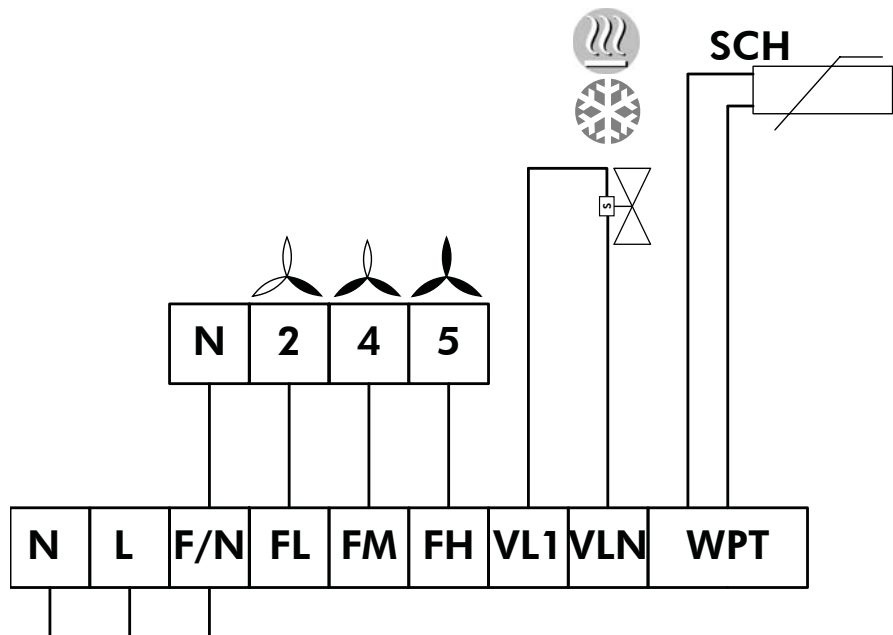
AQUASIMP

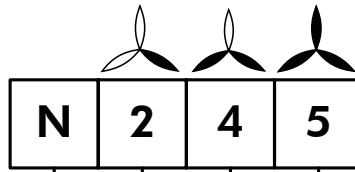
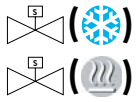


AQUASIMP

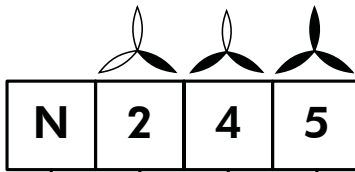


AQUANET

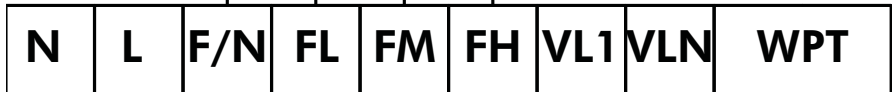




AQUANET



AQUANET









## Systemair AC SAS

Route de Verneuil  
27570 Tillières-sur-Avre  
FRANCE

☎ : +33 (0)2 32 60 61 00

☎ : +33 (0)2 32 32 55 13



*As part of our ongoing product improvement programme, our products are subject to change without prior notice. Non contractual photos.*

*Dans un souci d'amélioration constante, nos produits peuvent être modifiés sans préavis. Photos non contractuelles.*

*In dem Bemühen um ständige Verbesserung können unsere Erzeugnisse ohne vorherige Ankündigung geändert werden. Fotos nicht vertraglich bindend.*

*A causa della politica di continua miglioria posta in atto dal costruttore, questi prodotti sono soggetti a modifiche senza alcun obbligo di preavviso. Le foto pubblicate non danno luogo ad alcun vincolo contrattuale.*

*Con objeto de mejorar constantemente, nuestros productos pueden ser modificados sin previo aviso. Fotos no contractuales.*

