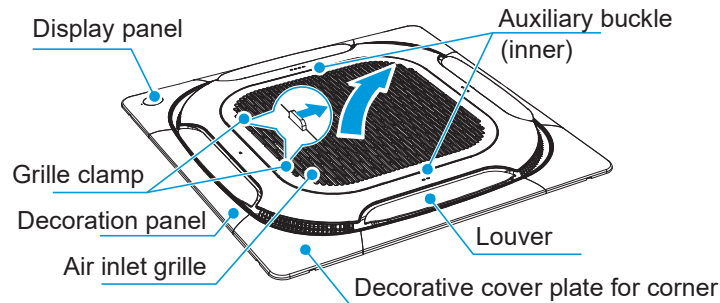


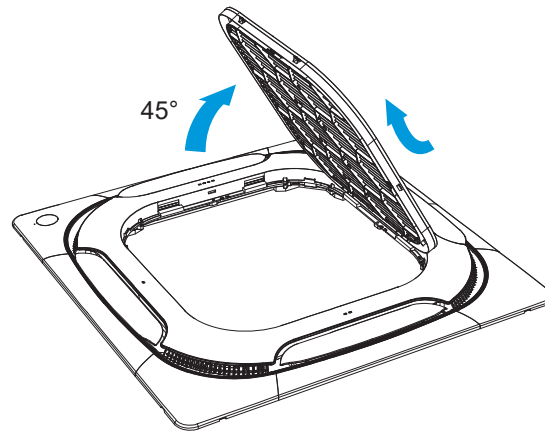
Panel Installation

1 Remove the air inlet grille

- 1 Press the two grille clamps at the same time to lift it.



- 2 Raise the air inlet grille to about 45° and remove the grille.



[Note]

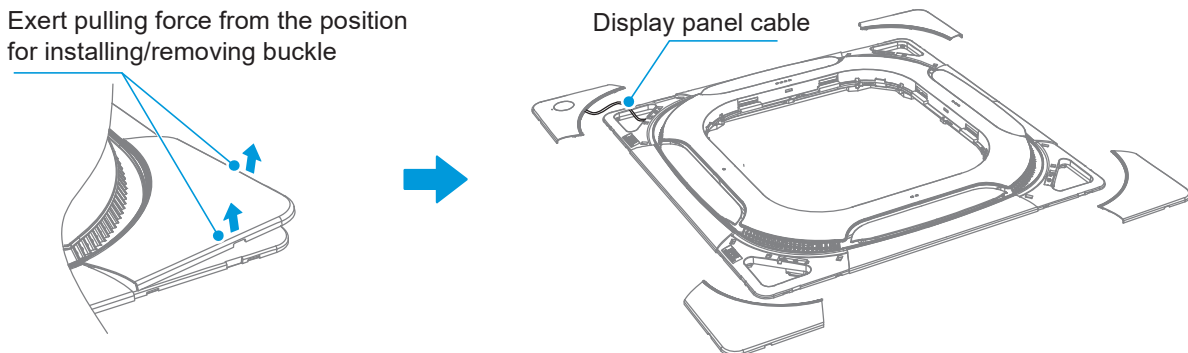
Do not position the panel so that it faces downwards or leans against the wall. Do not place it on a protruding object either.

Do not hit or squeeze the louver.

The panel display side is consistent with the outlet pipe side of the indoor unit. Otherwise, air leakage and condensation may easily occur.

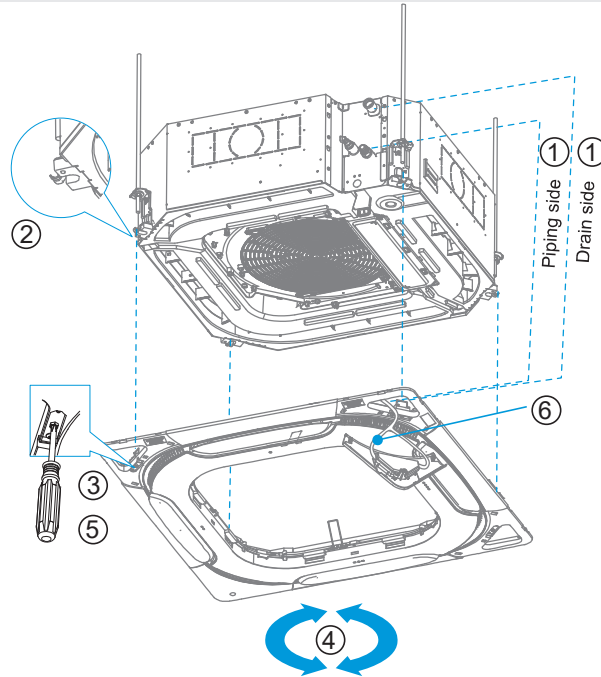
- 3 Remove the mounting cover plates at the four corners, take out the hanging ropes of the installation frame from the inner hooks at the corners of the panel, and take out the mounting cover plates outwards, as shown in the following figure.

Exert pulling force from the position for installing/removing buckle



2 Install the panel

- ① Align the decoration panel with the IDU direction: The following text is engraved on the decoration panel: "Piping side" and "Drainage side". Rotate the decoration panel to align the direction engraved with "Piping side" with the refrigerant piping direction of the IDU. Due to product updates, the current drain side is the same as the piping side, as shown in the two serial numbers ① in the figure below.

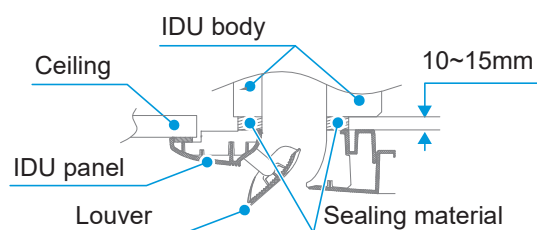


- ② Suspend the decoration panel: Hang the two auxiliary hooks of the decoration panel onto the two hooks of the IDU's air guide ring. Then hang the four steel wire buckles for suspension onto the hooks at the four corners of the IDU, as indicated by the serial number ② in the figure. Note that the hooks are those hanging, protruded hooks.

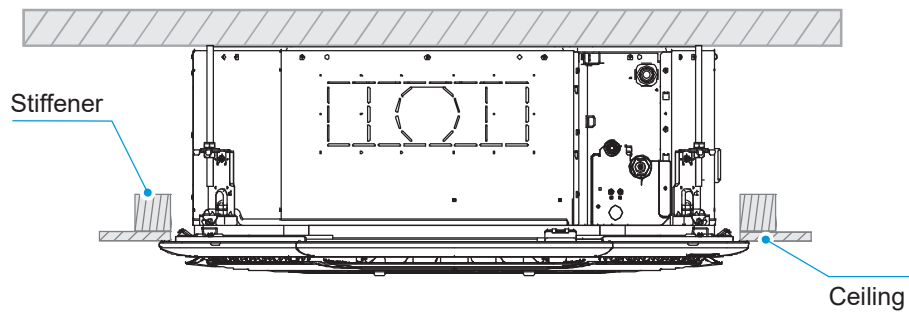
[Caution]

Do not clamp the decoration panel cable between the IDU and decoration panel.

- ③ Pre-fasten the decoration panel: Screw in the locking screws at four corners of the decoration panel by about 5mm (the panel will rise by 5mm accordingly).
- ④ Rotate to adjust the decoration panel along the direction of the arrow so that it can cover the entire ceiling hole.
- ⑤ Tighten the four locking screws at step ③ till the thickness of the sealing material between the panel and the unit body is compressed to 10–15mm, as shown in the figure below.

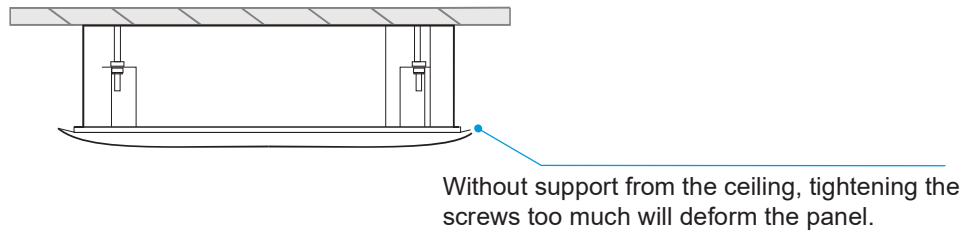


- ⑥ The ceiling shall have sufficient strength to ensure that the panel and the ceiling can be tightly fitted without gap. If the ceiling is not strong enough, add a stiffener. (See the figure below)



- ⑦ Do not pull the display panel and its connecting cable during installation; otherwise a fault could occur.

- ⑧ If the ceiling is unavailable: Adjust the four locking screws until gentle contact with the sealing material between the panel and the unit body. Do not press the material until it reaches a thickness of 10–15mm. Without support from the ceiling, tightening the screws too much will deform the panel edge.

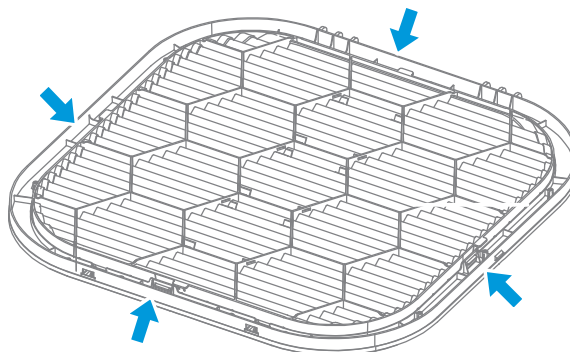


[Caution]

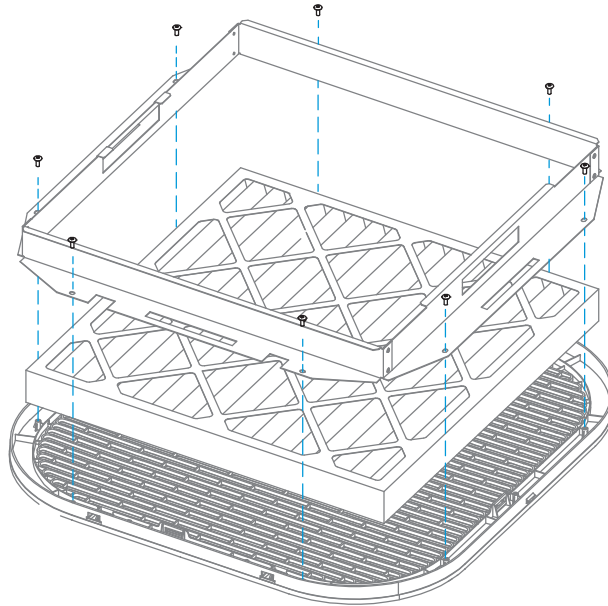
The figure shows only one model of IDU adaptive to this decoration panel. The actual design of other IDUs adaptive to this decoration panel may vary, but the operation method is the same.

3 Install the filter

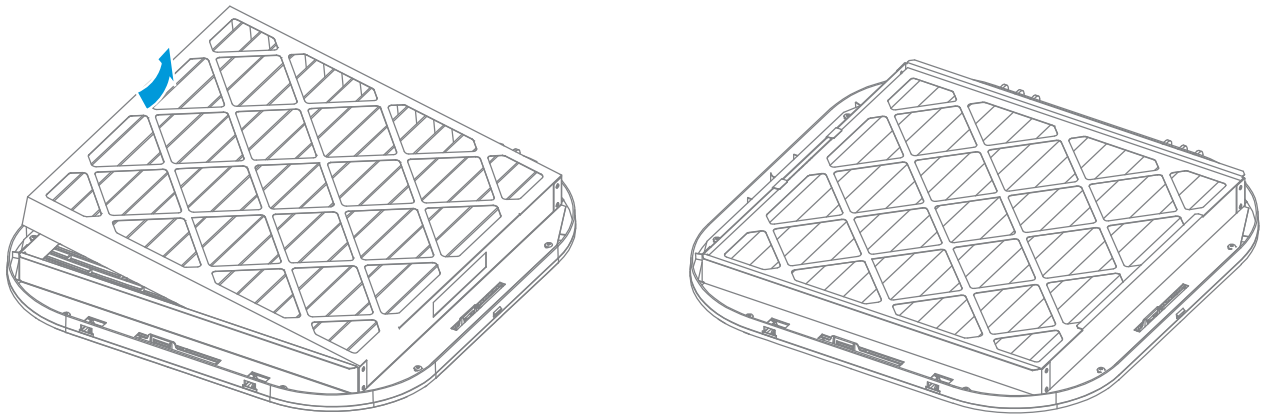
- ① To replace the G1 primary filter, press the buckles inwards in four directions, and then remove the G1 primary filter from the air inlet grille.



- ② Pay attention to the direction of the G3 primary filter, including the airflow direction and mounting bracket direction. The wire mesh side is near the fan. The bracket should be placed as shown below, so that the filter can be pulled out easily. The G3 and F6 filters need mounting brackets, which are to be fixed at the air inlet grille using eight 3.9*10 screws.



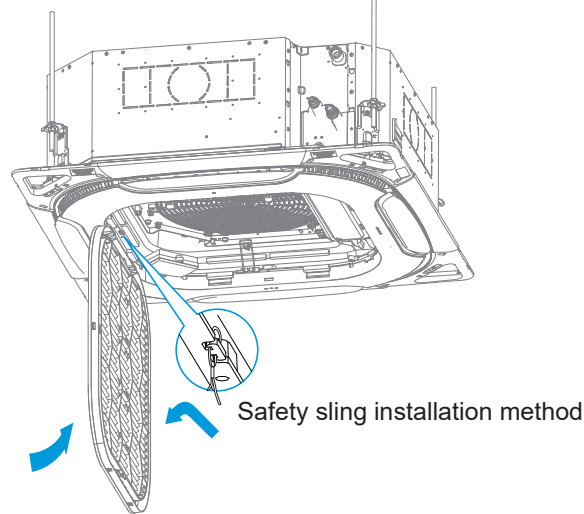
- ③ The G3 primary filter comes equipped with mesh screens. To replace the G3 and F6 filters, you lift one side and pull out the filter. To install a new filter, perform the step in the opposite direction.



4 Install the air inlet grille

①

Tilt the air inlet grille by 45°, and insert the suspension hooks into the hook holes around the return air inlet of the decoration panel. The air inlet grille can be installed at four directions around the return air inlet. But only two directions provide structures to install the safety sling. Please determine the installation direction according to the requirements of the user (see figure below).

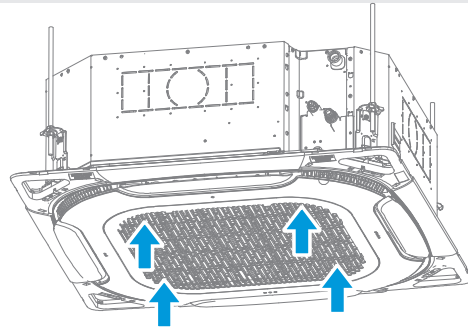


②

A safety sling is designed at the air inlet grille hook. Install the safety sling in the safety sling slot according to the example shown in the figure above.

③

Close the return air grille, and push up the air inlet grille at the four positions indicated by the arrows in the figure below, so that the return air grille is fully clamped into the return air inlet. After assembly, check if the clearances around the air inlet grille are even, and make sure that all the buckles have been fully clamped.



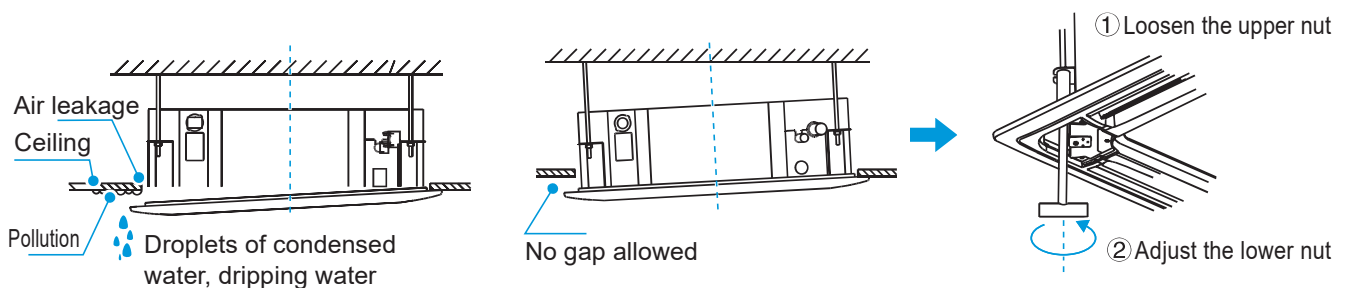
[Caution]

Make sure the wiring of the swing motor is not caught inside the sealing sponge.

Improper screw tightening may cause the failure shown in the figure below.

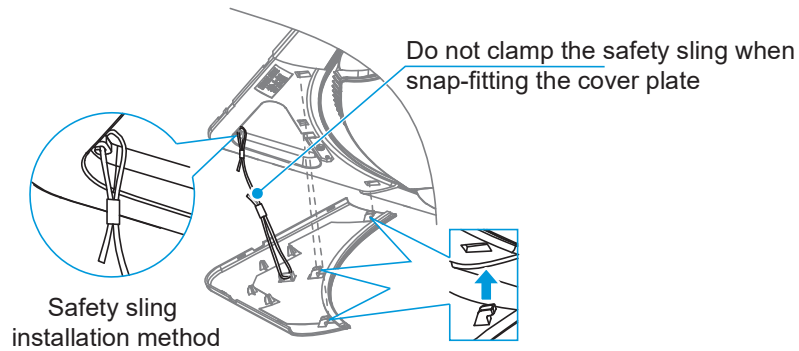
After tightening the screws, if there is still a gap between the ceiling and the panel, the height of the IDU must be readjusted.

Without affecting the lifting, lowering, and levelness of the IDU and the water discharge piping, you can use the openings at the four corners of the panel to adjust the IDU height.



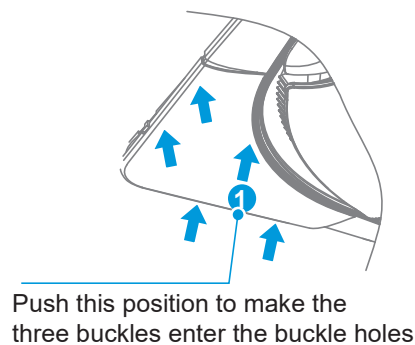
5 Install the decorative cover plate for the corners and the display cover plate

- ① Fix the safety sling on the decorative cover plate for corner on the decoration panel.



②

Snap-fit the decorative cover plate for corner: There are three buckles on the decorative cover plate. First insert the three buckles in the three corresponding holes on the decoration panel, when the three buckles are not snap-fitted with the decoration panel, and then press the position indicated by the arrow ① in the figure below to snap-fit the three buckles with the decoration panel. Finally, press the positions indicated by the other four arrows so that the decorative cover plate for the corners is completely assembled with the decoration panel.



③

The display panel cover plate is connected to the decoration panel using a cable. It is not necessary to install a safety sling. The installation method of the display panel and the decoration panel is the same as that described in the above step 2.

