

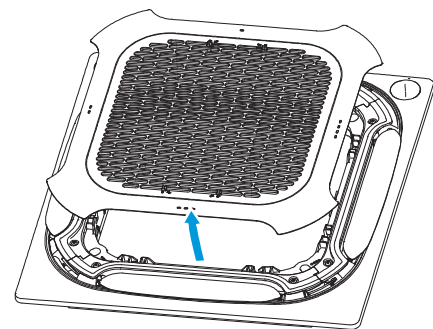
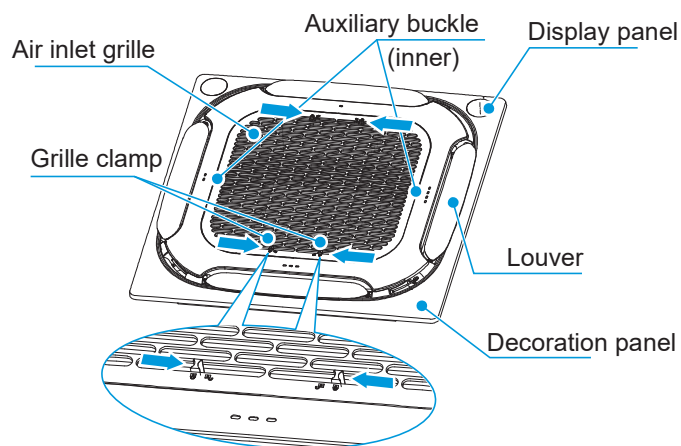
Panel Installation

Caution

When installing the panel, avoid placing the display panel directly under the inlet/outlet pipelines.

1 Remove the air inlet grille

Press the two grille clamps at the same time to lift the grille.



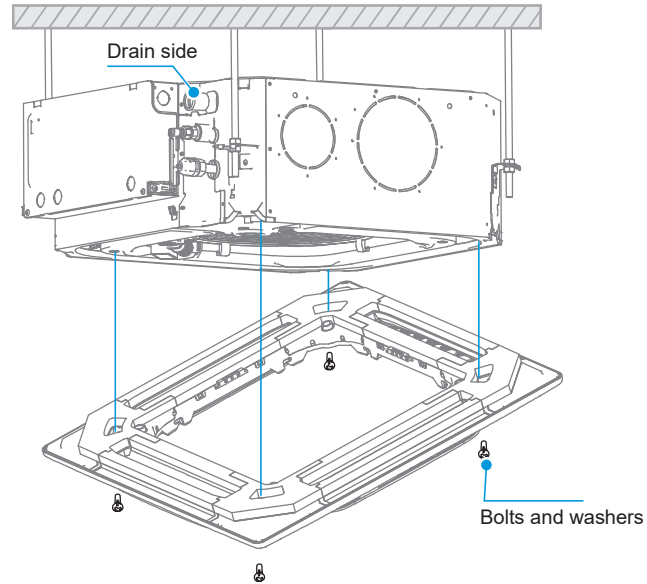
Note

Do not position the panel so that it faces downwards or leans against the wall. Do not place it on a protruding object either.

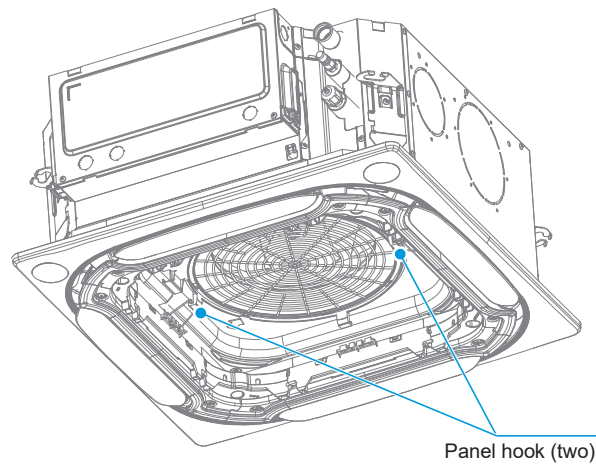
Do not hit or squeeze the louver.

2 Install the panel

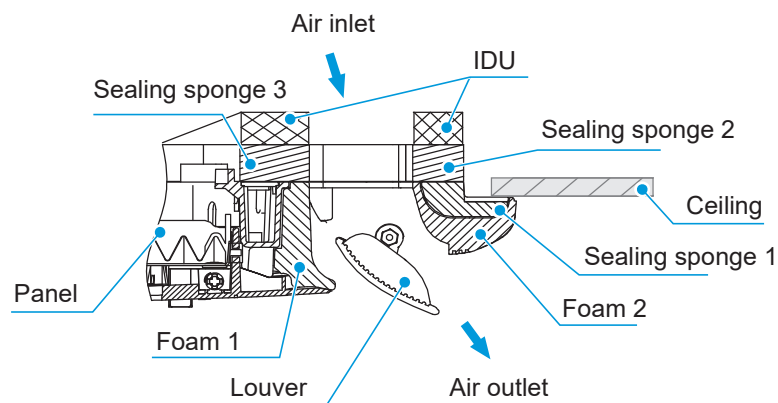
- 1 Install the panel on the IDU using bolts (M5×20) and washers.



- 2 Make sure the two hooks are well secured.



- 3 Tighten the screws under the panel hooks until the thickness of the sealing sponges 1 and 2 between the IDU and the panel outlet is reduced to about 4-6mm. The edge of the panel should be in good contact with the ceiling.

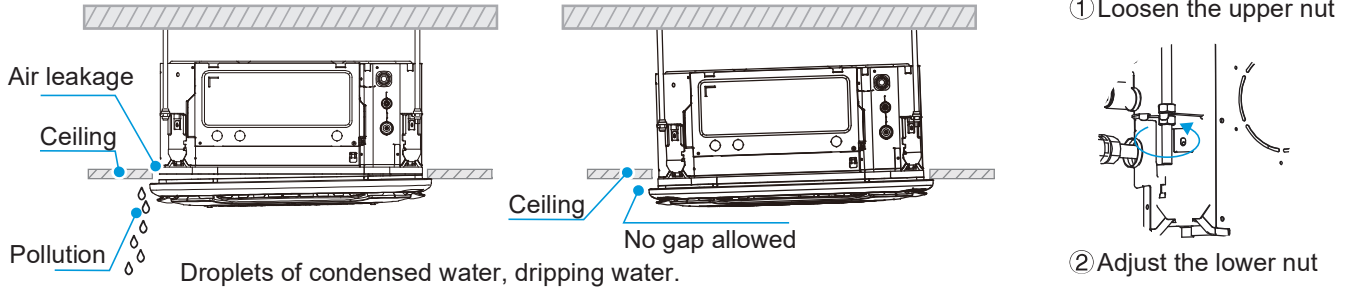


Caution

Improper screw tightening may cause the failure shown in the figure below.

After tightening the screws, if there is still a gap between the ceiling and the panel, the height of the IDU must be readjusted.

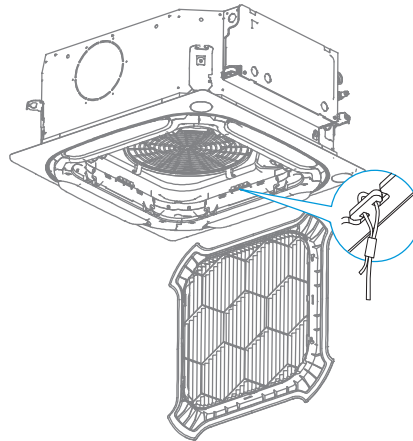
If the lift level of the IDU and the drainage pipes are not affected, you can remove the panel and readjust the height of the IDU.



3 Install the suction grille

① Refer to the wiring nameplate located on the cover of the unit's electric control box, and connect the exposed wires of the panel to the corresponding interface of the unit's electric control.

② A safety hang rope is reserved for the suction grille. Please install the hanging rope into the hang rope slot.



③ Install the suction grille back into the corresponding position, and push it up slightly at the grille clamp position to ensure that the grille buckle is fully engaged in the slot of the panel, and the grille is in the closed position.

