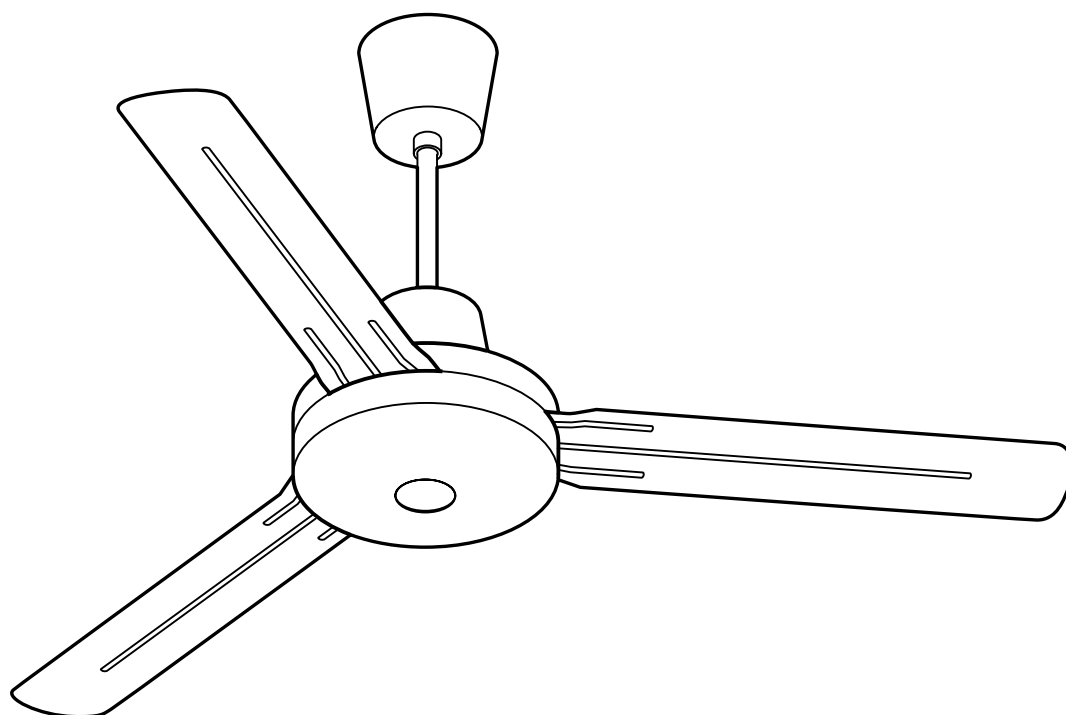


Original instructions
ICF 20/55



SE ... 9

NO ... 10

FI ... 11

GB ... 12

FR ... 13

DE ... 14

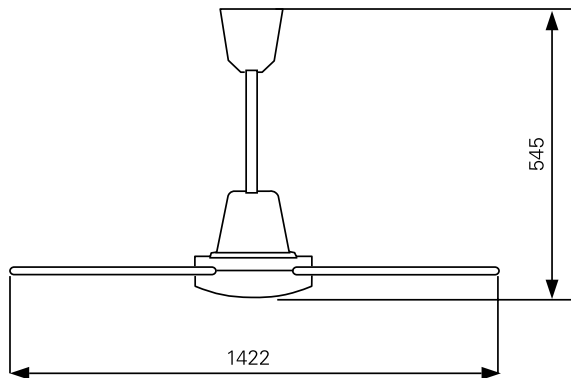
RU ... 15

PL ... 16

DK ... 17

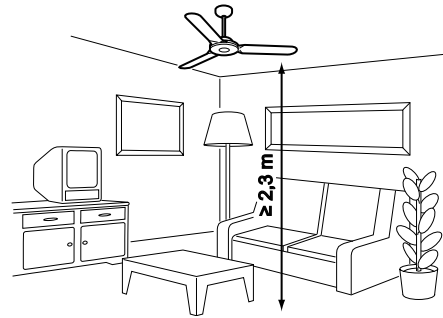
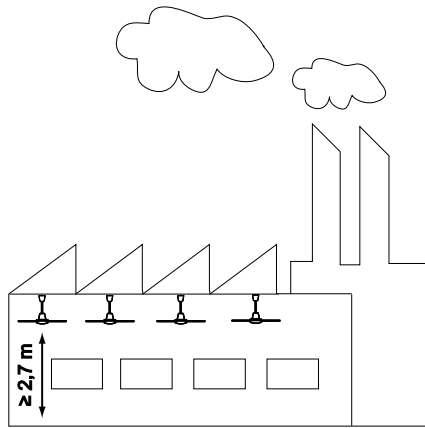
Dimension

Item number	Type	Height [mm]	Ø [mm]	Weight [kg]
11800	ICF20	545	1422	6,2
11729	ICF55	545	1422	6,2

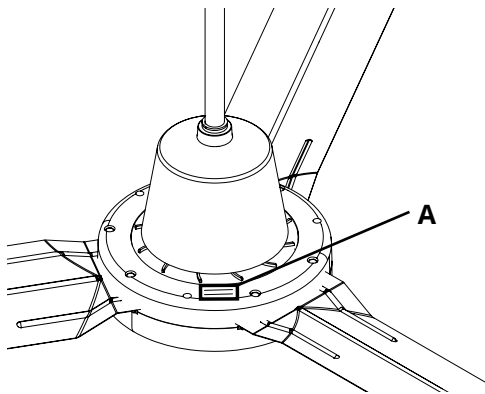


Installation

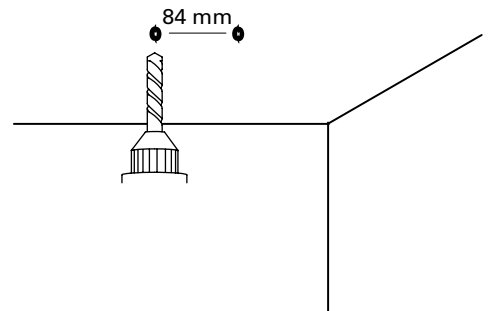
1



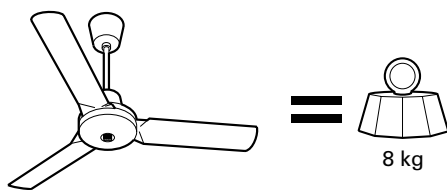
2



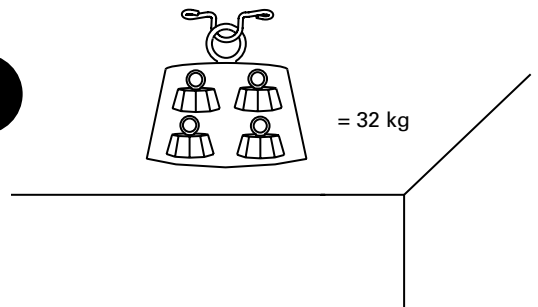
3



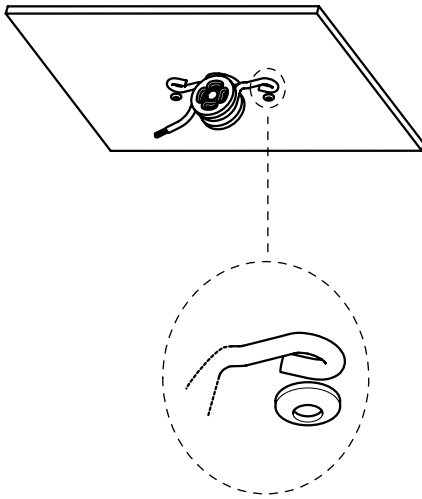
4



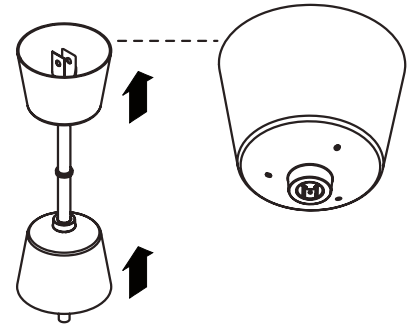
5



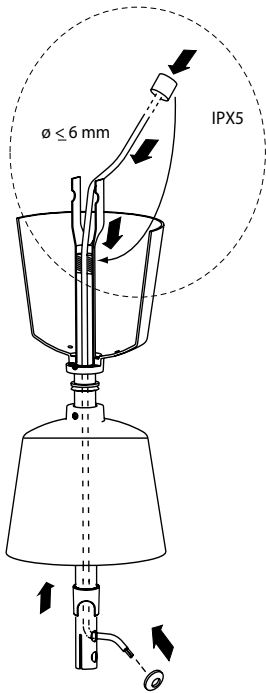
6



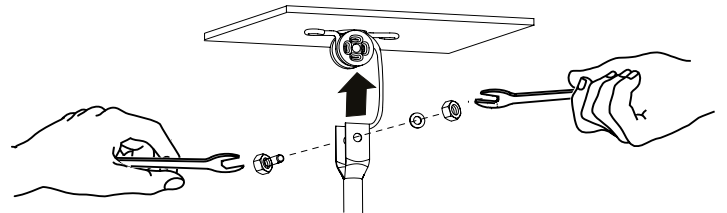
7



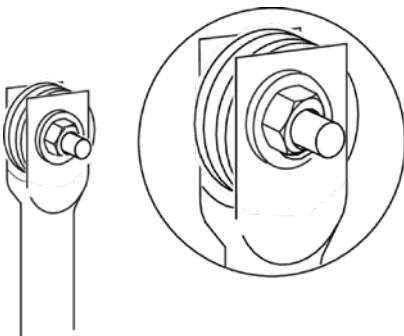
8



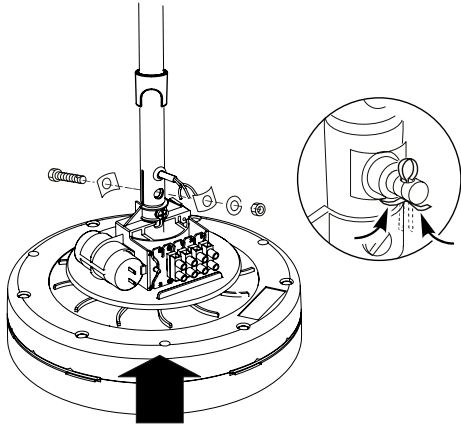
9



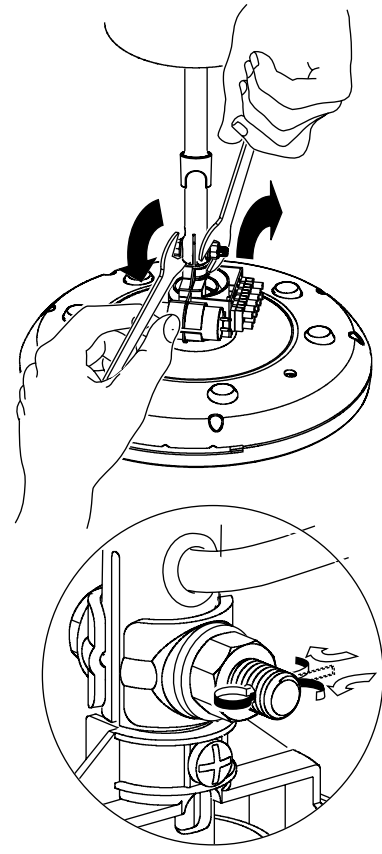
10



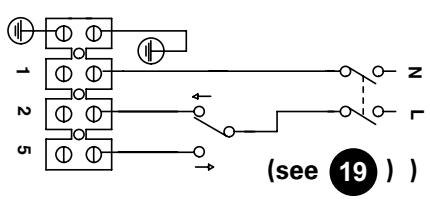
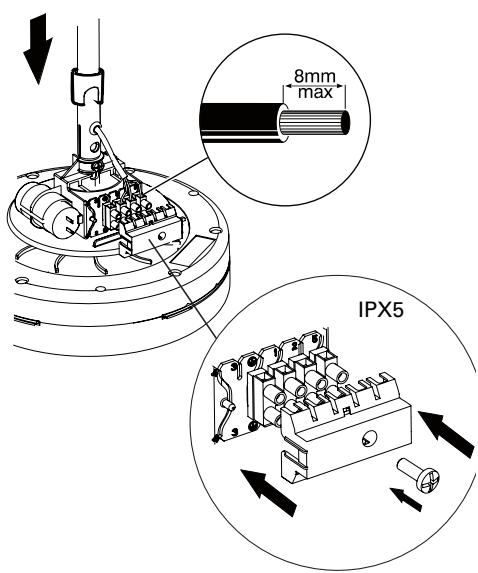
11



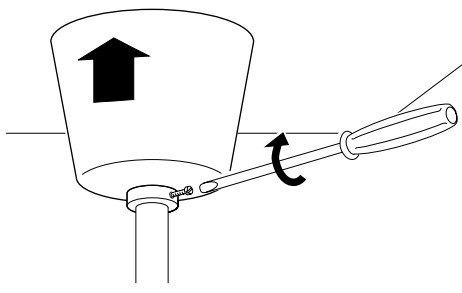
12



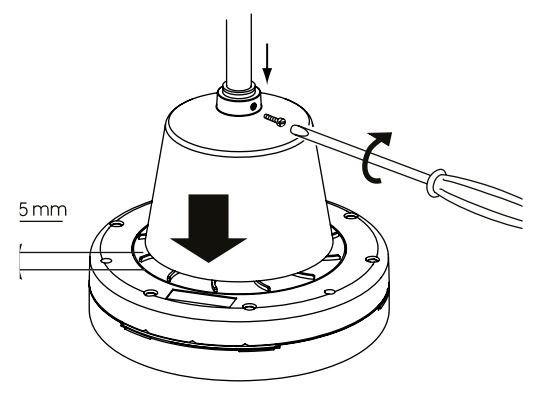
13



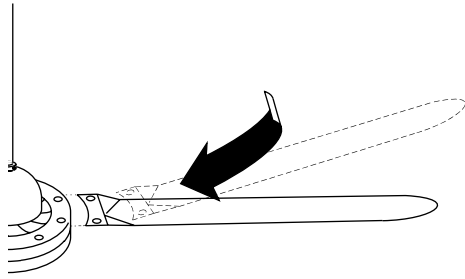
14



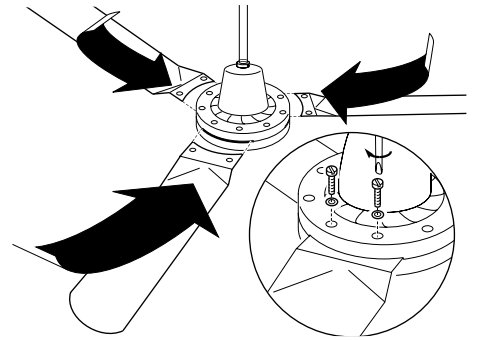
15



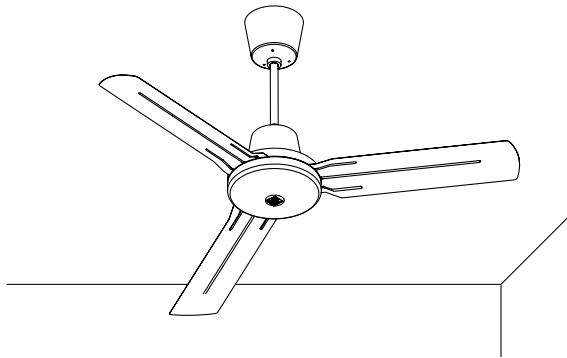
16



17

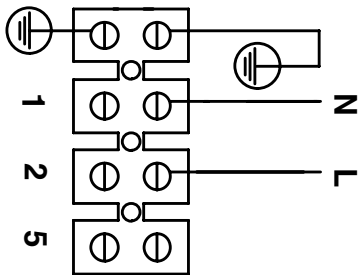
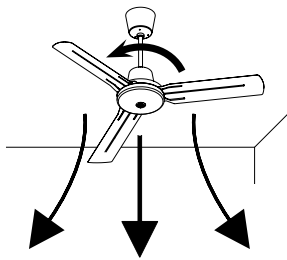


18

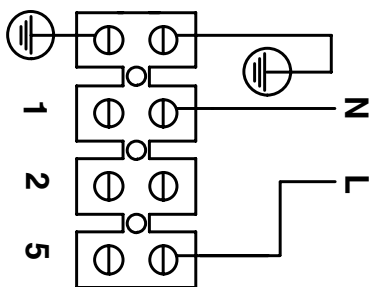
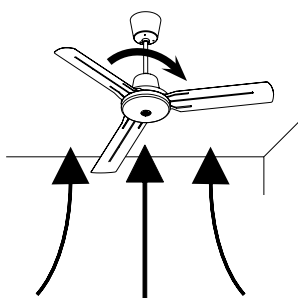
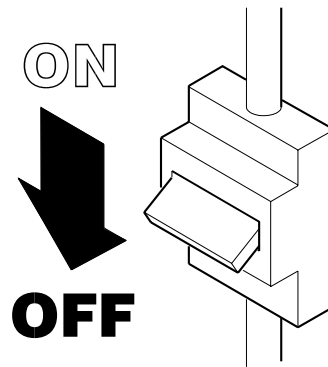


Maintenance

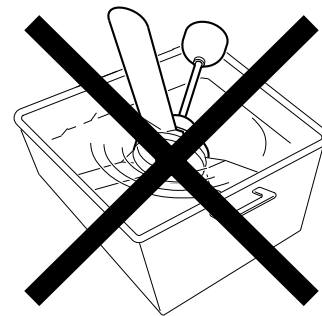
19



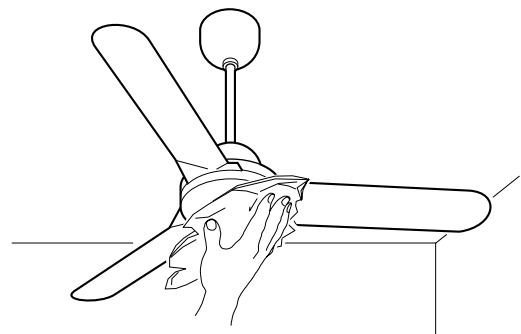
20



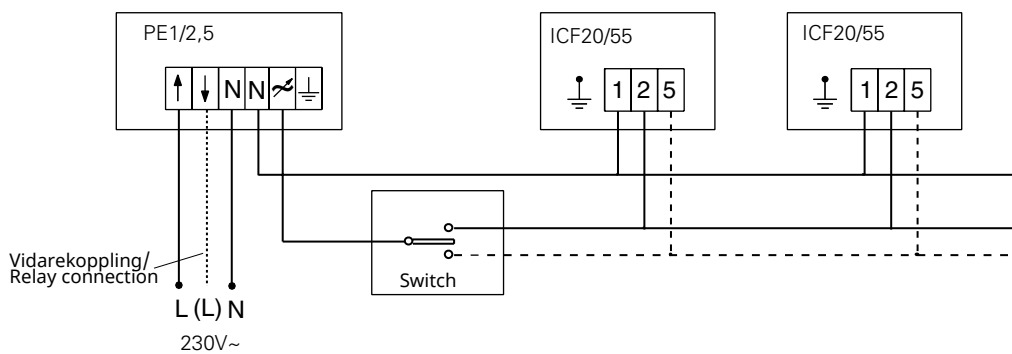
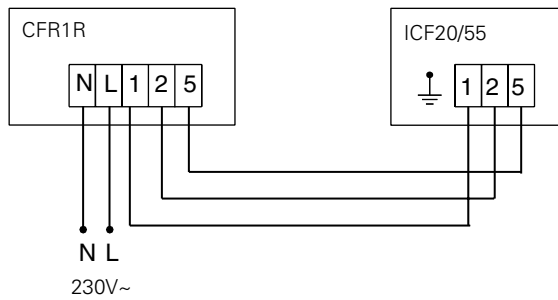
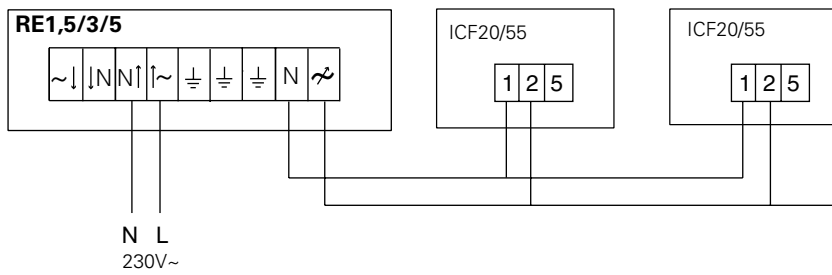
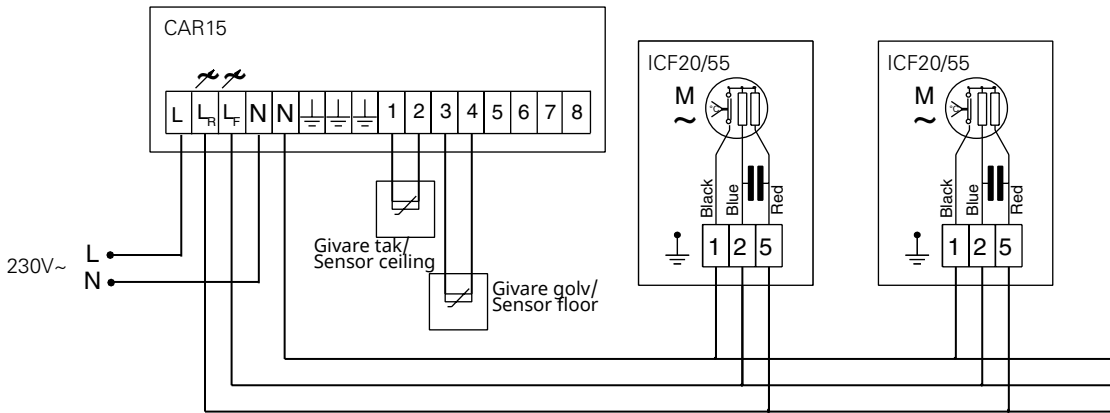
21



22



Wiring diagrams ICF20/55



----- Anslutning för reversering/
Connection for reverse rotation

Assembly and operating instructions

General Instructions

Read these instructions carefully before installation and use. Keep this manual for future reference.

The guarantee is only valid if the units are used in the manner intended by the manufacturer and in accordance with the Frico mounting and operating instructions.

Areas of use

Roof fans are chiefly used to even out the temperature in premises with high ceilings. The warm air that collects under the ceiling is pressed down so that it can heat the occupied areas underneath. Warm air escape via the ceiling are thereby reduced. This form of air mixing also has a quicker heating effect on cold goods, makes for better drying, and reduces the risk of cold irradiation.

Enclosure class ICF20: IPX0

Enclosure class ICF55: IPX5

Placement

The fans should be placed symmetrically in the premises where they can provide optimum temperature spread. Make sure the fans are always installed where there is no risk to people or of contact with objects from the rotating blades. Nor should they be placed where they blow air directly on people. Generally fan speed should be regulated so that they don't cause draughts.

Fan installation and electrical connection

See fig. 1-19.

Max. surrounding temperature is +40 °C.

The roof fan(s) should only be wired by a competent electrician and in accordance with the latest edition of IEE wiring regulations.

Service and maintenance

See fig. 20-22.

ICF20/55 is basically maintenance free, but should be checked on a regular basis.

Important! Check the hanging brackets to avoid the risk of the fan falling down.

Before cleaning the unit or carrying out maintenance operations, turn the main switch off and remove the plug from the power supply. When several units are controlled with a common control device the fan speed could differ from one unit to another. In most cases these differences will disappear when the fans have been running for some time (about a week). Another reason could be that the lower protective cover is squeezed too tight to the fan, adjust the covers if necessary.

Safety

This appliance can be used by children aged from 8 years and above and persons with reduced physical, sensory or mental capabilities or lack of experience and knowledge if they have been given supervision or instruction concerning use of the appliance in a safe way and understand the hazards involved. Children shall not play with the appliance. Cleaning and user maintenance shall not be made by children without supervision.

Specifications for the power supply must correspond to the electrical data on data plate A (fig. 2).



Main office

Frico AB
Industrivägen 41
SE-433 61 Sävedalen
Sweden

Tel: +46 31 336 86 00
mailbox@frico.se
www.frico.net

**For latest updated information and information
about your local contact: www.frico.net**