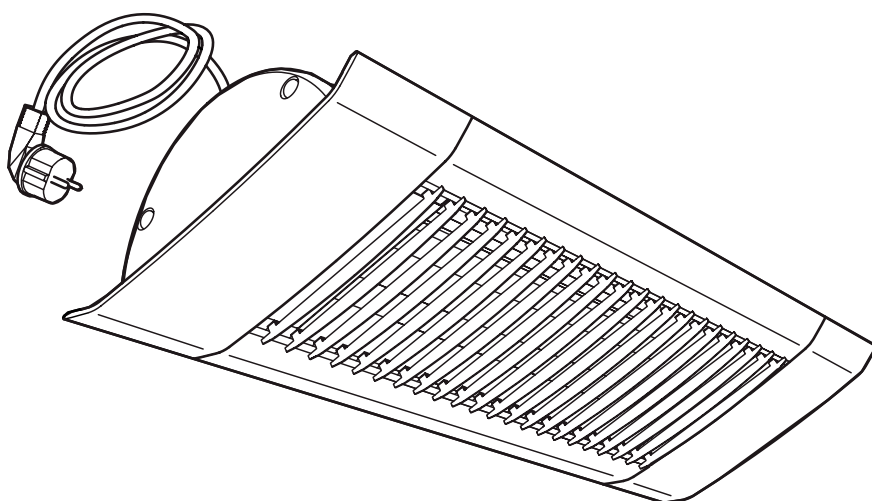


Original instructions

IHC



EN ... 7

SE ... 9

NO ... 12

FR ... 15

DE ... 18

ES ... 22

NL ... 25

IT ... 28

PL ... 31

RU ... 35

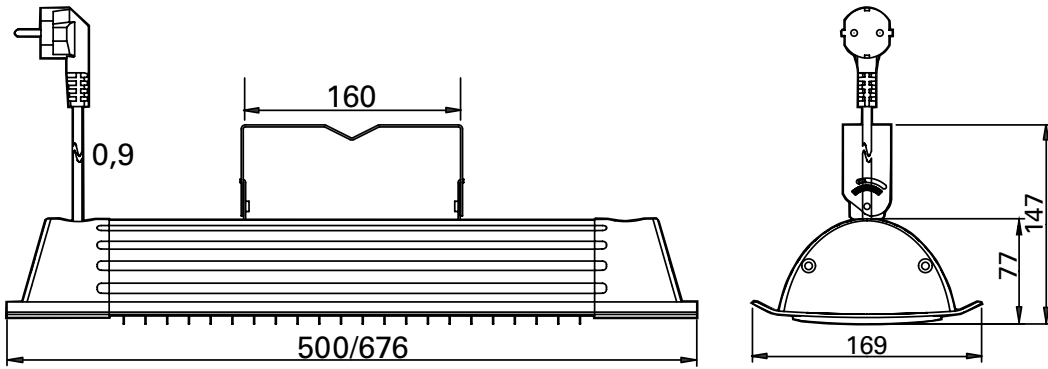
FI ... 38

DK ... 41

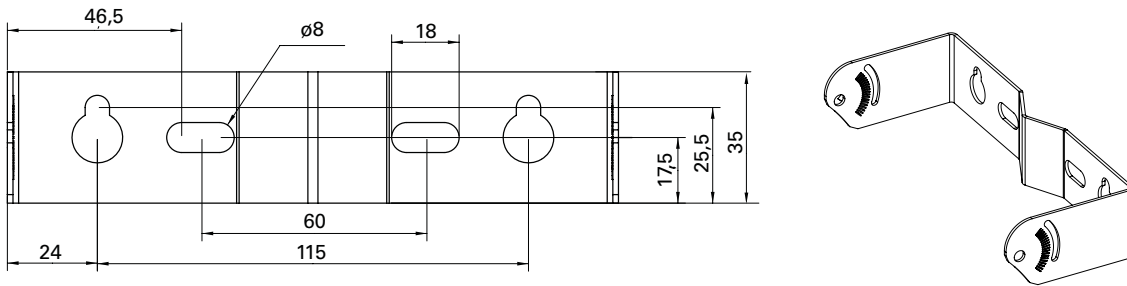
IHC

- (EN) The introduction pages consist mainly of pictures. For translation of the English texts used, see the respective language pages.
- (SE) Introduktionssidorna består huvudsakligen av bilder. För översättning av de engelska texter som används, se respektive språksidor.
- (NO) Introduksjonssidene består hovedsakelig av bilder. For oversettelse av de engelske tekstene, se de respektive språksidene.
- (FR) Les pages de présentation contiennent principalement des images. Consulter la page correspondant à la langue souhaitée.
- (DE) Die Einleitungsseiten bestehen hauptsächlich aus Bildern. Für die Übersetzung der verwendeten Texte in englischer Sprache, siehe die entsprechenden Sprachseiten.
- (ES) Las páginas introductorias contienen básicamente imágenes. Consulte la traducción de los textos en inglés que las acompañan en las páginas del idioma correspondiente.
- (NL) De inleidende pagina's bevatten hoofdzakelijk afbeeldingen. Voor een vertaling van de gebruikte Engelse teksten, zie de pagina's van de resp. taal.
- (IT) Le pagine introduttive contengono prevalentemente immagini. Per le traduzioni dei testi scritti in inglese, vedere le pagine nelle diverse lingue.
- (PL) Początkowe strony zawierają głównie rysunki. Tłumaczenie wykorzystanych tekstów angielskich znajduje się na odpowiednich stronach językowych.
- (RU) Страницы в начале Инструкции состоят в основном из рисунков, схем и таблиц. Перевод встречающегося там текста приведен в разделе RU.
- (FI) Esittelysivut koostuvat lähinnä kuvista. Suvuilla olevien englanninkielisten sanojen käännökset löytyvät ko. kielisivuilta.
- (DK) Introduktionssiderne består hovedsageligt af billeder. For oversættelse af de engelske tekster, se siderne for de respektive sprog.

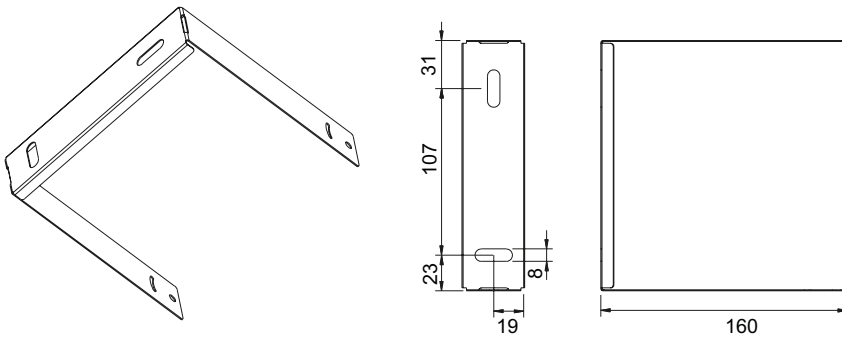
Dimensions



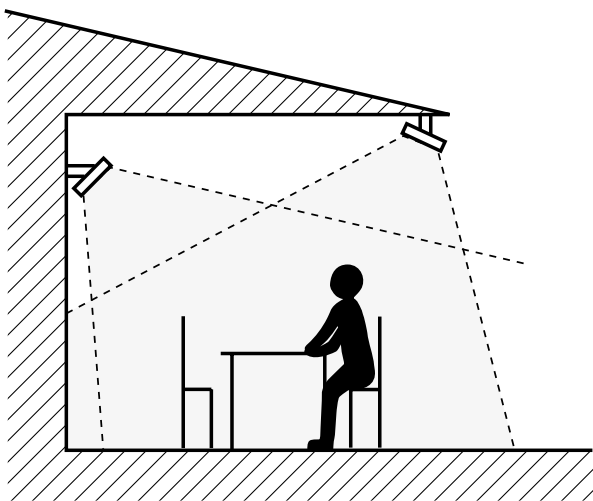
Wall bracket



IHE (18050)



Positioning



Installation height

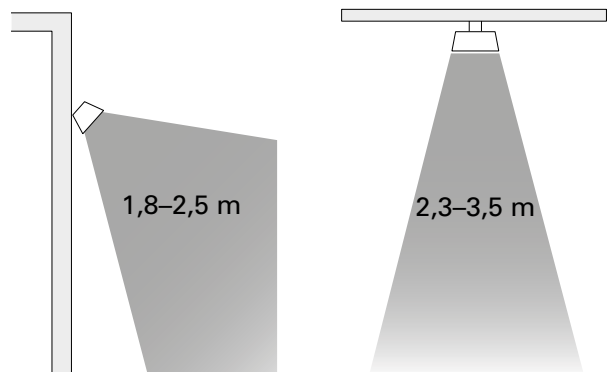
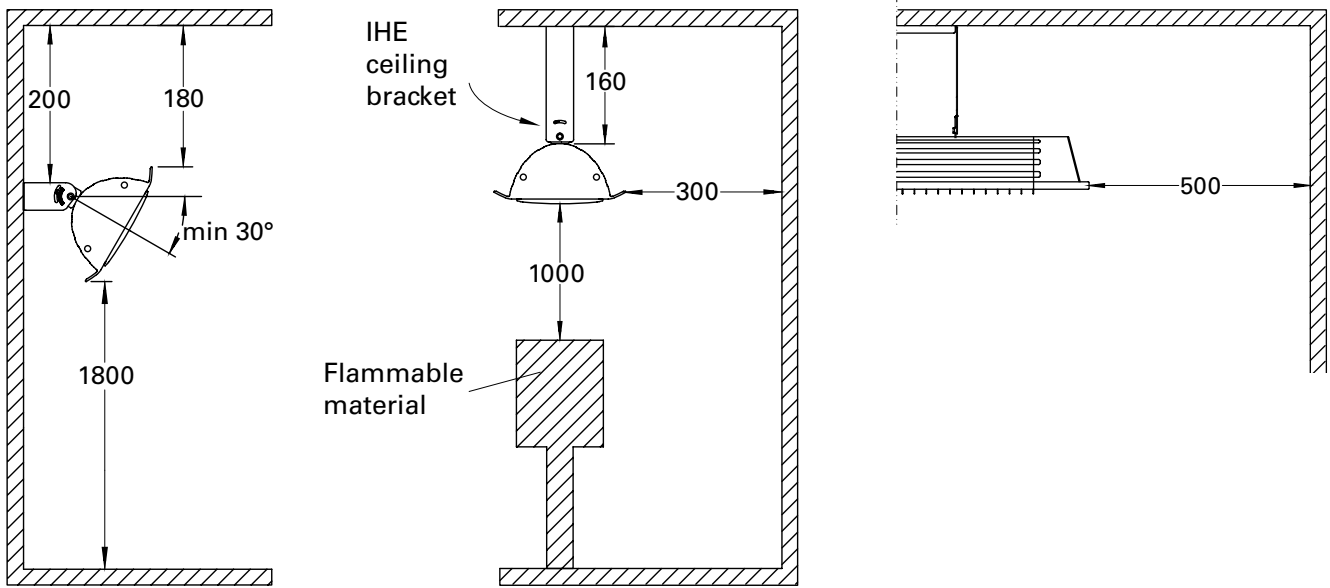
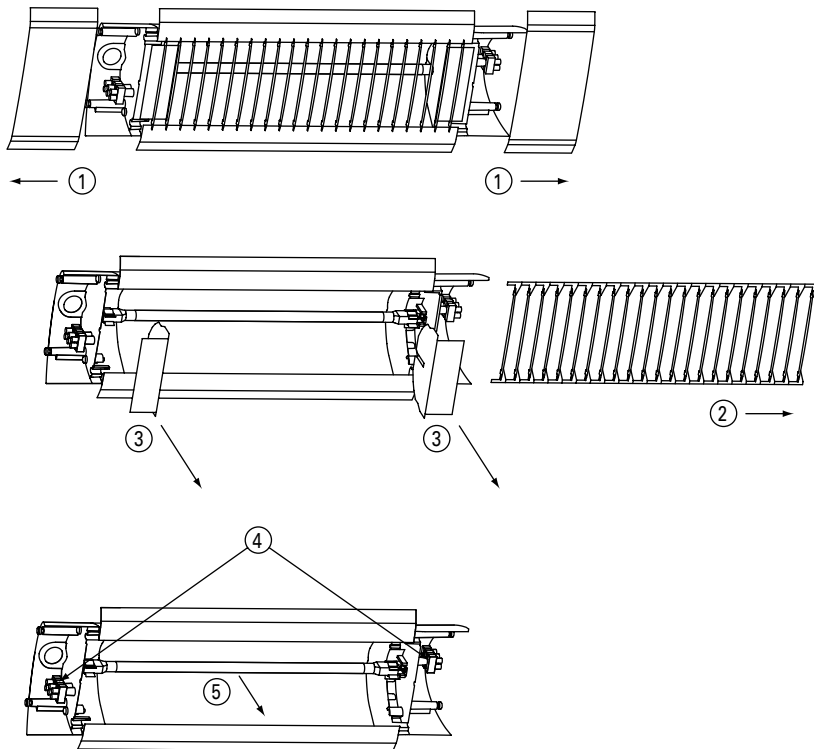


Fig.1: The heaters should heat from at least two directions for even heating

Minimum mounting distance



Replacing the lamp



IHC

Accessories

11884	IHUB*
18050	IHE
16975	IHXH*
16976	IHXL*
11887	IHT*
16974	IHTW*
16970	IHP*
92865	KLS1KS
93272	IHAF
220648	IHC1200
220649	IHC1800

*) See separate manual.



IHUB



IHE



IHXH



IHXL



IHT



IHT+IHTW



IHP



IHP+IHT



KLS1KS



IHAF

Controls

92867	IHBD3*
10740	CBT

*) See separate manual.



IHBD3



CBT

Technical specifications

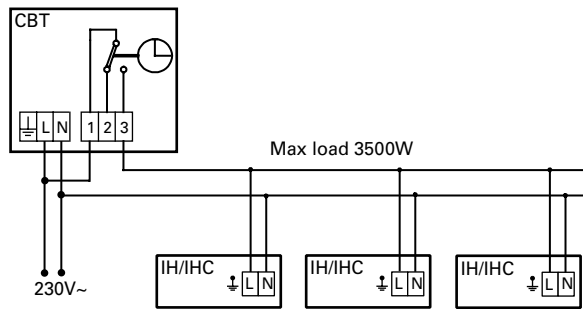
Carbon infrared heater IHC (IP44)

Item number	Type	Heat output [W]	Voltage [V]	Amperage [A]	Max. filament temperature [°C]	Length [mm]	Weight [kg]
19603	IHC12	1150	230V~	5,0	1200	500	1,9
19604	IHC18	1750	230V~	7,6	1200	676	2,5

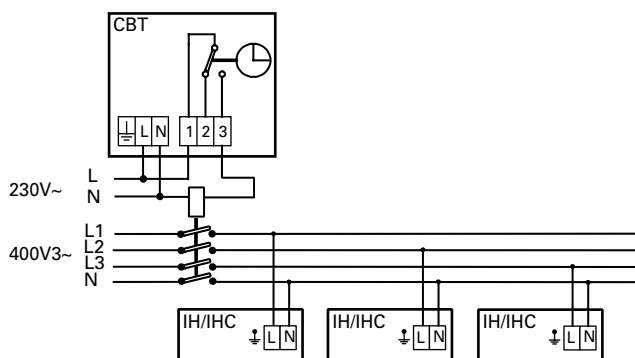


Wiring diagrams

Timer control



Timer control with contactor



Installation and operating instructions

General Instructions

Read these instructions carefully prior to installation and use. Keep this manual for future reference.

The product may only be used as set out in the assembly and operating instructions. The guarantee is only valid should the product be used in the manner intended and in accordance with the instructions.

Application

Carbon infrared heater IHC produces a gentle and direct heat which together with the soft glow, is ideal for outdoor restaurants where design is important. IHC has a heat distribution best suited for close and slightly higher installations. Protection class: IP44.

Positioning

The heaters must be placed so that they cover the area to be heated, see fig. 1. The normal mounting height is 2–3 metres above the ground/floor. A rule of thumb for infrared heaters is that 600–800 W/m² increases the experienced temperature by about 10 °C. The output demand can be reduced if the area to be heated is protected. If the area only has a roof, at least 800 W/m² should be installed. 600 W/m² is sufficient if the area has three walls. For enclosed areas, the output demand must be calculated. Optimum comfort is achieved if the heat is distributed from at least two directions.

Mounting

IHC is installed horizontally on walls with supplied bracket. The heater can be angled up to 45°. The heater can also be mounted on e.g. a parasol or a post, a suitable U-bolt (not included) is used for this together with the supplied console. For ceiling installation use ceiling bracket IHE (accessory). For other mounting alternatives, see accessories. For minimum distance, see diagrams on introductory pages.

1. Secure the bracket on the wall with at least 2 screws. If the keyhole slots are used, an addition screw is needed to fix the bracket. See the introduction pages.

2. Remove the screws fixed to the unit's back on delivery.
3. Hook the unit on the bracket.
4. Lock in position with the screws.

Connection

IHC is equipped with a 0.9 metre cord with plug for connection to an earthed outlet socket. The connection cord must not rest against the unit as the surface becomes hot or can be hit by thermal radiation. Contact an electrician if the cord needs to be changed. Note that due to the high temperatures in the heater, a cord of the type H05 RN-F 3G1 mm² or the like should be used. In the event of uncertainty contact an electrician.

Start-up

When the unit is used for the first time or after a long period of non-use, smoke or an odour may result from dust or dirt which has collected on the element. This is completely normal and disappears after a short time.

Replacing the lamp

The heat lamp is of the highest quality and unless it is subjected to mechanical strains in the form of vibrations and impact it will last for a long time. The service life is dependent on the ambient temperature and how the heater is installed. When the heater is installed freely and outdoors the temperature will be low and the life of the lamp can be expected to be in the region of 3000 hours. The lamp must be replaced by an installer or other skilled person.

1. Disconnect the power supply.
2. Wait until the unit is cold.
3. Remove the covers at both ends (four screws).
4. Pull the grille to one side.
5. Remove both reflector ends (two screws).
6. Loosen the connections on the terminal block.
7. Pull the lamp out of the lamp holders.
8. Check that the replacement lamp has the correct output and voltage.

9. Fit the new lamp. Note do not touch the lamp with your fingers, wear gloves or the like.
10. The protective tube must be refitted to the cables, so that the cables are not damaged when the grille is fitted.
11. Reassemble the unit again.
See the introduction pages.

Maintenance

The power supply to the unit must be disconnected during all service, repair and maintenance work. Wait until the unit is cold. The unit has no moving parts so the maintenance requirement is small, but it must be kept clean and free from dust and dirt. If the reflector is not clean the thermal radiation from the unit will decrease and the heater will become hotter. A large amount of dirt can cause overheating. The surface of the reflector is sensitive and must be cleaned with care. If the reflector is dirty it must be cleaned or replaced by a specialist.

Packaging

Packaging materials are chosen with consideration to the environment and are therefore recyclable.

Handling of product at end of working life

This product may contain substances necessary for the functionality of the product but potentially dangerous for the environment. The product should not be disposed of mixed with general household waste but delivered to a designated collection point for environmental recycling. Please contact the local authority for further details of your nearest designated collection point.

Safety

- *For all installations of electrically heated products a residual current circuit breaker 300 mA for fire protection should be used.*
- *The unit must not be fully or partially covered as overheating can result in a fire risk!*
- *The unit must not be placed directly under fixed wall sockets!*
- *The unit must not be used if the unit or the cord is damaged. Risk of injury!*
- *The heater is equipped with a protective grille to prevent contact or to prevent large objects from touching the hot lamp. The unit must not be used without this protective grille.*
- *The cable and plug must not be placed inside the hot radiant area.*
- *This appliance can be used by children aged from 8 years and above and persons with reduced physical, sensory or mental capabilities or lack of experience and knowledge if they have been given supervision or instruction concerning use of the appliance in a safe way and understand the hazards involved. Children shall not play with the appliance. Cleaning and user maintenance shall not be made by children without supervision.*
- *Children of less than 3 years should be kept away unless continuously supervised.*
- *Children aged from 3 years and less than 8 years shall only switch on/off the appliance provided that it has been placed or installed in its intended normal operating position and they have been given supervision or instruction concerning use of the appliance in a safe way and understand the hazards involved.*
- *Children aged from 3 years and less than 8 years shall not plug in, regulate and clean the appliance or perform user maintenance.*

CAUTION — Some parts of this product can become very hot and cause burns. Particular attention has to be given where children and vulnerable people are present.



Main office

Frico AB
Industrivägen 41
SE-433 61 Sävedalen
Sweden

Tel: +46 31 336 86 00

mailbox@frico.se

www.frico.net

**For latest updated information and information
about your local contact: www.frico.net**