

Original instructions

Infraduo IHD



EN ... 6

SE ... 8

FR ... 10

DE ... 12

NO ... 15

NL ... 17

ES ... 20

IT ... 22

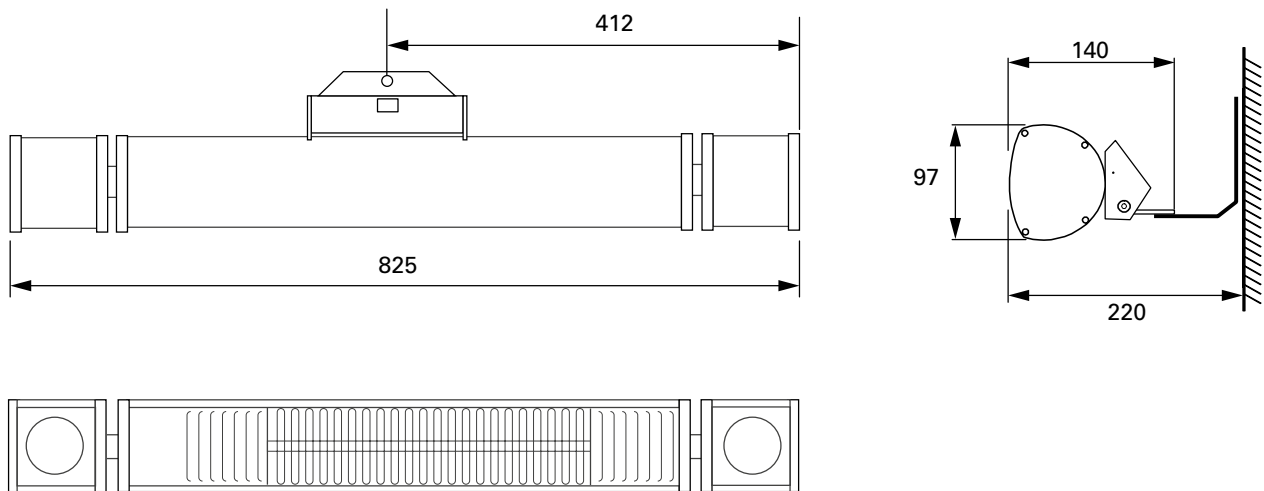
PL ... 24

RU ... 26

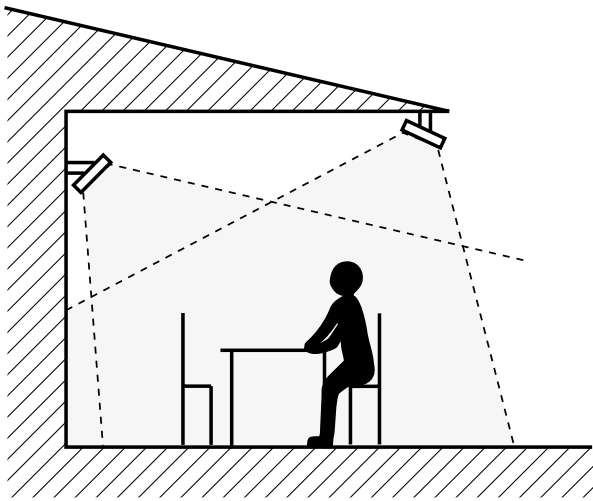
FI ... 28

Infraduo

Dimensions



Positioning



Installation height

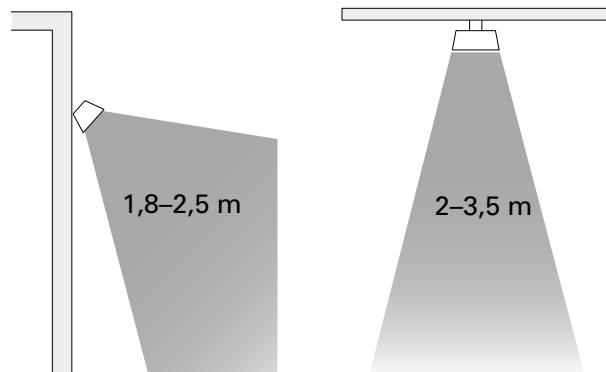


Fig.1: The heaters should heat from at least two directions for even heating

SE: För jämn uppvärmning bör infrorna värma från minst två håll.

NO: For jevn oppvarming bør infraene varme fra minst to sider.

DE: Für eine gleichmäßige Wärmeleistung sollten die Strahler aus mindestens zwei Richtungen heizen.

RU: Приборы должны располагаться по крайней мере с двух сторон от человека.

FR: Pour un chauffage uniforme, les émetteurs doivent chauffer dans au moins deux directions.

ES: Para garantizar una calefacción uniforme, deben colocarse de modo que el calor llegue desde al menos dos direcciones.

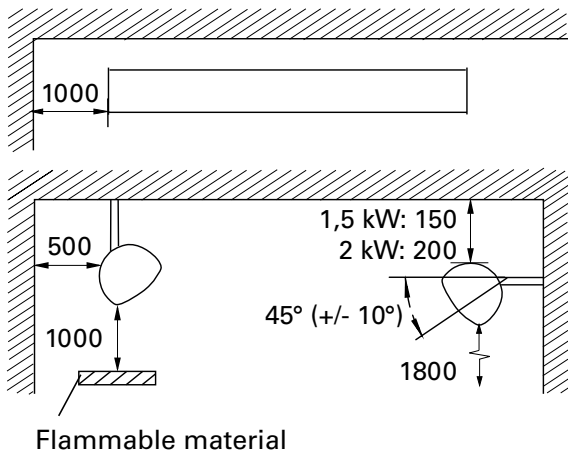
NL: De stralers moeten voor een gelijkmatige verwarming vanuit minimaal twee richtingen werken.

PL: Aby zapewnić równomierne ogrzewanie, ciepło powinno pochodzić co najmniej z dwóch kierunków.

IT: Per avere un riscaldamento uniforme, il calore deve provenire da almeno due direzioni.

FI: Tasaisen lämmityksen varmistamiseksi lämmittimien tulisi lämmittää vähintään kahdesta suunnasta.

Minimum mounting distance



SE: Minimiavstånd, Brännbart material
 NO: Minsteavstand, Brennbart materiale
 DE: Mindestabstand, Entflammbares Material
 RU: Минимальные расстояния при установке, Легковоспламеняемые материалы
 FR: Distances minimales, Matériau inflammable
 ES: Distancias mínimas, Material inflamable
 NL: Minimale afstand, Brandbaar materiaal
 PL: Minimalne odległości, Materiał łatwopalny
 IT: Distanze minime, Materiali infiammabili
 FI: Minimietäisyydet, Tulenarka materiaali

Accessories

92865	KLS1KS	
92847	BCDF20	
16975	IHXH*	
16976	IHXL*	
153374	IHG1650SL	1650W
153371	IHG2000SL	2000W

*) See separate manual.



Controls

92867	IHBD3*
10740	CBT

*) See separate manual.



*)

SE: Se separat manual.
 NO: Se egen håndbok
 DE: Siehe separates Handbuch.
 RU: См. отдельную инструкцию.
 FR: Consultez la notice associée
 ES: Consulte el manual correspondi
 NL: Zie aparte handleiding.
 PL: Patrz oddzielna instrukcja.
 IT: Vedere il manuale specifico.
 FI: Katso erillinen käyttöohje.

Technical specifications

Infraduo (IP65)

Item number	Type	Heat output [W]	Voltage [V]	Amperage [A]	Max. filament temperature [°C]	Length [mm]	Weight [kg]
92836	IHD15	1650	230V~	7,2	1800	825	3,4
92837	IHD20	2000	230V~	8,7	1800	825	3,4



EN: Heat output

SE: Värmeeffekt
 NO: Varmeeffekt
 DE: Heizleistung
 RU: Тепловая мощность
 FR: Puissance
 ES: Potencia calorífica
 NL: Verwarmingscapaciteit
 PL: Moc grzewcza
 IT: Potenza termica
 FI: Lämmitys teho

EN: Max. filament temperature

SE: Maximal glödtrådstemperatur
 NO: Maksimal glødetrådtemperatur
 DE: Max. Heizfadentemperatur
 RU: Макс. t нити накала
 FR: Température max. du filament
 ES: Temperatura máx. del filamento
 NL: Max. gloeidraadtemperatuur
 PL: Maks. temperatura żarnika
 IT: Temperatura max. filamento
 FI: Suurin hehkulangan lämpötila

EN: Voltage

SE: Spänning
 NO: Spenning
 DE: Spannung
 RU: Напряжение
 FR: Tension
 ES: Tensión
 NL: Voltage
 PL: Napięcie
 IT: Tensione
 FI: Jännite

EN: Length

SE: Längd
 NO: Lengde
 DE: Länge
 RU: Длина
 FR: Longueur
 ES: Longitud
 NL: Lengte
 PL: Długość
 IT: Lunghezza
 FI: Pituus

EN: Amperage

SE: Ström
 NO: Strøm
 DE: Stromstärke
 RU: Сила тока
 FR: Intensité
 ES: Intensidad
 NL: Stroomsterkte
 PL: Natężenie prądu
 IT: Corrente
 FI: Virta

EN: Weight

SE: Vikt
 NO: Vekt
 DE: Gewicht
 RU: Вес
 FR: Poids
 ES: Peso
 NL: Gewicht
 PL: Masa
 IT: Peso
 FI: Paino

Installation and operating instructions

General Instructions

Read these instructions carefully before installation and use. Keep this manual for future reference.

The product may only be used as set out in the assembly and operating instructions. The guarantee is only valid if the product is used in the manner intended and in accordance with the instructions.

Application

Infraduo IHD is a halogen infrared heater incorporating LED spotlights at each end, making it very practical for all situations where both heating and light is required. The LED spotlights can be rotated through 180° and are controlled separately from the heating.

Protection class: IP65.

Positioning

The heaters must be placed so that they cover the area to be heated, see fig. 1. The normal mounting height is 2–3 metres above the ground/floor. A rule of thumb for infrared heaters is that 600–800 W/m² increases the experienced temperature by about 10 °C. The output demand can be reduced if the area to be heated is protected. If the area only has a roof, at least 800 W/m² should be installed. 600 W/m² is sufficient if the area has three walls. For enclosed areas, the output demand must be calculated. Optimum comfort is achieved if the heat is distributed from at least two directions.

Mounting

IHD is installed horizontally on walls with supplied bracket. For other mounting alternatives, e.g. in the ceiling, on a floor stand, under a parasol or awning, see accessories. For minimum distances, see diagrams on introductory pages.

Connection

IHD is intended for permanent installation. The installation, which should be preceded by an omnipolar switch with a contact separation of at least 3 mm, should only be wired by a

competent electrician and in accordance with the latest edition of IEE wiring regulations. IHD is equipped with a 1.9 metre 5-core cable (1,5 mm²) without plug. Heating and lights are controlled individually. See wiring diagrams.

Start-up

When the unit is used for the first time or after a long period of disuse, smoke or odour may result from dust or dirt that has collected on the element. This is completely normal and disappears after a short time.

Replacing the lamp

The heat lamp is of the highest quality and unless it is subjected to mechanical strains in the form of vibrations and impact it will last for a long time. The service life is dependent on the ambient temperature and how the heater is installed. When the heater is installed freely and outdoors the temperature will be low and the life of the lamp longer.

The lamp must be replaced by an installer or other skilled person.

1. Disconnect the power supply.
2. Wait until the unit is cold.
3. Check that the replacement lamp has the correct output and voltage.
4. Fit the new lamp. Note do not touch the lamp with your fingers, wear gloves or the like.
5. The protective tube must be refitted to the cables, so that the cables are not damaged when the grille is fitted.
6. Reassemble the unit again.

Maintenance

The power supply to the unit must be disconnected during all service, repair and maintenance work.

The unit has no moving parts so the maintenance requirement is small, but it must be kept clean and free from dust and dirt. If the reflector is not clean the thermal radiation from the unit will decrease and the heater will become hotter. A large amount of dirt can cause overheating.

The surface of the reflector is sensitive and must be cleaned with care. If the reflector is dirty it must be cleaned or replaced by a specialist.

Residual current circuit breaker

When the installation is protected by means of a residual current circuit breaker, which trips when the appliance is connected, this may be due to moisture in the heating element. When an appliance containing a heater element has not been used for a long period or stored in a damp environment, moisture can enter the element.

This should not be seen as a fault, but is simply rectified by connecting the appliance to the main supply via a socket without a safety cut-out, so that the moisture can be eliminated from the element. The drying time can vary from a few hours to a few days. As a preventive measure, the unit should occasionally be run for a short time when it is not being used for extended periods of time.

Packaging

Packaging materials are chosen with consideration to environment and are therefore recyclable.

Handling of product at end of working life

This product may contain substances necessary for functionality of product but potentially dangerous for the environment. The product should not be disposed mixed with general household waste but delivered to a designated collection point for environmental recycling. Please contact local authority for further details of your nearest designated collection point.

Safety

- *For all installations of electrically heated products should a residual current circuit breaker 300 mA for fire protection be used.*
- *The unit must not be fully or partially covered as overheating can result in a fire risk!*
- *The unit must not be placed directly under fixed wall sockets!*
- *The unit must not be used if the unit or the cord is damaged. Risk of injury!*
- *The heater is equipped with a protective grille to prevent contact or to prevent large objects from touching the hot lamp. The unit must not be used without this protective grille.*
- *The cable and plug must not be placed inside the hot radiant area.*
- *This appliance can be used by children aged from 8 years and above and persons with reduced physical, sensory or mental capabilities or lack of experience and knowledge if they have been given supervision or instruction concerning use of the appliance in a safe way and understand the hazards involved. Children shall not play with the appliance. Cleaning and user maintenance shall not be made by children without supervision.*
- *Children of less than 3 years should be kept away unless continuously supervised.*
- *Children aged from 3 years and less than 8 years shall only switch on/off the appliance provided that it has been placed or installed in its intended normal operating position and they have been given supervision or instruction concerning use of the appliance in a safe way and understand the hazards involved.*
- *Children aged from 3 years and less than 8 years shall not plug in, regulate and clean the appliance or perform user maintenance.*

CAUTION — Some parts of this product can become very hot and cause burns. Particular attention has to be given where children and vulnerable people are present.



Main office

Frico AB

Industrivägen 41

SE-433 61 Sävedalen

Sweden

Tel: +46 31 336 86 00

mailbox@frico.se

www.frico.net

**For latest updated information and information
about your local contact: www.frico.net.**