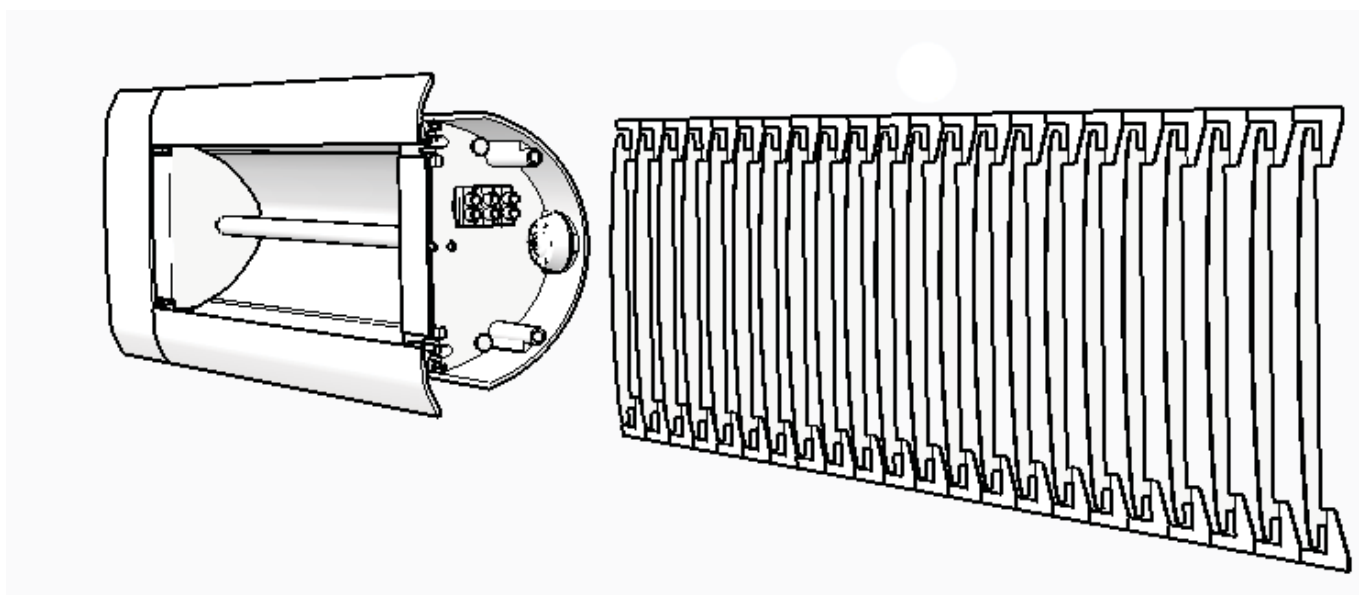


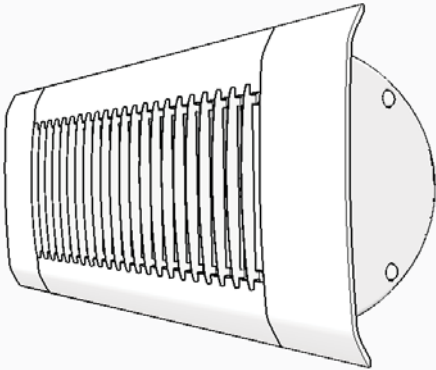
Original instructions

Replacement of grid - IH

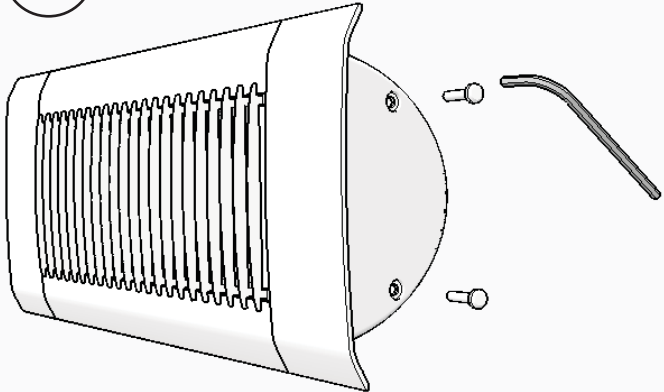


Replacement of grid - IH

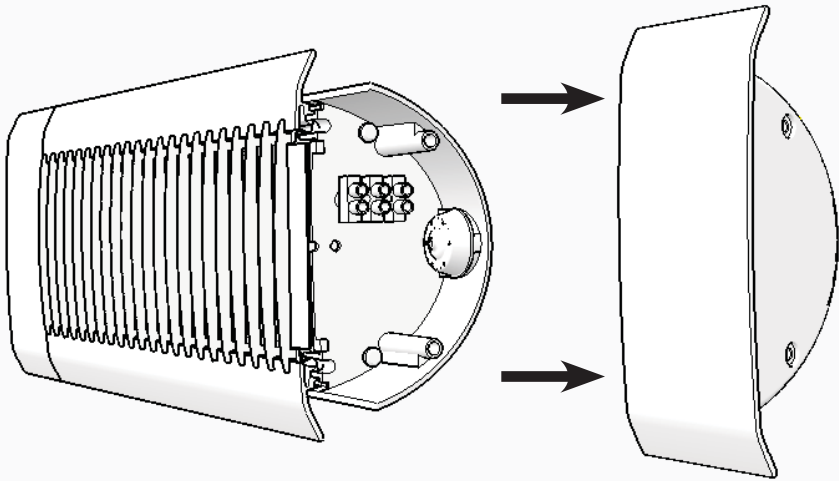
1



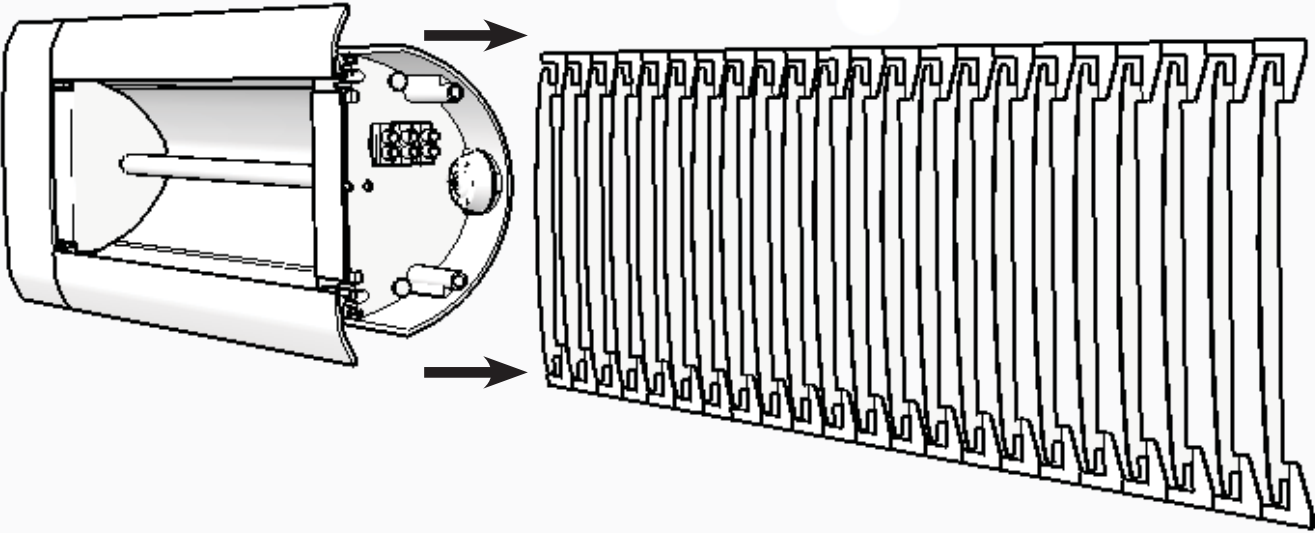
2



3

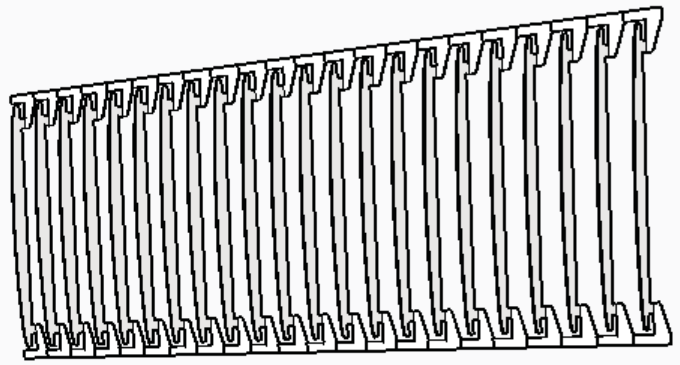
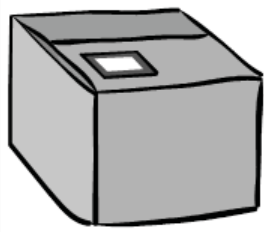


4

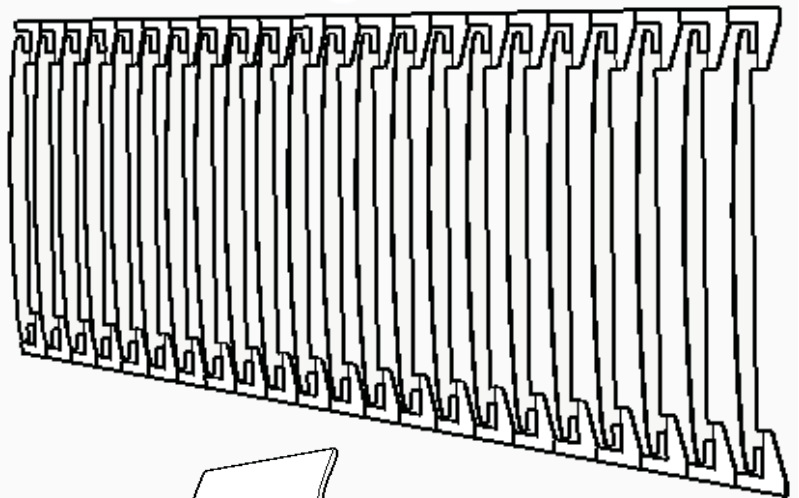
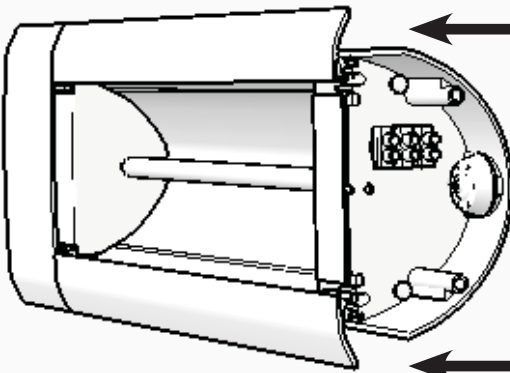


Replacement of grid - IH

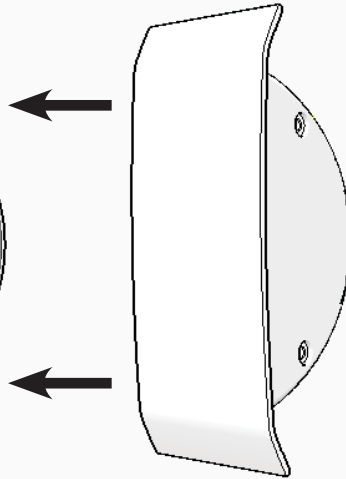
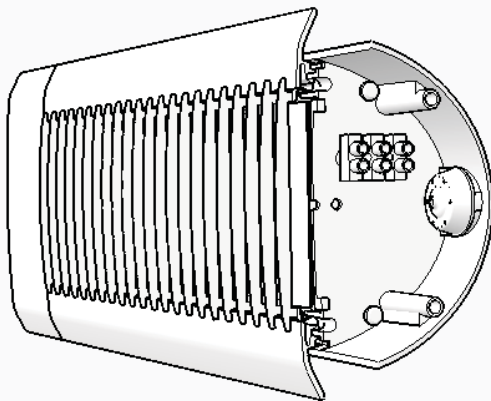
5



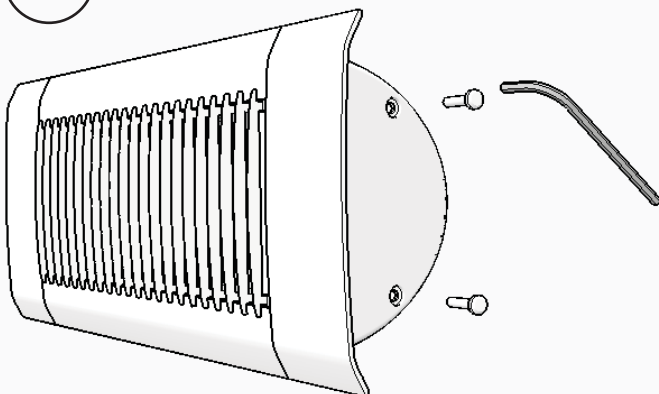
6



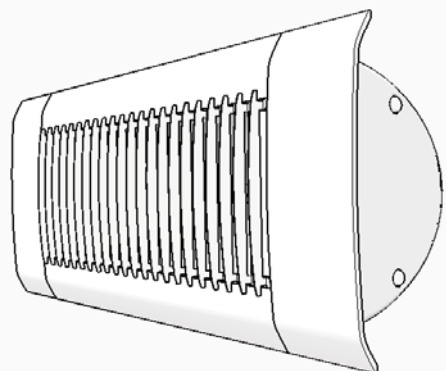
7



8



9



Main office

Frico AB
Box 102
SE-433 22 Partille
Sweden

Tel: +46 31 336 86 00
Fax: +46 31 26 28 25
mailbox@frico.se
www.frico.se

**For latest updated information and information
about your local contact: www.frico.se**