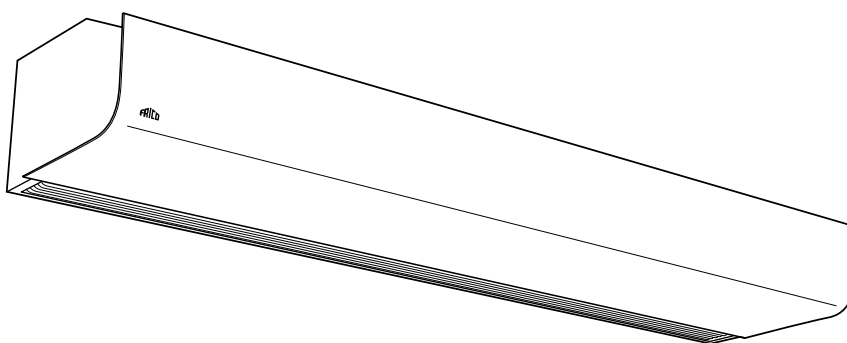


Original instructions

## PA2500



SE ... 20

GB ... 25

DE ... 29

ES ... 34

FR ... 39

IT ... 44

NL ... 49

NO ... 54

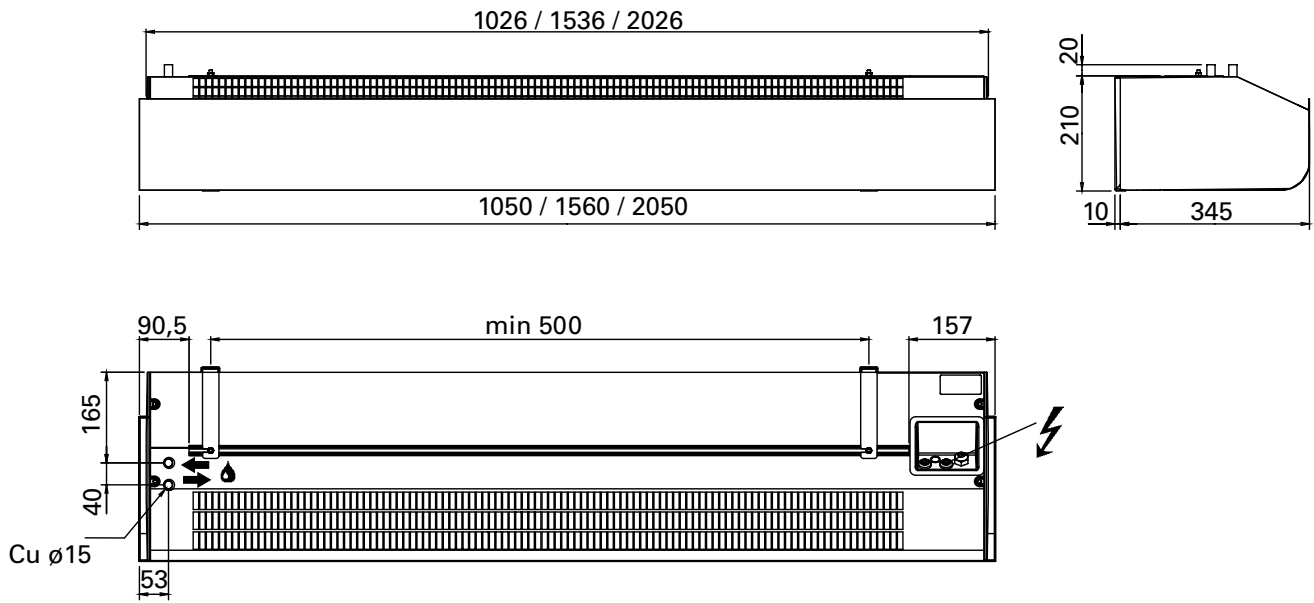
PL ... 59

RU ... 64

- SE** Introduktionssidorna består huvudsakligen av bilder. För översättning av de engelska texter som används, se respektive språksidor.
- GB** The introduction pages consist mainly of pictures. For translation of the English texts used, see the respective language pages.
- NO** Introduksjonssidene består hovedsakelig av bilder. For oversettelse av de engelske tekstene, se de respektive språksidene
- FR** Les pages de présentation contiennent principalement des images. Consulter la page correspondant à la langue souhaitée.
- DE** Die Einleitungsseiten bestehen hauptsächlich aus Bildern. Für die Übersetzung der verwendeten Texte in englischer Sprache, siehe die entsprechenden Sprachseiten.
- ES** Las páginas introductorias contienen básicamente imágenes. Consulte la traducción de los textos en inglés que las acompañan en las páginas del idioma correspondiente.
- NL** De inleidende pagina's bevatten hoofdzakelijk afbeeldingen. Voor een vertaling van de gebruikte Engelse teksten, zie de pagina's van de resp. taal.
- IT** Le pagine introduttive contengono prevalentemente immagini. Per le traduzioni dei testi scritti in inglese, vedere le pagine nelle diverse lingue.
- PL** Początkowe strony zawierają głównie rysunki. Tłumaczenie wykorzystanych tekstów angielskich znajduje się na odpowiednich stronach językowych.
- RU** Страницы в начале Инструкции состоят в основном из рисунков, схем и таблиц. Перевод встречающегося там текста приведен в разделе RU.

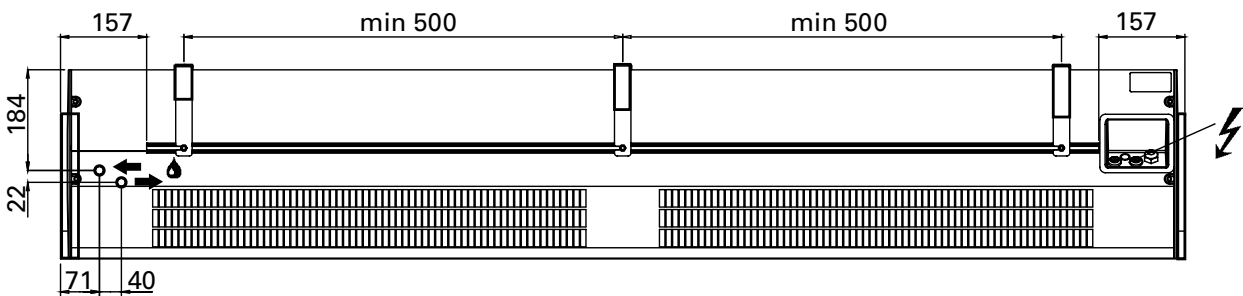
# PA2500

## PA2500



2 m

PA2500A PA2500W



PA2500E

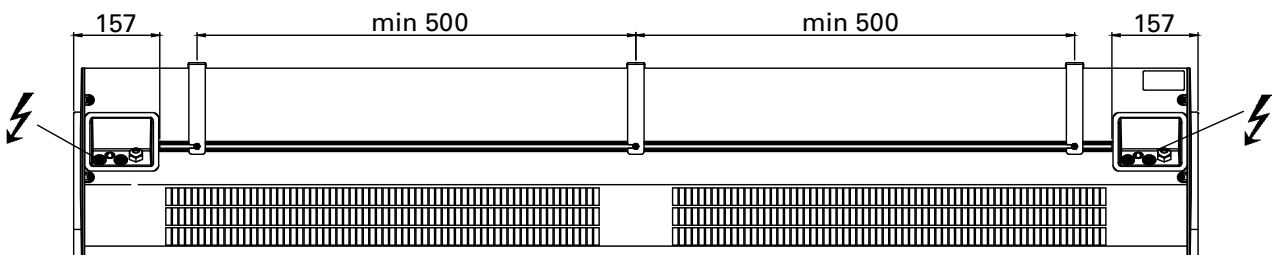


Fig.1

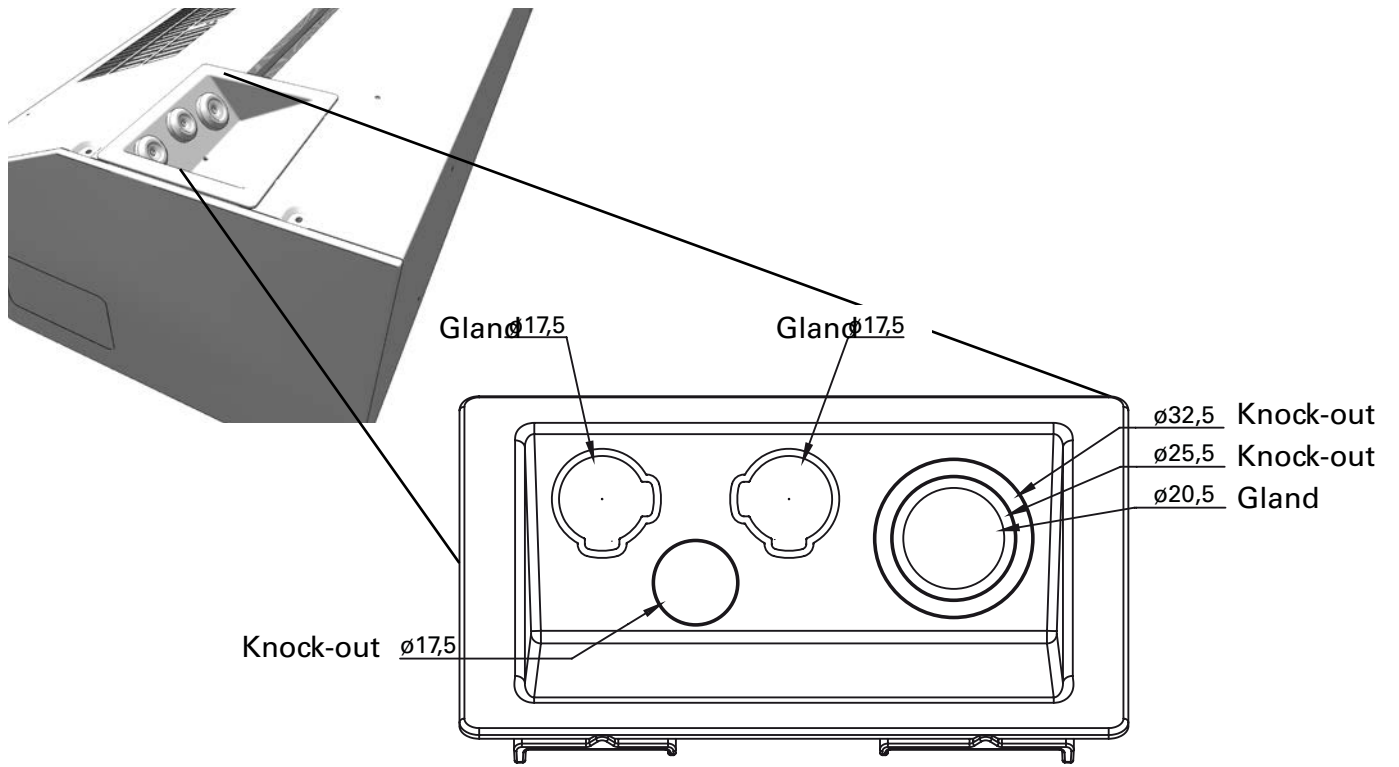


Fig.2

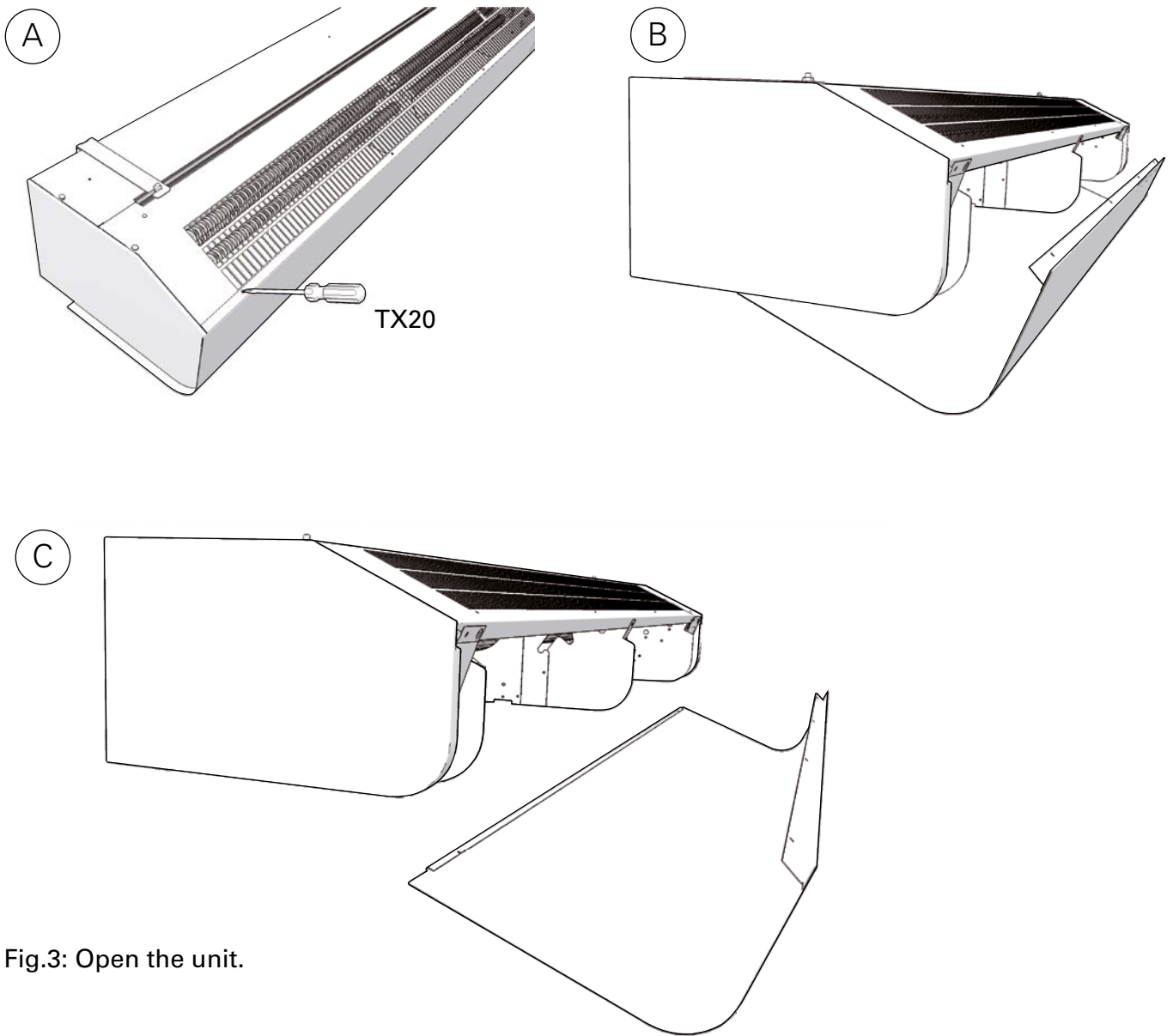


Fig.3: Open the unit.

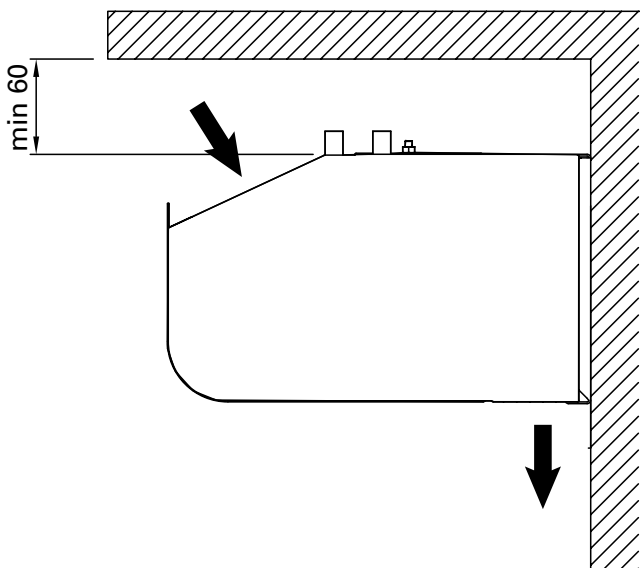
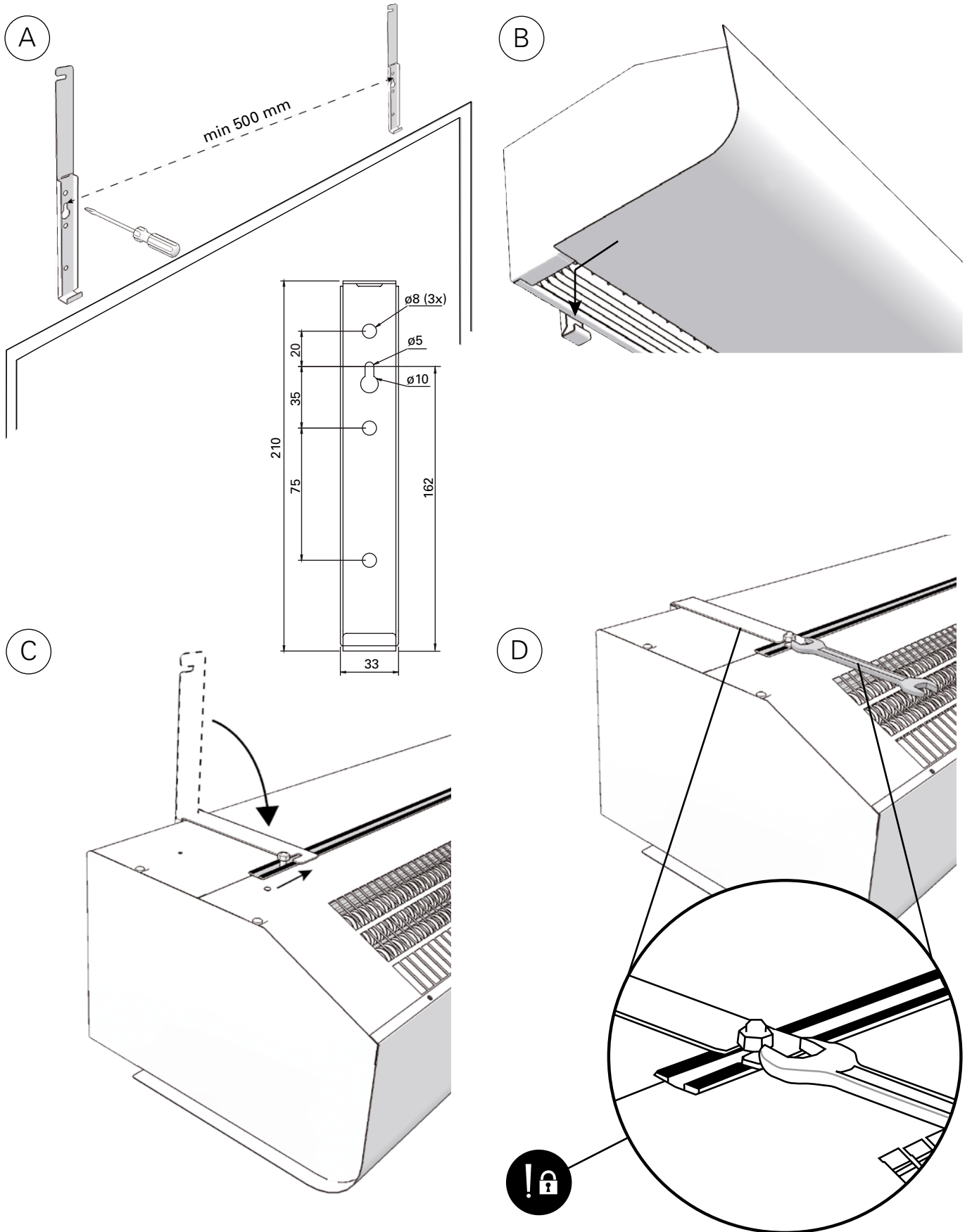


Fig.4: Minimum distance.

Mounting with wall brackets



PA2510	2 pcs
PA2515	2 pcs
PA2520	3 pcs

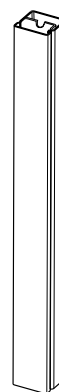
Fig. 6: Mounting with wall brackets

## Accessories

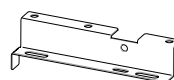
<b>PA34TR15</b>	PA2510, PA2515, 1 m
<b>PA34TR20</b>	PA2520, 1 m
<b>PA2P15</b>	PA2510, PA2515, 1 m
<b>PA2P20</b>	PA2520, 1 m
<b>PA2PF15</b>	PA2510, PA2515
<b>PA2PF20</b>	PA2520
<b>PAMLK</b>	PA2500
<b>PA2EF10</b>	PA2510W
<b>PA2EF15</b>	PA2515W
<b>PA2EF20</b>	PA2520W
<b>PAWAK</b>	PA2500W
<b>FHDN15</b>	PA2500W



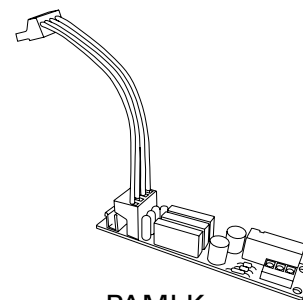
PA34TR



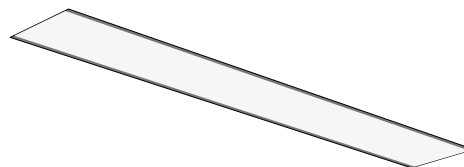
PA2P



PA2PF



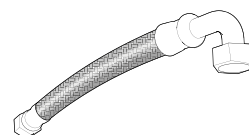
PAMLK



PA2EF



PAWAK

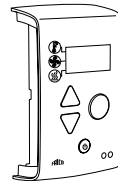


FHDN15

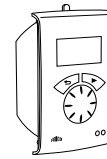
# Accessories

## SIRe

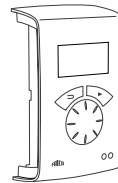
<b>SIReB</b>	
<b>SIReAC</b>	
<b>SIReAA</b>	
<b>SIReRTX</b>	70x33x23 mm
<b>SIReUR</b>	114x70x50 mm
<b>SIReWTA</b>	
<b>SIReCJ4</b>	
<b>SIReCJ6</b>	
<b>SIReCC603</b>	3 m
<b>SIReCC605</b>	5 m
<b>SIReCC610</b>	10 m
<b>SIReCC615</b>	15 m
<b>SIReCC640</b>	40 m
<b>SIReCC403</b>	3 m
<b>SIReCC405</b>	5 m
<b>SIReCC410</b>	10 m
<b>SIReCC415</b>	15 m



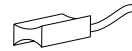
SIReB



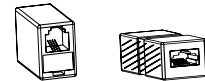
SIReUR



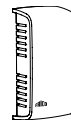
SIReAC/SIReAA



SIReWTA



SIReCJ4/SIReCJ6



SIReRTX



SIReCC



<b>VKF15LF</b>	DN15
<b>VKF15NF</b>	DN15
<b>VKF20</b>	DN20
<b>VKF25</b>	DN25
<b>VKF32</b>	DN32
<b>SD230</b>	
<b>BPV10</b>	
<b>SDM24</b>	
<b>ST23024</b>	

**VLSP**

**VKF**

**SD230**      **BPV10**

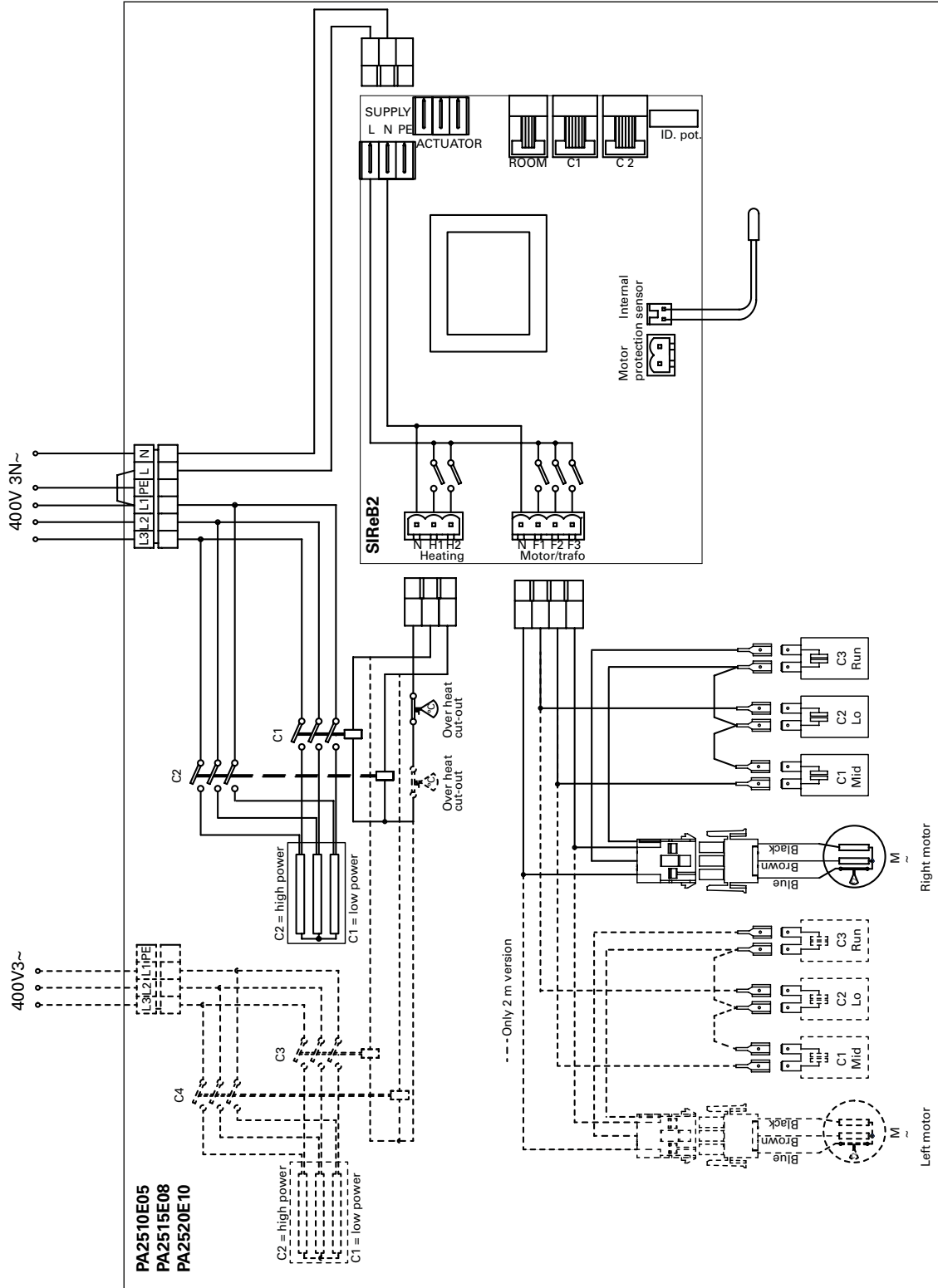
**VLP**

**VKF**

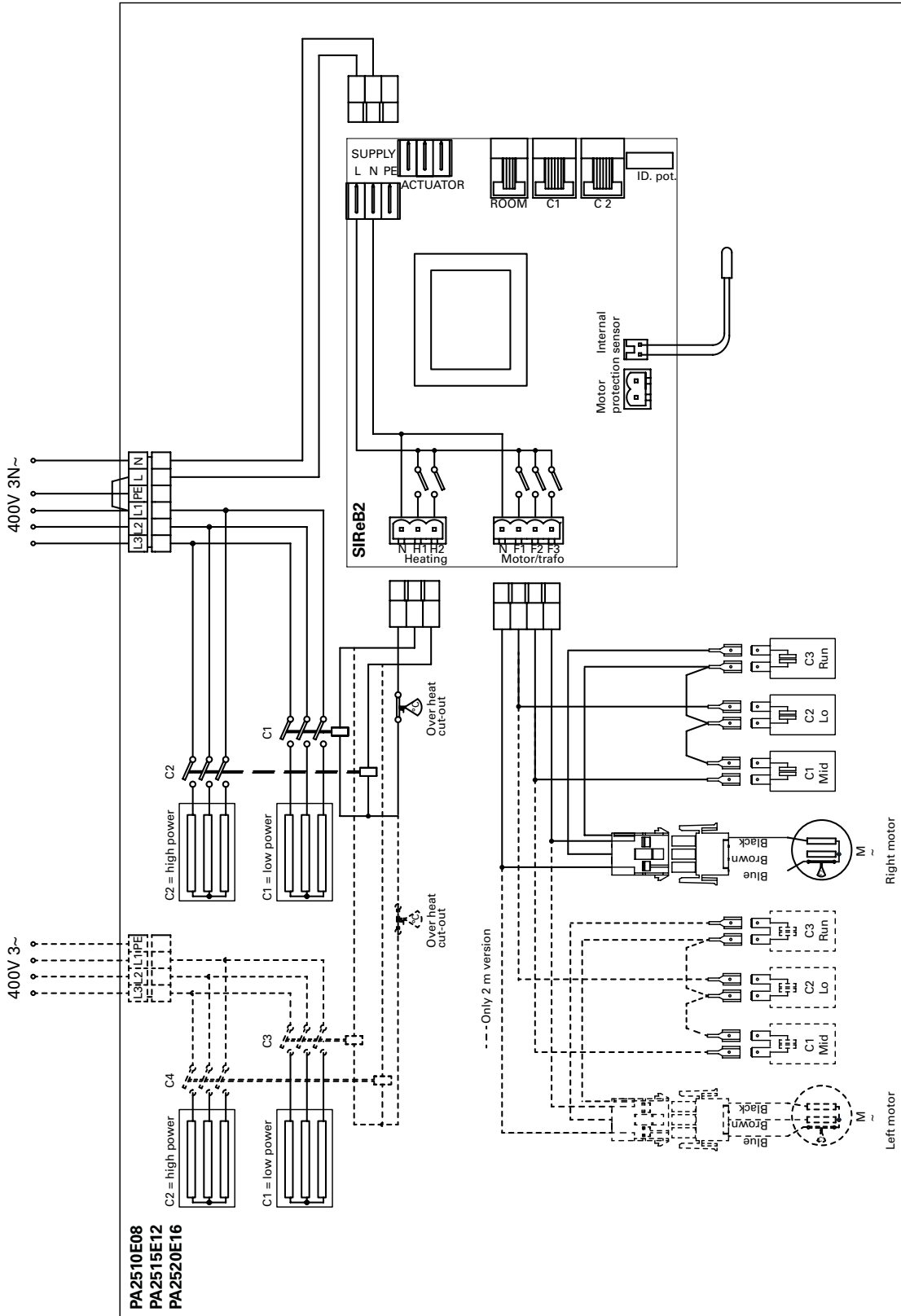
**SDM24**      **ST23024**



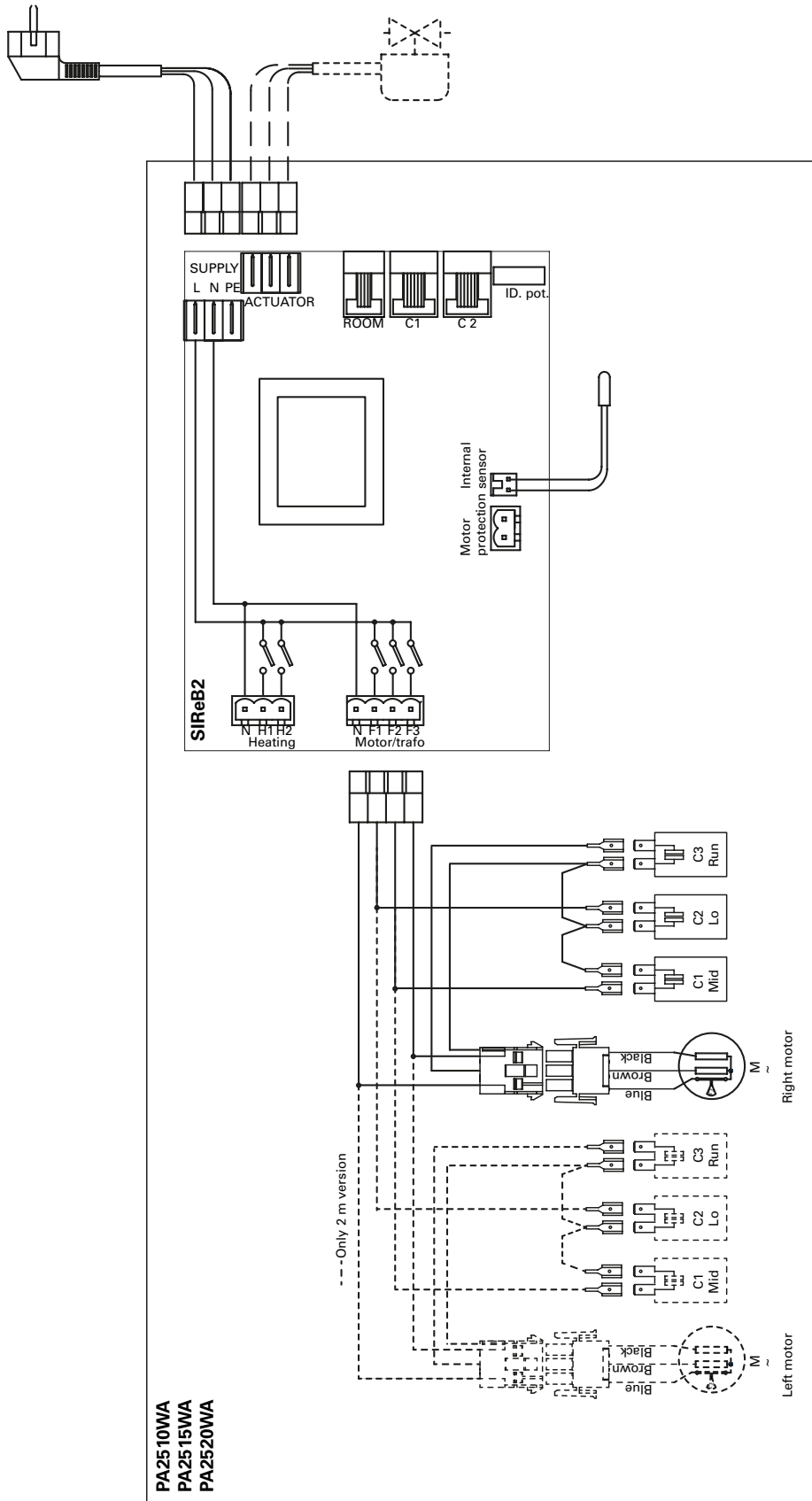
PA2510E05 / PA2515E08 / PA2520E10



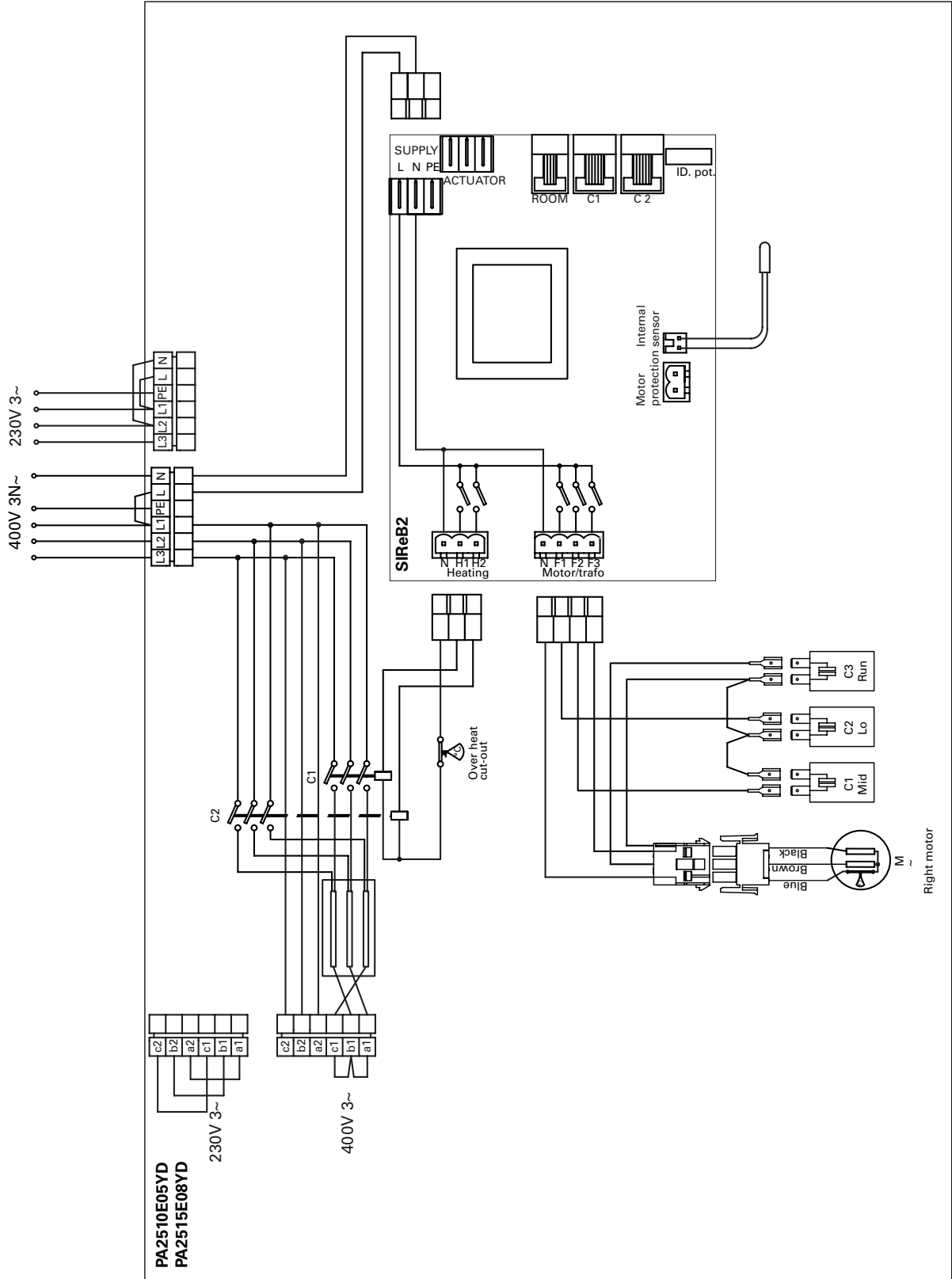
PA2510E08 / PA2515E12 / PA2520E16



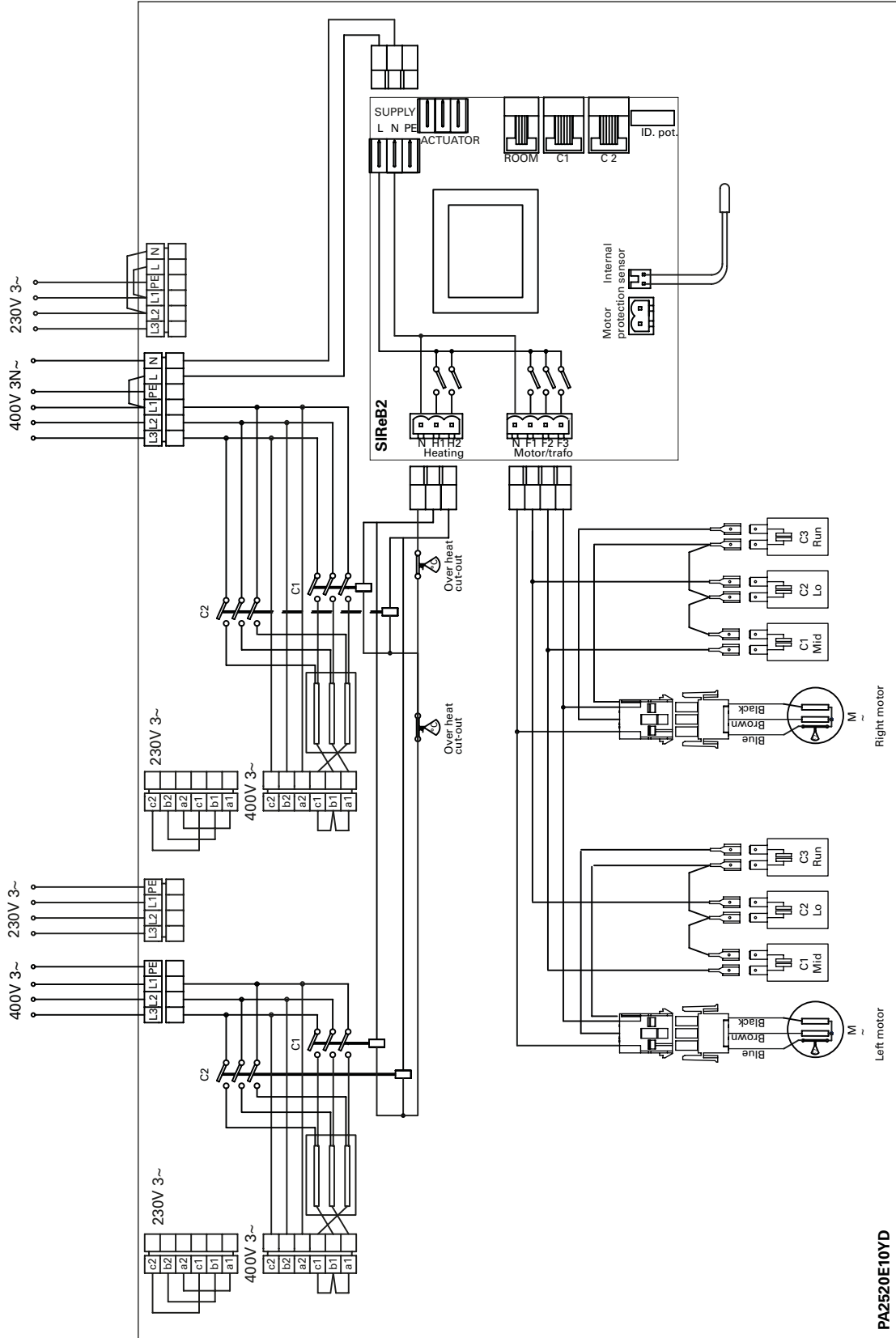
PA2510A / PA2515A / PA2520A  
 PA2510W / PA2515W / PA2520W



PA2510E05YD / PA2515E08YD

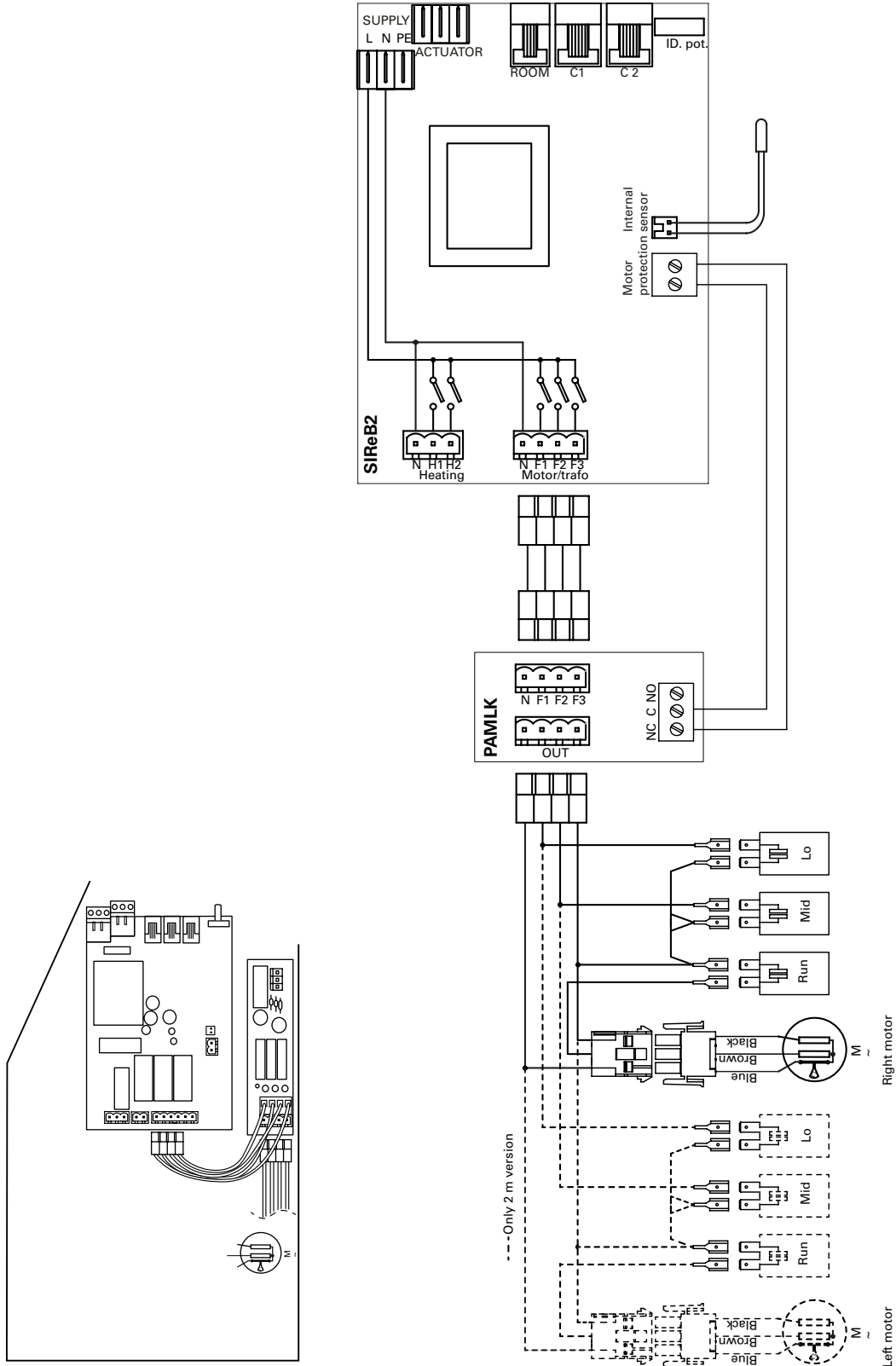


PA2520E10YD



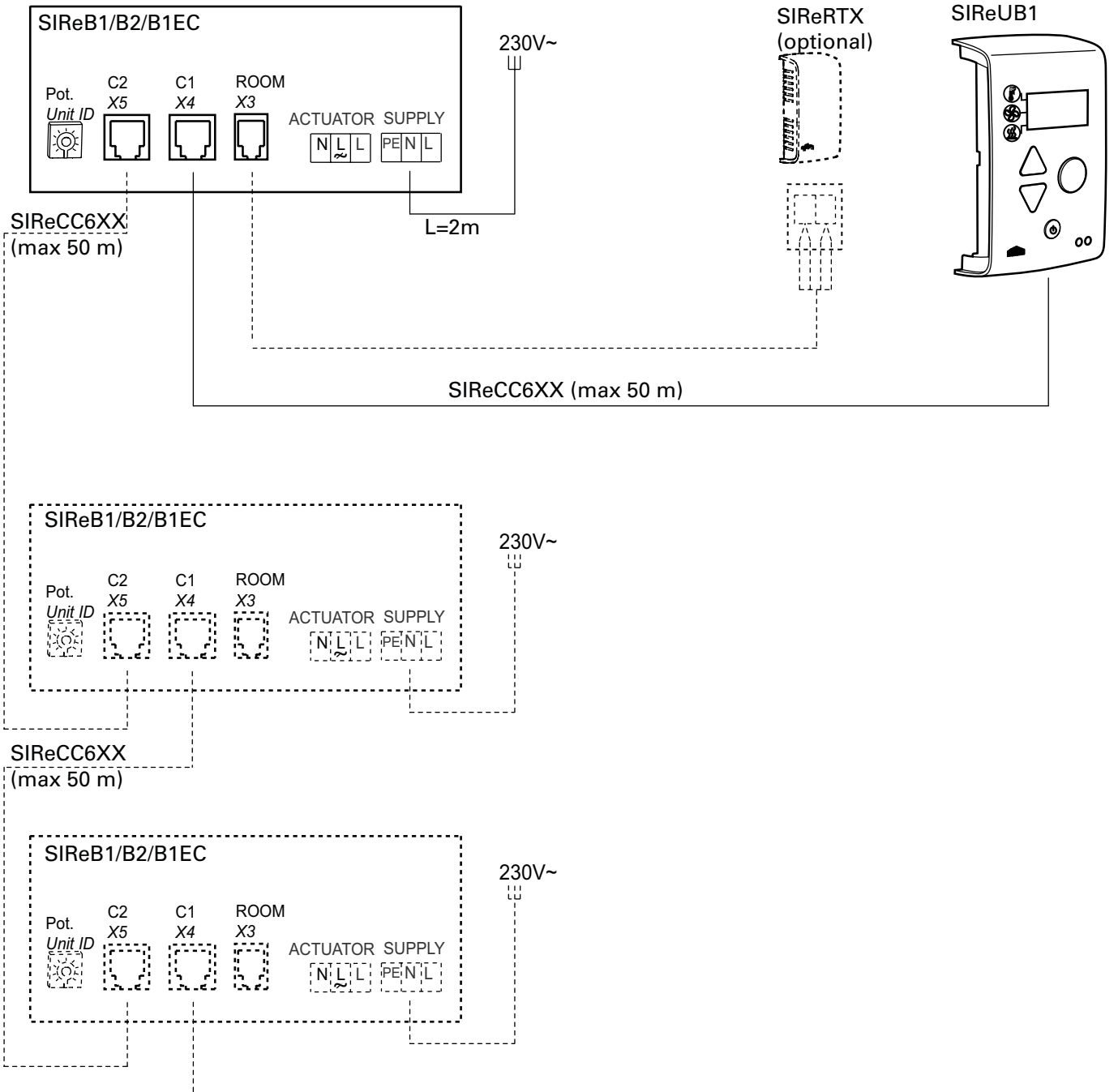
PA2520E10YD

PAMLK, motor alarm board



**SIReB Basic**

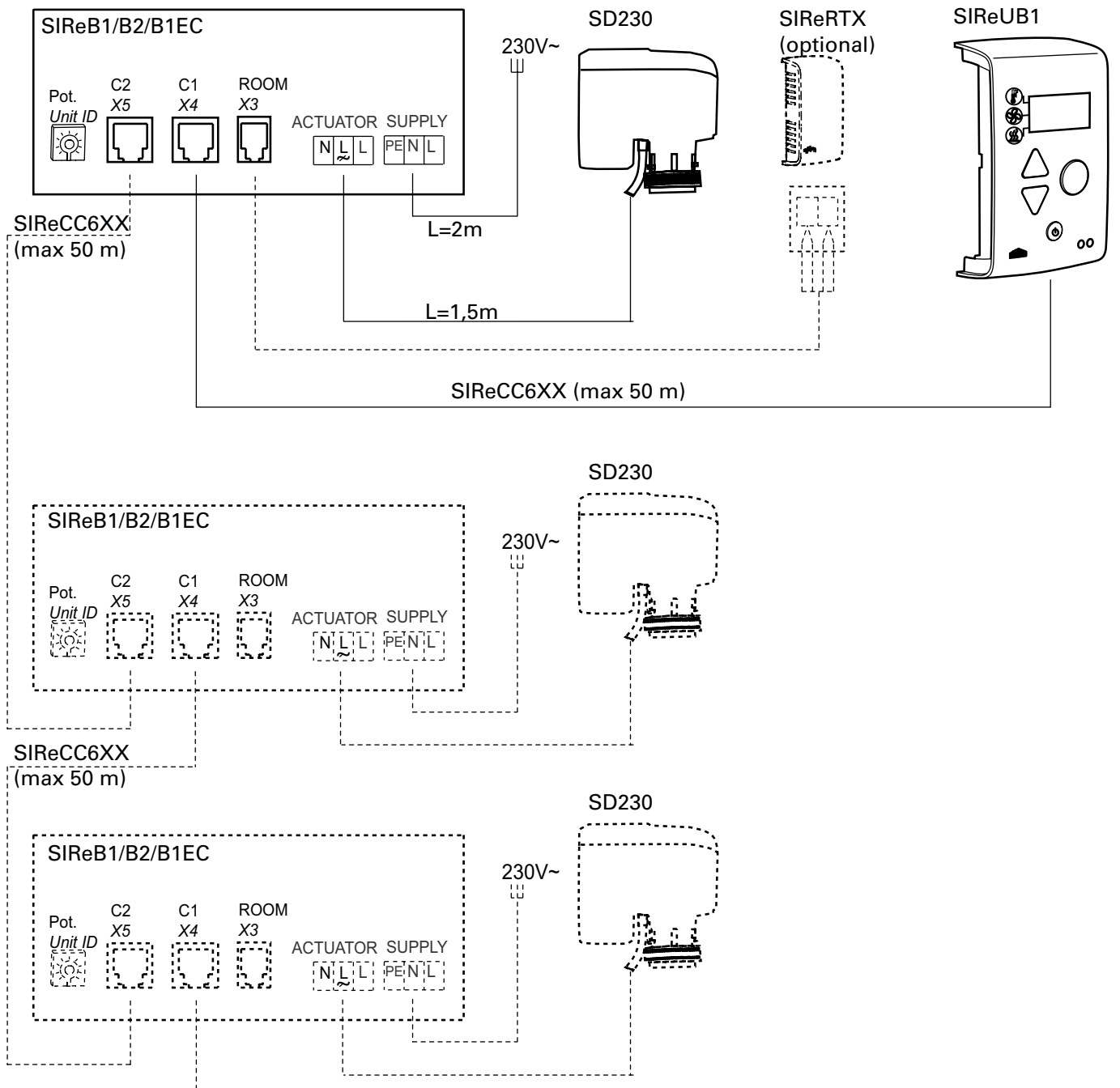
**PA2500 A  
PA2500 E**



**Wiring diagrams for SIReAC Competent and SIReAA Advanced, see manuals for SIRe.**

**SIReB Basic**

**PA2500 W**





# PA2500

## Output charts water PA2500

			Supply water temperature:110 °C Room temperature: +18 °C Outlet air temperature: +35 °C*1				Water temperature: 110/80 °C Room temperature: +18 °C			
Type	Fan position	Airflow [m³/h]	Output [kW]	Return water temp. [°C]	Water flow [l/s]	Pressure drop [kPa]	Output *2 [kW]	Outlet air temp. [°C]	Water flow [l/s]	Pressure drop [kPa]
PA2510W	Max	1300	7,4	47,0	0,03	0,3	13,3	48,1	0,11	3,3
	Min	900	5,3	46,0	0,02	0,2	10,6	52,8	0,09	2,2
PA2515W	Max	2100	12,5	39,0	0,04	0,9	24,4	52,2	0,20	13,3
	Min	1250	7,4	34,0	0,02	0,3	17,6	59,4	0,15	7,4
PA2520W	Max	2600	15,0	36,0	0,05	1,5	30,1	52,0	0,25	23,6
	Min	1800	10,2	32,0	0,03	0,7	23,9	57,0	0,20	15,6

			Supply water temperature:90 °C Room temperature: +18 °C Outlet air temperature: +35 °C*1				Water temperature: 90/70 °C Room temperature: +18 °C			
Type	Fan position	Airflow [m³/h]	Output [kW]	Return water temp. [°C]	Water flow [l/s]	Pressure drop [kPa]	Output *2 [kW]	Outlet air temp. [°C]	Water flow [l/s]	Pressure drop [kPa]
PA2510W	Max	1300	7,4	50,0	0,04	0,7	10,8	42,5	0,13	4,8
	Min	900	5,2	46,0	0,03	0,4	8,7	46,3	0,11	3,2
PA2515W	Max	2100	12,5	43,0	0,07	1,9	19,8	45,8	0,24	19,6
	Min	1250	7,2	36,0	0,03	0,6	14,3	51,5	0,18	10,8
PA2520W	Max	2600	15,1	41,0	0,08	3,1	24,4	45,6	0,30	34,6
	Min	1800	10,6	36,0	0,05	1,5	19,3	49,6	0,24	22,8

			Supply water temperature:80 °C Room temperature: +18 °C Outlet air temperature: +35 °C*1				Water temperature: 80/60 °C Room temperature: +18 °C			
Type	Fan position	Airflow [m³/h]	Output [kW]	Return water temp. [°C]	Water flow [l/s]	Pressure drop [kPa]	Output *2 [kW]	Outlet air temp. [°C]	Water flow [l/s]	Pressure drop [kPa]
PA2510W	Max	1300	7,4	52,0	0,07	1,4	8,8	38,0	0,11	3,4
	Min	900	5,2	47,0	0,04	0,6	7,0	41,0	0,09	2,3
PA2515W	Max	2100	12,0	44,0	0,08	3,0	16,3	40,8	0,20	14,1
	Min	1250	7,3	38,0	0,04	1,0	11,7	45,6	0,14	7,8
PA2520W	Max	2600	15,2	44,0	0,10	5,5	20,1	40,8	0,25	25,0
	Min	1800	10,4	38,0	0,06	2,2	16,0	44,1	0,20	16,5

			Supply water temperature:70 °C Room temperature: +18 °C Outlet air temperature: +35 °C*1				Water temperature: 70/50 °C Room temperature: +18 °C			
Type	Fan position	Airflow [m³/h]	Output [kW]	Return water temp. [°C]	Water flow [l/s]	Pressure drop [kPa]	Output *2 [kW]	Outlet air temp. [°C]	Water flow [l/s]	Pressure drop [kPa]
PA2510W	Max	1300	7,4	54,0	0,11	3,7	6,8	33,4	0,08	2,2
	Min	900	5,3	49,0	0,06	1,3	5,4	35,7	0,07	1,5
PA2515W	Max	2100	12,0	47,0	0,13	6,7	12,8	35,9	0,16	9,3
	Min	1250	7,3	41,0	0,06	1,8	9,2	39,6	0,11	5,2
PA2520W	Max	2600	15,0	47,0	0,16	12,1	15,8	35,9	0,19	16,7
	Min	1800	10,3	41,0	0,09	4,1	12,6	38,5	0,15	11,1

\*1) Recommended outlet air temperature for good comfort and optimized output.

\*2) Nominal output at given supply and return water temperature.

## PA2500

### Output charts water PA2500

			Supply water temperature: 60 °C Room temperature: +18 °C Outlet air temperature: +32 °C				Water temperature: 60/40 °C Room temperature: +18 °C			
Type	Fan position	Airflow	Output	Return water temp.	Water flow	Pressure drop	Output *2	Outlet air temp.	Water flow	Pressure drop
		[m <sup>3</sup> /h]								
PA2510W	Max	1300	6,4	50,0	0,16	7,1	4,7	28,6	0,06	1,2
	Min	900	4,5	45,0	0,07	1,8	3,7	30,0	0,05	0,8
PA2515W	Max	2100	10,5	45,0	0,17	11,3	9,2	30,8	0,11	5,4
	Min	1250	6,6	40,0	0,08	3,0	6,6	33,5	0,08	3,0
PA2520W	Max	2600	13,1	45,0	0,21	20,3	11,5	31,0	0,14	9,8
	Min	1800	9,1	40,0	0,11	6,5	9,1	32,9	0,11	6,5

			Supply water temperature: 55°C Room temperature: +18 °C Outlet air temperature: +29 °C				Water temperature: 55/35°C Room temperature: +18 °C			
Type	Fan position	Airflow	Output	Return water temp.	Water flow	Pressure drop	Output *2	Outlet air temp.	Water flow	Pressure drop
		[m <sup>3</sup> /h]								
PA2510W	Max	1300	6,4	50,0	0,34	29,3	3,5	25,9	0,04	0,7
	Min	900	4,2	44,0	0,09	2,7	2,6	26,6	0,03	0,5
PA2515W	Max	2100	10,3	46,0	0,28	27,5	7,3	28,2	0,09	3,7
	Min	1250	6,1	39,0	0,09	4,1	5,2	30,3	0,06	2,1
PA2520W	Max	2600	12,7	46,0	0,34	48,7	9,3	28,5	0,11	6,9
	Min	1800	8,5	39,0	0,13	8,8	7,4	30,0	0,09	4,6

\*1) Recommended outlet air temperature for good comfort and optimized output.

\*2) Nominal output at given supply and return water temperature.

See [www.frico.se](http://www.frico.se) for additional calculations.

## Technical specifications

Voltage motor: 230V~

### ✦ Ambient, no heat - PA2500 A

Type	Output [kW]	Airflow*1 [m <sup>3</sup> /h]	Sound power*2 [dB(A)]	Sound pressure*3 [dB(A)]	Voltage motor [V]	Amperage motor [A]	Length [mm]	Weight [kg]
PA2510A	0	900/1300	70	43/53	230V~	0,5	1050	16
PA2515A	0	1250/2100	71	44/54	230V~	0,7	1560	23,5
PA2520A	0	1800/2600	72	44/55	230V~	1,0	2050	32

### ⚡ Electrical heat - PA2500 E

Type	Output steps [kW]	Airflow*1 [m <sup>3</sup> /h]	$\Delta t^4$ [°C]	Sound power*2 [dB(A)]	Sound pressure*3 [dB(A)]	Amperage motor [A]	Voltage [V] Amperage [A] (heat)	Length [mm]	Weight [kg]
PA2510E05	1,7/3,3/5	900/1450	17/10,5	68	42/51	0,5	400V3~/7,2	1050	19
PA2510E08	3/5/8	900/1450	27/16,5	68	42/51	0,5	400V3~/11,5	1050	20
PA2515E08	2,7/5,4/8	1400/2200	17,5/11	69	40/52	0,7	400V3~/11,5	1560	30
PA2515E12	3,9/8/12	1400/2200	26/16,5	69	40/52	0,7	400V3~/17,3	1560	32
PA2520E10	3,4/6,7/10	1800/2900	17/10,5	70	43/53	1,0	400V3~/14,4	2050	36
PA2520E16	6/10/16	1800/2900	27/16,5	70	43/53	1,0	400V3~/23,1	2050	40

### 💧 Water heat - PA2500 W

Type	Output*5 [kW]	Airflow*1 [m <sup>3</sup> /h]	$\Delta t^{4,5}$ [°C]	Water volume [l]	Sound power*2 [dB(A)]	Sound pressure*3 [dB(A)]	Amperage motor [A]	Length [mm]	Weight [kg]
PA2510W	4,7	900/1300	12/11	0,71	69	42/53	0,45	1050	17,5
PA2515W	9,2	1250/2100	16/13	1,09	70	41/54	0,6	1560	26
PA2520W	11	1800/2600	15/13	1,42	71	43/55	0,9	2050	35

### ⚡ Electrical heat - PA2500 E (230V3~)

Type	Output steps [kW]	Airflow*1 [m <sup>3</sup> /h]	$\Delta t^{*3}$ [°C]	Sound power*2 [dB(A)]	Sound pressure*3 [dB(A)]	Amp. motor [A]	Voltage heat [V]	Amp. heat [A]	Length [mm]	Weight [kg]
PA2510E05YD	1,7/3,3/5	900/1450	17/10,5	68	42/51	0,5	230V3~/400V3~	12,6/7,2	1050	19
PA2515E08YD	2,7/5,4/8	1400/2200	17,5/11	69	40/52	0,7	230V3~/400V3~	20,1/11,5	1560	30
PA2520E10YD	3,4/6,7/10	1800/2900	17/10,5	70	43/53	1,0	230V3~/400V3~	25,1/14,4	2050	36

\*1) Lowest/highest airflow of totally 3 fan steps.

\*2) Sound power ( $L_{WA}$ ) measurements according to ISO 27327-2: 2014, Installation type E.

\*3) Sound pressure ( $L_{pA}$ ). Conditions: Distance to the unit 5 metres. Directional factor: 2. Equivalent absorption area: 200 m<sup>2</sup>. At lowest/highest airflow.

\*4)  $\Delta t$  = temperature rise of passing air at maximum heat output and lowest/highest airflow.

\*5) Applicable at water temperature 60/40 °C, air temperature, in +18 °C.

Protection class for units with electrical heating: IP20.

Protection class for units with water heating: IP21.

CE compliant.

Type	C1 Mid [mF]	C2 Low [mF]	C2 Run [mF]
PA2510E05	10	6	4
PA2510E08	10	6	4
PA2515E08	12	8	4
PA2515E12	12	8	4
PA2520E10	10	6	4
PA2520E16	10	6	4

Type	C1 Mid [mF]	C2 Low [mF]	C2 Run [mF]
PA2510A/W	10	6	4
PA2515A/W	12	8	4
PA2520A/W	10	6	4
PA2510E05YD	10	6	4
PA2515E08YD	12	8	4
PA2520E10YD	10	6	4

## Assembly and operating instructions

### General Instructions

Read these instructions carefully before installation and use. Keep this manual for future reference.

*The product may only be used as set out in the assembly and operating instructions. The guarantee is only valid if the product is used in the manner intended and in accordance with the instructions.*

### Application area

PA2500 is intended for installation heights up to 2.5 metres. The air curtain is available without heat, with electrical heating and with water heating. Protection class for units with electrical heating: IP20.

Protection class for units without heating and units with water heating: IP21.

### Operation

Air is drawn in at the top of the unit and blown out downwards so that it shields the door opening and minimizes heat loss. To achieve the optimum curtain effect the unit must extend the full width of the door opening.

The grille for directing exhaust air is adjustable and is normally angled outwards to achieve the best protection against incoming air.

The efficiency of the air curtain depends on the air temperature, pressure differences across the doorway and any wind pressure.

*NOTE! Negative pressure in the building considerably reduces the efficiency of the air curtain. The ventilation should therefore be balanced.*

### Mounting

The air curtain unit is installed horizontally with the supply air grille facing downwards as close to the door as possible. Minimum distance from outlet to floor for electrically heated units is 1800 mm. For other minimum distances, see fig. 4.

### Mounting with wall brackets (fig. 6)

1. Mount the brackets on the wall, see fig.6A and dimension drawing fig.1. If the wall is uneven the brackets must be compensated for this.
2. Hook on the unit at the lower edge of the brackets. (Fig.6B)
3. Bend the top of the console over the the unit and slide the units screws along the rail into the slots on the consoles. (Fig.6C) When the bracket is bent once, it must be replaced if bent back more than 45 °.
4. Lock the nuts against the brackets. (Fig.6D)

### Horizontal mounting on the ceiling

Threaded rods, hanging brackets and ceiling mounting brackets for ceiling mounting are available as accessories, see accessories pages and separate manuals.

### Electrical installation

The installation, which should be preceded by an omnipolar switch with a contact separation of at least 3 mm, should only be wired by a competent electrician and in accordance with the latest edition of IEE wiring regulations. The control system is pre-installed in the air curtain with an integrated control card. SIRE is supplied pre-programmed with quick-fit connections. Modular cables are connected to the control board. See manual for SIRE.

### Unit without heating or with water heating

Connected via the built-in control board SIRE with 1,5 m cord and plug.

**Unit with electrical heating**

The electrical connection is made on the top of the unit. See Fig.2. Control (230V~) and power supply for heat (400V3~) should be connected to a terminal block in the terminal box. 2-metre and longer units require dual power supplies.

The largest cable diameter for the terminal block is 16 mm<sup>2</sup>. The cable glands used must meet the protection class requirements. In the distribution board it is to be indicated that "the air curtains can be supplied from more than one connection".

See wiring diagrams.

Type	Output [kW]	Voltage [V]	Minimum area* [mm <sup>2</sup> ]
Control	0	230V~	1,5
PA2510E05	5	400V3~	1,5
PA2510E08	8	400V3~	2,5
PA2515E08	8	400V3~	2,5
PA2515E12	12	400V3~	4
PA2520E10	10	400V3~	2,5
PA2520E16	16	400V3~	6

\*) Dimensioning of external wiring shall comply with applicable regulations and local deviations may occur.

**Start-up (E)**

When the unit is used for the first time or after a long period of disuse, smoke or odour may result from dust or dirt that has collected on the element. This is completely normal and disappears after a short time.

**Connecting the water coil (W)**

The installation must be carried out by an authorised installer.

The water coil has copper tubes with aluminium fins and is suitable for connection to a closed water heating system. The heating coil must not be connected to a mains pressure water system or an open water system.

Note that the unit shall be preceded by a regulating valve, see Frico valve kit. The water coil is connected on the upper side of the unit with  $\varnothing 15$  mm smooth copper pipe with a suitable coupling or soldering. The connections to the heating coil must be equipped with shut off valves to allow problem free removal. Water coil is equipped with a drain valve. A vent valve should be connected at a high point in the pipe system. Air valves are not included. NOTE: Care must be taken when connecting the pipes. Use a wrench or similar to hold the air curtain connections to prevent straining of the pipes and subsequent water leakage during connection to water supply pipe-work.

**Adjustment of the air curtain and air flow**

The direction and speed of the air flow should be adjusted considering the load on the opening. Pressure forces affect the air stream and make it bend inwards into the premises (when the premises are heated and the outdoor air is cold).

The air stream should therefore be directed outwards to withstand the load. Generally speaking, the higher the load, the greater the angle that is needed.

**Basic setting fan speed**

The fan speed when the door is open is set using the control. Note that the air flow direction and fan speed may need fine adjustment depending on the loading of the door.

**Filter (W)**

The water coil is protected against dirt and blockage by an internal air filter which covers the coil face. In environments where the filter needs cleaning often, it is advisable to use an external intake filter (see accessories pages), which provides an easier maintenance, since the unit does not need to be opened. When an external filter is used, the internal filter is removed.

## Service, repairs and maintenance

For all service, repair and maintenance first carry out the following:

1. Disconnect the power supply.
2. The front hatch is removed by removing the screws on the top of the unit and then detach the bent edge at the bottom. (Fig.3)
3. After the service, repair and maintenance reattach the front hatch. Place the hatch at the lower edge with the bent edge and fasten on top with screws.

## Maintenance

### *Unit with water heating*

The appliance filter should be cleaned regularly to ensure the air curtain effect and the heat emission from the device. How often depends on local circumstances. A clogged filter is not a risk, but the appliance function can fail.

1. Disconnect the power supply.
2. The front hatch is removed by removing the screws on the top of the unit and then detach the bent edge at the bottom. (Fig.3)
3. Remove the filter and vacuum clean or wash it. If the filter is clogged or damaged, it may need to be changed.

### *All units:*

Since fan motors and other components are maintenance free, no maintenance other than cleaning is necessary. The level of cleaning can vary depending on local conditions. Undertake cleaning at least twice a year. Inlet and exhaust grilles, impeller and elements can be vacuum cleaned or wiped using a damp cloth. Use a brush when vacuuming to prevent damaging sensitive parts. Avoid the use of strong alkaline or acidic cleaning agents.

## Overheating

The air curtain unit with electric heater is equipped with an overheat protector. If it is deployed due to overheating, reset as follows:

1. Disconnect the electricity with the fully isolated switch.
2. Determine the cause of overheating and rectify the fault.
3. Remove the front hatch.
4. Press the red button located inside the air curtain unit, at the inner gable of the terminal box.
5. Reattach the front hatch and connect the unit again.

All motors are equipped with an integral thermal safety cut-out. This will operate, stopping the air curtain should the motor temperature rise too high. The cut-out will automatically reset when the motor temperature has returned to within the motor's operating limits.

## Temperature control

Temperature control of SIRE maintains the exhaust temperature. If the temperature should exceed anyway the overheating alarm goes off. For more information see the manual for SIRE.

## Replacing motor or impeller

1. Remove the front.
2. Remove gable end.
3. Remove the screw between motor and fan.
4. Disconnect the cables to the motor.
5. Remove the screws securing the motor and lift it out together with the impeller.
6. Install the new motor and/or the new impeller as above in reverse order.

## Replacing heating elements/heating package (E)

1. Mark and disconnect the cables to the heating elements/package
2. Remove the mounting screws securing the heating elements/package in the unit and lift the heating elements/package out.
3. Install the new heating elements/package in reverse order to the above.

### Replacing the water coil (W)

1. Shut off the water supply to the unit.
2. Disconnect the connections to the water coil.
3. Remove the mounting screws securing the coil in the unit and lift the coil out.
4. Install the new coil in reverse order to the above.

### Draining the water coil (W)

The drain valve is on the underside of the coil on the connector side. It can be accessed via the front hatch.

### Trouble shooting

*If the fans are not working or do not blow properly, check the following:*

- That the intake grille/filter is not dirty.
- Functions and settings of the SIRE control system, see manual for SIRE.

*If there is no heat, check the following:*

- Functions and settings of the SIRE control system, see manual for SIRE.

*For units with electrical heating, also check the following:*

- Power supply to electric heater coil; check fuses and circuit-breaker (if any).
- That the overheat protection for the motors has not been deployed.

*For units with water coil, also check the following:*

- That the water coil is air free.
- That there is enough water flow.
- That incoming water is heated enough.

If the fault cannot be rectified, please contact a qualified service technician.

### Residual current circuit breaker (E)

When the installation is protected by means of a residual current circuit breaker, which trips when the appliance is connected, this may be due to moisture in the heating element. When an appliance containing a heater element has not been used for a long period or stored in a damp environment, moisture can enter the element.

This should not be seen as a fault, but is simply rectified by connecting the appliance to the main supply via a socket without a safety cut-out, so that the moisture can be eliminated from the element. The drying time can vary from a few hours to a few days. As a preventive measure, the unit should occasionally be run for a short time when it is not being used for extended periods of time.

### Safety

- *For all installations of electrically heated products should a residual current circuit breaker 300 mA for fire protection be used.*
- *Keep the areas around the air intake and exhaust grilles free from possible obstructions!*
- *The unit may have hot surfaces during operation and when cooling down!*
- *The unit must not be fully or partially covered with clothing, or similar materials, as overheating can result in a fire risk! (E)*
- *This appliance can be used by children aged from 8 years and above and persons with reduced physical, sensory or mental capabilities or lack of experience and knowledge if they have been given supervision or instruction concerning use of the appliance in a safe way and understand the hazards involved. Children shall not play with the appliance. Cleaning and user maintenance shall not be made by children without supervision.*



**Main office**

Frico AB  
Box 102  
SE-433 22 Partille  
Sweden

Tel: +46 31 336 86 00

mailbox@frico.se  
www.frico.se

**For latest updated information and information  
about your local contact: [www.frico.se](http://www.frico.se)**