

Roof installation



Danger

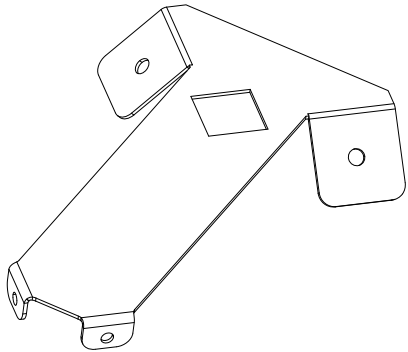
Disconnect the mains power supply to the unit before performing any work.



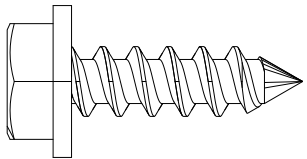
Caution

Risk of injury through pinching. Use protective clothing.

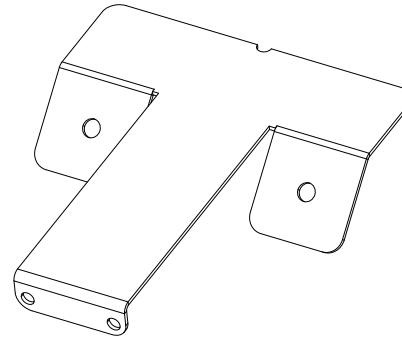
Enclosed in the kit:



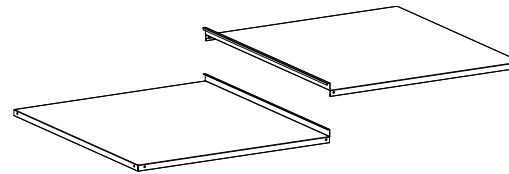
Corner brackets
4 pcs for all Topvex SR



Sheet metal screws with rubber seal
24 pcs for Topvex SR20-35
32 pcs for Topvex SR60-100



Side bracket
2 pcs for Topvex SR 20-35
4 pcs for Topvex SR 60-100



Roof parts
2 pcs

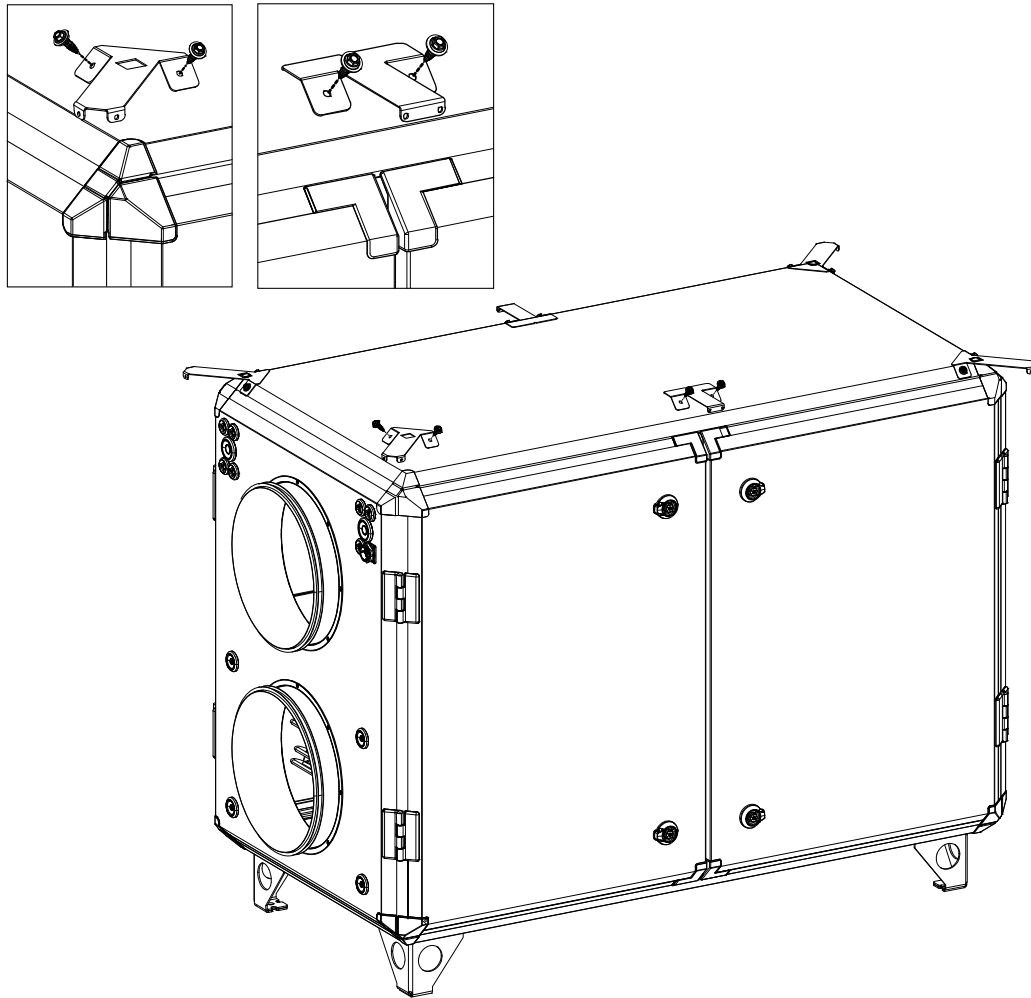


Fig. 1 Attach the corner and side brackets on top of the air handling unit. Fasten the brackets with the enclosed screws.

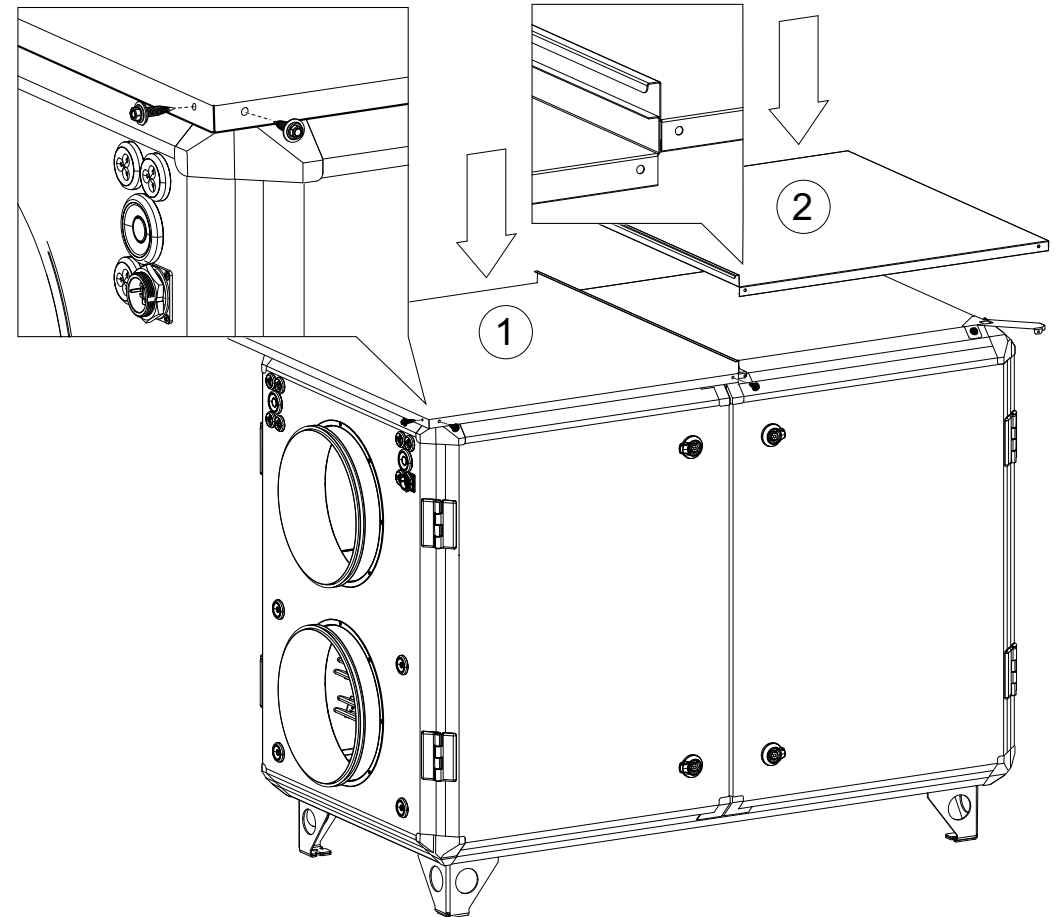


Fig. 2 Place the left (1) roof part on top of the air handling unit. Fastened the roof part to the brackets with the screws. Place the right roof part (2), observing the bending on the inner edge of the right roof part.