



Infrared heater CIR

For applications where discreet design and operation is desired

CIR provide comfort all year around on terraces, balconies and open-air restaurants. Requires no protection against bad weather and has five-year corrosion warranty.

CIR is discreet with its slim design and silent, invisible operation and needs little space to fit in.

- Infrared heater CIR is available in three versions:
 - CIR100 with outputs between 500 and 2000 W.
 - CIR200 with the same outputs and built-in switch.
 - CIRC with output 1000 W, 1,8 m cord and plug.
- Reflectors of high-gloss polished aluminium with maximum resistance against corrosion. Grey terminal boxes of heat and weather resistant polycarbonate.
- Adjustable mounting brackets for easy mounting on the wall or ceiling.
- No risk for current leaks and thus no problem with a safety cut-out triggering off.
- Casing of white lacquered aluminium zinc panels. Colour: RAL 9002, NCS 1502-Y. Protection grille of stainless steel.

Infrared heater CIR without built-in switch (IP24)

| Type | Heat output [W] | Voltage [V] | Amperage [A] | Max. element temperature [°C] | Dimensions LxHxW [mm] | Weight [kg] |
|----------|--------------------|----------------|-----------------|-------------------------------------|-----------------------------|----------------|
| CIR10521 | 500 | 230V~ | 2,2 | 750 | 710x44x94 | 1,5 |
| CIR11021 | 1000 | 230V~ | 4,3 | 750 | 1250x44x94 | 2,2 |
| CIR11031 | 1000 | 400V2~ | 2,5 | 750 | 1250x44x94 | 2,2 |
| CIR11521 | 1500 | 230V~ | 6,5 | 750 | 1755x44x94 | 3,0 |
| CIR11531 | 1500 | 400V2~ | 3,8 | 750 | 1755x44x94 | 3,0 |
| CIR12021 | 2000 | 230V~ | 8,7 | 750 | 2180x44x94 | 3,7 |
| CIR12031 | 2000 | 400V2~ | 5,0 | 750 | 2180x44x94 | 3,7 |

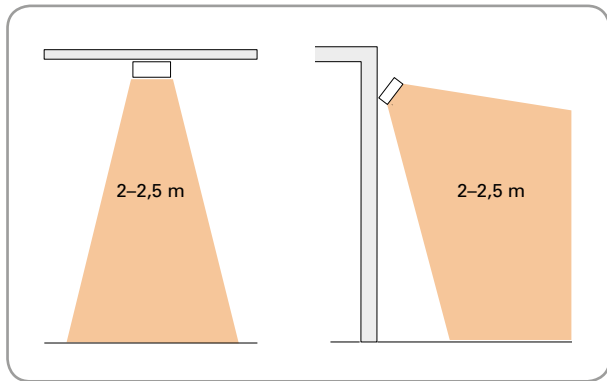
Infrared heater CIR with built-in switch (IP24)

| Type | Heat output [W] | Voltage [V] | Amperage [A] | Max. element temperature [°C] | Dimensions LxHxW [mm] | Weight [kg] |
|----------|--------------------|----------------|-----------------|-------------------------------------|-----------------------------|----------------|
| CIR20521 | 500 | 230V~ | 2,2 | 750 | 710x44x94 | 1,5 |
| CIR21021 | 1000 | 230V~ | 4,3 | 750 | 1250x44x94 | 2,2 |
| CIR21031 | 1000 | 400V2~ | 2,5 | 750 | 1250x44x94 | 2,2 |
| CIR21531 | 1500 | 400V2~ | 3,8 | 750 | 1755x44x94 | 3,0 |
| CIR22031 | 2000 | 400V2~ | 5,0 | 750 | 2180x44x94 | 3,7 |

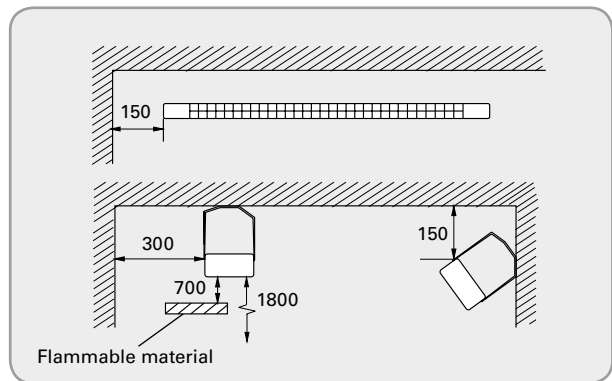
Infrared heater CIRC with 1.8 m cord and plug (IP24)

| Type | Heat output [W] | Voltage [V] | Amperage [A] | Max. element temperature [°C] | Dimensions LxHxW [mm] | Weight [kg] |
|-----------|--------------------|----------------|-----------------|-------------------------------------|-----------------------------|----------------|
| CIR11021C | 1000 | 230V~ | 4,3 | 750 | 1250x44x94 | 2,2 |

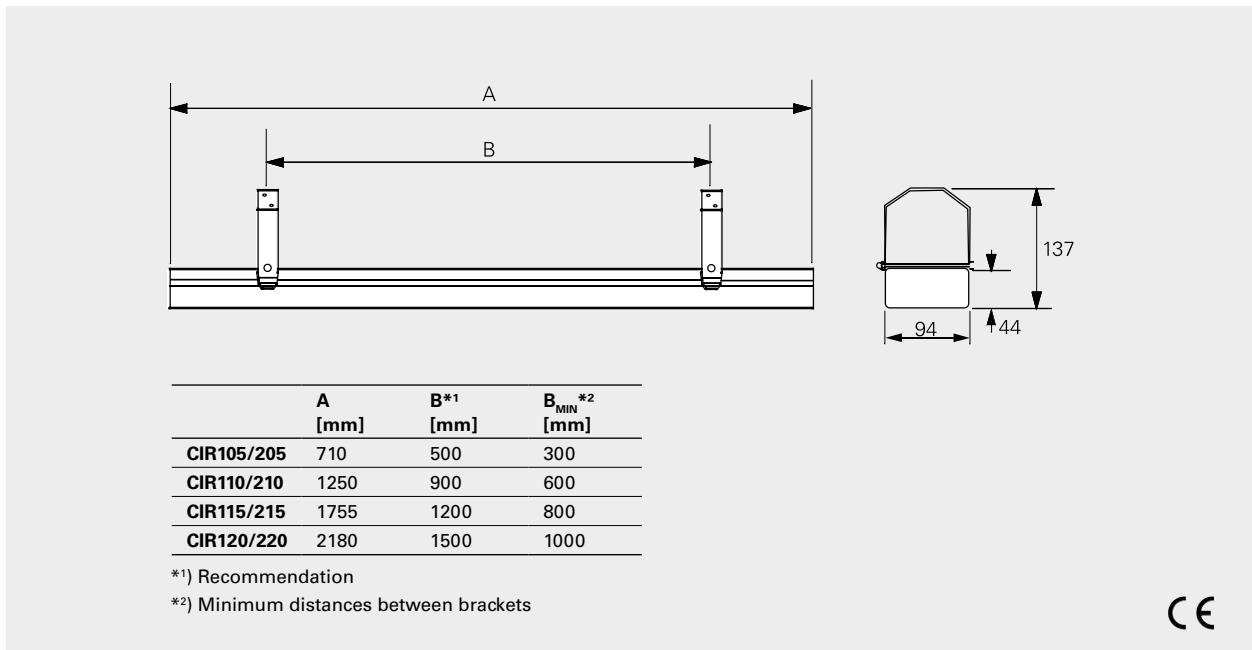
Installation height



Minimum distances



Dimensions



Mounting

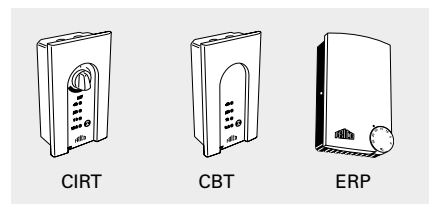
CIR is installed horizontally on the ceiling or on the wall with the supplied adjustable mounting brackets. The angle of the heater can be adjusted for optimum comfort. The standard brackets cannot be used for angled installation on the ceiling, because the distance then becomes less than the minimum distance. CIR can also be suspended by wire.

Connection

CIR11021C is equipped with 1.8 m cord and plug for connection to an earthed outlet socket. Other models are intended for fixed installation. The heaters are approved for serial connection.

Accessories

| Type | Description | HxWxD [mm] |
|-------------|--|---------------|
| CIRT | Stepless output control with timer, IP44 | 155x87x43 |
| CBT | Electronic timer, IP44 | 155x87x43 |
| ERP | Electric heating control, IP20 | 157x93x40 |



For further information and options, see the "Controls" section.