

Halogen infrared heater IH

Suitable for exposed outdoor environments with design demands

The infrared heater IH is powerful with a high filament temperature of 2200 °C and is the perfect choice for exposed outdoor environments where design is important. IH is available in two different designs. IHW gives a comfortable heat in the occupied zone from close range and also wider heat distribution. IHF has more direct heat distribution and is designed to be installed higher up.

IH is easy to position thanks to its compact design. The discreet and appealing look makes it suitable for outdoor environments with design demands.

- IH is available in two versions:
 - **IHW** provides wide heat distribution (60°), recommended installation height 1.8 – 2.5 m.
 - **IHF** provides directed heat distribution (40°), recommended installation height 2.3 – 3.5 m.
- IH consists of a halogen lamp with a faint red glow and a very high intensity and a highly-polished reflector for optimum heat distribution.
- Bracket for wall mounting. Can also be suspended from the ceiling or mounted on a post. Other mounting alternatives are available as accessories.
- Equipped with a 0.9 metre cord with plug for connection to an earthed outlet socket.
- Casing in anodised aluminium, grille in Nickel/Chrome plating, end caps in powder-coated light-alloy metal. Colour: RAL 9006.

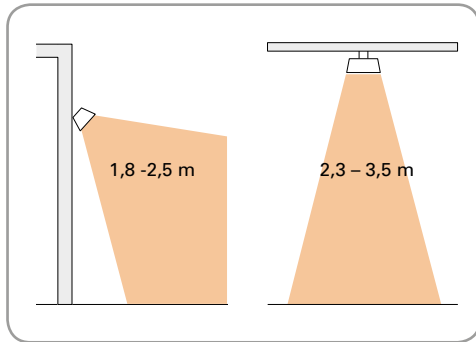
Infrared heater IHW with wide heat distribution (IP44)

Type	Heat output [W]	Voltage [V]	Amperage [A]	Max. filament temperature [°C]	Dimensions LxHxW [mm]	Weight [kg]
IHW10	1000	230V~	4,3	2200	500x77x169	1,9
IHW15	1500	230V~	6,5	2200	500x77x169	1,9
IHW20	2000	230V~	8,7	2200	676x77x169	2,5

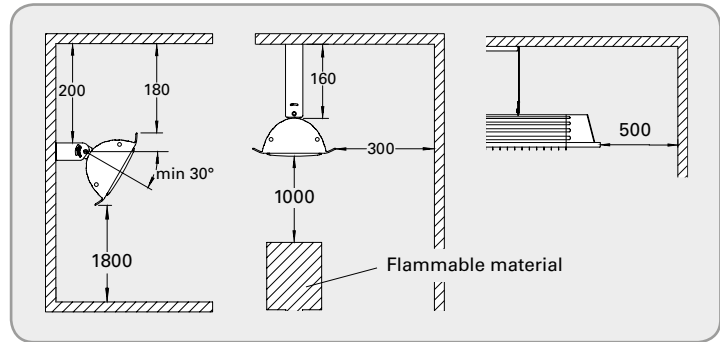
Infrared heater IHF with directed heat distribution (IP44)

Type	Heat output [W]	Voltage [V]	Amperage [A]	Max. filament temperature [°C]	Dimensions LxHxW [mm]	Weight [kg]
IHF10	1000	230V~	4,3	2200	500x77x169	1,9
IHF15	1500	230V~	6,5	2200	500x77x169	1,9
IHF20	2000	230V~	8,7	2200	676x77x169	2,5

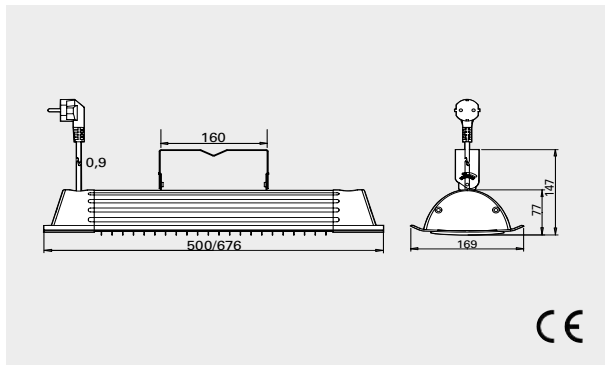
Installation height



Minimum distances



Dimensions



Mounting

IH installed horizontally on walls with supplied bracket. The heater can be angled up to 45°. The heater can also be mounted on e.g. a parasol or a post, a suitable U-bolt (not included) is used for this together with the supplied console. For ceiling installation use ceiling bracket IHE (accessory). For other mounting alternatives, see accessories.

Connection

IH is equipped with a 0.9 metre cord with plug for connection to an earthed outlet socket.

Accessories



Type	Description
IHBD3	Comfort controller for infrared heater, 3000W, 230V~, IP65
CBT	Electronic timer, IP44
IHUB	Universal bracket for IH
IHE	Ceiling bracket
IHXH	Extension bracket for high level mounting
IHXL	Extension bracket for low level mounting
IHT	Triple bracket
IHTW	Wire kit (3 wires) for IHT
IHP	Post for freestanding installation, 2.3 m
KLS1KS	Pole bracket with velcro
BHSS-3	Floor stand, up to 2.1 m
IHAF	Adapter mounting for KLS1KS and BHSS-3

