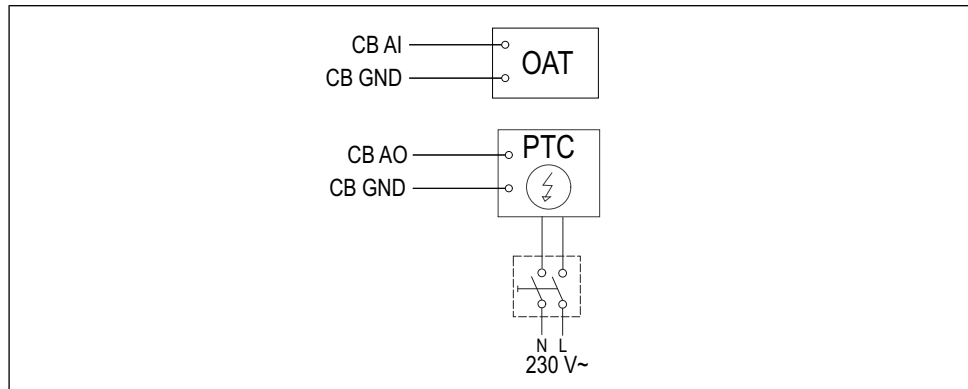


To install the PTC heater in the outdoor air duct

List of accessories:

- PTC – DN125 – 0.8kW — 215132
- PTC – DN125 – 1.2kW — 215133



To install:

1. Install the PTC heater (PTC) at least 100 mm distance from the product in the outdoor air duct.
2. Connect the PTC heater to any available analogue output on the connection board (CB).
3. Install the duct temperature sensor (OAT) before the PTC heater.
4. Connect the duct temperature sensor to any available analogue input on the connection board (CB).
5. Connect the power supply to the PTC heater. A circuit breaker (BRK) is not included and must be ordered separately. The circuit breaker must be installed in the circuit.

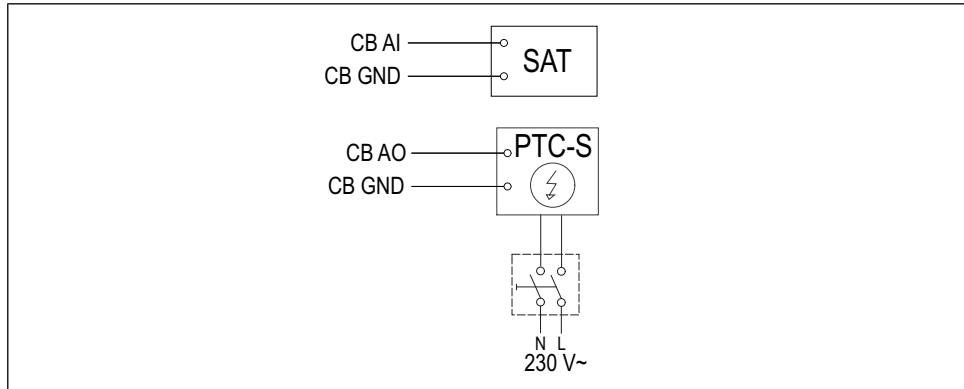
To configure:

1. Go to **Service** menu.
2. Enter the password (default 1111).
3. Set the heater type **Components** > **Extra Controller** > **Extra Controller Mode** > **Preheater**.
4. Go to **Service** > **Output** > **ANALOG**. Select the analogue output to which the PTC heater is connected, set the value to **Y4 Extra Controller**.
5. Change the configuration of the internal outdoor air temperature sensor. Go to **Service** > **Input** > **ANALOG** > **ANALOG INPUT 1**. Change the value to **Extra Controller Temp. Sensor (ECT)**.
6. Configure the duct temperature sensor (OAT). Select the analogue input to which the sensor is connected, set the value to **Outdoor Air Temp. Sensor (OAT)**.

To install the PTC heater in the supply air duct

List of accessories:

- PTC – DN125 – 0.8kW — 215132
- PTC – DN125 – 1.2kW — 215133



To install:

1. Install the PTC heater (PTC-S) at least 100 mm distance from the product in the supply air duct.
2. Connect the PTC heater to any available analogue output on the connection board (CB).
3. Install the duct temperature sensor (SAT) after the PTC heater.
4. Connect the duct temperature sensor to any available analogue input on the connection board (CB).
5. Connect the power supply to the PTC heater. A circuit breaker (BRK) is not included and must be ordered separately. The circuit breaker must be installed in the circuit.

To configure:

1. Go to **Service** menu.
2. Enter the password (default 1111).
3. Set the heater type **Components** > **Heater** > **Electrical**.
4. If the product has an internal electric heater, set the electric heater control as inactive. Go to **Service** > **Output** > **ANALOG** > **TRIAC OUTPUT** > **Inactive Output**.
5. Go to **Service** > **Output** > **ANALOG**. Select the analogue output to which the PTC heater is connected, set the value to **Y1 Heating**.
6. Set the internal supply air temperature sensor as inactive. Go to **Service** > **Input** > **ANALOG** > **ANALOG INPUT 2** > **Inactive Input**.
7. Configure the duct temperature sensor (SAT). Select the analogue input to which the sensor is connected, set the value to **Supply Air Temp. Sensor (SAT)**.