

SYSCREW 440-1550 WATER EVO

Water Cooled Chillers Cooling Only,
Heat Pump with cycle reversion water side,
Remote Condenser units
Engineering Data Manual



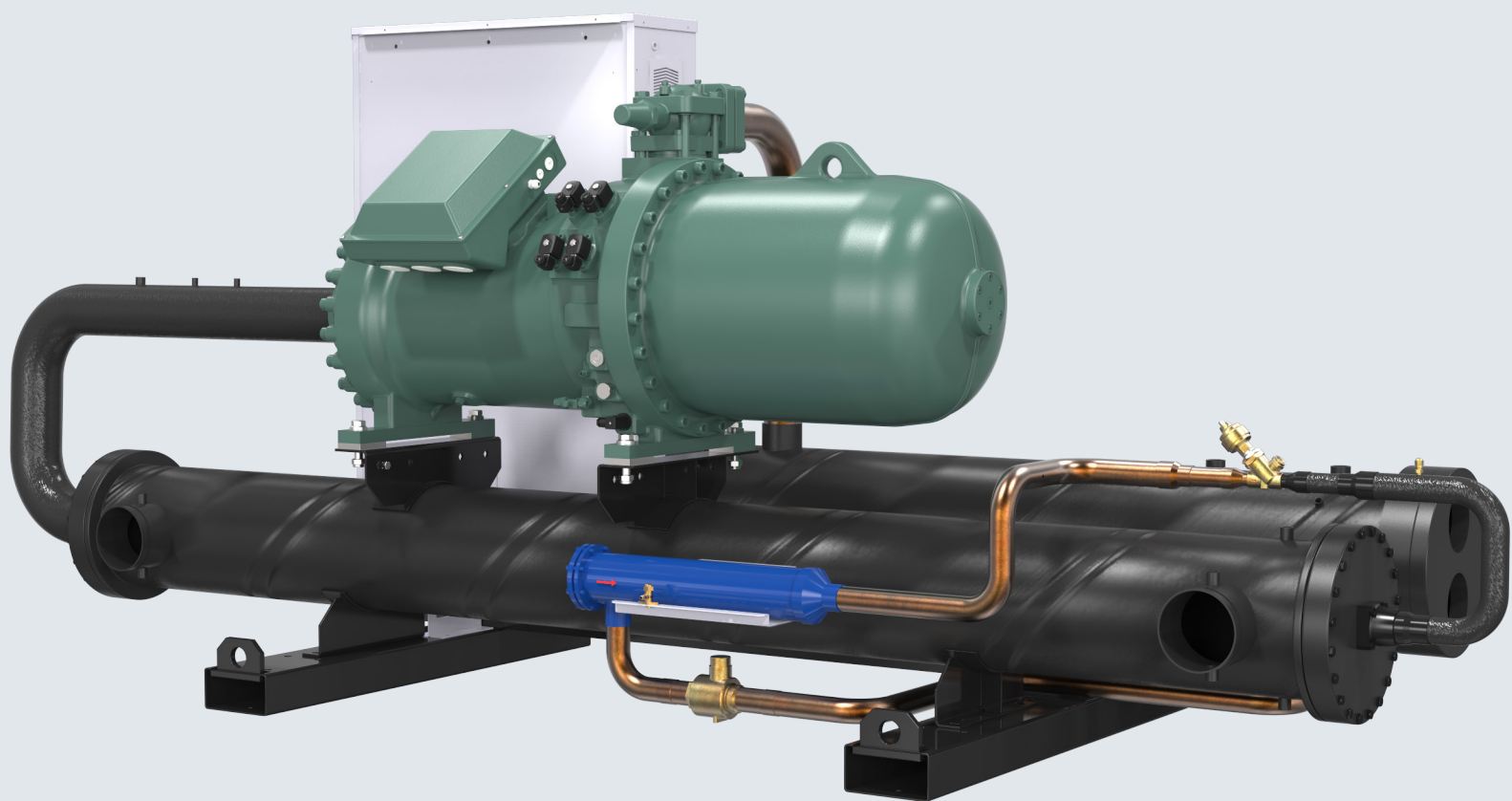
R134a

R513A

410 to 1460 kW



470 to 1650 kW



Features & Strength Points

SYSCREW 440-1550 WATER EVO is the new series of high efficiency [Water cooled chillers](#), [Heat pump with cycle reversion water side](#), [Remote condenser](#) units, equipped with one or two refrigerant circuits, twin-screw compressors, shell & tube heat exchangers.

Ranging from 410 to 1.460 kW nominal cooling capacity and from 470 to 1.650 kW nominal heating capacity, SYSCREW WATER EVO is available in 15 different [sizes](#), two different [versions](#) according [sound level](#) (Basic Low Noise, Super Low Noise), extended envelope version ([Brine Cooling](#)).

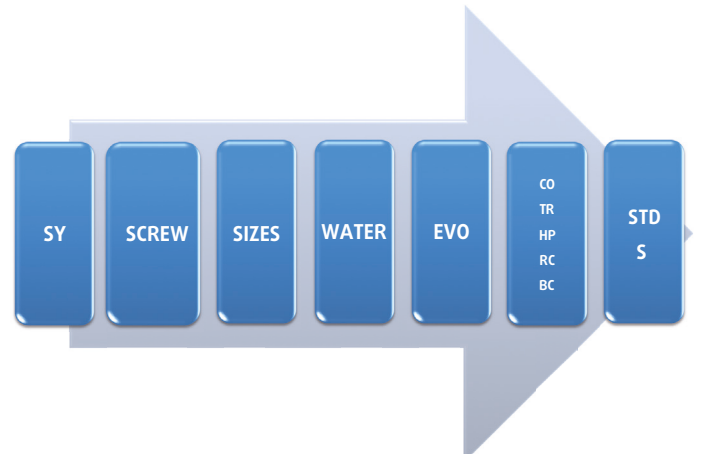
Refrigerant components have been selected in order to reach [top class efficiency](#) performances both at full load and at partial load.

Strength points of this new line are:

- [Compressor optimization](#) (high / low pressure ratio), according application
- High efficiency shell and tube [pure counter flow evaporator](#)
- New generation [shell and tubes condenser](#)
- [Electronic expansion devices](#) on all units as standard
- A [customized software](#) developed with a modular architecture
- High level of [customization](#)

A list of electrical and mechanical factory installed options such as [heat recovery](#) (partial / total) and [well water / sea water](#) execution (dedicated condenser) or field installed accessories are available to complete the offer.

Specifications



CO = Cooling Only; TR = Total Heat Recovery; HP = Heat Pump (reverse cycle water side); RC = Remote Condenser; BC = Brine Application; STD = Version standard; S = Super low noise.

General

This new released version of the range has been designed to operate with refrigerants **R513A** or **R134a**. All components have been optimized for these refrigerants. Each unit consists of **one/two** independent **refrigerant circuits** (according capacity size) complete with **screw compressors**, pure **counterflow shell and tube evaporator**, new generation **shell and tube condenser** and **electronic expansion valve**. The units are available in 15 sizes, with a nominal cooling capacity range from 410 to 1.460 kW and nominal heating capacity range from 470 to 1.650 kW.

3 different versions are available:

- **Cooling only** units (CO)
- **Heat pump** with cycle reversion water side (HP)
- **Remote condenser** units (RC)

Each version can be supplied with 2 **acoustic** options:

- **Basic Low Noise (STD)**: units are supplied without compressors box
- **Super Low Noise (S)**: units are supplied with compressors box and additional insulation panels on the cabinet in order to furtherly reduce noise impact

Two **heat recovery** options are available:

- **Desuperheater (DES)**: all the versions can be supplied with plate type heat exchangers fitted, one on each refrigerant circuit, on the compressor discharge line to recover about 20 % of the total heat rejected to the condensers
- **Total Heat Recovery (TR)**: cooling only units can be supplied with suitable heat exchanger to recover 100 % of heat rejection by the condensers

One additional version can be supplied in order to extend operating envelope:

- **Brine Cooling (BC)**: units are supplied with dedicated components on refrigeration system and proper control setting in order to allow operation with brines (typically ethylenic or propylenic glycol) down to -8°C.

Cabinet and structure

The unit structure is made of black painted carbon steel. The unit cabinet is made of heavy gauge galvanized steel, individually painted, with a polyester powder based painting (RAL 7040), under a special painting process before the assembly of the unit. This painting system performs and stands a homogeneous protection of the corrosion. All parts of the structure are totally fastened with stainless steel bolts and rivets.

Refrigerant circuits

The units are composed of a single refrigerant circuit – from size 440 to size 770 – and of two independent and separate refrigerant circuits – from size 860 to size 1550. Each refrigerant circuit is equipped with discharge line shut-off valves, filter-drier with solid core, sight glass and electronic expansion valve. The functional diagram of each circuit is shown in the section “Refrigerant flow diagram”.

Semi-hermetic screw compressors

Compressors are semi-hermetic high-efficiency twin-screw type, featuring an integrated oil separator and step or stepless capacity control ranging from 25 to 100%. Compressors are optimized to work with low pressure ratio in case of cooling only chillers or with high pressure ratio in case of heat pump and remote condenser units. Liquid injection allows operation on a wider envelope without compromising unit reliability.

All compressors are fitted with an electronic control system ensuring the following functions:

- Protection against high temperature and excessive load
- Correct direction of rotation
- Phase monitoring

The main features of capacity control are stated below:

- Compressor capacity reduction by means of solenoid valves;

- Capacity reduction steps relating to each compressor:
 - standard compressors: 25% (at start-up and pump down), 50%, 75% and 100%
 - stepless compressors: infinity steps between 50% and 100%
- Capacity steps on 1 refrigerant circuit units:
 - standard compressors: 3 steps (50%, 75% and 100%)
 - stepless compressors: 50 to 100%
- Capacity steps on 2 refrigerant circuit units:
 - standard compressors: 6 steps (25%, 50%, 63%, 75% and 100%)
 - stepless compressors: 25 to 100%

Furthermore, the screw compressors are provided with control devices to make the units more reliable:

- Electric motor temperature sensor
- Discharge temperature sensor

The compressors are supplied a Star-Delta starting system. Soft starter and power factor correction capacitor options are available on request.

For this specific range two types of compressor are used according application, in order to have the best possible efficiency:

- Low pressure ratio optimized: used on CO units.
- High pressure ratio optimized: used on HP and RC units.

Evaporator

Evaporator is direct expansion shell & tube type, with an innovative refrigerant distribution system and single-pass pure countercurrent design, so as to reach maximum efficiency and new levels of competitiveness.

Pipe bundle is made of inner grooved tubes to maximize the refrigerant heat transfer coefficient and to limit the negative effects of refrigerant pressure drop. Steel housing is insulated by UV resistant closed cell polyethylene foam material. Water temperature probes are protecting the unit against ice while the unit is operating.

Water connections of heat exchanger are Victaulic type supplied with coupling stub pipe to be welded.

Condenser

Condensers are designed for fresh water application, using carbon steel for shell / tube sheets and covers, last generation of inner grooved and externally corrugated copper piping with an optimized distribution, thermopolymer compound gaskets and teflon baffles. All carbon steel components are sand blasted, including the internal wall of the shell. In case of heat pump application, condenser shells can be insulated by UV resistant closed cell polyethylene foam material to limit heat transfer to environment.

Water connections of heat exchanger are Threaded type supplied with coupling stub pipe to be welded.

Electronic expansion valve

Electronic expansion device offer a precise control of evaporator superheat, so as to protect compressor from the risk of liquid flood-back and to ensure the best use of heat exchange surfaces. The port design includes a shut-off function with "solenoid" tightness in both flow directions in order to avoid refrigerant migration when the unit is in stand-by and to avoid the risk of flooded compressor start-up.

Electrical board

Electrical board is a metal case with IP 42 protection degree, installed on lateral position and protected by one or two access doors according unit size.

Electronic control

The units are supplied with the new microprocessor-based electronic control and management system ensuring the following functions:

- Management of the operation of compressors:
 - Power on/off
 - Anticycle management
 - Unloading for high pressure or high compressor pressure ratio (integrated inside the curves of compressor operating limits)
- Chilled water temperature regulation (control option on inlet water temperature RWT (P+I type) or outlet water temperature LWT (neutral band type) of the evaporator)
- Control of superheating on suction line through electronic expansion valves
- Evaporator antifreeze protection
- Management of high and low pressure alarms
- Management of external interlocks
- Management of the remote control:
 - Unit power on/off
 - Summary alarm signals
- Remote signalling, by free contacts:
 - Voltage presence
 - Compressors in operation
 - Circuit alarm unit
- Management of external hydro kit (both evaporator and condenser side)
- Management of heat recovery mode

The unit controller can also clearly show all control parameters of the machine on the liquid crystal display, such as:

- Display of superheating value
- Display of the temperature at the evaporator inlet and outlet
- Display of refrigerant discharge and suction pressure.
- Display of the set point
- Display of EEV opening steps
- Display of the various alarm and operation status:
 - Compressor start-up alarm (discharge pressure check)
 - Low / High pressure

- Low / High super-heating
- Evaporator antifreeze
- Flow switch signal for lack of water
- Control of the compressor operating hours
- Compressors in operation
- Pump in operation
- Thermal protection of compressors
- Faulty sensors.

Control and safety devices

Each unit is fitted with the following devices:

Safety:

- Power disconnect switch with an emergency stop function
- Safety valve on the discharge line (HP side) set to 21 bar
- Safety valve on the suction line (LP side) set to 14.5 bar
- HP switches (double on each circuit) set to 19 bar, manual reset to be reinitialized from control board
- LP switches (one for each circuit) set to 0.5 bar, manual reset to be reinitialized from control board
- Antifreeze temperature sensor (set to +4 °C) on the evaporator
- Discharge gas temperature protection, on the discharge line of each compressor

Control:

- HP and LP transducers
- Evaporator water inlet temperature sensor
- Evaporator water outlet temperature sensor (with an antifreeze function)
- Suction temperature sensor for EEV control
- Heat recovery condenser temperature sensor (optional)
- 0-10 V analogue signal, for condensing control
- Dynamic set-point management, according outdoor air temperature, current / voltage outdoor input (optional)

Conformity with standards

The following applies to all the sizes and versions of units:

- Machine Directive: 2006/42/EC
- Low Voltage Directive: 2006/95/EC
- Electromagnetic Compatibility Directive: 2014/30/EU
- Pressure Equipment Directive: 2014/68/EU

Standard equipment

- Set point timer/clock card
- ModBus protocol kit for BMS
- Back light display
- Digital pressure and temperature reading
- High pressure control on capacity
- Sequence phase control
- Electronic expansion valves
- Compressor Star/Delta start-up
- Control circuit transformer 400 V/230 V
- Data logger
- Power supply without neutral
- Main switch

- Shell and tube evaporator
- Compressor acoustic box (S version only)

Factory-installed options

- Compressor soft starter
- Double set point
- Power factor correction capacitors
- Automatic circuit breakers
- Mechanical gauges kit (HP and LP manometers)
- Compressor suction valves
- Compressor liquid injection
- Compressor oil cooler
- Compressor oil switch (standard on stepless control option)
- Stepless capacity control
- Antifreeze electrical heater
- Marine application (Cu/Ni) condensers
- Well application condensers
- Partial heat recovery (D)
- Total heat recovery (TR)

Field-installed accessories

- Remote ON/OFF control
- Lonwork protocol kit for BMS or Ethernet
- Bacnet protocol kit for BMS or Ethernet
- Remote keyboard panel
- Sequencer for up to 4 chillers installation
- GSM
- Spring anti-vibration mounts
- Flow switch
- Water filter
- Hydraulic manifolds
- Remote hydro kits with buffer tank, 1 or 2 low or high pressure pump(s), relevant accessories and with or without tank antifreeze heater

Accessories & Options

SYSCREW 440-1550 WATER EVO	Delivery	Abbreviation	Description & Benefit
Set point timer/Clock card	Std	CLK	To schedule 4 different interval time with different active water T setpoint.
Back light display	Std		User Display panel mounted. Suggested for outdoor installation.
Digital pressures and temperatures reading Kit	Std		Pressure Transducers & Sensors to show the Discharge and Suction pressure and temperature during running condition.
High pressure control on capacity	Std		Functions able to protect multistage circuit from High discharge pressure values. Circuit is partloaded whenever the Discharge pressure is too high to prevent HP tripping.
Sequence phases control	Std	PHC	It allows to check the correct sense R-S-T of electric supply phases for 400/3/50 units.
Electronic expansion valves	Std	EEV	It is the device able to control the refrigerant flow on suction line trough a stepper motor in order to keep the superheat as constant as possible.
Control circuit transformer 400V/230V	Std	TRF	Voltage transformer to provide correctly the separated voltage to the auxiliary line.
Data logger	Std	DL	Record continuously the essential thermodynamic operating parameters, during the last hours. This facilitates debug and service activity on field.
Power supply without neutral	Std	3PH	Unit to be supplied with 400/3/50. No need of Neutral cable.
Main switch	Std		Front operated switch-disconnector with direct mounted handle to cut the power Supply Line according CE standards.
Modbus protocol kit for BMS	Std	MBS	It permits the integration of the unit with BMS with Modbus protocol trough RS485 port.
Double set point	Option	DSP	Can manage two different applications (set point) selected by remote dry contact Circuit 1 and Circuit 2. On/Off or Part Load by remote Dry contact.
Antifreeze electric heater kit	Option	EEH	Electrical Heater protects the heat exchanger.
Lonwork protocol kit for BMS	Option	LON	It permits the integration of the unit with BMS with Lonwork Network.
Bacnet protocol kit for BMS	Option	BAC	It permits the integration of the unit with BMS with Bacnet protocol trough RS485 port.
Interface Kit ethernet/webctrl pcos (Modbus & Bacnet already included)	Option	MBS/ETH or BAC/ETH	It permits the integration of the unit with BMS with Modbus or Bacnet protocol trough Ethernet port (TCP/IP).
Softstarter for compressor	Option	SS	An electronic device that automatically starts up the compressors gradually. The starting current can be reduced by up to 40% of the direct on line value.
Power factor corrector capacitors	Option	PFC	The purpose of the power factor corrector capacitor is to minimize the input current distortion and make the current in phase with the voltage. Target is to keep Power Factor about 0.90 in any running condition.
GSM	Option	GSM	Makes it possible to check the working mode or the switching on/off of the unit via SMS. In case of any alarms, the unit sends an SMS to the user.
Automatic circuit breaker	Option	ACB	ACB is an automatically operated electrical switch designed to protect an electrical circuit from damage caused by overload or short circuit. Providing Magnetic and Thermal protection to Fan and Compressor motors.
Mechanical gauges kit (HP and LP manometers)	Option	KM	Pressure gauges that display the operating pressure in the high and low pressure sections of the refrigerant circuit.
Compressor suction valves	Option	CSV	Allow dissecting the compressor from the rest of the refrigerant system for maintenance operations.
Marine application (Cu/Ni) condensers	Option	Cu/Ni	Dedicated execution allowing operation with sea water to reject heat from condensers.
Total heat recovery	Option	TR	Additional exchanger in order to recover 100% of capacity for Domestic Hot Water application.
Desuperheater	Option	DES	Additional exchanger in order to recover 20% of capacity for Domestic Hot Water application.
Well application condensers	Option	WW	Dedicated execution allowing operation with well water (low temperature and high Dt) to reject heat from condensers.
Brine Version	Option	BC	Special Version with dedicate devices on refrigeration system allow the units to operate with brine (ethylene or propylene glycol) down to -8°C.

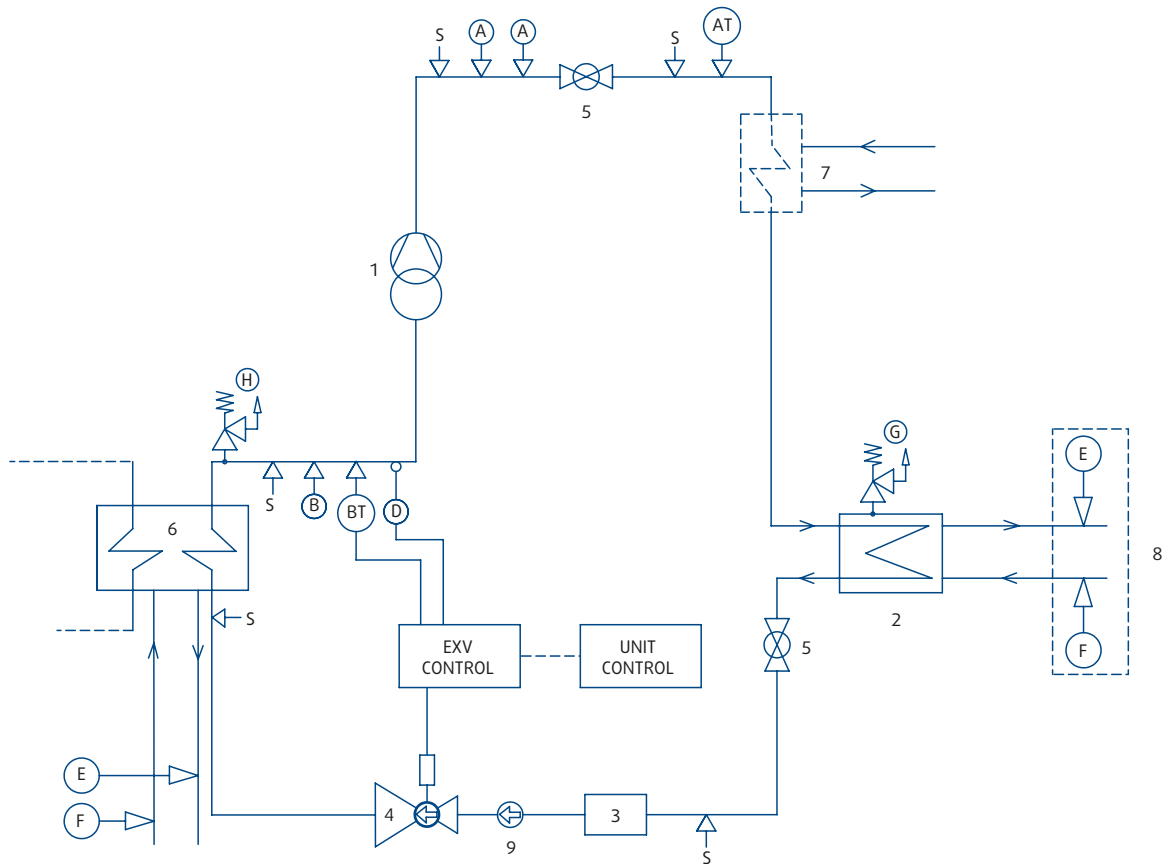
Accessories are loosed and to install in the field. Options are mounted in factory.

Accessories & Options (continued)

SYSCREW 440-1550 WATER EVO	Delivery	Abbreviation	Description & Benefit
Remote On/Off control	Accessory		It enables the operator to power on the unit when it is in standby mode, to display alarms and switch over cooling-heat pump. Maximum length: 50mt.
Remote keyboard panel	Accessory		Makes it possible to control the unit through the remote terminal, up to a maximum distance of 400mt of telephone cable.
Sequencer for up to 4 chillers installation	Accessory	SEQ	It can easily pilot up to 4 units, chiller or heat pumps, belonging to the same family, fitted in parallel, 50 metres apart maximum.
Flow switch	Accessory	FS	Prevents the operation of the unit if the circulating chilled fluid is insufficient. It is recommended to install a flow switch to ensure the correct operation of the unit.
Water filter	Accessory	WF	Filter to remove impurities from the water supply.

Accessories are loosed and to install in the field. Options are mounted in factory.

Refrigerant Flow Diagram - CO/HP versions



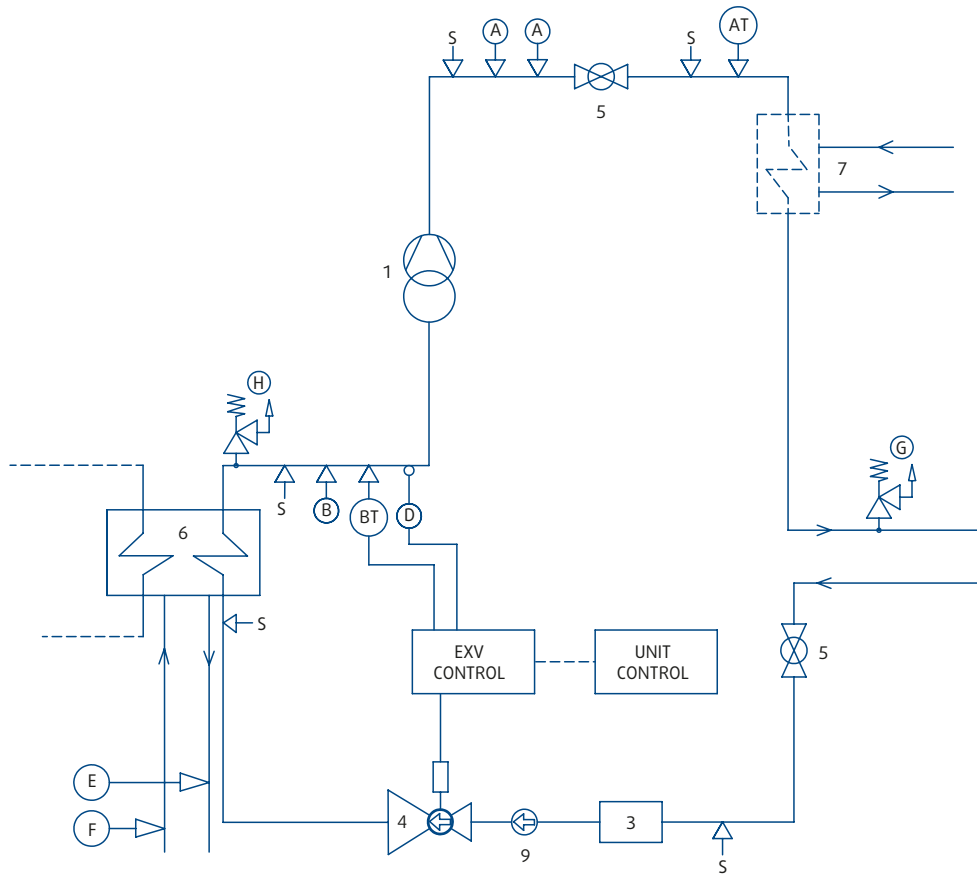
COMPONENTS

- 1 Compressor (Screw type)
- 2 Water condenser
- 3 Filter drier removable cartridge
- 4 Electronic expansion valve
- 5 Globe valve
- 6 Evaporator heat exchanger (Shell&tube type)
- 7 Desuperheater (Optional)
- 8 Water temperature sensor (Only HP version)
- 9 Sight glass

SAFETY/CONTROL DEVICES

- A High pressure switch (19 bar)
- AT High pressure transducer
- B Low pressure switch (0.5 bar)
- BT Low pressure transducer
- D Suction temperature sensor
- E Outlet water temperature sensor
- F Inlet water temperature sensor
- G PED pressure relief valve HP side (21 bar)
- H PED pressure relief valve LP side (14.5 bar)
- S Shradar connection (Service only)
- ↓ Pipe connection with Shradar valve

Refrigerant Flow Diagram - RC version



COMPONENTS

- 1 Compressor (Screw type)
- 3 Filter drier removable cartridge
- 4 Electronic expansion valve
- 5 Globe valve
- 6 Evaporator heat exchanger (Shell&tube type)
- 7 Desuperheater (Optional)
- 9 Sight glass

SAFETY/CONTROL DEVICES

- A High pressure switch (19 bar)
- AT High pressure transducer
- B Low pressure switch (0.5 bar)
- BT Low pressure transducer
- D Suction temperature sensor
- E Outlet water temperature sensor
- F Inlet water temperature sensor
- G PED pressure relief valve HP side (21 bar)
- H PED pressure relief valve LP side (14.5 bar)
- S Schrader connection (Service only)
- ↓ Pipe connection with Schrader valve

Operating Limits

SYSCREW 440-700 WATER EVO CO				440		490		570		630		700	
				Min	Max	Min	Max	Min	Max	Min	Max	Min	Max
Indoor heat exchanger fluid	Leaving water temperature	Water outlet	°C	0 to +15 (from 0 to +5 with Water/Glycol)									
		Brine outlet ¹	°C	-8 to 0									
		Temperature spread	K	+7 to +3									
	Flow rate ²	mc/h	44	120	49	135	56	155	62	173	70	190	
	Pressure drop ²	kPa	10	76	13	97	17	127	21	158	10	75	
Maximum operating pressure			bar	10									
Outdoor heat exchanger fluid	Leaving water temperature	Water outlet	°C	+25 / +45									
		Temperature spread	°K	8 to 3 / up to 15 in case well water condenser are selected									
	Flow rate - circuit 1 ²	mc/h	53	145	60	164	68	188	75	209	85	232	
	Pressure drop - circuit 1 ²	kPa	12	88	15	112	18	141	11	88	15	108	
	Flow rate - circuit 2 ²	mc/h	-	-	-	-	-	-	-	-	-	-	
	Pressure drop - circuit 2 ²	kPa	-	-	-	-	-	-	-	-	-	-	
Maximum operating pressure			bar	10									
Recommended system chilled water volume ³			l	3.053		3.428		3.923		4.350		4.913	
Minimum capacity step			%	50									
Power supply voltage			V	400 V+/-10%, 3 Ø, 50 Hz (nominal)									

SYSCREW 770-1070 WATER EVO CO				770		860		920		990		1070			
				Min	Max	Min	Max	Min	Max	Min	Max	Min	Max		
Indoor heat exchanger fluid	Leaving water temperature	Water outlet	°C	0 to +15 (from 0 to +5 with Water/Glycol)											
		Brine outlet ¹	°C	-8 to 0											
		Temperature spread	K	+7 to +3											
	Flow rate ²	mc/h	77	211	85	237	91	251	98	268	105	292			
	Pressure drop ²	kPa	12	91	24	189	28	212	14	108	16	124			
Maximum operating pressure			bar	10											
Outdoor heat exchanger fluid	Leaving water temperature	Water outlet	°C	+25 / +45											
		Temperature spread	°K	8 to 3 / up to 15 in case well water condenser are selected											
	Flow rate - circuit 1 ²	mc/h	94	256	52	144	55	153	59	163	60	174			
	Pressure drop - circuit 1 ²	kPa	14	106	11	86	13	97	15	111	15	126			
	Flow rate - circuit 2 ²	mc/h	-	-	52	144	55	153	59	163	67	181			
	Pressure drop - circuit 2 ²	kPa	-	-	11	86	13	97	15	111	18	131			
Maximum operating pressure			bar	10											
Recommended system chilled water volume ³			l	5.393		5.933		6.345		6.825		7.358			
Minimum capacity step			%	50		25									
Power supply voltage			V	400 V+/-10%, 3 Ø, 50 Hz (nominal)											

SYSCREW 1130-1550 WATER EVO CO				1130		1220		1280		1400		1550	
				Min	Max	Min	Max	Min	Max	Min	Max	Min	Max
Indoor heat exchanger fluid	Leaving water temperature	Water outlet	°C	0 to +15 (from 0 to +5 with Water/Glycol)									
		Brine outlet ¹	°C	-8 to 0									
		Temperature spread	K	+7 to +3									
	Flow rate ²	mc/h	112	307	121	332	127	351	140	383	152	418	
	Pressure drop ²	kPa	18	137	11	85	12	96	20	147	23	176	
Maximum operating pressure			bar	10									
Outdoor heat exchanger fluid	Leaving water temperature	Water outlet	°C	+25 / +45									
		Temperature spread	°K	8 to 3 / up to 15 in case well water condenser are selected									
	Flow rate - circuit 1 ²	mc/h	68	186	70	187	77	213	85	232	92	255	
	Pressure drop - circuit 1 ²	kPa	18	139	20	141	18	142	12	87	14	104	
	Flow rate - circuit 2 ²	mc/h	68	186	76	215	77	213	85	232	92	255	
	Pressure drop - circuit 2 ²	kPa	18	139	18	145	18	142	12	87	14	104	
Maximum operating pressure			bar	10									
Recommended system chilled water volume ³			l	7.800		8.453		8.858		9.773		10.605	
Minimum capacity step			%	25									
Power supply voltage			V	400 V+/-10%, 3 Ø, 50 Hz (nominal)									

¹ BC version.

² Total unit flow rate and pressure drop are given for conditions 12/7°C 30/35°C.

Caution: Minimum flow rates may only be used with brine solutions after reprogramming unit parameters.

³ Table shows minimum water/brine volume of system (about 7.5 lt/kW).

Operating Limits

SYSCREW 440-700 WATER EVO HP				440		490		570		630		700	
				Min	Max	Min	Max	Min	Max	Min	Max	Min	Max
Indoor heat exchanger fluid	Leaving water temperature	Water outlet	°C	-8 to +15 (from -8 to +5 with Water/Glycol)									
		Temperature spread	K	+7 to +3									
	Flow rate ¹		mc/h	44	120	51	137	58	157	65	175	71	193
	Pressure drop ¹		kPa	13	93	12	87	17	123	21	155	14	102
	Maximum operating pressure		bar	10									
Outdoor heat exchanger fluid	Leaving water temperature	Water outlet	°C	+25 / +60									
		Temperature spread	°K	8 to 3 / up to 15 in case well water condenser are selected									
	Flow rate - circuit 1 ¹		mc/h	53	144	61	165	70	189	78	213	86	233
	Pressure drop - circuit 1 ¹		kPa	8	57	10	75	13	99	17	125	8	57
	Flow rate - circuit 2 ¹		mc/h	-	-	-	-	-	-	-	-	-	-
	Pressure drop - circuit 2 ¹		kPa	-	-	-	-	-	-	-	-	-	-
Maximum operating pressure		bar	10										
Recommended system chilled water volume ²		l	3.720		4.268		4.860		5.460		6.030		
Minimum capacity step		%	50										
Power supply voltage		V	400 V+/-10%, 3 Ø, 50 Hz (nominal)										

SYSCREW 770-1070 WATER EVO HP				770		860		920		990		1070	
				Min	Max	Min	Max	Min	Max	Min	Max	Min	Max
Indoor heat exchanger fluid	Leaving water temperature	Water outlet	°C	-8 to +15 (from -8 to +5 with Water/Glycol)									
		Temperature spread	K	+7 to +3									
	Flow rate ¹		mc/h	78	210	86	234	93	253	101	271	108	290
	Pressure drop ¹		kPa	17	121	15	111	14	105	13	98	17	122
	Maximum operating pressure		bar	10									
Outdoor heat exchanger fluid	Leaving water temperature	Water outlet	°C	+25 / +60									
		Temperature spread	°K	8 to 3 / up to 15 in case well water condenser are selected									
	Flow rate - circuit 1 ¹		mc/h	94	254	52	141	56	153	61	164	60	163
	Pressure drop - circuit 1 ¹		kPa	15	112	7	55	9	64	10	74	10	73
	Flow rate - circuit 2 ¹		mc/h	-	-	52	141	56	153	61	164	69	187
	Pressure drop - circuit 2 ¹		kPa	-	-	7	55	9	64	10	74	10	76
Maximum operating pressure		bar	10										
Recommended system chilled water volume ²		l	6.563		7.268		7.845		8.445		9.060		
Minimum capacity step		%	50		25								
Power supply voltage		V	400 V+/-10%, 3 Ø, 50 Hz (nominal)										

SYSCREW 1130-1550 WATER EVO HP				1130		1220		1280		1400		1550	
				Min	Max	Min	Max	Min	Max	Min	Max	Min	Max
Indoor heat exchanger fluid	Leaving water temperature	Water outlet	°C	-8 to +15 (from -8 to +5 with Water/Glycol)									
		Temperature spread	K	+7 to +3									
	Flow rate ¹		mc/h	114	310	122	331	129	349	142	384	154	416
	Pressure drop ¹		kPa	19	140	22	159	24	176	18	129	21	151
	Maximum operating pressure		bar	10									
Outdoor heat exchanger fluid	Leaving water temperature	Water outlet	°C	+25 / +60									
		Temperature spread	°K	8 to 3 / up to 15 in case well water condenser are selected									
	Flow rate - circuit 1 ¹		mc/h	69	187	69	188	77	211	86	232	93	251
	Pressure drop - circuit 1 ¹		kPa	10	76	10	77	10	77	8	56	9	66
	Flow rate - circuit 2 ¹		mc/h	69	187	78	212	77	211	86	232	93	251
	Pressure drop - circuit 2 ¹		kPa	10	76	10	78	10	77	8	56	9	66
Maximum operating pressure		bar	10										
Recommended system chilled water volume ²		l	9.608		10.260		10.808		12.030		12.990		
Minimum capacity step		%	25										
Power supply voltage		V	400 V+/-10%, 3 Ø, 50 Hz (nominal)										

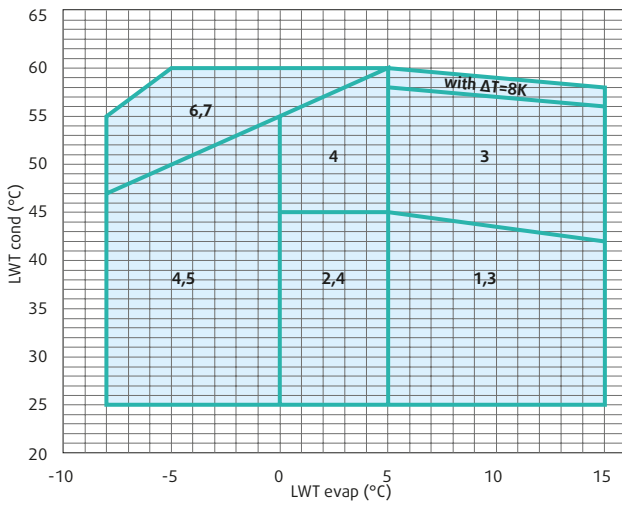
¹ Total unit flow rate and pressure drop are given for conditions 12/7°C 30/35°C.

Caution: Minimum flow rates may only be used with brine solutions after reprogramming unit parameters.

² Table shows minimum water/brine volume of system (about 7.5 lt/kW).

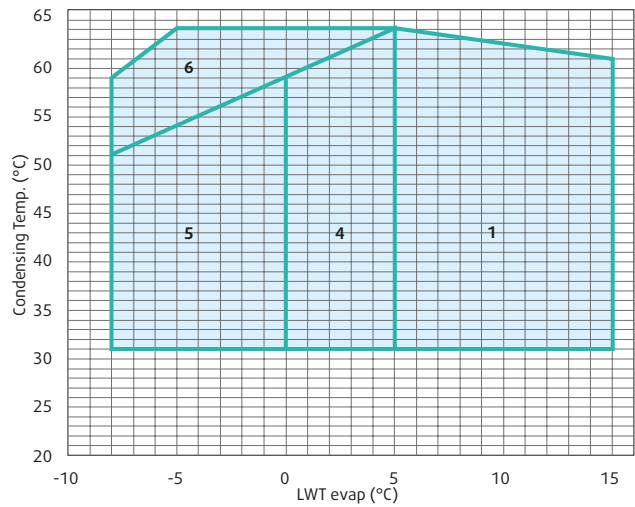
Operating Limits and Correction Factors

CO/HP/BC Version



- 1 Water / CO Version.
- 2 Water + Glycol / CO Version.
- 3 Water / HP Version.
- 4 Water + Glycol / HP Version.
- 5 Brine Version.
- 6 Brine Version + Liquid injection / CO Version.
- 7 Water + Glycol + Liquid injection / HP Version.

RC Version



- 1 Water.
- 4 Water + Glycol.
- 5 Brine Version.
- 6 Brine Version + Liquid injection.

Fouling factors

EVAPORATOR			CONDENSER		
Fouling factor (m ² .°C/kW)	Cooling capacity factor	Power input factor	Fouling factor (m ² .°C/kW)	Cooling capacity factor	Power input factor
0.044	1.000	1.000	0.044	1.000	1.000
0.088	0.987	0.995	0.088	0.987	1.023
0.176	0.964	0.985	0.176	0.955	1.068
0.352	0.915	0.962	0.352	0.910	1.135

Altitude factors

Altitude (m)	Cooling capacity factor	Power input factor
0	1.000	1.000
600	0.987	1.010
1.200	0.973	1.020
1.800	0.958	1.029
2.400	0.943	1.038

Technical Data - SYSCREW WATER EVO CO - STD / S Version - R134a

Model		440	490	570	630	700	770	860	920	
Cooling Capacity ¹	kW	407,3	457,4	522,7	579,9	654,5	718,6	790,9	845,9	
Total Input Power ¹	kW	84,3	96,6	108,9	121,7	138,2	152,2	169,2	181,6	
Total Heat Rejection ¹	kW	491,6	554,0	631,6	701,6	792,7	870,8	960,1	1.027,6	
EER/Energy Efficiency Class ¹		4,83 / B	4,73 / B	4,80 / B	4,76 / B	4,74 / B	4,72 / B	4,67 / B	4,66 / B	
SEER ²		6,48	6,41	6,54	6,50	6,46	6,50	6,51	6,49	
η_{sc} ²		256	253	259	257	255	257	257	257	
Number of Refrigerant Circuits		1	1	1	1	1	1	2	2	
Part Load Steps	%	50-75-100					25-50-62-75-87-100			
Power Supply		400V/3/50Hz								
Start-up Type		SD	SD	SD	SD	SD	SD	SD	SD	
Refrigerant										
Type		R134a								
Compressor										
Number / Type		1 / Screw					2 / Screw			
Internal heat exchanger (Evaporator)										
Number / Type		1 / Shell & tube (Pure counterflow)								
Water connections type		Victaulic								
Water connections size	inch	6	6	6	6	8	8	8	8	
Water flow rate	m ³ /h	70,1	78,7	89,9	99,7	112,6	123,6	136,0	145,5	
Water pressure drop	kPa	26,0	32,8	42,8	52,7	26,0	31,4	62,5	71,5	
Water content	l	171,0	171,0	171,0	171,0	276,0	276,0	275,7	275,7	
External heat exchanger (Condenser)										
Number / Type		1 / Shell & tube					2 / Shell & tube			
Water connections type		Victaulic								
Water connections size (1/2)	inch	4/-	4/-	5/-	5/-	5/-	5/-	4/4	4/4	
Water flow rate (total)	m ³ /h	84,5	95,3	108,6	120,7	136,3	149,8	165,1	176,7	
Water pressure drop cond 1	kPa	30	38	47	29	37	36	28	32	
Water pressure drop cond 2	kPa	-	-	-	-	-	-	28	32	
Water content cond 1	l	44	44	46	62	62	69	44	44	
Water content cond 2	l	-	-	-	-	-	-	44	44	
Acoustic Data / Standard unit										
Sound Power Level ³	dB(A)	95	95	95	95	95	95	98	98	
Sound Pressure Level ⁴	dB(A)	76	76	76	76	76	76	79	79	
Acoustic Data / Extra low noise unit (S)										
Sound Power Level ³	dB(A)	85	85	85	85	85	85	89	89	
Sound Pressure Level ⁴	dB(A)	66	66	66	66	66	66	70	70	
Dimensions / Standard unit										
Length	mm	4.250	4.250	4.210	4.210	4.180	4.180	4.510	4.510	
Width	mm	1.350	1.350	1.350	1.350	1.350	1.350	1.520	1.520	
Height	mm	1.650	1.650	1.650	1.650	1.650	1.650	1.710	1.710	
Dimensions / Extra low noise unit (S)										
Length	mm	4.250	4.250	4.210	4.210	4.180	4.180	4.510	4.510	
Width	mm	1.350	1.350	1.350	1.350	1.350	1.350	1.520	1.520	
Height	mm	1.750	1.750	1.750	1.750	1.750	1.750	1.780	1.780	
Weight / Standard unit										
Shipping	kg	2.475	2.485	2.658	2.770	3.134	3.176	4.636	4.646	
Operating	kg	2.690	2.700	2.875	3.003	3.472	3.521	5.000	5.010	
Weight / Extra low noise unit (S)										
Shipping	kg	2.669	2.679	2.852	2.964	3.328	3.370	5.024	5.034	
Operating	kg	2.884	2.894	3.069	3.197	3.666	3.715	5.388	5.398	

¹ According to EN14511 standard - Cooling mode conditions: evaporator EWT/LWT 12°C/7°C, condenser EWT/LWT 30°C/35°C.

² Following COMMISSION REGULATION (EU) No 2016/2281 for comfort application chillers.

³ Sound power levels refer to standard ISO 3744 and Eurovent 8/1 for units certified. Units at fully loaded conditions.

⁴ Sound pressure levels refers to unit in free field on reflective surface at 1m. Values derived from sound power levels (standard ISO 3744 with parallelepiped shape).

Model		990	1070	1130	1220	1280	1400	1550
Cooling Capacity ¹	kW	910,1	980,9	1.040,5	1.126,8	1.181,4	1.302,9	1.413,8
Total Input Power ¹	kW	192,7	205,2	217,4	231,4	245,1	273,7	304,8
Total Heat Rejection ¹	kW	1.102,8	1.186,1	1.257,9	1.358,2	1.426,4	1.576,7	1.718,5
EER/Energy Efficiency Class ¹		4,72 / B	4,78 / B	4,79 / B	4,87 / B	4,82 / B	4,76 / B	4,64 / C
SEER ²		6,51	6,55	6,62	6,65	6,65	6,65	6,57
η_{sc} ²		257	259	262	263	263	263	260
Number of Refrigerant Circuits		2	2	2	2	2	2	2
Part Load Steps	%	25-50-62-75-87-100						
Power Supply		400V/3/50Hz						
Start-up Type		SD	SD	SD	SD	SD	SD	SD
Refrigerant								
Type		R134a						
Compressor								
Number / Type		2 / Screw						
Internal heat exchanger (Evaporator)								
Number / Type		1 / Shell & tube (Pure counterflow)						
Water connections type		Victaulic						
Water connections size	inch	10	10	10	10	10	10	10
Water flow rate	m ³ /h	156,5	168,7	179,0	193,8	203,2	224,1	243,2
Water pressure drop	kPa	36,6	41,4	46,5	29,1	31,9	50,6	59,6
Water content	l	472,0	458,0	458,0	431,0	431,0	523,0	523,0
External heat exchanger (Condenser)								
Number / Type		2 / Shell & tube						
Water connections type		Victaulic						
Water connections size (1/2)	inch	5/5	5/5	5/5	5/5	5/5	5/5	5/5
Water flow rate (total)	m ³ /h	189,7	204,0	216,4	233,6	245,3	271,2	295,6
Water pressure drop cond 1	kPa	37	38	47	50	47	30	35
Water pressure drop cond 2	kPa	37	47	47	47	47	30	35
Water content cond 1	l	44	44	46	46	53	69	69
Water content cond 2	l	44	46	46	53	53	69	69
Acoustic Data / Standard unit								
Sound Power Level ³	dB(A)	98	98	98	98	98	98	98
Sound Pressure Level ⁴	dB(A)	79	79	79	79	79	79	79
Acoustic Data / Extra low noise unit (S)								
Sound Power Level ³	dB(A)	89	89	89	89	89	89	89
Sound Pressure Level ⁴	dB(A)	70	70	70	70	70	70	70
Dimensions / Standard unit								
Length	mm	4.600	4.650	4.650	4.650	4.650	5.350	5.350
Width	mm	1.520	1.520	1.520	1.520	1.520	1.520	1.520
Height	mm	1.710	1.710	1.710	1.710	1.710	1.710	1.710
Dimensions / Extra low noise unit (S)								
Length	mm	4.690	4.690	4.690	4.690	4.690	5.400	5.400
Width	mm	1.520	1.520	1.520	1.520	1.520	1.520	1.520
Height	mm	1.780	1.780	1.780	1.780	1.780	1.780	1.780
Weight / Standard unit								
Shipping	kg	5.082	5.270	5.462	5.547	5.587	6.037	6.091
Operating	kg	5.642	5.818	6.012	6.077	6.124	6.698	6.752
Weight / Extra low noise unit (S)								
Shipping	kg	5.470	5.658	5.850	5.935	5.975	6.425	6.479
Operating	kg	6.030	6.206	6.400	6.465	6.512	7.086	7.140

¹ According to EN14511 standard - Cooling mode conditions: evaporator EWT/LWT 12°C/7°C, condenser EWT/LWT 30°C/35°C.

² Following COMMISSION REGULATION (EU) No 2016/2281 for comfort application chillers.

³ Sound power levels refer to standard ISO 3744 and Eurovent 8/1 for units certified. Units at fully loaded conditions.

⁴ Sound pressure levels refers to unit in free field on reflective surface at 1m. Values derived from sound power levels (standard ISO 3744 with parallelepiped shape).

Technical Data - SYSCREW WATER EVO CO - STD / S Version - R513A

Model		440	490	570	630	700	770	860	920	
Cooling Capacity ¹	kW	418,6	471,6	539,3	601,9	664,4	734,6	825,0	874,1	
Total Input Power ¹	kW	88,1	101,1	115,1	127,5	144,0	158,7	177,2	190,3	
Total Heat Rejection ¹	kW	506,7	572,7	654,3	729,4	808,4	893,4	1.002,2	1.064,3	
EER/Energy Efficiency Class ¹		4,75 / B	4,67 / B	4,69 / B	4,72 / B	4,61 / C	4,63 / C	4,66 / B	4,59 / C	
SEER ²		6,38	6,38	6,52	6,42	6,38	6,38	6,41	6,41	
η_{sc} ²		252	252	258	254	252	252	254	253	
Number of Refrigerant Circuits		1	1	1	1	1	1	2	2	
Part Load Steps	%	50-75-100					25-50-62-75-87-100			
Power Supply		400V/3/50Hz								
Start-up Type		SD	SD	SD	SD	SD	SD	SD	SD	
Refrigerant										
Type		R513A								
Compressor										
Number / Type		1 / Screw					2 / Screw			
Internal heat exchanger (Evaporator)										
Number / Type		1 / Shell & tube (Pure counterflow)								
Water connections type		Victaulic								
Water connections size	inch	6	6	6	6	8	8	8	8	
Water flow rate	m ³ /h	72,0	81,1	92,8	103,5	114,3	126,4	141,9	150,3	
Water pressure drop	kPa	27,5	34,9	45,6	56,8	26,8	32,8	68,0	76,4	
Water content	l	171,0	171,0	171,0	171,0	276,0	276,0	275,7	275,7	
External heat exchanger (Condenser)										
Number / Type		1 / Shell & tube					2 / Shell & tube			
Water connections type		Victaulic								
Water connections size (1/2)	inch	4/-	4/-	5/-	5/-	5/-	5/-	4/4	4/4	
Water flow rate (total)	m ³ /h	87,2	98,5	112,5	125,5	139,0	153,7	172,4	183,1	
Water pressure drop cond 1	kPa	32	40	51	32	39	38	31	35	
Water pressure drop cond 2	kPa	-	-	-	-	-	-	31	35	
Water content cond 1	l	44	44	46	62	62	69	44	44	
Water content cond 2	l	-	-	-	-	-	-	44	44	
Acoustic Data / Standard unit										
Sound Power Level ³	dB(A)	95	95	95	95	95	95	98	98	
Sound Pressure Level ⁴	dB(A)	76	76	76	76	76	76	79	79	
Acoustic Data / Extra low noise unit (S)										
Sound Power Level ³	dB(A)	85	85	85	85	85	85	89	89	
Sound Pressure Level ⁴	dB(A)	66	66	66	66	66	66	70	70	
Dimensions / Standard unit										
Length	mm	4.250	4.250	4.210	4.210	4.180	4.180	4.510	4.510	
Width	mm	1.350	1.350	1.350	1.350	1.350	1.350	1.520	1.520	
Height	mm	1.650	1.650	1.650	1.650	1.650	1.650	1.710	1.710	
Dimensions / Extra low noise unit (S)										
Length	mm	4.250	4.250	4.210	4.210	4.180	4.180	4.510	4.510	
Width	mm	1.350	1.350	1.350	1.350	1.350	1.350	1.520	1.520	
Height	mm	1.750	1.750	1.750	1.750	1.750	1.750	1.780	1.780	
Weight / Standard unit										
Shipping	kg	2.475	2.485	2.658	2.770	3.134	3.176	4.636	4.646	
Operating	kg	2.690	2.700	2.875	3.003	3.472	3.521	5.000	5.010	
Weight / Extra low noise unit (S)										
Shipping	kg	2.669	2.679	2.852	2.964	3.328	3.370	5.024	5.034	
Operating	kg	2.884	2.894	3.069	3.197	3.666	3.715	5.388	5.398	

¹ According to EN14511 standard - Cooling mode conditions: evaporator EWT/LWT 12°C/7°C, condenser EWT/LWT 30°C/35°C.

² Following COMMISSION REGULATION (EU) No 2016/2281 for comfort application chillers.

³ Sound power levels refer to standard ISO 3744 and Eurovent 8/1 for units certified. Units at fully loaded conditions.

⁴ Sound pressure levels refers to unit in free field on reflective surface at 1m. Values derived from sound power levels (standard ISO 3744 with parallelepiped shape).

Model		990	1070	1130	1220	1280	1400	1550
Cooling Capacity ¹	kW	936,6	1.019,1	1.071,8	1.159,3	1.226,1	1.334,6	1.457,9
Total Input Power ¹	kW	201,4	215,7	228,1	243,8	257,9	286,3	319,0
Total Heat Rejection ¹	kW	1.137,9	1.234,7	1.299,8	1.403,0	1.484,0	1.620,9	1.776,9
EER/Energy Efficiency Class ¹		4,65 / B	4,73 / B	4,70 / B	4,76 / B	4,75 / B	4,66 / B	4,57 / B
SEER ²		6,41	6,42	6,53	6,51	6,44	6,45	6,42
η_{sc} ²		254	254	258	257	254	255	254
Number of Refrigerant Circuits		2	2	2	2	2	2	2
Part Load Steps	%	25-50-62-75-87-100						
Power Supply		400V/3/50Hz						
Start-up Type		SD	SD	SD	SD	SD	SD	SD
Refrigerant								
Type		R513A						
Compressor								
Number / Type		2 / Screw						
Internal heat exchanger (Evaporator)								
Number / Type		1 / Shell & tube (Pure counterflow)						
Water connections type		Victaulic						
Water connections size	inch	10	10	10	10	10	10	10
Water flow rate	m ³ /h	161,1	175,3	184,3	199,4	210,9	229,5	250,8
Water pressure drop	kPa	38,7	44,6	49,4	30,8	34,4	53,1	63,4
Water content	l	472,0	458,0	458,0	431,0	431,0	523,0	523,0
External heat exchanger (Condenser)								
Number / Type		2 / Shell & tube						
Water connections type		Victaulic						
Water connections size (1/2)	inch	5/5	5/5	5/5	5/5	5/5	5/5	5/5
Water flow rate (total)	m ³ /h	195,7	212,2	223,6	241,3	255,2	278,8	305,6
Water pressure drop cond 1	kPa	40	45	50	51	51	31	38
Water pressure drop cond 2	kPa	40	46	50	52	51	31	38
Water content cond 1	l	44	44	46	46	53	69	69
Water content cond 2	l	44	46	46	53	53	69	69
Acoustic Data / Standard unit								
Sound Power Level ³	dB(A)	98	98	98	98	98	98	98
Sound Pressure Level ⁴	dB(A)	79	79	79	79	79	79	79
Acoustic Data / Extra low noise unit (S)								
Sound Power Level ³	dB(A)	89	89	89	89	89	89	89
Sound Pressure Level ⁴	dB(A)	70	70	70	70	70	70	70
Dimensions / Standard unit								
Length	mm	4.600	4.650	4.650	4.650	4.650	5.350	5.350
Width	mm	1.520	1.520	1.520	1.520	1.520	1.520	1.520
Height	mm	1.710	1.710	1.710	1.710	1.710	1.710	1.710
Dimensions / Extra low noise unit (S)								
Length	mm	4.690	4.690	4.690	4.690	4.690	5.400	5.400
Width	mm	1.520	1.520	1.520	1.520	1.520	1.520	1.520
Height	mm	1.780	1.780	1.780	1.780	1.780	1.780	1.780
Weight / Standard unit								
Shipping	kg	5.082	5.270	5.462	5.547	5.587	6.037	6.091
Operating	kg	5.642	5.818	6.012	6.077	6.124	6.698	6.752
Weight / Extra low noise unit (S)								
Shipping	kg	5.470	5.658	5.850	5.935	5.975	6.425	6.479
Operating	kg	6.030	6.206	6.400	6.465	6.512	7.086	7.140

¹ According to EN14511 standard - Cooling mode conditions: evaporator EWT/LWT 12°C/7°C, condenser EWT/LWT 30°C/35°C.

² Following COMMISSION REGULATION (EU) No 2016/2281 for comfort application chillers.

³ Sound power levels refer to standard ISO 3744 and Eurovent 8/1 for units certified. Units at fully loaded conditions.

⁴ Sound pressure levels refers to unit in free field on reflective surface at 1m. Values derived from sound power levels (standard ISO 3744 with parallelepiped shape).

Technical Data - SYSCREW WATER EVO HP - STD / S Version R134a

Model		440	490	570	630	700	770	860	920
Cooling Capacity ¹	kW	365,0	422,5	481,8	540,0	591,2	644,1	711,7	772,0
Total Input Power ¹	kW	101,7	115,2	134,9	156,0	171,3	187,7	202,4	215,9
Heating Capacity ¹	kW	465,7	536,4	614,9	691,3	760,5	829,8	911,5	985,1
EER ¹		3,67	3,67	3,57	3,46	3,45	3,43	3,52	3,58
COP ¹		4,58	4,66	4,56	4,43	4,44	4,42	4,50	4,56
Cooling Capacity ²		413,0	474,0	539,0	604,0	663,0	721,0	804,0	869,0
Total Input Power ²		83,4	95,6	111,0	126,0	141,0	154,0	166,0	178,0
Heating Capacity ²	kW	496,0	569,0	648,0	728,0	804,0	875,0	969,0	1046,0
EER / Energy Efficiency Class ²		4,95 / B	4,96 / B	4,88 / B	4,78 / B	4,69 / B	4,68 / B	4,85 / B	4,89 / B
COP ²		5,94	5,95	5,86	5,76	5,69	5,68	5,85	5,88
SEER ³		6,43	6,43	6,48	6,45	6,38	6,65	6,43	6,40
η_{sc} ³		254	254	256	255	252	263	254	253
Number of Refrigerant Circuits		1	1	1	1	1	1	2	2
Part Load Steps	%	50-75-100						25-50-62-75-87-100	
Power Supply		400V/3/50Hz							
Start-up Type		SD	SD	SD	SD	SD	SD	SD	SD
Refrigerant									
Type		R134a							
Compressor									
Number / Type		1 / Screw						2 / Screw	
Internal heat exchanger (Evaporator)									
Number / Type		1 / Shell & tube (Pure counterflow)							
Water connections type		Victaulic							
Water connections size	inch	6	6	6	6	8	8	8	8
Water flow rate ¹	m ³ /h	104,6	121,1	138,1	154,8	169,5	184,6	204,0	221,3
Water pressure drop ¹	kPa	71,7	68,9	96,6	120,2	79,9	94,2	83,6	80,8
Water flow rate ²	m ³ /h	71,0	81,5	92,7	103,9	114,0	124,0	138,3	149,5
Water pressure drop ²	kPa	32,5	30,8	43,2	54,2	35,7	42,2	38,6	36,7
Water content	l	149,5	191,9	183,7	183,7	248,7	248,7	337,8	315,9
External heat exchanger (Condenser)									
Number / Type		1 / Shell & tube						2 / Shell & tube	
Water connections type		Victaulic							
Water connections size (1/2)	inch	4/-	4/-	4/-	4/-	5/-	5/-	4/4	4/4
Water flow rate (total) ¹	m ³ /h	80,1	92,3	105,8	118,9	130,8	142,7	156,8	169,4
Water pressure drop cond 1 ¹	kPa	20	25	32	39	20	36	19	22
Water pressure drop cond 2 ¹	kPa	-	-	-	-	-	-	19	22
Water flow rate (total) ²	m ³ /h	85,3	97,9	111,5	125,2	138,3	150,5	166,7	179,9
Water pressure drop cond 1 ²	kPa	20	26	34	43	20	39	19	22
Water pressure drop cond 2 ²	kPa	-	-	-	-	-	-	19	22
Water content cond 1	l	105,9	105,9	105,9	105,9	168,1	137,6	105,9	105,9
Water content cond 2	l	-	-	-	-	-	-	105,9	105,9
Acoustic Data / Standard unit									
Sound Power Level ⁴	dB(A)	95	95	95	95	95	95	98	98
Sound Pressure Level ⁵	dB(A)	76	76	76	76	76	76	79	79
Acoustic Data / Extra low noise unit (S)									
Sound Power Level ⁴	dB(A)	85	85	85	85	85	85	89	89
Sound Pressure Level ⁵	dB(A)	66	66	66	66	66	66	70	70
Dimensions / Standard unit									
Length	mm	4.590	4.590	4.630	4.630	4.320	4.560	5.110	5.110
Width	mm	1.450	1.450	1.450	1.450	1.450	1.450	1.520	1.520
Height	mm	1.650	1.650	1.650	1.650	1.650	1.650	1.680	1.680
Dimensions / Extra low noise unit (S)									
Length	mm	4.590	4.590	4.630	4.630	4.320	4.560	5.130	5.130
Width	mm	1.450	1.450	1.450	1.450	1.450	1.450	1.520	1.520
Height	mm	1.750	1.750	1.750	1.750	1.750	1.750	1.780	1.780
Weight / Standard unit									
Shipping	kg	2.799	2.888	2.987	2.907	3.610	3.437	5.268	5.313
Operating	kg	3.055	3.186	3.277	3.197	4.027	3.824	5.818	5.841
Weight / Extra low noise unit (S)									
Shipping	kg	2.993	3.082	3.181	3.201	3.804	3.631	5.656	5.701
Operating	kg	3.249	3.380	3.471	3.491	4.221	4.017	6.205	6.229

¹ According to EN14511-3 standard: Cooling / Heating mode conditions: evaporator EWT/LWT 10°C/7°C, condenser EWT/LWT 40°C/45°C.

² According to EN14511-3 standard: Heating mode conditions: evaporator EWT/LWT 12°C/7°C, condenser EWT/LWT 30°C/35°C.

³ Following COMMISSION REGULATION (EU) No 2016/2281 for comfort application chillers.

⁴ Sound power levels refers to standard ISO 3744 and Eurovent 8/1 for units certified. Units at fully loaded conditions.

⁵ Sound pressure levels refers to unit in free field on reflective surface at 1m. Values derived from sound power levels (standard ISO 3744 with parallelepiped shape).

Model		990	1070	1130	1220	1280	1400	1550
Cooling Capacity ¹	kW	833,8	896,2	952,6	1017,7	1072,2	1181,4	1281,9
Total Input Power ¹	kW	229,2	248,4	268,5	287,3	305,4	342,9	370,8
Heating Capacity ¹	kW	1061,2	1142,8	1214,9	1298,2	1368,1	1518,9	1644,6
EER ¹		3,64	3,61	3,55	3,54	3,51	3,45	3,46
COP ¹		4,63	4,6	4,53	4,52	4,48	4,43	4,44
Cooling Capacity ²		936,0	1004,0	1065,0	1137,0	1198,0	1323,0	1432,0
Total Input Power ²		190,0	204,0	218,0	232,0	246,0	282,0	303,0
Heating Capacity ²	kW	1126,0	1208,0	1281,0	1368,0	1441,0	1604,0	1732,0
EER / Energy Efficiency Class ²		4,92 / B	4,92 / B	4,89 / B	4,89 / B	4,86 / B	4,68 / B	4,72 / B
COP ²		5,92	5,92	5,88	5,88	2,85	5,68	5,72
SEER ³		6,43	6,45	6,50	6,48	6,50	6,40	6,73
η_{sc} ³		254	255	257	256	257	253	266
Number of Refrigerant Circuits		2	2	2	2	2	2	2
Part Load Steps	%	25-50-62-75-87-100						
Power Supply		400V/3/50Hz						
Start-up Type		SD	SD	SD	SD	SD	SD	SD
Refrigerant								
Type		R134a						
Compressor								
Number / Type		2 / Screw						
Internal heat exchanger (Evaporator)								
Number / Type		1 / Shell & tube (Pure counterflow)						
Water connections type		Victaulic						
Water connections size	inch	10	10	10	10	10	10	10
Water flow rate ¹	m ³ /h	239,0	256,9	273,1	291,7	307,4	338,7	367,5
Water pressure drop ¹	kPa	75,6	86,8	108,5	123,0	135,9	95,4	111,4
Water flow rate ²	m ³ /h	161,0	172,7	183,2	195,6	206,1	227,6	246,3
Water pressure drop ²	kPa	34,4	43,2	48,6	55,4	61,5	45,2	53,0
Water content	l	411,6	411,6	387,7	387,7	387,7	599,4	599,4
External heat exchanger (Condenser)								
Number / Type		2 / Shell & tube						
Water connections type		Victaulic						
Water connections size (1/2)	inch	4/4	4/5	5/5	5/5	5/5	5/5	5/5
Water flow rate (total) ¹	m ³ /h	182,5	196,6	209,0	223,3	235,3	261,2	282,9
Water pressure drop cond 1 ¹	kPa	25	28	26	29	26	20	23
Water pressure drop cond 2 ¹	kPa	25	23	26	23	26	20	23
Water flow rate (total) ²	m ³ /h	193,7	207,8	220,3	235,3	247,9	275,9	297,9
Water pressure drop cond 1 ²	kPa	26	26	26	26	27	20	23
Water pressure drop cond 2 ²	kPa	26	27	26	27	27	20	23
Water content cond 1	l	105,9	105,9	121,8	121,8	137,6	168,1	168,1
Water content cond 2	l	105,9	121,8	121,8	137,6	137,6	168,1	168,1
Acoustic Data / Standard unit								
Sound Power Level ⁴	dB(A)	98	98	98	98	98	98	98
Sound Pressure Level ⁵	dB(A)	79	79	79	79	79	79	79
Acoustic Data / Extra low noise unit (S)								
Sound Power Level ⁴	dB(A)	89	89	89	89	89	89	89
Sound Pressure Level ⁵	dB(A)	70	70	70	70	70	70	70
Dimensions / Standard unit								
Length	mm	5.100	5.100	5.000	5.000	5.000	5.300	5.300
Width	mm	1.520	1.520	1.520	1.520	1.520	1.580	1.580
Height	mm	1.680	1.680	1.680	1.680	1.680	1.710	1.710
Dimensions / Extra low noise unit (S)								
Length	mm	5.120	5.120	5.020	5.020	5.020	5.320	5.320
Width	mm	1.520	1.520	1.520	1.520	1.520	1.580	1.580
Height	mm	1.780	1.780	1.780	1.780	1.780	1.780	1.780
Weight / Standard unit								
Shipping	kg	5.495	5.929	6.136	6.159	6.181	7.055	7.135
Operating	kg	6.119	6.545	6.768	6.807	6.844	7.991	8.071
Weight / Extra low noise unit (S)								
Shipping	kg	5.883	6.317	6.524	6.547	6.569	7.443	7.523
Operating	kg	6.506	6.932	7.155	7.194	7.232	8.378	8.458

¹ According to EN14511-3 standard: Cooling / Heating mode conditions: evaporator EWT/LWT 10°C/7°C, condenser EWT/LWT 40°C/45°C.

² According to EN14511-3 standard: Heating mode conditions: evaporator EWT/LWT 12°C/7°C, condenser EWT/LWT 30°C/35°C.

³ Following COMMISSION REGULATION (EU) No 2016/2281 for comfort application chillers.

⁴ Sound power levels refers to standard ISO 3744 and Eurovent 8/1 for units certified. Units at fully loaded conditions.

⁵ Sound pressure levels refers to unit in free field on reflective surface at 1m. Values derived from sound power levels (standard ISO 3744 with parallelepiped shape).

Technical Data - SYSCREW WATER EVO HP - STD / S Version R513A

Model		440	490	570	630	700	770	860	920
Cooling Capacity ¹	kW	365,9	418,9	483,2	541,0	595,6	646,6	715,5	772,0
Total Input Power ¹	kW	105,2	118,8	141,3	162,1	171,2	191,3	210,1	223,4
Heating Capacity ¹	kW	470,3	536,5	621,7	698,6	764,7	835,9	923,0	992,7
EER ¹		3,48	3,53	3,42	3,34	3,48	3,38	3,41	3,46
COP ¹		4,46	4,52	4,40	4,31	4,47	4,37	4,39	4,44
Cooling Capacity ²		419,0	479,0	547,0	612,0	673,0	731,0	818,0	882,0
Total Input Power ²		86,5	98,0	115,0	132,0	147,0	156,0	170,0	183,0
Heating Capacity ²	kW	504,0	576,0	661,0	742,0	813,0	887,0	987,0	1064,0
EER / Energy Efficiency Class ²		4,85 / B	4,89 / B	4,75 / B	4,64 / C	4,58 / C	4,69 / B	4,81 / B	4,83 / B
COP ²		5,83	5,88	5,74	5,62	5,53	5,68	5,80	5,83
SEER ³		6,53	6,38	6,40	6,38	6,45	6,60	6,40	6,50
η_{sc} ³		258	252	253	252	255	261	253	257
Number of Refrigerant Circuits		1	1	1	1	1	1	2	2
Part Load Steps	%	50-75-100						25-50-62-75-87-100	
Power Supply		400V/3/50Hz							
Start-up Type		SD	SD	SD	SD	SD	SD	SD	SD
Refrigerant									
Type		R513A							
Compressor									
Number / Type		1 / Screw						2 / Screw	
Internal heat exchanger (Evaporator)									
Number / Type		1 / Shell & tube (Pure counterflow)							
Water connections type		Victaulic							
Water connections size	inch	6	6	6	6	8	8	8	8
Water flow rate ¹	m ³ /h	104,9	120,1	138,5	155,1	170,7	185,3	205,1	221,3
Water pressure drop ¹	kPa	71,7	68,0	96,7	120,1	80,8	94,7	83,1	79,4
Water flow rate ²	m ³ /h	72,1	82,4	94,1	105,3	115,8	125,7	140,7	151,7
Water pressure drop ²	kPa	33,5	31,4	44,5	55,6	36,8	43,4	40,0	37,8
Water content	l	149,5	191,9	183,7	183,7	248,7	248,7	337,8	315,9
External heat exchanger (Condenser)									
Number / Type		1 / Shell & tube						2 / Shell & tube	
Water connections type		Victaulic							
Water connections size (1/2)	inch	4/-	4/-	4/-	4/-	5/-	5/-	4/4	4/4
Water flow rate (total) ¹	m ³ /h	80,9	92,3	106,9	120,2	131,5	143,8	158,8	170,8
Water pressure drop cond 1 ¹	kPa	20	25	32	40	20	37	19	22
Water pressure drop cond 2 ¹	kPa	-	-	-	-	-	-	19	22
Water flow rate (total) ²	m ³ /h	86,7	99,1	113,7	127,6	139,8	152,6	169,8	183,0
Water pressure drop cond 1 ²	kPa	21	27	36	45	20	40	20	23
Water pressure drop cond 2 ²	kPa	-	-	-	-	-	-	20	23
Water content cond 1	l	105,9	105,9	105,9	105,9	168,1	137,6	105,9	105,9
Water content cond 2	l	-	-	-	-	-	-	105,9	105,9
Acoustic Data / Standard unit									
Sound Power Level ⁴	dB(A)	95	95	95	95	95	95	98	98
Sound Pressure Level ⁵	dB(A)	76	76	76	76	76	76	79	79
Acoustic Data / Extra low noise unit (S)									
Sound Power Level ⁴	dB(A)	85	85	85	85	85	85	89	89
Sound Pressure Level ⁵	dB(A)	66	66	66	66	66	66	70	70
Dimensions / Standard unit									
Length	mm	4.590	4.590	4.630	4.630	4.320	4.560	5.110	5.110
Width	mm	1.450	1.450	1.450	1.450	1.450	1.450	1.520	1.520
Height	mm	1.650	1.650	1.650	1.650	1.650	1.650	1.680	1.680
Dimensions / Extra low noise unit (S)									
Length	mm	4.590	4.590	4.630	4.630	4.320	4.560	5.130	5.130
Width	mm	1.450	1.450	1.450	1.450	1.450	1.450	1.520	1.520
Height	mm	1.750	1.750	1.750	1.750	1.750	1.750	1.780	1.780
Weight / Standard unit									
Shipping	kg	2.799	2.888	2.987	2.907	3.610	3.437	5.268	5.313
Operating	kg	3.055	3.186	3.277	3.197	4.027	3.824	5.818	5.841
Weight / Extra low noise unit (S)									
Shipping	kg	2.993	3.082	3.181	3.201	3.804	3.631	5.656	5.701
Operating	kg	3.249	3.380	3.471	3.491	4.221	4.017	6.205	6.229

¹ According to EN14511-3 standard: Cooling / Heating mode conditions: evaporator EWT/LWT 10°C/7°C, condenser EWT/LWT 40°C/45°C.

² According to EN14511-3 standard: Heating mode conditions: evaporator EWT/LWT 12°C/7°C, condenser EWT/LWT 30°C/35°C.

³ Following COMMISSION REGULATION (EU) No 2016/2281 for comfort application chillers.

⁴ Sound power levels refers to standard ISO 3744 and Eurovent 8/1 for units certified. Units at fully loaded conditions.

⁵ Sound pressure levels refers to unit in free field on reflective surface at 1m. Values derived from sound power levels (standard ISO 3744 with parallelepiped shape).

Model		990	1070	1130	1220	1280	1400	1550
Cooling Capacity ¹	kW	828,1	891,5	958,8	1023,8	1078,2	1186,9	1285,5
Total Input Power ¹	kW	236,7	257,3	277,0	298,6	317,4	342,7	377,4
Heating Capacity ¹	kW	1063,0	1146,0	1231,8	1315,8	1386,1	1523,8	1654,6
EER ¹		3,50	3,46	3,46	3,43	3,40	3,46	3,41
COP ¹		4,49	4,45	4,45	4,41	4,37	4,45	4,38
Cooling Capacity ²		946,0	1013,0	1083,0	1156,0	1217,0	1340,0	1451,0
Total Input Power ²		195,0	211,0	227,0	242,0	257,0	297,0	306,0
Heating Capacity ²	kW	1141,0	1222,0	1308,0	1396,0	1470,0	1619,0	1754,0
EER / Energy Efficiency Class ²		4,85 / B	4,80 / B	4,78 / B	4,78 / B	4,74 / B	4,52 / C	4,74 / B
COP ²		5,85	5,80	5,77	5,77	5,73	5,46	5,73
SEER ³		6,40	6,40	6,50	6,48	6,48	6,50	6,70
η_{sc} ³		253	253	257	256	256	257	265
Number of Refrigerant Circuits		2	2	2	2	2	2	2
Part Load Steps	%	25-50-62-75-87-100						
Power Supply		400V/3/50Hz						
Start-up Type		SD	SD	SD	SD	SD	SD	SD
Refrigerant								
Type		R513A						
Compressor								
Number / Type		2 / Screw						
Internal heat exchanger (Evaporator)								
Number / Type		1 / Shell & tube (Pure counterflow)						
Water connections type		Victaulic						
Water connections size	inch	10	10	10	10	10	10	10
Water flow rate ¹	m ³ /h	237,4	255,6	274,9	293,5	309,1	340,3	368,5
Water pressure drop ¹	kPa	76,1	87,6	108,8	123,1	135,8	97,8	113,8
Water flow rate ²	m ³ /h	162,7	174,2	186,3	198,8	209,3	230,5	249,6
Water pressure drop ²	kPa	35,1	44,0	50,2	57,2	63,4	46,4	54,4
Water content	l	411,6	411,6	387,7	387,7	387,7	599,4	599,4
External heat exchanger (Condenser)								
Number / Type		2 / Shell & tube						
Water connections type		Victaulic						
Water connections size (1/2)	inch	4/4	4/5	5/5	5/5	5/5	5/5	5/5
Water flow rate (total) ¹	m ³ /h	182,8	197,1	211,9	226,3	238,4	262,1	284,6
Water pressure drop cond 1 ¹	kPa	25	28	26	29	26	20	23
Water pressure drop cond 2 ¹	kPa	25	23	26	24	26	20	23
Water flow rate (total) ²	m ³ /h	196,3	210,2	225,0	240,1	252,8	278,5	301,7
Water pressure drop cond 1 ²	kPa	27	26	27	28	28	20	24
Water pressure drop cond 2 ²	kPa	27	27	27	28	28	20	24
Water content cond 1	l	105,9	105,9	121,8	121,8	137,6	168,1	168,1
Water content cond 2	l	105,9	121,8	121,8	137,6	137,6	168,1	168,1
Acoustic Data / Standard unit								
Sound Power Level ⁴	dB(A)	98	98	98	98	98	98	98
Sound Pressure Level ⁵	dB(A)	79	79	79	79	79	79	79
Acoustic Data / Extra low noise unit (S)								
Sound Power Level ⁴	dB(A)	89	89	89	89	89	89	89
Sound Pressure Level ⁵	dB(A)	70	70	70	70	70	70	70
Dimensions / Standard unit								
Length	mm	5.100	5.100	5.000	5.000	5.000	5.300	5.300
Width	mm	1.520	1.520	1.520	1.520	1.520	1.580	1.580
Height	mm	1.680	1.680	1.680	1.680	1.680	1.710	1.710
Dimensions / Extra low noise unit (S)								
Length	mm	5.120	5.120	5.020	5.020	5.020	5.320	5.320
Width	mm	1.520	1.520	1.520	1.520	1.520	1.580	1.580
Height	mm	1.780	1.780	1.780	1.780	1.780	1.780	1.780
Weight / Standard unit								
Shipping	kg	5.495	5.929	6.136	6.159	6.181	7.055	7.135
Operating	kg	6.119	6.545	6.768	6.807	6.844	7.991	8.071
Weight / Extra low noise unit (S)								
Shipping	kg	5.883	6.317	6.524	6.547	6.569	7.443	7.523
Operating	kg	6.506	6.932	7.155	7.194	7.232	8.378	8.458

¹ According to EN14511-3 standard: Cooling / Heating mode conditions: evaporator EWT/LWT 10°C/7°C, condenser EWT/LWT 40°C/45°C.

² According to EN14511-3 standard: Heating mode conditions: evaporator EWT/LWT 12°C/7°C, condenser EWT/LWT 30°C/35°C.

³ Following COMMISSION REGULATION (EU) No 2016/2281 for comfort application chillers.

⁴ Sound power levels refers to standard ISO 3744 and Eurovent 8/1 for units certified. Units at fully loaded conditions.

⁵ Sound pressure levels refers to unit in free field on reflective surface at 1m. Values derived from sound power levels (standard ISO 3744 with parallelepiped shape).

Technical Data - SYSCREW WATER EVO RC - STD / S Version R134a

Model		440	490	570	630	700	770	860	920
Cooling Capacity ¹	kW	357,7	405,0	467,3	523,8	579,3	631,2	704,6	764,3
Total Input Power ¹	kW	103,2	116,9	136,2	157,4	173,7	190,4	206,3	220,1
Total Heat Rejection ¹	kW	456,4	525,4	596,4	670,6	745,3	813,2	902,4	975,2
Number of Refrigerant Circuits		1	1	1	1	1	1	2	2
Part Load Steps	%	50-75-100						25-50-62-75-87-100	
Power Supply		400V/3/50Hz							
Start-up Type		SD	SD	SD	SD	SD	SD	SD	SD
Refrigerant									
Type		R134a							
Compressor									
Number / Type		1 / Screw						2 / Screw	
Internal heat exchanger (Evaporator)									
Number / Type		1 / Shall & tube (Pure counterflow)							
Water connections type		Victaulic							
Water connections size	inch	6	6	6	6	8	8	8	8
Water flow rate ¹	m ³ /h	61,5	69,7	80,4	90,1	99,6	108,6	121,2	131,5
Water pressure drop ¹	kPa	32	23	40	50	23	28	31	36
Water content	l	143,0	143,0	171,0	171,0	276,0	276,0	379,0	379,0
Remote condenser refrigerant connections									
Type		To be brazed							
Inlet Diameter circuit 1	inch	1.5/8"	1.5/8"	2.1/8"	2.1/8"	2.1/8"	2.1/8"	1.5/8"	1.5/8"
Outlet Diameter circuit 1	inch	3.1/8"	3.1/8"	3.5/8"	3.5/8"	4.1/8"	4.1/8"	3.1/8"	3.1/8"
Inlet Diameter circuit 2	inch	-	-	-	-	-	-	1.5/8"	1.5/8"
Outlet Diameter circuit 2	inch	-	-	-	-	-	-	3.1/8"	3.1/8"
Acoustic Data / Standard unit									
Sound Power Level ²	dB(A)	95	95	95	95	95	95	98	98
Sound Pressure Level ³	dB(A)	76	76	76	76	76	76	79	79
Acoustic Data / Extra low noise unit (S)									
Sound Power Level ²	dB(A)	85	85	85	85	85	85	89	89
Sound Pressure Level ³	dB(A)	66	66	66	66	66	66	70	70
Dimensions / Standard unit									
Length	mm	3.620	3.620	4.210	4.210	4.180	4.180	4.400	4.400
Width	mm	1.350	1.350	1.350	1.350	1.350	1.350	1.520	1.520
Height	mm	1.650	1.650	1.650	1.650	1.650	1.650	1.710	1.710
Dimensions / Extra low noise unit (S)									
Length	mm	3.620	3.620	4.210	4.210	4.180	4.180	4.650	4.650
Width	mm	1.350	1.350	1.350	1.350	1.350	1.350	1.520	1.520
Height	mm	1.750	1.750	1.750	1.750	1.750	1.750	1.770	1.770
Weight / Standard unit									
Shipping	kg	2.159	2.169	2.285	2.305	2.676	2.716	4.425	4.435
Operating	kg	2.302	2.312	2.456	2.476	2.952	2.992	4.804	4.814
Weight / Extra low noise unit (S)									
Shipping	kg	2.353	2.363	2.479	2.499	2.870	2.910	4.812	4.822
Operating	kg	2.496	2.506	2.650	2.670	3.146	3.186	5.191	5.201

¹ Conditions: evaporator EWT/LWT 12°C/7°C, condensing Temperature 49°C.

² Sound power levels refers to standard ISO 3744 and Eurovent 8/1 for units certified. Units at fully loaded conditions.

³ Sound pressure levels refers to unit in free field on reflective surface at 1m. Values derived from sound power levels (standard ISO 3744 with parallepiped shape).

Model		990	1070	1130	1220	1280	1400	1550
Cooling Capacity ¹	kW	825,5	887,3	943,0	1.007,5	1.061,5	1.169,6	1.269,1
Total Input Power ¹	kW	233,6	253,2	273,6	292,7	311,1	349,5	377,9
Total Heat Rejection ¹	kW	1.050,6	1.131,3	1.202,8	1.285,2	1.354,4	1.503,7	1.628,2
Number of Refrigerant Circuits		2	2	2	2	2	2	2
Part Load Steps	%	25-50-62-75-87-100						
Power Supply		400V/3/50Hz						
Start-up Type		SD	SD	SD	SD	SD	SD	SD
Refrigerant								
Type		R134a						
Compressor								
Number		2 / Screw						
Internal heat exchanger (Evaporator)								
Number		1 / Shall & tube (Pure counterflow)						
Water connections type		Victaulic						
Water connections size	inch	10	10	10	10	10	10	10
Water flow rate ¹	m ³ /h	142,0	152,6	162,2	173,3	182,6	201,2	218,3
Water pressure drop ¹	kPa	33	37	41	25	27	47	56
Water content	l	472,0	458,0	458,0	431,0	431,0	523,0	523,0
Remote condenser refrigerant connections								
Type		To be brazed						
Inlet Diameter circuit 1	inch	1.5/8"	2.1/8"	2.1/8"	2.1/8"	2.1/8"	2.1/8"	2.1/8"
Outlet Diameter circuit 1	inch	3.1/8"	3.1/8"	3.1/8"	3.1/8"	3.1/8"	4.1/8"	4.1/8"
Inlet Diameter circuit 2	inch	1.5/8"	2.1/8"	2.1/8"	2.1/8"	2.1/8"	2.1/8"	2.1/8"
Outlet Diameter circuit 2	inch	3.1/8"	3.1/8"	3.1/8"	3.1/8"	3.1/8"	4.1/8"	4.1/8"
Acoustic Data / Standard unit								
Sound Power Level ²	dB(A)	98	98	98	98	98	98	98
Sound Pressure Level ³	dB(A)	79	79	79	79	79	79	79
Acoustic Data / Extra low noise unit (S)								
Sound Power Level ²	dB(A)	89	89	89	89	89	89	89
Sound Pressure Level ³	dB(A)	70	70	70	70	70	70	70
Dimensions / Standard unit								
Length	mm	4.600	4.650	4.650	4.650	4.650	5.350	5.350
Width	mm	1.520	1.520	1.520	1.520	1.520	1.520	1.520
Height	mm	1.710	1.710	1.710	1.710	1.710	1.710	1.710
Dimensions / Extra low noise unit (S)								
Length	mm	4.650	4.650	4.650	4.650	4.650	5.400	5.400
Width	mm	1.520	1.520	1.520	1.520	1.520	1.520	1.520
Height	mm	1.770	1.770	1.770	1.770	1.770	1.770	1.770
Weight / Standard unit								
Shipping	kg	4.526	4.613	4.673	4.739	4.759	5.073	5.153
Operating	kg	4.998	5.071	5.131	5.170	5.190	5.596	5.676
Weight / Extra low noise unit (S)								
Shipping	kg	4.913	5.000	5.060	5.126	5.146	5.460	5.540
Operating	kg	5.385	5.458	5.518	5.557	5.577	5.983	6.063

¹ Conditions: evaporator EWT/LWT 12°C/7°C, condensing Temperature 49°C.

² Sound power levels refers to standard ISO 3744 and Eurovent 8/1 for units certified. Units at fully loaded conditions.

³ Sound pressure levels refers to unit in free field on reflective surface at 1m. Values derived from sound power levels (standard ISO 3744 with parallelepiped shape).

Technical Data - SYSCREW WATER EVO RC - STD / S Version R513A

Model		440	490	570	630	700	770	860	920
Cooling Capacity ¹	kW	358,6	405,3	472,7	535,6	586,2	638,1	708,9	758,1
Total Input Power ¹	kW	106,9	120,2	143,4	161,4	174,9	192,6	213,7	226,9
Total Heat Rejection ¹	kW	465,8	525,8	614,6	694,0	760,9	828,8	922,3	984,7
Number of Refrigerant Circuits		1	1	1	1	1	1	2	2
Part Load Steps	%	50-75-100						25-50-62-75-87-100	
Power Supply		400V/3/50Hz							
Start-up Type		SD	SD	SD	SD	SD	SD	SD	SD
Refrigerant									
Type		R513A							
Compressor									
Number / Type		1 / Screw						2 / Screw	
Internal heat exchanger (Evaporator)									
Number / Type		1 / Shall & tube (Pure counterflow)							
Water connections type		Victaulic							
Water connections size	inch	6	6	6	6	8	8	8	8
Water flow rate ¹	m ³ /h	61,7	69,7	81,3	92,1	100,8	109,8	121,9	130,4
Water pressure drop ¹	kPa	32	23	40	50	23	28	31	36
Water content	l	143,0	143,0	171,0	171,0	276,0	276,0	379,0	379,0
Remote condenser refrigerant connections									
Type		To be brazed							
Inlet Diameter circuit 1	inch	1.5/8"	1.5/8"	2.1/8"	2.1/8"	2.1/8"	2.1/8"	1.5/8"	1.5/8"
Outlet Diameter circuit 1	inch	3.1/8"	3.1/8"	3.5/8"	3.5/8"	4.1/8"	4.1/8"	3.1/8"	3.1/8"
Inlet Diameter circuit 2	inch	-	-	-	-	-	-	1.5/8"	1.5/8"
Outlet Diameter circuit 2	inch	-	-	-	-	-	-	3.1/8"	3.1/8"
Acoustic Data / Standard unit									
Sound Power Level ²	dB(A)	95	95	95	95	95	95	98	98
Sound Pressure Level ³	dB(A)	76	76	76	76	76	76	79	79
Acoustic Data / Extra low noise unit (S)									
Sound Power Level ²	dB(A)	85	85	85	85	85	85	89	89
Sound Pressure Level ³	dB(A)	66	66	66	66	66	66	70	70
Dimensions / Standard unit									
Length	mm	3.620	3.620	4.210	4.210	4.180	4.180	4.400	4.400
Width	mm	1.350	1.350	1.350	1.350	1.350	1.350	1.520	1.520
Height	mm	1.650	1.650	1.650	1.650	1.650	1.650	1.710	1.710
Dimensions / Extra low noise unit (S)									
Length	mm	3.620	3.620	4.210	4.210	4.180	4.180	4.650	4.650
Width	mm	1.350	1.350	1.350	1.350	1.350	1.350	1.520	1.520
Height	mm	1.750	1.750	1.750	1.750	1.750	1.750	1.770	1.770
Weight / Standard unit									
Shipping	kg	2.159	2.169	2.285	2.305	2.676	2.716	4.425	4.435
Operating	kg	2.302	2.312	2.456	2.476	2.952	2.992	4.804	4.814
Weight / Extra low noise unit (S)									
Shipping	kg	2.353	2.363	2.479	2.499	2.870	2.910	4.812	4.822
Operating	kg	2.496	2.506	2.650	2.670	3.146	3.186	5.191	5.201

¹ Conditions: evaporator EWT/LWT 12°C/7°C, condensing Temperature 49°C.

² Sound power levels refers to standard ISO 3744 and Eurovent 8/1 for units certified. Units at fully loaded conditions.

³ Sound pressure levels refers to unit in free field on reflective surface at 1m. Values derived from sound power levels (standard ISO 3744 with parallepiped shape).

Model		990	1070	1130	1220	1280	1400	1550
Cooling Capacity ¹	kW	817,2	886,2	947,7	1.015,0	1.075,9	1.181,4	1.277,8
Total Input Power ¹	kW	240,7	263,1	284,0	306,3	325,4	348,4	384,4
Total Heat Rejection ¹	kW	1.057,4	1.147,9	1.230,6	1.316,3	1.395,1	1.527,5	1.657,7
Number of Refrigerant Circuits		2	2	2	2	2	2	2
Part Load Steps	%	25-50-62-75-87-100						
Power Supply		400V/3/50Hz						
Start-up Type		SD	SD	SD	SD	SD	SD	SD
Refrigerant								
Type		R513A						
Compressor								
Number		2 / Screw						
Internal heat exchanger (Evaporator)								
Number		1 / Shall & tube (Pure counterflow)						
Water connections type		Victaulic						
Water connections size	inch	10	10	10	10	10	10	10
Water flow rate ¹	m ³ /h	140,6	152,4	163,0	174,6	185,1	203,2	219,8
Water pressure drop ¹	kPa	33	37	41	25	27	47	56
Water content	l	472,0	458,0	458,0	431,0	431,0	523,0	523,0
Remote condenser refrigerant connections								
Type		To be brazed						
Inlet Diameter circuit 1	inch	1.5/8"	2.1/8"	2.1/8"	2.1/8"	2.1/8"	2.1/8"	2.1/8"
Outlet Diameter circuit 1	inch	3.1/8"	3.1/8"	3.1/8"	3.1/8"	3.1/8"	4.1/8"	4.1/8"
Inlet Diameter circuit 2	inch	1.5/8"	2.1/8"	2.1/8"	2.1/8"	2.1/8"	2.1/8"	2.1/8"
Outlet Diameter circuit 2	inch	3.1/8"	3.1/8"	3.1/8"	3.1/8"	3.1/8"	4.1/8"	4.1/8"
Acoustic Data / Standard unit								
Sound Power Level ²	dB(A)	98	98	98	98	98	98	98
Sound Pressure Level ³	dB(A)	79	79	79	79	79	79	79
Acoustic Data / Extra low noise unit (S)								
Sound Power Level ²	dB(A)	89	89	89	89	89	89	89
Sound Pressure Level ³	dB(A)	70	70	70	70	70	70	70
Dimensions / Standard unit								
Length	mm	4.600	4.650	4.650	4.650	4.650	5.350	5.350
Width	mm	1.520	1.520	1.520	1.520	1.520	1.520	1.520
Height	mm	1.710	1.710	1.710	1.710	1.710	1.710	1.710
Dimensions / Extra low noise unit (S)								
Length	mm	4.650	4.650	4.650	4.650	4.650	5.400	5.400
Width	mm	1.520	1.520	1.520	1.520	1.520	1.520	1.520
Height	mm	1.770	1.770	1.770	1.770	1.770	1.770	1.770
Weight / Standard unit								
Shipping	kg	4.526	4.613	4.673	4.739	4.759	5.073	5.153
Operating	kg	4.998	5.071	5.131	5.170	5.190	5.596	5.676
Weight / Extra low noise unit (S)								
Shipping	kg	4.913	5.000	5.060	5.126	5.146	5.460	5.540
Operating	kg	5.385	5.458	5.518	5.557	5.577	5.983	6.063

¹ Conditions: evaporator EWT/LWT 12°C/7°C, condensing Temperature 49°C.

² Sound power levels refers to standard ISO 3744 and Eurovent 8/1 for units certified. Units at fully loaded conditions.

³ Sound pressure levels refers to unit in free field on reflective surface at 1m. Values derived from sound power levels (standard ISO 3744 with parallelepiped shape).

Electrical data - SYSCREW 440-1550 WATER EVO CO - R134a

Compressors @ 400V/3/50Hz

Size	System	Frame	Com-pressor start mode	Nominal absorbed power	Nominal absorbed current	Maximum absorbed power	Max absorbed current FLA	Start-up current LRA	Nominal power factor	Corrected power factor*	Carter oil absorbed power (230Vac)
				kW	A	kW	A	A	-	-	W
440	1	1	S/D	82	137	132	233	318	0,86	> 0.90	300
490	1	1	S/D	94	157	147	266	436	0,87	> 0.90	300
570	1	1	S/D	107	175	167	306	465	0,89	> 0.90	300
630	1	1	S/D	120	203	186	345	586	0,85	> 0.90	300
700	1	1	S/D	136	227	220	378	650	0,86	> 0.90	300
770	1	1	S/D	150	255	240	411	805	0,86	> 0.90	300
860	1	2	S/D	82	137	132	233	318	0,86	> 0.90	300
	2		S/D	82	137	132	233	318	0,86	> 0.90	300
920	1	2	S/D	82	137	132	233	318	0,86	> 0.90	300
	2		S/D	93	156	147	266	436	0,87	> 0.90	300
990	1	2	S/D	95	158	147	266	436	0,86	> 0.90	300
	2		S/D	95	158	147	266	436	0,86	> 0.90	300
1070	1	2	S/D	95	158	147	266	436	0,87	> 0.90	300
	2		S/D	108	176	167	306	465	0,89	> 0.90	300
1130	1	2	S/D	107	175	167	306	465	0,89	> 0.90	300
	2		S/D	107	175	167	306	465	0,89	> 0.90	300
1220	1	2	S/D	109	177	167	306	465	0,89	> 0.90	300
	2		S/D	124	209	186	345	586	0,85	> 0.90	300
1280	1	2	S/D	123	207	186	345	586	0,85	> 0.90	300
	2		S/D	123	207	186	345	586	0,85	> 0.90	300
1400	1	2	S/D	136	227	220	378	650	0,86	> 0.90	300
	2		S/D	136	227	220	378	650	0,86	> 0.90	300
1550	1	2	S/D	148	250	240	411	805	0,86	> 0.90	300
	2		S/D	148	250	240	411	805	0,86	> 0.90	300

Units @ 400 V/3 Ph/50 Hz

STD - S Version		440	490	570	630	700	770	860	920	990	1070	1130	1220	1280	1400	1550	
Current input	Nominal	A	137	157	175	203	227	255	274	293	316	334	350	386	414	454	500
	Maximum	A	233	266	306	345	378	411	466	499	532	572	612	651	690	756	822
Power input	Nominal	kW	82	94	107	120	136	150	164	175	190	203	215	233	245	272	296
	Maximum	kW	132	147	167	186	220	240	264	279	294	314	334	353	372	440	480
Max Start-up current	A	318	436	465	586	650	805	551	669	702	731	771	892	931	1.028	1.216	
Unit fuses	A	250	315	315	400	400	500	630	630	630	630	630	800	800	800	1.000	
Phase wire section	mm ²	120	185	185	240	240	2x185	2x185	2x185	2x185	2x185	2x185	2x240	2x240	2x240	2x300	

* Power factor correction capacitor option installed.

Electrical data - SYSCREW 440-1550 WATER EVO CO - R513A

Compressors @ 400V/3/50Hz

Size	System	Frame	Com-pressor start mode	Nominal absorbed power	Nominal absorbed current	Maximum absorbed power	Max absorbed current FLA	Start-up current LRA	Nominal power factor	Corrected power factor*	Carter oil absorbed power (230Vac)
				kW	A	kW	A	A	-	-	W
440	1	1	S/D	86	143	132	233	318	0,86	> 0.90	300
490	1	1	S/D	98	163	147	266	436	0,87	> 0.90	300
570	1	1	S/D	111	180	167	306	465	0,89	> 0.90	300
630	1	1	S/D	123	208	186	345	586	0,85	> 0.90	300
700	1	1	S/D	140	233	220	378	650	0,86	> 0.90	300
770	1	1	S/D	155	260	240	411	805	0,86	> 0.90	300
860	1	2	S/D	86	143	132	233	318	0,86	> 0.90	300
	2		S/D	86	143	132	233	318	0,86	> 0.90	300
920	1	2	S/D	86	143	132	233	318	0,86	> 0.90	300
	2		S/D	98	163	147	266	436	0,87	> 0.90	300
990	1	2	S/D	98	163	147	266	436	0,86	> 0.90	300
	2		S/D	98	163	147	266	436	0,86	> 0.90	300
1070	1	2	S/D	98	163	147	266	436	0,87	> 0.90	300
	2		S/D	111	180	167	306	465	0,89	> 0.90	300
1130	1	2	S/D	111	180	167	306	465	0,89	> 0.90	300
	2		S/D	111	180	167	306	465	0,89	> 0.90	300
1220	1	2	S/D	111	180	167	306	465	0,89	> 0.90	300
	2		S/D	125	210	186	345	586	0,85	> 0.90	300
1280	1	2	S/D	125	210	186	345	586	0,85	> 0.90	300
	2		S/D	125	210	186	345	586	0,85	> 0.90	300
1400	1	2	S/D	139	232	220	378	650	0,86	> 0.90	300
	2		S/D	139	232	220	378	650	0,86	> 0.90	300
1550	1	2	S/D	154	259	240	411	805	0,86	> 0.90	300
	2		S/D	154	259	240	411	805	0,86	> 0.90	300

Units @ 400 V/3 Ph/50 Hz

STD - S Version			440	490	570	630	700	770	860	920	990	1070	1130	1220	1280	1400	1550
Current input	Nominal	A	143	163	180	208	233	260	286	306	326	343	360	390	420	464	518
	Maximum	A	233	266	306	345	378	411	466	499	532	572	612	651	690	756	822
Power input	Nominal	kW	86	98	111	123	140	155	171	183	196	209	222	236	250	278	309
	Maximum	kW	132	147	167	186	220	240	264	279	294	314	334	353	372	440	480
Max Start-up current		A	318	436	465	586	650	805	551	669	702	731	771	892	931	1.028	1.216
Unit fuses		A	250	315	315	400	400	500	630	630	630	630	630	800	800	800	1.000
Phase wire section		mm ²	120	185	185	240	240	2x185	2x185	2x185	2x185	2x185	2x185	2x240	2x240	2x240	2x300

* Power factor correction capacitor option installed.

Electrical data - SYSCREW 440-1550 WATER EVO HP - R134a

Compressors @ 400V/3/50Hz

Size	System	Frame	Com-pressor start mode	Nominal absorbed power	Nominal absorbed current	Maximum absorbed power	Max absorbed current FLA	Start-up current LRA	Nominal power factor	Corrected power factor*	Carter oil absorbed power (230Vac)
				kW	A	kW	A	A	-	-	W
440	1	1	S/D	98	163	144	280	436	0,87	> 0.90	300
490	1	1	S/D	111	180	161	310	465	0,89	> 0.90	300
570	1	1	S/D	129	217	188	320	586	0,86	> 0.90	300
630	1	1	S/D	147	244	212	360	650	0,87	> 0.90	300
700	1	1	S/D	165	275	240	413	805	0,87	> 0.90	300
770	1	1	S/D	179	301	259	447	917	0,86	> 0.90	300
860	1	2	S/D	97	161	144	280	436	0,86	> 0.90	300
	2		S/D	97	161	144	280	436	0,86	> 0.90	300
920	1	2	S/D	97	161	144	280	436	0,87	> 0.90	300
	2		S/D	110	179	161	310	465	0,89	> 0.90	300
990	1	2	S/D	110	179	161	310	465	0,89	> 0.90	300
	2		S/D	110	179	161	310	465	0,89	> 0.90	300
1070	1	2	S/D	110	179	161	310	465	0,89	> 0.90	300
	2		S/D	128	215	188	320	586	0,86	> 0.90	300
1130	1	2	S/D	128	215	188	320	586	0,86	> 0.90	300
	2		S/D	128	215	188	320	586	0,86	> 0.90	300
1220	1	2	S/D	128	215	188	320	586	0,86	> 0.90	300
	2		S/D	144	239	212	360	650	0,88	> 0.90	300
1280	1	2	S/D	144	239	212	360	650	0,87	> 0.90	300
	2		S/D	144	239	212	360	650	0,87	> 0.90	300
1400	1	2	S/D	165	275	240	413	805	0,87	> 0.90	300
	2		S/D	165	275	240	413	805	0,87	> 0.90	300
1550	1	2	S/D	177	299	259	447	917	0,86	> 0.90	300
	2		S/D	177	299	259	447	917	0,86	> 0.90	300

Units @ 400 V/3 Ph/50 Hz

STD - S Version		440	490	570	630	700	770	860	920	990	1070	1130	1220	1280	1400	1550	
Current input	Nominal	A	163	180	217	244	275	301	322	340	358	394	430	454	478	550	598
	Maximum	A	280	310	320	360	413	447	560	590	620	630	640	680	720	826	894
Power input	Nominal	kW	98	111	129	147	165	179	195	208	220	238	256	272	289	329	354
	Maximum	kW	155	175	204	222	254	277	310	330	350	379	408	426	444	508	554
Max Start-up current	A	436	465	586	650	805	917	716	745	775	896	906	970	1.010	1.218	1.364	
Unit fuses	A	315	315	400	400	500	500	630	630	630	800	800	800	800	1.000	1.000	
Phase wire section	mm ²	185	185	240	240	2x185	2x185	2x185	2x185	2x185	2x240	2x240	2x240	2x240	2x300	2x300	

* Power factor correction capacitor option installed.

Electrical data - SYSCREW 440-1550 WATER EVO HP - R513A

Compressors @ 400V/3/50Hz

Size	System	Frame	Com-pressor start mode	Nominal absorbed power	Nominal absorbed current	Maximum absorbed power	Max absorbed current FLA	Start-up current LRA	Nominal power factor	Corrected power factor*	Carter oil absorbed power (230Vac)
				kW	A	kW	A	A	-	-	W
440	1	1	S/D	101	168	144	280	436	0,87	> 0.90	300
490	1	1	S/D	114	185	161	310	465	0,89	> 0.90	300
570	1	1	S/D	134	224	188	320	586	0,86	> 0.90	300
630	1	1	S/D	153	252	212	360	650	0,87	> 0.90	300
700	1	1	S/D	174	286	240	413	805	0,87	> 0.90	300
770	1	1	S/D	182	305	259	447	917	0,86	> 0.90	300
860	1	2	S/D	101	168	144	280	436	0,86	> 0.90	300
	2		S/D	101	168	144	280	436	0,86	> 0.90	300
920	1	2	S/D	101	168	144	280	436	0,87	> 0.90	300
	2		S/D	114	185	161	310	465	0,89	> 0.90	300
990	1	2	S/D	114	185	161	310	465	0,89	> 0.90	300
	2		S/D	114	185	161	310	465	0,89	> 0.90	300
1070	1	2	S/D	114	185	161	310	465	0,89	> 0.90	300
	2		S/D	133	222	188	320	586	0,86	> 0.90	300
1130	1	2	S/D	133	222	188	320	586	0,86	> 0.90	300
	2		S/D	133	222	188	320	586	0,86	> 0.90	300
1220	1	2	S/D	133	222	188	320	586	0,86	> 0.90	300
	2		S/D	150	249	212	360	650	0,88	> 0.90	300
1280	1	2	S/D	150	249	212	360	650	0,87	> 0.90	300
	2		S/D	150	249	212	360	650	0,87	> 0.90	300
1400	1	2	S/D	173	283	240	413	805	0,87	> 0.90	300
	2		S/D	173	283	240	413	805	0,87	> 0.90	300
1550	1	2	S/D	180	303	259	447	917	0,86	> 0.90	300
	2		S/D	180	303	259	447	917	0,86	> 0.90	300

Units @ 400 V/3 Ph/50 Hz

STD - S Version		440	490	570	630	700	770	860	920	990	1070	1130	1220	1280	1400	1550	
Current input	Nominal	A	168	185	224	252	286	305	336	353	370	407	444	471	498	566	606
	Maximum	A	280	310	320	360	413	447	560	590	620	630	640	680	720	826	894
Power input	Nominal	kW	101	114	134	153	174	182	202	215	228	247	266	283	300	345	360
	Maximum	kW	155	175	204	222	254	277	310	330	350	379	408	426	444	508	554
Max Start-up current	A	436	465	586	650	805	917	716	745	775	896	906	970	1.010	1.218	1.364	
Unit fuses	A	315	315	400	400	500	500	630	630	630	800	800	800	800	1.000	1.000	
Phase wire section	mm ²	185	185	240	240	2x185	2x185	2x185	2x185	2x185	2x240	2x240	2x240	2x240	2x300	2x300	

* Power factor correction capacitor option installed.

Electrical data - SYSCREW 440-1550 WATER EVO RC - R134a

Compressors @ 400V/3/50Hz

Size	System	Frame	Com-pressor start mode	Nominal absorbed power	Nominal absorbed current	Maximum absorbed power	Max absorbed current FLA	Start-up current LRA	Nominal power factor	Corrected power factor*	Carter oil absorbed power (230Vac)
				kW	A	kW	A	A	-	-	W
440	1	1	S/D	100	166	144	280	436	0,87	> 0.90	300
490	1	1	S/D	111	181	161	310	465	0,89	> 0.90	300
570	1	1	S/D	129	217	188	320	586	0,86	> 0.90	300
630	1	1	S/D	145	242	212	360	650	0,87	> 0.90	300
700	1	1	S/D	168	278	240	413	805	0,87	> 0.90	300
770	1	1	S/D	178	300	259	447	917	0,86	> 0.90	300
860	1	2	S/D	99	165	144	280	436	0,86	> 0.90	300
	2		S/D	99	165	144	280	436	0,86	> 0.90	300
920	1	2	S/D	99	165	144	280	436	0,87	> 0.90	300
	2		S/D	111	181	161	310	465	0,89	> 0.90	300
990	1	2	S/D	113	183	161	310	465	0,89	> 0.90	300
	2		S/D	113	183	161	310	465	0,89	> 0.90	300
1070	1	2	S/D	113	183	161	310	465	0,89	> 0.90	300
	2		S/D	131	220	188	320	586	0,86	> 0.90	300
1130	1	2	S/D	130	218	188	320	586	0,86	> 0.90	300
	2		S/D	130	218	188	320	586	0,86	> 0.90	300
1220	1	2	S/D	132	220	188	320	586	0,86	> 0.90	300
	2		S/D	149	246	212	360	650	0,88	> 0.90	300
1280	1	2	S/D	147	244	212	360	650	0,87	> 0.90	300
	2		S/D	147	244	212	360	650	0,87	> 0.90	300
1400	1	2	S/D	168	278	240	413	805	0,87	> 0.90	300
	2		S/D	168	278	240	413	805	0,87	> 0.90	300
1550	1	2	S/D	176	297	259	447	917	0,86	> 0.90	300
	2		S/D	176	297	259	447	917	0,86	> 0.90	300

Units @ 400 V/3 Ph/50 Hz

STD - S Version			440	490	570	630	700	770	860	920	990	1070	1130	1220	1280	1400	1550
Current input	Nominal	A	166	181	217	242	278	300	330	346	366	403	436	466	488	556	594
	Maximum	A	280	310	320	360	413	447	560	590	620	630	640	680	720	826	894
Power input	Nominal	kW	100	111	129	145	168	178	197	210	225	244	259	280,9	294	335	352
	Maximum	kW	155	175	204	222	254	277	310	330	350	379	408	426	444	508	554
Max Start-up current	A		436	465	586	650	805	917	716	745	775	896	906	970	1.010	1.218	1.364
Unit fuses	A		315	315	400	400	500	500	630	630	630	800	800	800	800	1.000	1.000
Phase wire section	mm ²		185	185	240	240	2x185	2x185	2x185	2x185	2x185	2x240	2x240	2x240	2x240	2x300	2x300

* Power factor correction capacitor option installed.

Electrical data - SYSCREW 440-1550 WATER EVO RC - R513A

Compressors @ 400V/3/50Hz

Size	System	Frame	Com-pressor start mode	Nominal absorbed power	Nominal absorbed current	Maximum absorbed power	Max absorbed current FLA	Start-up current LRA	Nominal power factor	Corrected power factor*	Carter oil absorbed power (230Vac)
				kW	A	kW	A	A	-	-	W
440	1	1	S/D	103	170	144	280	436	0,87	> 0.90	300
490	1	1	S/D	116	188	161	310	465	0,89	> 0.90	300
570	1	1	S/D	137	228	188	320	586	0,86	> 0.90	300
630	1	1	S/D	152	251	212	360	650	0,87	> 0.90	300
700	1	1	S/D	168	278	240	413	805	0,87	> 0.90	300
770	1	1	S/D	184	308	259	447	917	0,86	> 0.90	300
860	1	2	S/D	103	170	144	280	436	0,86	> 0.90	300
	2		S/D	103	170	144	280	436	0,86	> 0.90	300
920	1	2	S/D	103	170	144	280	436	0,87	> 0.90	300
	2		S/D	116	188	161	310	465	0,89	> 0.90	300
990	1	2	S/D	116	188	161	310	465	0,89	> 0.90	300
	2		S/D	116	188	161	310	465	0,89	> 0.90	300
1070	1	2	S/D	116	188	161	310	465	0,89	> 0.90	300
	2		S/D	137	228	188	320	586	0,86	> 0.90	300
1130	1	2	S/D	137	228	188	320	586	0,86	> 0.90	300
	2		S/D	137	228	188	320	586	0,86	> 0.90	300
1220	1	2	S/D	137	228	188	320	586	0,86	> 0.90	300
	2		S/D	154	254	212	360	650	0,88	> 0.90	300
1280	1	2	S/D	154	254	212	360	650	0,87	> 0.90	300
	2		S/D	154	254	212	360	650	0,87	> 0.90	300
1400	1	2	S/D	167	277	240	413	805	0,87	> 0.90	300
	2		S/D	167	277	240	413	805	0,87	> 0.90	300
1550	1	2	S/D	184	308	259	447	917	0,86	> 0.90	300
	2		S/D	184	308	259	447	917	0,86	> 0.90	300

Units @ 400 V/3 Ph/50 Hz

STD - S Version			440	490	570	630	700	770	860	920	990	1070	1130	1220	1280	1400	1550
Current input	Nominal	A	170	188	228	251	278	308	340	358	376	416	456	482	508	554	616
	Maximum	A	280	310	320	360	413	447	560	590	620	630	640	680	720	826	894
Power input	Nominal	kW	103	116	137	152	168	184	206	219	232	253	273	291	308	335	367
	Maximum	kW	155	175	204	222	254	277	310	330	350	379	408	426	444	508	554
Max Start-up current	A		436	465	586	650	805	917	716	745	775	896	906	970	1.010	1.218	1.364
Unit fuses	A		315	315	400	400	500	500	630	630	630	800	800	800	800	1.000	1.000
Phase wire section	mm ²		185	185	240	240	2x185	2x185	2x185	2x185	2x185	2x240	2x240	2x240	2x240	2x300	2x300

* Power factor correction capacitor option installed.

Sound Data

Model	Frequency (Hz)								Sound Power dB(A)	Sound Pressure dB(A)*
	63	125	250	500	1000	2000	4000	8000		
STD Version										
440	54	63	82	90	94	85	72	67	95	76
490	54	63	82	90	94	85	72	67	95	76
570	54	63	82	90	94	85	72	67	95	76
630	54	63	82	90	94	85	72	67	95	76
700	54	63	82	90	94	85	72	67	95	76
770	54	63	82	90	94	85	72	67	95	76
860	75	92	91	98	92	87	71	60	98	79
920	75	92	91	98	92	87	71	60	98	79
990	75	92	91	98	92	87	71	60	98	79
1070	75	92	91	98	92	87	71	60	98	79
1130	75	92	91	98	92	87	71	60	98	79
1220	75	92	91	98	92	87	71	60	98	79
1280	75	92	91	98	92	87	71	60	98	79
1400	75	92	91	98	92	87	71	60	98	79
1550	75	92	91	98	92	87	71	60	98	79
S Version										
440	53	64	73	81	84	74	63	59	85	66
490	53	64	73	81	84	74	63	59	85	66
570	53	64	73	81	84	74	63	59	85	66
630	53	64	73	81	84	74	63	59	85	66
700	53	64	73	81	84	74	63	59	85	66
770	53	64	73	81	84	74	63	59	85	66
860	73	83	82	89	83	78	62	51	89	70
920	73	83	82	89	83	78	62	51	89	70
990	73	83	82	89	83	78	62	51	89	70
1070	73	83	82	89	83	78	62	51	89	70
1130	73	83	82	89	83	78	62	51	89	70
1220	73	83	82	89	83	78	62	51	89	70
1280	73	83	82	89	83	78	62	51	89	70
1400	73	83	82	89	83	78	62	51	89	70
1550	73	83	82	89	83	78	62	51	89	70

* Sound pressure level at 10 m. Values refers to ISO Standard 3744 with parallepiped shape.

Cooling Capacities - SYSREW WATER EVO CO R134a (STD/S)

Model	LWT °C	Condenser LWT (°C)															
		25			30			35			40			45			
		P _{COOL}	P _{ABS}	P _{REJ}	P _{COOL}	P _{ABS}	P _{REJ}	P _{COOL}	P _{ABS}	P _{REJ}	P _{COOL}	P _{ABS}	P _{REJ}	P _{COOL}	P _{ABS}	P _{REJ}	
		kW	kW	kW	kW	kW	kW	kW	kW	kW	kW	kW	kW	kW	kW	kW	
440	5	418,7	64,8	484,7	399,9	72,7	474,0	379,7	81,6	462,9	358,0	91,5	451,3	334,9	102,4	439,3	
	6	433,5	65,0	499,8	414,4	72,9	488,7	393,6	81,9	477,2	371,5	91,8	465,1				
	7	448,3	65,2	514,8	428,8	73,1	503,4	407,6	82,1	491,4	384,9	92,1	478,9				
	8	464,2	65,4	530,9	444,2	73,4	519,1	422,6	82,4	506,7	399,4	92,5	493,7				
	9	480,1	65,6	547,0	459,7	73,6	534,8	437,6	82,7	522,0	413,9	92,8	508,6				
	10	496,0	65,8	563,1	475,2	73,9	550,5	452,6	83,0	537,3	428,4	93,1	523,4				
	11	511,9	65,9	579,2	490,6	74,1	566,2	467,6	83,3	552,5	442,9	93,4	538,2				
	12	529,3	66,1	596,7	507,5	74,3	583,3	484,0	83,6	569,2	458,8	93,8	554,4				
	13	546,6	66,3	614,2	524,4	74,6	600,4	500,4	83,9	585,9	474,7	94,1	570,7				
	14	564,0	66,4	631,7	541,3	74,8	617,5	516,8	84,2	602,6	490,5	94,5	586,9				
	15	581,3	66,6	649,3	558,1	75,0	634,7	533,2	84,4	619,3	506,4	94,8	603,1				
	490	5	470,5	74,0	546,0	449,5	83,0	534,1	426,7	93,2	521,8	402,4	104,5	509,0	376,5	116,8	495,6
		6	487,0	74,2	562,7	465,5	83,3	550,4	442,2	93,5	537,6	417,4	104,8	524,3			
		7	503,4	74,5	579,4	481,5	83,6	566,7	457,8	93,8	553,5	432,3	105,2	539,6			
		8	521,0	74,7	597,3	498,6	83,9	584,2	474,4	94,2	570,4	448,4	105,6	556,1			
9		538,7	75,0	615,1	515,7	84,2	601,6	491,0	94,5	587,4	464,5	106,0	572,6				
10		556,3	75,2	633,0	532,9	84,5	619,0	507,6	94,9	604,4	480,5	106,4	589,0				
11		573,9	75,5	650,9	550,0	84,8	636,5	524,2	95,2	621,4	496,6	106,8	605,5				
12		593,0	75,7	670,2	568,6	85,1	655,4	542,3	95,6	639,8	514,1	107,2	623,5				
13		612,2	75,9	689,6	587,3	85,4	674,4	560,4	96,0	658,3	531,7	107,7	641,5				
14		631,3	76,2	709,0	605,9	85,7	693,3	578,5	96,4	676,8	549,2	108,1	659,5				
15		650,5	76,4	728,4	624,6	86,0	712,3	596,7	96,7	695,3	566,7	108,5	677,4				
570		5	536,5	82,6	621,6	512,8	92,8	608,4	488,2	104,2	595,5	462,7	116,8	583,0	436,2	130,6	570,7
		6	555,1	83,0	640,6	530,9	93,2	626,9	505,7	104,7	613,5	479,5	117,3	600,3			
		7	573,7	83,4	659,6	548,9	93,6	645,3	523,1	105,1	631,4	496,4	117,8	617,7			
		8	593,6	83,7	679,8	568,2	94,0	665,0	541,8	105,6	650,5	514,4	118,3	636,3			
	9	613,4	84,1	700,0	587,5	94,4	684,7	560,5	106,0	669,7	532,5	118,8	654,8				
	10	633,3	84,4	720,2	606,7	94,8	704,4	579,1	106,5	688,8	550,5	119,3	673,4				
	11	653,1	84,8	740,4	626,0	95,3	724,1	597,8	107,0	708,0	568,5	119,9	692,0				
	12	674,7	85,1	762,3	647,0	95,6	745,5	618,1	107,4	728,8	588,2	120,4	712,2				
	13	696,3	85,4	784,2	667,9	96,0	766,8	638,4	107,9	749,6	607,9	120,9	732,4				
	14	717,8	85,7	806,0	688,9	96,4	788,1	658,8	108,4	770,4	627,5	121,5	752,6				
	15	739,4	86,0	827,9	709,8	96,8	809,5	679,1	108,8	791,2	647,2	122,0	772,9				
	630	5	594,9	92,7	689,4	569,0	104,1	675,2	542,1	117,0	661,4	514,1	131,2	647,9	485,1	146,7	634,7
		6	615,3	93,1	710,3	588,8	104,6	695,5	561,3	117,4	681,1	532,7	131,7	667,0			
		7	635,7	93,5	731,1	608,6	105,0	715,7	580,5	117,9	700,8	551,2	132,2	686,1			
		8	657,5	93,9	753,2	629,8	105,4	737,3	601,0	118,4	721,8	571,0	132,7	706,4			
9		679,2	94,2	775,3	650,9	105,9	758,9	621,5	118,9	742,8	590,9	133,3	726,8				
10		701,0	94,6	797,5	672,1	106,3	780,5	642,0	119,4	763,8	610,7	133,8	747,2				
11		722,7	95,0	819,6	693,2	106,7	802,1	662,5	119,9	784,8	630,5	134,4	767,6				
12		746,3	95,3	843,5	716,1	107,1	825,4	684,7	120,4	807,5	652,1	135,0	789,8				
13		769,9	95,6	867,4	739,1	107,5	848,8	707,0	120,9	830,3	673,7	135,5	811,9				
14		793,5	95,9	891,3	762,0	108,0	872,1	729,3	121,4	853,0	695,3	136,1	834,1				
15		817,0	96,2	915,2	784,9	108,4	895,5	751,5	121,8	875,8	716,8	136,6	856,2				
700		5	675,7	106,3	784,1	643,7	119,2	765,2	610,2	133,3	746,2	575,3	148,8	727,1	539,1	165,4	707,8
		6	699,7	106,8	808,7	666,9	119,7	789,1	632,6	134,0	769,3	596,8	149,5	749,3			
		7	723,8	107,3	833,2	690,1	120,3	812,9	654,9	134,7	792,3	618,2	150,3	771,5			
		8	749,4	107,7	859,2	714,9	120,9	838,2	678,8	135,3	816,8	641,2	151,0	795,2			
	9	775,0	108,1	885,3	739,7	121,4	863,5	702,7	136,0	841,4	664,1	151,8	818,9				
	10	800,6	108,5	911,3	764,5	121,9	888,8	726,6	136,6	865,9	687,1	152,5	842,6				
	11	826,2	108,9	937,3	789,3	122,5	914,2	750,5	137,3	890,5	710,0	153,2	866,3				
	12	853,9	109,2	965,3	816,1	122,9	941,4	776,4	137,8	917,0	735,0	153,9	892,0				
	13	881,6	109,5	993,3	842,9	123,4	968,7	802,3	138,4	943,5	760,0	154,7	917,7				
	14	909,2	109,8	1021,3	869,7	123,8	996,0	828,3	139,0	970,1	785,0	155,4	943,4				
	15	936,9	110,1	1049,2	896,5	124,3	1023,3	854,2	139,6	996,6	810,0	156,1	969,2				

Cooling Capacities - SYSCREW WATER EVO CO R134a (STD/S) (continue)

Model	LWT °C	Condenser LWT (°C)															
		25			30			35			40			45			
		P _{COOL}	P _{ABS}	P _{REJ}	P _{COOL}	P _{ABS}	P _{REJ}	P _{COOL}	P _{ABS}	P _{REJ}	P _{COOL}	P _{ABS}	P _{REJ}	P _{COOL}	P _{ABS}	P _{REJ}	
		kW	kW	kW	kW	kW	kW	kW	kW	kW	kW	kW	kW	kW	kW	kW	
770	5	741,4	117,1	860,9	706,8	131,2	840,6	670,5	146,8	820,2	632,6	163,9	799,7	593,1	182,2	779,0	
	6	767,5	117,6	887,5	732,0	131,8	866,5	694,8	147,5	845,3	655,9	164,7	823,8				
	7	793,6	118,1	914,1	757,2	132,5	892,3	719,1	148,3	870,3	679,2	165,5	848,0				
	8	821,3	118,6	942,2	784,1	133,0	919,8	745,0	149,0	897,0	704,2	166,3	873,8				
	9	849,0	119,0	970,4	810,9	133,6	947,2	770,9	149,7	923,6	729,1	167,1	899,5				
	10	876,7	119,5	998,6	837,7	134,2	974,6	796,8	150,4	950,2	754,1	167,9	925,3				
	11	904,4	119,9	1026,7	864,6	134,8	1002,1	822,8	151,1	976,9	779,0	168,7	951,1				
	12	934,2	120,3	1056,9	893,5	135,3	1031,5	850,8	151,7	1005,5	806,1	169,5	978,9				
	13	964,0	120,6	1087,0	922,4	135,8	1060,9	878,8	152,4	1034,2	833,1	170,2	1006,7				
	14	993,7	120,9	1117,1	951,4	136,3	1090,4	906,8	153,0	1062,9	860,2	171,0	1034,6				
	15	1023,5	121,3	1147,2	980,3	136,8	1119,8	934,8	153,6	1091,5	887,2	171,8	1062,4				
	860	5	812,4	129,2	944,2	777,2	144,9	925,1	739,0	162,8	905,1	697,8	182,7	884,2	653,8	204,3	862,2
		6	840,0	129,6	972,1	804,2	145,4	952,5	765,3	163,3	931,9	723,4	183,2	910,3			
		7	867,5	129,9	1000,1	831,2	145,8	979,9	791,6	163,8	958,7	748,9	183,8	936,4			
		8	896,6	130,3	1029,5	859,6	146,3	1008,8	819,4	164,4	987,1	776,0	184,4	964,1			
9		925,6	130,7	1058,9	888,1	146,7	1037,8	847,2	164,9	1015,4	803,1	185,0	991,8				
10		954,7	131,1	1088,4	916,6	147,2	1066,7	875,1	165,4	1043,8	830,2	185,6	1019,5				
11		983,7	131,4	1117,8	945,1	147,6	1095,7	902,9	166,0	1072,2	857,3	186,2	1047,2				
12		1014,4	131,8	1148,8	975,3	148,1	1126,4	932,6	166,5	1102,4	886,3	186,9	1077,0				
13		1045,2	132,1	1179,9	1005,6	148,5	1157,1	962,3	167,0	1132,7	915,4	187,5	1106,7				
14		1075,9	132,4	1211,0	1035,8	148,9	1187,8	992,0	167,6	1162,9	944,5	188,2	1136,4				
15		1106,6	132,7	1242,0	1066,1	149,4	1218,5	1021,7	168,1	1193,2	973,5	188,8	1166,1				
920		5	869,1	138,3	1011,5	831,7	155,2	991,5	791,1	174,3	970,6	747,2	195,5	948,6	700,3	218,7	925,5
		6	898,2	138,7	1041,0	860,2	155,6	1020,5	818,9	174,8	999,0	774,3	196,1	976,3			
		7	927,3	139,1	1070,6	888,7	156,1	1049,5	846,7	175,4	1027,3	801,3	196,7	1003,9			
		8	957,8	139,5	1101,5	918,7	156,6	1080,0	876,0	176,0	1057,3	829,9	197,4	1033,2			
	9	988,3	140,0	1132,5	948,6	157,1	1110,5	905,3	176,6	1087,2	858,5	198,1	1062,5				
	10	1018,8	140,4	1163,4	978,6	157,6	1140,9	934,7	177,1	1117,1	887,1	198,7	1091,8				
	11	1049,3	140,8	1194,3	1008,6	158,1	1171,4	964,0	177,7	1147,1	915,7	199,4	1121,1				
	12	1081,3	141,2	1226,7	1040,2	158,6	1203,5	995,1	178,3	1178,8	946,2	200,1	1152,3				
	13	1113,3	141,5	1259,1	1071,8	159,1	1235,7	1026,2	178,9	1210,5	976,8	200,8	1183,6				
	14	1145,4	141,9	1291,5	1103,4	159,6	1267,8	1057,4	179,5	1242,3	1007,3	201,5	1214,8				
	15	1177,4	142,3	1323,9	1135,0	160,1	1299,9	1088,5	180,1	1274,0	1037,8	202,2	1246,1				
	990	5	936,2	147,9	1087,1	894,0	165,9	1063,2	848,4	186,3	1038,4	799,4	208,9	1012,5	747,3	233,4	985,4
		6	969,2	148,4	1120,6	926,1	166,5	1095,9	879,5	186,9	1070,2	829,5	209,6	1043,3			
		7	1002,2	148,9	1154,1	958,2	167,0	1128,6	910,7	187,6	1102,0	859,6	210,3	1074,1			
		8	1037,3	149,4	1189,7	992,5	167,6	1163,5	943,9	188,3	1136,0	891,8	211,1	1107,1			
9		1072,5	149,9	1225,3	1026,7	168,3	1198,3	977,2	189,0	1169,9	924,0	211,9	1140,1				
10		1107,6	150,4	1261,0	1060,9	168,9	1233,2	1010,4	189,7	1203,9	956,2	212,7	1173,2				
11		1142,7	150,9	1296,6	1095,2	169,5	1268,0	1043,7	190,4	1237,9	988,4	213,5	1206,2				
12		1180,7	151,3	1335,0	1132,2	170,1	1305,7	1079,8	191,1	1274,7	1023,5	214,3	1242,1				
13		1218,6	151,8	1373,4	1169,2	170,7	1343,3	1115,8	191,9	1311,5	1058,5	215,2	1278,0				
14		1256,5	152,3	1411,8	1206,3	171,3	1381,0	1151,9	192,6	1348,4	1093,5	216,1	1313,9				
15		1294,4	152,7	1450,2	1243,3	171,9	1418,6	1188,0	193,3	1385,2	1128,5	216,9	1349,8				
1070		5	1007,5	156,7	1167,4	963,0	175,9	1142,4	915,5	197,5	1117,0	865,2	221,4	1091,0	812,1	247,5	1064,5
		6	1042,0	157,3	1202,5	996,8	176,6	1177,0	948,5	198,3	1150,8	897,2	222,3	1124,0			
		7	1076,6	157,9	1237,7	1030,6	177,3	1211,5	981,5	199,1	1184,6	929,3	223,2	1156,9			
		8	1112,0	158,5	1273,7	1065,8	178,0	1247,4	1016,1	199,9	1220,0	963,2	224,1	1191,7			
	9	1147,4	159,1	1309,6	1100,9	178,7	1283,2	1050,8	200,7	1255,5	997,0	225,0	1226,5				
	10	1182,8	159,6	1345,6	1136,1	179,4	1319,1	1085,4	201,5	1290,9	1030,9	225,9	1261,3				
	11	1218,2	160,2	1381,6	1171,2	180,1	1354,9	1120,0	202,3	1326,4	1064,8	226,8	1296,1				
	12	1248,3	160,6	1412,1	1205,5	180,7	1389,7	1155,3	203,1	1362,4	1100,2	227,7	1332,5				
	13	1278,4	161,0	1442,6	1239,7	181,3	1424,6	1190,5	203,8	1398,5	1135,6	228,6	1368,8				
	14	1308,5	161,4	1473,1	1273,9	181,9	1459,4	1225,8	204,6	1434,5	1170,9	229,6	1405,1				
	15	1338,6	161,8	1503,6	1308,1	182,5	1494,2	1261,1	205,4	1470,6	1206,3	230,5	1441,4				

Cooling Capacities - SYSREW WATER EVO CO R134a (STD/S) (continue)

Model	LWT °C	Condenser LWT (°C)															
		25			30			35			40			45			
		P _{COOL}	P _{ABS}	P _{REJ}	P _{COOL}	P _{ABS}	P _{REJ}	P _{COOL}	P _{ABS}	P _{REJ}	P _{COOL}	P _{ABS}	P _{REJ}	P _{COOL}	P _{ABS}	P _{REJ}	
		kW	kW	kW	kW	kW	kW	kW	kW	kW	kW	kW	kW	kW	kW	kW	
1130	5	1067,3	165,4	1235,9	1020,9	185,7	1210,4	972,3	208,5	1185,0	921,4	233,8	1159,8	868,3	261,3	1134,8	
	6	1103,0	166,1	1272,4	1056,1	186,5	1246,4	1006,7	209,4	1220,4	954,9	234,8	1194,4				
	7	1138,8	166,8	1308,9	1091,3	187,3	1282,4	1041,2	210,4	1255,7	988,5	235,7	1228,9				
	8	1174,3	167,4	1345,1	1127,2	188,1	1319,1	1076,8	211,2	1292,3	1023,6	236,7	1265,1				
	9	1209,8	168,0	1381,2	1163,1	188,9	1355,7	1112,5	212,1	1328,9	1058,7	237,8	1301,2				
	10	1245,4	168,7	1417,4	1199,0	189,6	1392,4	1148,2	213,0	1365,5	1093,8	238,8	1337,4				
	11	1280,9	169,3	1453,6	1234,8	190,4	1429,0	1183,9	213,9	1402,1	1129,0	239,8	1373,6				
	12	1312,1	169,8	1485,3	1261,2	190,9	1455,9	1217,8	214,7	1436,9	1164,5	240,8	1410,1				
	13	1343,4	170,2	1517,0	1287,5	191,4	1482,8	1251,8	215,5	1471,6	1200,1	241,8	1446,7				
	14	1374,7	170,7	1548,8	1313,9	191,9	1509,7	1285,7	216,3	1506,4	1235,6	242,7	1483,2				
	15	1405,9	171,2	1580,5	1340,2	192,4	1536,5	1319,7	217,1	1541,1	1271,2	243,7	1519,8				
	1220	5	1155,7	176,6	1337,5	1105,6	198,3	1309,8	1052,9	222,6	1282,2	997,7	249,5	1254,7	940,0	278,8	1227,2
		6	1194,0	177,3	1376,7	1143,6	199,2	1348,7	1090,1	223,6	1320,5	1034,0	250,6	1292,1			
		7	1232,4	178,1	1415,8	1181,5	200,0	1387,5	1127,4	224,6	1358,7	1070,3	251,7	1329,5			
		8	1267,9	178,7	1452,0	1219,3	200,9	1426,1	1165,5	225,6	1397,9	1108,2	252,8	1368,5			
9		1303,5	179,4	1488,2	1257,0	201,7	1464,7	1203,7	226,5	1437,0	1146,0	253,9	1407,5				
10		1339,0	180,0	1524,4	1294,8	202,5	1503,3	1241,8	227,5	1476,2	1183,8	255,0	1446,5				
11		1374,5	180,7	1560,6	1332,5	203,3	1541,9	1280,0	228,5	1515,3	1221,6	256,1	1485,4				
12		1407,6	181,4	1605,7	1358,5	204,1	1579,5	1301,1	229,2	1547,4	1239,2	256,6	1503,5				
13		1440,6	182,0	1650,7	1384,5	204,8	1617,0	1322,1	230,0	1579,5	1256,7	257,1	1521,5				
14		1473,7	182,7	1695,8	1410,5	205,5	1654,5	1343,2	230,7	1611,6	1274,2	257,6	1539,5				
15		1506,7	183,4	1740,8	1436,5	206,2	1692,0	1364,3	231,5	1643,6	1291,7	258,1	1557,5				
1280		5	1210,8	187,4	1403,0	1159,7	210,5	1375,5	1105,5	236,4	1347,7	1048,3	264,9	1319,9	988,4	296,1	1291,9
		6	1249,2	188,2	1442,2	1198,3	211,4	1415,0	1143,7	237,4	1387,1	1085,8	266,1	1358,6			
		7	1287,6	189,0	1481,4	1236,9	212,4	1454,6	1181,9	238,5	1426,4	1123,4	267,2	1397,3			
		8	1311,9	189,7	1514,9	1271,1	213,1	1489,6	1219,7	239,5	1465,2	1161,7	268,4	1436,8			
	9	1336,2	190,3	1548,5	1305,4	213,9	1524,7	1257,5	240,5	1504,0	1200,1	269,5	1476,4				
	10	1360,4	190,9	1582,1	1339,6	214,7	1559,7	1295,3	241,5	1542,8	1238,5	270,7	1515,9				
	11	1384,7	191,6	1615,7	1373,9	215,5	1594,8	1333,0	242,5	1581,6	1276,8	271,9	1555,5				
	12	1438,4	192,5	1671,7	1411,7	216,5	1643,1	1361,9	243,4	1620,4	1300,0	272,8	1588,2				
	13	1492,1	193,4	1727,7	1449,5	217,5	1691,4	1390,7	244,4	1659,3	1323,2	273,7	1621,0				
	14	1545,9	194,3	1783,6	1487,3	218,4	1739,8	1419,6	245,3	1698,2	1346,5	274,7	1653,7				
	15	1599,6	195,2	1839,6	1525,1	219,4	1788,1	1448,4	246,3	1737,1	1369,7	275,6	1686,4				
	1400	5	1342,8	210,3	1559,4	1281,4	235,8	1524,2	1217,0	264,0	1488,9	1149,7	294,8	1453,3	1079,8	328,0	1417,6
		6	1389,3	211,2	1606,9	1326,4	236,8	1570,3	1260,3	265,2	1533,5	1191,4	296,1	1496,4			
		7	1435,9	212,1	1654,3	1371,4	237,9	1616,4	1303,7	266,4	1578,1	1233,1	297,5	1539,5			
		8	1485,6	212,8	1704,8	1419,4	238,9	1665,4	1350,1	267,6	1625,7	1277,6	298,8	1585,4			
9		1535,2	213,6	1755,2	1467,5	239,8	1714,5	1396,4	268,8	1673,2	1322,2	300,2	1631,4				
10		1584,9	214,3	1805,6	1515,5	240,8	1763,5	1442,8	269,9	1720,8	1366,8	301,5	1677,4				
11		1634,5	215,1	1856,0	1563,5	241,8	1812,6	1489,1	271,1	1768,4	1411,3	302,9	1723,3				
12		1688,3	215,6	1910,4	1615,6	242,6	1865,5	1539,5	272,2	1819,8	1459,9	304,2	1773,2				
13		1742,1	216,2	1964,8	1667,8	243,4	1918,5	1589,8	273,3	1871,3	1508,4	305,5	1823,0				
14		1796,0	216,7	2019,2	1719,9	244,2	1971,5	1640,2	274,3	1922,7	1556,9	306,8	1872,9				
15		1849,8	217,3	2073,5	1772,0	245,1	2024,4	1690,5	275,4	1974,2	1605,4	308,1	1922,7				
1500		5	1457,2	233,4	1696,5	1390,9	261,6	1659,1	1321,5	292,9	1621,6	1248,9	326,9	1584,0	1173,3	363,7	1546,0
		6	1507,1	234,5	1747,5	1439,2	262,9	1708,7	1368,0	294,3	1669,6	1293,6	328,5	1630,3			
		7	1557,1	235,5	1798,5	1487,6	264,1	1758,2	1414,6	295,6	1717,6	1338,4	330,0	1676,6			
		8	1610,3	236,4	1852,6	1539,0	265,2	1810,9	1464,3	297,0	1768,7	1386,2	331,6	1726,0			
	9	1663,4	237,3	1906,7	1590,5	266,4	1863,5	1514,0	298,4	1819,8	1434,0	333,1	1775,4				
	10	1716,6	238,2	1960,8	1641,9	267,5	1916,2	1563,6	299,8	1870,9	1481,8	334,7	1824,8				
	11	1769,8	239,1	2014,9	1693,4	268,7	1968,8	1613,3	301,1	1922,0	1529,6	336,3	1874,2				
	12	1827,2	239,9	2073,1	1749,1	269,7	2025,6	1667,1	302,4	1977,1	1581,5	337,8	1927,7				
	13	1884,7	240,6	2131,3	1804,8	270,7	2082,3	1721,0	303,7	2032,3	1633,4	339,3	1981,2				
	14	1942,2	241,3	2189,5	1860,5	271,7	2139,0	1774,9	304,9	2087,4	1685,3	340,8	2034,6				
	15	1999,7	242,0	2247,8	1916,2	272,7	2195,8	1828,7	306,2	2142,6	1737,2	342,3	2088,1				

Cooling Capacities - SYSCREW WATER EVO CO R513A (STD/S)

Model	LWT °C	Condenser LWT (°C)															
		25			30			35			40			45			
		P _{COOL}	P _{ABS}	P _{REJ}	P _{COOL}	P _{ABS}	P _{REJ}	P _{COOL}	P _{ABS}	P _{REJ}	P _{COOL}	P _{ABS}	P _{REJ}	P _{COOL}	P _{ABS}	P _{REJ}	
	kW	kW	kW	kW	kW	kW	kW	kW	kW	kW	kW	kW	kW	kW	kW	kW	
440	5	435,7	68,0	505,1	413,9	76,1	491,5	389,8	85,2	476,7	363,8	95,1	460,7	335,9	105,7	443,7	
	6	451,3	68,2	520,9	429,0	76,4	506,9	404,4	85,5	491,6	377,8	95,4	475,1				
	7	466,8	68,5	536,6	444,1	76,6	522,2	419,0	85,7	506,4	391,8	95,7	489,4				
	8	483,4	68,7	553,4	460,2	76,9	538,6	434,6	86,0	522,4	406,8	96,0	504,8				
	9	500,0	68,8	570,2	476,3	77,1	555,0	450,2	86,3	538,3	421,9	96,4	520,2				
	10	516,6	69,0	587,0	492,5	77,4	571,4	465,9	86,6	554,2	436,9	96,7	535,6				
	11	533,1	69,2	603,8	508,6	77,6	587,8	481,5	86,9	570,2	452,0	97,1	551,0				
	12	550,9	69,4	621,7	526,0	77,8	605,4	498,5	87,2	587,4	468,4	97,5	567,8				
	13	568,8	69,6	639,7	543,4	78,1	623,1	515,4	87,5	604,7	484,8	97,8	584,6				
	14	586,6	69,7	657,7	560,9	78,3	640,8	532,4	87,8	622,0	501,2	98,2	601,4				
	15	604,4	69,9	675,6	578,3	78,5	658,4	549,3	88,2	639,3	517,6	98,6	618,2				
	490	5	490,7	77,8	570,0	466,5	87,0	555,2	439,7	97,3	538,9	410,5	108,5	521,2	379,1	120,6	502,1
		6	507,8	78,0	587,4	483,1	87,3	572,2	455,8	97,6	555,4	426,1	108,9	537,2			
		7	524,9	78,3	604,8	499,8	87,6	589,2	472,0	98,0	572,0	441,7	109,3	553,1			
		8	543,0	78,6	623,1	517,5	87,9	607,2	489,2	98,4	589,5	458,3	109,7	570,2			
9		561,1	78,8	641,5	535,2	88,3	625,2	506,4	98,7	607,1	474,9	110,1	587,3				
10		579,2	79,1	659,8	552,9	88,6	643,2	523,6	99,1	624,7	491,6	110,6	604,3				
11		597,3	79,3	678,2	570,6	88,9	661,2	540,8	99,5	642,3	508,2	111,0	621,4				
12		616,1	79,5	697,2	589,3	89,2	680,3	559,3	99,9	661,1	526,2	111,4	639,8				
13		635,0	79,7	716,3	608,0	89,5	699,3	577,7	100,2	679,9	544,1	111,9	658,3				
14		653,9	80,0	735,4	626,8	89,8	718,3	596,1	100,6	698,7	562,1	112,4	676,7				
15		672,7	80,2	754,5	645,5	90,1	737,4	614,5	101,0	717,5	580,0	112,8	695,1				
570		5	559,3	87,7	649,7	532,6	98,2	633,7	503,8	109,9	617,0	473,2	122,5	599,4	440,9	136,1	581,1
		6	578,3	88,1	669,1	551,1	98,7	652,7	521,8	110,4	635,5	490,6	123,1	617,4			
		7	597,2	88,6	688,4	569,6	99,2	671,7	539,8	110,9	654,0	507,9	123,7	635,3			
		8	616,7	89,0	708,3	588,9	99,6	691,5	558,7	111,4	673,5	526,3	124,3	654,3			
	9	636,2	89,3	728,2	608,1	100,1	711,3	577,6	112,0	692,9	544,6	124,8	673,2				
	10	655,7	89,7	748,1	627,4	100,6	731,0	596,4	112,5	712,3	563,0	125,4	692,2				
	11	675,2	90,1	768,0	646,7	101,0	750,8	615,3	113,1	731,8	581,4	126,0	711,2				
	12	694,7	90,4	788,3	666,6	101,5	770,1	634,8	113,6	751,8	600,7	126,6	731,1				
	13	714,2	90,7	808,6	686,5	102,0	789,5	654,2	114,1	771,7	620,1	127,2	751,1				
	14	733,7	91,0	828,9	706,4	102,5	808,8	673,7	114,6	791,7	639,4	127,8	771,1				
	15	753,2	91,2	849,2	726,3	103,0	828,1	693,1	115,1	811,7	658,8	128,4	791,1				
	630	5	622,0	97,7	721,6	593,9	109,4	705,5	563,3	122,4	688,1	530,4	136,6	669,7	495,3	151,9	650,2
		6	642,0	98,0	742,0	613,8	109,8	725,8	582,9	122,9	708,2	549,5	137,1	689,3			
		7	662,0	98,4	762,4	633,7	110,2	746,2	602,5	123,3	728,3	568,6	137,6	708,9			
		8	677,5	98,8	778,3	653,2	110,7	766,1	622,5	123,8	748,8	588,4	138,2	729,4			
9		693,0	99,3	794,2	672,8	111,1	786,0	642,4	124,3	769,2	608,3	138,7	749,8				
10		708,4	99,7	810,1	692,3	111,5	806,0	662,4	124,8	789,7	628,1	139,3	770,2				
11		723,9	100,1	826,0	711,8	111,9	825,9	682,4	125,3	810,2	648,0	139,9	790,6				
12		747,7	100,3	854,1	728,8	112,2	847,2	696,3	125,7	828,2	666,8	140,3	810,0				
13		771,4	100,6	882,2	745,8	112,6	868,4	710,2	126,1	846,2	685,6	140,8	829,3				
14		795,2	100,8	910,3	762,8	113,0	889,7	724,2	126,5	864,2	704,4	141,3	848,6				
15		818,9	101,1	938,4	779,8	113,4	911,0	738,1	126,8	882,2	723,2	141,8	867,9				
700		5	695,7	111,6	809,6	658,6	124,7	785,7	619,4	139,0	761,2	578,4	154,4	735,9	535,8	170,7	709,9
		6	720,4	112,1	834,7	682,3	125,3	810,1	642,1	139,7	784,6	600,1	155,1	758,3			
		7	745,0	112,6	859,8	706,0	125,9	834,4	664,8	140,3	808,0	621,7	155,9	780,7			
		8	771,0	113,0	886,3	731,1	126,4	860,1	689,0	141,0	832,9	644,8	156,6	804,6			
	9	797,0	113,5	912,7	756,3	127,0	885,8	713,2	141,7	857,7	667,9	157,4	828,5				
	10	823,0	113,9	939,2	781,4	127,5	911,5	737,4	142,3	882,6	691,0	158,1	852,3				
	11	849,0	114,3	965,6	806,6	128,1	937,2	761,5	143,0	907,4	714,1	158,9	876,2				
	12	876,3	114,6	993,3	833,3	128,6	964,4	787,5	143,6	934,0	739,1	159,6	901,9				
	13	903,7	115,0	1020,9	860,0	129,0	991,6	813,4	144,2	960,5	764,1	160,3	927,6				
	14	931,0	115,3	1048,6	886,8	129,5	1018,8	839,3	144,8	987,0	789,1	161,0	953,3				
	15	958,3	115,6	1076,2	913,5	129,9	1046,0	865,3	145,4	1013,6	814,0	161,8	979,0				

Cooling Capacities - SYSCREW WATER EVO CO R513A (STD/S) (continue)

Model	LWT °C	Condenser LWT (°C)															
		25			30			35			40			45			
		P _{COOL}	P _{ABS}	P _{REJ}	P _{COOL}	P _{ABS}	P _{REJ}	P _{COOL}	P _{ABS}	P _{REJ}	P _{COOL}	P _{ABS}	P _{REJ}	P _{COOL}	P _{ABS}	P _{REJ}	
		kW	kW	kW	kW	kW	kW	kW	kW	kW	kW	kW	kW	kW	kW	kW	
770	5	768,0	123,0	894,1	728,0	137,3	868,8	685,5	153,0	842,4	640,7	169,9	814,9	593,9	187,9	786,5	
	6	794,7	123,5	921,3	753,8	138,0	895,3	710,3	153,8	868,0	664,4	170,8	839,5				
	7	821,3	124,0	948,5	779,6	138,6	921,7	735,1	154,5	893,5	688,1	171,6	864,0				
	8	849,1	124,5	976,7	806,7	139,2	949,4	761,4	155,2	920,5	713,4	172,4	890,1				
	9	877,0	124,9	1005,0	833,8	139,8	977,1	787,6	155,9	947,5	738,6	173,2	916,1				
	10	904,8	125,4	1033,3	861,0	140,4	1004,9	813,9	156,7	974,4	763,8	174,1	942,2				
	11	932,6	125,8	1061,5	888,1	141,0	1032,6	840,1	157,4	1001,4	789,0	174,9	968,2				
	12	960,4	126,1	1089,6	916,2	141,4	1061,1	867,8	158,0	1029,8	816,0	175,6	996,0				
	13	988,2	126,4	1117,8	944,2	141,9	1089,7	895,5	158,6	1058,1	842,9	176,4	1023,7				
	14	1016,0	126,7	1145,9	972,3	142,4	1118,2	923,2	159,2	1086,5	869,9	177,2	1051,5				
	15	1043,8	127,0	1174,0	1000,4	142,8	1146,8	951,0	159,9	1114,8	896,9	177,9	1079,3				
	860	5	856,9	135,9	995,5	816,1	152,1	971,3	770,6	170,2	944,2	720,6	190,0	914,4	666,5	211,3	882,0
		6	884,7	136,3	1023,7	844,1	152,5	999,7	798,2	170,7	972,3	747,4	190,6	941,8			
		7	912,6	136,6	1052,0	872,1	153,0	1028,1	825,7	171,2	1000,4	774,3	191,2	969,3			
		8	940,6	137,0	1080,3	897,2	153,4	1053,6	853,5	171,8	1028,7	802,3	191,8	998,0			
9		968,6	137,3	1108,6	922,3	153,8	1079,1	881,3	172,3	1057,1	830,3	192,5	1026,6				
10		996,5	137,7	1137,0	947,4	154,2	1104,7	909,1	172,8	1085,4	858,3	193,1	1055,3				
11		1024,5	138,0	1165,3	972,5	154,6	1130,2	936,9	173,4	1113,8	886,3	193,8	1083,9				
12		1063,2	138,4	1204,3	1009,8	155,1	1168,0	967,4	173,9	1144,9	912,5	194,4	1110,8				
13		1101,8	138,8	1243,4	1047,1	155,6	1205,8	997,9	174,5	1175,9	938,8	195,0	1137,6				
14		1140,5	139,1	1282,4	1084,4	156,1	1243,6	1028,4	175,1	1207,0	965,0	195,6	1164,5				
15		1179,2	139,5	1321,5	1121,7	156,7	1281,5	1058,9	175,6	1238,0	991,3	196,2	1191,4				
920		5	906,5	145,5	1054,9	865,2	162,8	1031,3	818,0	182,2	1003,8	765,7	203,3	973,1	708,7	226,1	939,2
		6	932,1	145,9	1080,9	893,3	163,3	1059,9	846,4	182,8	1032,9	793,7	204,0	1001,7			
		7	957,7	146,2	1106,8	921,5	163,8	1088,6	874,9	183,3	1061,9	821,7	204,6	1030,4			
		8	986,3	146,7	1141,3	945,6	164,3	1118,3	895,8	183,9	1088,1	838,9	205,0	1048,0			
	9	1015,0	147,1	1175,8	969,7	164,8	1148,0	916,8	184,4	1114,4	856,1	205,5	1065,7				
	10	1043,6	147,6	1210,2	993,9	165,3	1177,7	937,7	184,9	1140,7	873,3	205,9	1083,3				
	11	1072,2	148,1	1244,7	1018,0	165,8	1207,4	958,6	185,4	1167,0	890,5	206,3	1100,9				
	12	1112,5	148,5	1286,2	1056,9	166,4	1247,7	996,0	186,2	1205,8	932,4	207,3	1143,8				
	13	1152,8	148,9	1327,8	1095,8	167,0	1288,0	1033,3	186,9	1244,7	974,2	208,3	1186,7				
	14	1193,1	149,4	1369,4	1134,6	167,6	1328,3	1070,6	187,7	1283,5	1016,1	209,4	1229,7				
	15	1233,4	149,8	1410,9	1173,5	168,2	1368,5	1108,0	188,4	1322,4	1058,0	210,4	1272,6				
	990	5	974,4	155,5	1133,0	926,1	173,9	1103,5	872,6	194,4	1070,9	814,2	216,9	1035,4	751,4	241,0	997,2
		6	1008,4	156,0	1167,5	959,4	174,5	1137,4	904,9	195,1	1103,9	845,4	217,6	1067,3			
		7	1042,4	156,5	1202,1	992,6	175,1	1171,2	937,2	195,8	1136,9	876,5	218,4	1099,3			
		8	1077,4	157,0	1237,6	1027,4	175,7	1206,7	971,3	196,6	1171,8	909,7	219,2	1133,3			
9		1112,4	157,5	1273,0	1062,2	176,4	1242,1	1005,5	197,3	1206,7	942,8	220,1	1167,3				
10		1147,4	158,0	1308,5	1097,0	177,0	1277,5	1039,6	198,0	1241,6	976,0	220,9	1201,4				
11		1182,4	158,5	1344,0	1131,8	177,6	1313,0	1073,8	198,8	1276,5	1009,2	221,8	1235,4				
12		1218,5	158,9	1380,6	1164,5	178,1	1346,2	1108,6	199,5	1312,1	1044,3	222,7	1271,5				
13		1254,7	159,3	1417,2	1197,1	178,7	1379,3	1143,5	200,2	1347,7	1079,5	223,6	1307,6				
14		1290,8	159,7	1453,7	1229,7	179,2	1412,5	1178,3	201,0	1383,3	1114,7	224,5	1343,7				
15		1326,9	160,2	1490,3	1262,4	179,7	1445,7	1213,2	201,7	1418,9	1149,9	225,4	1379,8				
1070		5	1058,7	165,6	1229,2	1006,7	185,3	1197,5	950,0	207,2	1163,4	888,9	231,0	1126,9	823,8	256,6	1088,2
		6	1095,3	166,2	1266,6	1042,6	186,1	1234,2	984,8	208,0	1199,1	922,5	232,0	1161,5			
		7	1132,0	166,9	1303,9	1078,5	186,8	1270,9	1019,7	208,9	1234,9	956,2	232,9	1196,1			
		8	1164,6	167,5	1337,1	1103,7	187,4	1296,7	1040,3	209,4	1256,0	972,8	233,4	1213,3			
	9	1197,2	168,0	1370,3	1128,9	187,9	1322,5	1060,9	210,0	1277,1	989,5	233,9	1230,4				
	10	1229,9	168,6	1403,5	1154,2	188,4	1348,3	1081,4	210,5	1298,2	1006,2	234,4	1247,6				
	11	1262,5	169,1	1436,7	1179,4	189,0	1374,0	1102,0	211,0	1319,3	1022,9	234,9	1264,8				
	12	1300,2	169,8	1485,7	1230,8	190,0	1426,4	1144,1	212,2	1372,2	1078,7	236,5	1322,3				
	13	1337,9	170,5	1534,8	1282,1	190,9	1478,8	1186,2	213,5	1425,1	1134,5	238,1	1379,7				
	14	1375,7	171,2	1583,8	1333,5	191,9	1531,2	1228,3	214,7	1478,0	1190,3	239,6	1437,2				
	15	1413,4	171,9	1632,8	1384,9	192,9	1583,5	1270,4	215,9	1530,9	1246,2	241,2	1494,6				

Cooling Capacities - SYSCREW WATER EVO CO R513A (STD/S) (continue)

Model	LWT °C	Condenser LWT (°C)															
		25			30			35			40			45			
		P _{COOL}	P _{ABS}	P _{REJ}	P _{COOL}	P _{ABS}	P _{REJ}	P _{COOL}	P _{ABS}	P _{REJ}	P _{COOL}	P _{ABS}	P _{REJ}	P _{COOL}	P _{ABS}	P _{REJ}	
		kW	kW	kW	kW	kW	kW	kW	kW	kW	kW	kW	kW	kW	kW	kW	
1130	5	1111,5	175,5	1290,5	1058,1	196,5	1258,6	1000,4	219,8	1224,6	938,9	245,1	1188,9	873,9	272,2	1151,5	
	6	1148,7	176,4	1328,6	1095,0	197,5	1296,4	1036,5	220,9	1261,7	973,8	246,3	1224,9				
	7	1185,9	177,2	1366,6	1131,8	198,4	1334,3	1072,5	221,9	1298,9	1008,6	247,4	1261,0				
	8	1223,6	177,9	1405,1	1166,2	199,3	1369,5	1109,4	223,0	1336,9	1029,2	248,1	1282,2				
	9	1261,3	178,7	1443,6	1200,5	200,1	1404,7	1146,3	224,0	1374,9	1049,7	248,7	1303,4				
	10	1299,0	179,5	1482,0	1234,9	201,0	1439,9	1183,3	225,1	1412,9	1070,3	249,4	1324,7				
	11	1336,6	180,2	1520,5	1269,2	201,8	1475,1	1220,2	226,2	1450,9	1090,8	250,1	1345,9				
	12	1386,4	181,1	1571,0	1317,1	202,9	1524,0	1260,4	227,2	1492,2	1142,5	251,7	1399,2				
	13	1436,1	181,9	1621,6	1364,9	203,9	1572,9	1300,6	228,3	1533,5	1194,1	253,4	1452,6				
	14	1485,8	182,7	1672,2	1412,7	205,0	1621,8	1340,8	229,4	1574,8	1245,8	255,0	1505,9				
	15	1535,5	183,6	1722,8	1460,5	206,0	1670,6	1381,1	230,4	1616,1	1297,5	256,7	1559,3				
	1220	5	1201,6	187,1	1394,3	1143,8	209,4	1359,5	1081,5	234,1	1322,6	1015,1	261,0	1283,9	944,9	289,9	1243,4
		6	1242,5	188,0	1436,1	1184,0	210,4	1400,7	1120,7	235,2	1362,9	1052,9	262,2	1323,0			
		7	1283,5	188,8	1478,0	1224,3	211,4	1442,0	1159,8	236,3	1403,3	1090,7	263,4	1362,0			
		8	1311,6	189,6	1517,3	1264,8	212,4	1483,5	1200,6	237,5	1445,2	1130,7	264,7	1403,3			
9		1339,7	190,4	1556,7	1305,3	213,3	1525,1	1241,4	238,6	1487,1	1170,6	266,0	1444,5				
10		1367,8	191,1	1596,1	1345,9	214,3	1566,6	1282,1	239,7	1529,1	1210,6	267,2	1485,8				
11		1395,9	191,9	1635,4	1386,4	215,3	1608,1	1322,9	240,9	1571,0	1250,5	268,5	1527,1				
12		1447,8	192,8	1689,8	1421,3	216,3	1655,5	1353,0	241,9	1613,1	1289,7	269,7	1567,5				
13		1499,7	193,7	1744,2	1456,1	217,2	1702,8	1383,2	243,0	1655,1	1328,9	270,9	1607,9				
14		1551,6	194,5	1798,5	1491,0	218,2	1750,1	1413,3	244,1	1697,2	1368,1	272,1	1648,4				
15		1603,5	195,4	1852,9	1525,9	219,2	1797,4	1443,4	245,1	1739,2	1407,3	273,3	1688,8				
1280		5	1269,3	198,3	1473,6	1209,8	222,0	1438,4	1145,1	248,1	1400,6	1075,7	276,6	1360,6	1002,0	307,3	1318,5
		6	1310,8	199,2	1516,0	1251,3	223,0	1481,0	1185,9	249,3	1442,6	1115,3	277,9	1401,5			
		7	1352,3	200,1	1558,4	1292,9	224,1	1523,7	1226,7	250,4	1484,7	1155,0	279,1	1442,5			
		8	1385,0	201,0	1603,2	1322,0	225,0	1564,3	1267,7	251,6	1526,8	1179,2	279,9	1467,5			
	9	1417,7	201,9	1647,9	1351,2	226,0	1605,0	1308,6	252,7	1568,9	1203,5	280,7	1492,6				
	10	1450,4	202,7	1692,6	1380,3	226,9	1645,7	1349,6	253,9	1611,1	1227,7	281,5	1517,6				
	11	1483,1	203,6	1737,3	1409,5	227,8	1686,4	1390,6	255,0	1653,2	1252,0	282,2	1542,7				
	12	1538,2	204,5	1795,0	1462,5	229,0	1742,2	1426,6	256,2	1702,0	1299,7	284,0	1603,1				
	13	1593,3	205,4	1852,7	1515,6	230,1	1798,1	1462,6	257,4	1750,8	1347,4	285,8	1663,4				
	14	1648,4	206,4	1910,4	1568,6	231,3	1853,9	1498,6	258,7	1799,6	1395,1	287,6	1723,8				
	15	1703,5	207,3	1968,1	1621,7	232,4	1909,7	1534,6	259,9	1848,3	1442,8	289,4	1784,2				
	1400	5	1394,7	221,2	1620,4	1322,3	247,2	1574,5	1245,7	275,8	1527,0	1165,2	306,5	1477,8	1081,0	339,2	1427,0
		6	1443,0	222,1	1669,5	1368,9	248,3	1622,2	1290,5	277,0	1573,1	1208,0	307,9	1522,1			
		7	1491,2	223,0	1718,6	1415,6	249,4	1670,0	1335,4	278,3	1619,3	1250,9	309,4	1566,5			
		8	1541,5	223,7	1769,7	1464,6	250,4	1720,0	1382,8	279,5	1667,9	1296,5	310,7	1613,5			
9		1591,8	224,4	1820,8	1513,6	251,4	1770,0	1430,3	280,7	1716,6	1342,1	312,1	1660,4				
10		1642,2	225,2	1871,9	1562,7	252,3	1820,1	1477,7	281,9	1765,2	1387,7	313,5	1707,4				
11		1692,5	225,9	1922,9	1611,7	253,3	1870,1	1525,2	283,1	1813,9	1433,3	314,9	1754,4				
12		1743,5	226,4	1974,4	1662,7	254,1	1921,8	1575,3	284,1	1865,1	1482,0	316,1	1804,5				
13		1794,5	226,9	2025,9	1713,7	254,8	1973,6	1625,4	285,1	1916,2	1530,8	317,4	1854,5				
14		1845,4	227,4	2077,3	1764,6	255,6	2025,3	1675,6	286,1	1967,4	1579,5	318,6	1904,6				
15		1896,4	227,8	2128,8	1815,6	256,3	2077,1	1725,7	287,1	2018,6	1628,3	319,9	1954,6				
1550		5	1522,2	245,8	1772,9	1445,1	274,6	1725,1	1362,7	306,0	1674,9	1275,6	339,9	1622,3	1184,0	375,9	1567,5
		6	1573,2	246,8	1824,9	1494,7	275,8	1776,1	1410,8	307,5	1724,4	1321,7	341,5	1670,1			
		7	1624,2	247,8	1877,0	1544,4	277,1	1827,0	1458,8	308,9	1773,9	1367,8	343,1	1717,8			
		8	1676,3	248,7	1929,9	1595,9	278,2	1879,7	1509,1	310,3	1825,6	1416,5	344,7	1768,1			
	9	1728,3	249,6	1982,9	1647,4	279,3	1932,3	1559,4	311,7	1877,3	1465,2	346,3	1818,4				
	10	1780,4	250,4	2035,8	1698,8	280,5	1984,9	1609,7	313,1	1929,0	1513,8	347,9	1868,7				
	11	1832,5	251,3	2088,8	1750,3	281,6	2037,5	1660,0	314,4	1980,7	1562,5	349,5	1919,0				
	12	1875,8	251,8	2132,6	1800,6	282,5	2088,7	1711,5	315,6	2033,4	1613,6	351,0	1971,6				
	13	1919,0	252,3	2176,4	1850,9	283,3	2139,9	1763,0	316,8	2086,1	1664,7	352,4	2024,2				
	14	1962,3	252,9	2220,2	1901,1	284,2	2191,1	1814,5	318,0	2138,9	1715,8	353,9	2076,8				
	15	2005,6	253,4	2264,0	1951,4	285,1	2242,2	1866,0	319,2	2191,6	1766,9	355,4	2129,4				

Cooling and Heating Capacities - SYSREW WATER EVO HP R134a (STD/S)

Model	LWT °C	Condenser LWT (°C)												
		25			30			35			40			
		P _{COOL}	P _{ABS}	P _{HEAT}	P _{COOL}	P _{ABS}	P _{HEAT}	P _{COOL}	P _{ABS}	P _{HEAT}	P _{COOL}	P _{ABS}	P _{HEAT}	
		kW	kW	kW	kW	kW	kW	kW	kW	kW	kW	kW	kW	
440	5	422,4	68,9	492,6	403,9	73,8	479,2	383,8	80,1	465,5	362,0	87,6	451,4	
	6	437,8	69,5	508,7	419,0	74,4	494,9	398,3	80,7	480,6	376,0	88,2	466,0	
	7	453,3	70,1	524,8	434,0	75,0	510,5	412,8	81,3	495,7	390,0	88,8	480,6	
	8	469,8	70,8	542,1	450,1	75,7	527,2	428,4	81,9	511,9	405,0	89,4	496,3	
	9	486,4	71,5	559,3	466,2	76,3	544,0	444,0	82,5	528,2	420,1	90,0	511,9	
	10	503,0	72,1	576,6	482,3	77,0	560,8	459,6	83,1	544,4	435,1	90,7	527,6	
	11	519,6	72,8	593,9	498,4	77,6	577,5	475,2	83,8	560,6	450,1	91,3	543,2	
	12	537,7	73,5	612,7	516,0	78,3	595,9	492,3	84,4	578,4	466,6	91,9	560,3	
	13	555,9	74,2	631,6	533,7	79,0	614,2	509,3	85,1	596,1	483,1	92,5	577,5	
	14	574,0	75,0	650,5	551,3	79,7	632,5	526,4	85,7	613,9	499,6	93,2	594,6	
	15	592,2	75,7	669,4	568,9	80,4	650,9	543,5	86,4	631,6	516,1	93,8	611,7	
	490	5	478,0	75,7	555,3	460,9	83,6	546,1	440,5	91,5	533,8	417,4	99,9	519,3
		6	495,9	76,4	573,8	478,3	84,3	564,3	457,4	92,2	551,5	433,7	100,6	536,3
		7	513,7	77,1	592,4	495,7	85,0	582,4	474,3	93,0	569,1	450,0	101,4	553,4
		8	533,0	77,9	612,4	514,5	85,8	602,0	492,5	93,8	588,2	467,5	102,2	571,8
9		552,2	78,6	632,5	533,3	86,6	621,6	510,8	94,6	607,3	485,1	103,1	590,3	
10		571,5	79,4	652,5	552,1	87,4	641,2	529,0	95,4	626,3	502,7	103,9	608,7	
11		590,8	80,2	672,6	570,9	88,2	660,8	547,2	96,3	645,4	520,3	104,8	627,1	
12		612,0	81,1	694,7	591,5	89,1	682,4	567,2	97,2	666,4	539,6	105,7	647,5	
13		633,1	82,0	716,8	612,2	90,0	704,0	587,3	98,2	687,4	559,0	106,7	667,8	
14		654,3	82,9	738,9	632,8	91,0	725,6	607,3	99,1	708,4	578,3	107,7	688,1	
15		675,5	83,8	761,0	653,5	91,9	747,2	627,4	100,1	729,4	597,6	108,7	708,5	
570		5	551,0	88,1	640,9	527,3	96,0	625,2	502,3	105,2	609,6	475,9	115,7	593,9
		6	570,8	88,8	661,4	546,5	96,8	645,2	520,8	106,0	628,9	493,8	116,5	612,6
		7	590,6	89,6	682,0	565,7	97,5	665,2	539,4	106,8	648,3	511,7	117,3	631,4
		8	611,8	90,3	704,0	586,3	98,3	686,6	559,3	107,6	669,1	530,9	118,2	651,5
	9	633,1	91,1	726,0	606,9	99,1	707,9	579,2	108,4	689,8	550,2	119,0	671,6	
	10	654,3	91,8	748,0	627,5	99,9	729,3	599,2	109,2	710,6	569,4	119,9	691,7	
	11	675,5	92,6	770,0	648,1	100,6	750,7	619,1	110,0	731,3	588,7	120,7	711,8	
	12	698,7	93,4	794,0	670,6	101,4	774,1	640,9	110,9	754,0	609,8	121,6	733,8	
	13	721,9	94,2	818,0	693,1	102,3	797,4	662,7	111,7	776,7	630,8	122,5	755,8	
	14	745,1	95,0	841,9	715,6	103,1	820,7	684,6	112,5	799,4	651,9	123,3	777,8	
	15	768,3	95,8	865,9	738,1	103,9	844,1	706,4	113,4	822,0	673,0	124,2	799,7	
	630	5	617,7	100,1	719,8	591,2	109,1	702,5	563,2	119,6	685,2	533,7	131,5	667,8
		6	639,7	100,9	742,6	612,5	110,0	724,7	583,8	120,5	706,7	553,5	132,5	688,7
		7	661,6	101,7	765,4	633,8	110,9	746,8	604,3	121,4	728,2	573,4	133,5	709,5
		8	685,1	102,6	789,7	656,5	111,8	770,5	626,4	122,4	751,2	594,7	134,4	731,8
9		708,5	103,5	814,1	679,3	112,7	794,2	648,4	123,3	774,2	616,0	135,4	754,1	
10		732,0	104,4	838,5	702,1	113,6	817,9	670,5	124,3	797,3	637,3	136,4	776,5	
11		755,5	105,3	862,8	724,9	114,5	841,6	692,6	125,2	820,3	658,6	137,4	798,8	
12		781,0	106,2	889,3	749,7	115,4	867,4	716,6	126,2	845,3	681,9	138,5	823,1	
13		806,5	107,1	915,8	774,5	116,4	893,2	740,7	127,2	870,4	705,1	139,5	847,4	
14		832,1	108,0	942,3	799,3	117,3	919,0	764,7	128,2	895,5	728,4	140,5	871,7	
15		857,6	108,9	968,7	824,1	118,3	944,8	788,8	129,2	920,5	751,7	141,5	896,1	
700		5	676,9	112,0	791,1	647,6	123,8	773,8	616,4	135,9	755,0	583,5	148,7	735,2
		6	701,7	112,7	816,6	671,6	124,7	798,7	639,6	136,9	779,3	605,9	149,7	758,7
		7	726,4	113,5	842,1	695,6	125,5	823,6	662,9	137,9	803,5	628,4	150,8	782,2
		8	753,0	114,3	869,5	721,4	126,4	850,3	687,9	138,9	829,5	652,5	151,9	807,5
	9	779,6	115,0	896,9	747,2	127,3	877,1	712,9	139,9	855,6	676,7	153,1	832,8	
	10	806,2	115,8	924,3	773,0	128,3	903,8	737,9	140,9	881,6	700,9	154,2	858,1	
	11	832,8	116,6	951,7	798,8	129,2	930,6	762,9	142,0	907,7	725,0	155,3	883,5	
	12	861,9	117,5	981,7	827,1	130,1	959,9	790,3	143,1	936,3	751,6	156,6	911,3	
	13	891,0	118,3	1011,7	855,4	131,1	989,1	817,8	144,2	964,8	778,1	157,8	939,1	
	14	920,1	119,2	1041,6	883,7	132,1	1018,4	845,2	145,3	993,4	804,7	159,0	966,9	
	15	949,2	120,0	1071,6	911,9	133,1	1047,7	872,6	146,4	1022,0	831,3	160,3	994,7	

Cooling and Heating Capacities - SYSCREW WATER EVO HP R134a (STD/S) (continue)

Model	LWT °C	Condenser LWT (°C)												
		45			50			55			60			
		P _{COOL}	P _{ABS}	P _{HEAT}	P _{COOL}	P _{ABS}	P _{HEAT}	P _{COOL}	P _{ABS}	P _{HEAT}	P _{COOL}	P _{ABS}	P _{HEAT}	
		kW	kW	kW	kW	kW	kW	kW	kW	kW	kW	kW	kW	
440	5	338,9	96,5	437,3	314,5	106,6	423,3	289,0	118,0	409,4	262,6	130,6	395,9	
	6	352,3	97,1	451,3	327,3	107,2	436,6	301,1	118,6	422,1				
	7	365,7	97,7	465,3	340,0	107,8	450,0	313,2	119,2	434,8				
	8	380,1	98,3	480,4	353,8	108,4	464,4	326,3	119,8	448,5				
	9	394,5	98,9	495,4	367,6	109,0	478,8	339,3	120,4	462,1				
	10	409,0	99,5	510,4	381,3	109,6	493,1	352,4	121,0	475,8				
	11	423,4	100,1	525,5	395,1	110,2	507,5	365,5	121,6	489,5				
	12	439,2	100,7	541,9	410,3	110,8	523,3	379,9	122,2	504,5				
	13	455,1	101,3	558,4	425,4	111,4	539,1	394,3	122,7	519,5				
	14	470,9	101,9	574,9	440,6	112,0	554,8	408,8	123,3	534,5				
	15	486,8	102,5	591,3	455,8	112,6	570,6	423,2	123,9	549,6				
	490	5	392,0	109,0	503,2	364,8	119,3	486,6	336,4	131,1	470,1	307,1	144,7	454,6
		6	407,6	109,8	519,6	379,6	120,1	502,2	350,2	131,9	484,8			
		7	423,2	110,6	536,0	394,4	120,9	517,8	364,1	132,7	499,5			
		8	440,0	111,5	553,7	410,4	121,8	534,7	379,2	133,6	515,5			
9		456,9	112,3	571,4	426,4	122,7	551,6	394,3	134,5	531,5				
10		473,7	113,2	589,2	442,4	123,6	568,5	409,3	135,4	547,4				
11		490,5	114,1	606,9	458,4	124,5	585,4	424,4	136,3	563,4				
12		509,1	115,1	626,4	476,1	125,5	604,1	441,1	137,3	581,2				
13		527,7	116,0	646,0	493,8	126,5	622,8	457,9	138,3	599,0				
14		546,2	117,0	665,6	511,5	127,5	641,5	474,6	139,3	616,7				
15		564,8	118,0	685,2	529,2	128,5	660,3	491,3	140,4	634,5				
570		5	448,3	127,4	578,2	419,4	140,4	562,6	389,3	154,6	547,1	358,1	170,1	531,6
		6	465,5	128,3	596,3	435,9	141,3	580,0	405,1	155,6	563,8			
		7	482,7	129,2	614,4	452,3	142,3	597,5	420,8	156,6	580,5			
		8	501,2	130,1	633,9	470,1	143,2	616,2	437,8	157,6	598,6			
	9	519,7	131,0	653,3	487,9	144,2	635,0	454,8	158,7	616,6				
	10	538,2	131,9	672,7	505,7	145,1	653,7	471,7	159,7	634,6				
	11	556,8	132,7	692,2	523,4	146,1	672,4	488,7	160,7	652,6				
	12	577,1	133,7	713,4	543,0	147,0	693,0	507,5	161,7	672,4				
	13	597,4	134,6	734,7	562,6	148,0	713,5	526,2	162,7	692,2				
	14	617,8	135,5	756,0	582,1	149,0	734,1	545,0	163,8	712,0				
	15	638,1	136,4	777,3	601,7	149,9	754,6	563,7	164,8	731,8				
	630	5	502,8	144,9	650,5	470,4	159,6	633,2	436,7	175,8	616,0	401,8	193,3	598,9
		6	521,8	145,9	670,6	488,7	160,7	652,6	454,2	176,9	634,7			
		7	540,9	146,9	690,8	507,0	161,8	672,0	471,7	178,1	653,3			
		8	561,4	148,0	712,4	526,7	162,9	692,9	490,5	179,3	673,4			
9		582,0	149,0	733,9	546,4	164,0	713,7	509,3	180,5	693,4				
10		602,5	150,1	755,5	566,1	165,1	734,5	528,2	181,7	713,5				
11		623,0	151,1	777,1	585,8	166,3	755,4	547,0	182,9	733,5				
12		645,4	152,2	800,7	607,4	167,4	778,1	567,7	184,1	755,5				
13		667,9	153,3	824,2	629,0	168,5	800,9	588,4	185,3	777,4				
14		690,4	154,4	847,8	650,6	169,7	823,7	609,2	186,5	799,4				
15		712,8	155,4	871,4	672,2	170,8	846,4	629,9	187,7	821,3				
700		5	548,9	162,4	714,5	512,5	177,5	693,5	474,5	194,3	672,6	434,7	213,1	652,1
		6	570,5	163,6	737,3	533,2	178,7	715,5	494,3	195,6	693,7			
		7	592,0	164,7	760,1	553,9	180,0	737,5	514,1	196,9	714,9			
		8	615,3	166,0	784,6	576,3	181,3	761,2	535,5	198,3	737,8			
	9	638,6	167,2	809,2	598,7	182,6	785,0	557,0	199,7	760,7				
	10	661,9	168,4	833,7	621,1	184,0	808,7	578,4	201,1	783,5				
	11	685,2	169,7	858,3	643,5	185,3	832,5	599,9	202,5	806,4				
	12	710,9	171,0	885,3	668,2	186,7	858,7	623,6	204,1	831,7				
	13	736,5	172,3	912,3	692,9	188,2	884,8	647,3	205,6	857,1				
	14	762,2	173,7	939,3	717,6	189,6	911,0	671,1	207,2	882,4				
	15	787,8	175,0	966,4	742,3	191,1	937,2	694,8	208,7	907,7				

Cooling and Heating Capacities - SYSREW WATER EVO HP R134a (STD/S) (continue)

Model	LWT °C	Condenser LWT (°C)												
		25			30			35			40			
		P _{COOL}	P _{ABS}	P _{HEAT}	P _{COOL}	P _{ABS}	P _{HEAT}	P _{COOL}	P _{ABS}	P _{HEAT}	P _{COOL}	P _{ABS}	P _{HEAT}	
		kW	kW	kW	kW	kW	kW	kW	kW	kW	kW	kW	kW	
770	5	737,1	121,1	861,8	705,0	133,6	842,6	671,1	146,8	822,3	635,6	160,9	801,3	
	6	763,7	121,8	889,2	730,9	134,6	869,5	696,2	147,9	848,5	659,8	162,1	826,8	
	7	790,4	122,5	916,6	756,8	135,5	896,3	721,3	149,0	874,8	684,0	163,4	852,3	
	8	819,1	123,1	945,9	784,6	136,4	925,0	748,2	150,2	902,8	709,9	164,7	879,6	
	9	847,7	123,7	975,1	812,3	137,3	953,8	775,1	151,3	930,9	735,9	166,1	906,9	
	10	876,3	124,4	1004,4	840,1	138,2	982,5	802,0	152,4	959,0	761,9	167,4	934,3	
	11	904,9	125,0	1033,6	867,9	139,1	1011,2	828,9	153,6	987,1	787,8	168,7	961,6	
	12	936,1	125,6	1065,4	898,2	140,0	1042,4	858,3	154,7	1017,6	816,2	170,1	991,5	
	13	967,3	126,1	1097,2	928,5	140,9	1073,6	887,7	155,9	1048,2	844,7	171,5	1021,3	
	14	998,4	126,7	1128,9	958,9	141,7	1104,9	917,1	157,0	1078,8	873,1	172,9	1051,2	
	15	1029,6	127,3	1160,7	989,2	142,6	1136,1	946,4	158,2	1109,4	901,5	174,3	1081,0	
	860	5	822,4	136,9	962,1	786,8	146,8	936,5	747,7	159,3	910,2	705,6	174,5	883,5
		6	852,3	138,1	993,1	815,8	147,9	966,7	775,8	160,5	939,5	732,7	175,6	911,8
		7	882,1	139,3	1024,2	844,8	149,1	996,9	803,9	161,6	968,8	759,8	176,8	940,1
		8	914,1	140,6	1057,5	875,9	150,4	1029,3	834,1	162,8	1000,2	788,8	178,0	970,4
9		946,0	141,9	1090,7	907,0	151,6	1061,6	864,2	164,1	1031,5	817,9	179,2	1000,7	
10		978,0	143,1	1124,0	938,1	152,8	1094,0	894,3	165,3	1062,9	847,0	180,4	1031,0	
11		1009,9	144,4	1157,2	969,1	154,1	1126,3	924,4	166,5	1094,2	876,1	181,6	1061,3	
12		1044,7	145,8	1193,4	1003,0	155,4	1161,5	957,3	167,8	1128,4	907,8	182,8	1094,3	
13		1079,5	147,2	1229,6	1036,9	156,8	1196,8	990,2	169,0	1162,6	939,6	184,0	1127,3	
14		1114,3	148,6	1265,9	1070,7	158,1	1232,0	1023,0	170,3	1196,8	971,4	185,3	1160,4	
15		1149,1	150,0	1302,1	1104,6	159,4	1267,2	1055,9	171,6	1230,9	1003,2	186,5	1193,4	
920		5	881,9	143,8	1028,5	847,2	156,6	1006,9	807,5	170,8	981,8	763,6	186,8	954,2
		6	914,4	145,1	1062,3	878,8	157,9	1039,9	838,3	172,1	1013,8	793,3	188,1	985,1
		7	946,9	146,3	1096,1	910,5	159,1	1072,8	869,0	173,4	1045,9	822,9	189,4	1016,1
		8	981,8	147,7	1132,5	944,6	160,5	1108,3	902,0	174,8	1080,3	854,8	190,9	1049,5
	9	1016,7	149,1	1168,8	978,6	161,9	1143,8	935,0	176,2	1114,8	886,7	192,3	1082,8	
	10	1051,7	150,5	1205,2	1012,7	163,3	1179,3	968,1	177,6	1149,3	918,6	193,7	1116,1	
	11	1086,6	151,9	1241,5	1046,7	164,7	1214,7	1001,1	179,0	1183,7	950,4	195,1	1149,5	
	12	1124,8	153,4	1281,4	1084,0	166,3	1253,6	1037,3	180,6	1221,5	985,4	196,7	1186,0	
	13	1163,1	155,0	1321,2	1121,2	167,9	1292,4	1073,4	182,2	1259,3	1020,4	198,3	1222,6	
	14	1201,3	156,6	1361,0	1158,5	169,4	1331,3	1109,6	183,7	1297,0	1055,3	199,8	1259,1	
	15	1239,5	158,1	1400,8	1195,7	171,0	1370,1	1145,8	185,3	1334,8	1090,3	201,4	1295,7	
	990	5	942,9	150,8	1097,5	909,2	166,4	1079,7	868,9	182,3	1055,8	823,3	199,0	1027,3
		6	978,1	152,1	1134,0	943,5	167,8	1115,5	902,3	183,7	1090,6	855,4	200,5	1061,0
		7	1013,2	153,4	1170,5	977,8	169,2	1151,2	935,6	185,2	1125,4	887,6	202,0	1094,6
		8	1051,1	155,0	1209,9	1014,8	170,8	1189,8	971,5	186,8	1162,9	922,2	203,7	1131,0
9		1089,0	156,5	1249,4	1051,7	172,3	1228,4	1007,4	188,4	1200,4	956,9	205,3	1167,3	
10		1126,9	158,0	1288,8	1088,7	173,9	1266,9	1043,3	190,0	1238,0	991,5	207,0	1203,6	
11		1164,8	159,5	1328,2	1125,7	175,4	1305,5	1079,2	191,6	1275,5	1026,1	208,6	1240,0	
12		1206,4	161,2	1371,7	1166,3	177,2	1347,9	1118,6	193,4	1316,8	1064,2	210,5	1280,0	
13		1248,0	163,0	1415,1	1206,9	179,0	1390,4	1158,0	195,3	1358,1	1102,3	212,4	1320,0	
14		1289,7	164,7	1458,5	1247,5	180,8	1432,8	1197,4	197,1	1399,5	1140,4	214,3	1360,0	
15		1331,3	166,5	1501,9	1288,1	182,6	1475,3	1236,8	199,0	1440,8	1178,5	216,2	1400,0	
1070		5	1018,2	162,4	1185,4	978,0	178,0	1161,4	933,3	195,1	1134,2	884,5	213,9	1104,8
		6	1055,3	163,7	1223,9	1014,1	179,4	1199,0	968,3	196,5	1170,8	918,3	215,4	1140,2
		7	1092,4	165,1	1262,5	1050,3	180,9	1236,5	1003,3	198,0	1207,3	952,1	216,9	1175,5
		8	1132,3	166,6	1303,9	1089,1	182,4	1276,9	1041,0	199,6	1246,6	988,5	218,5	1213,6
	9	1172,2	168,0	1345,2	1127,9	183,9	1317,3	1078,7	201,1	1285,8	1024,9	220,1	1251,6	
	10	1212,1	169,5	1386,6	1166,8	185,4	1357,7	1116,3	202,7	1325,1	1061,3	221,7	1289,7	
	11	1252,0	170,9	1428,0	1205,6	186,9	1398,1	1154,0	204,2	1364,4	1097,7	223,4	1327,7	
	12	1295,6	172,6	1473,3	1248,1	188,5	1442,2	1195,2	205,9	1407,4	1137,6	225,1	1369,4	
	13	1339,2	174,2	1518,6	1290,6	190,2	1486,4	1236,5	207,6	1450,3	1177,5	226,9	1411,1	
	14	1382,8	175,8	1563,8	1333,0	191,8	1530,6	1277,7	209,3	1493,3	1217,4	228,6	1452,8	
	15	1426,4	177,4	1609,1	1375,5	193,5	1574,8	1319,0	211,0	1536,3	1257,3	230,4	1494,5	

Cooling and Heating Capacities - SYSCREW WATER EVO HP R134a (STD/S) (continue)

Model	LWT °C	Condenser LWT (°C)												
		45			50			55			60			
		P _{COOL}	P _{ABS}	P _{HEAT}	P _{COOL}	P _{ABS}	P _{HEAT}	P _{COOL}	P _{ABS}	P _{HEAT}	P _{COOL}	P _{ABS}	P _{HEAT}	
		kW	kW	kW	kW	kW	kW	kW	kW	kW	kW	kW	kW	
770	5	598,6	176,1	780,0	560,0	192,9	758,7	520,1	211,4	737,8	478,8	232,0	717,8	
	6	621,8	177,5	804,6	582,2	194,3	782,4	541,2	212,9	760,4				
	7	645,0	178,9	829,2	604,4	195,8	806,0	562,3	214,4	783,1				
	8	669,9	180,4	855,7	628,3	197,4	831,6	585,1	216,1	807,6				
	9	694,9	181,9	882,2	652,2	199,0	857,2	607,9	217,7	832,1				
	10	719,9	183,3	908,7	676,1	200,6	882,7	630,7	219,4	856,6				
	11	744,9	184,8	935,2	700,1	202,2	908,3	653,5	221,0	881,1				
	12	772,3	186,4	964,3	726,3	203,9	936,4	678,6	222,9	908,2				
	13	799,6	188,0	993,3	752,6	205,7	964,5	703,8	224,8	935,3				
	14	827,0	189,6	1022,3	778,9	207,4	992,6	728,9	226,6	962,3				
	15	854,4	191,2	1051,3	805,2	209,2	1020,7	754,0	228,5	989,4				
	860	5	660,6	192,2	856,7	613,2	212,5	829,9	563,6	235,3	803,6	512,2	260,5	778,0
		6	686,6	193,4	883,9	638,0	213,7	856,0	587,1	236,5	828,4			
		7	712,6	194,6	911,1	662,8	214,9	882,0	610,7	237,7	853,1			
		8	740,6	195,7	940,2	689,5	216,0	909,9	636,1	238,9	879,7			
9		768,5	196,9	969,4	716,2	217,2	937,8	661,4	240,0	906,3				
10		796,4	198,1	998,5	742,9	218,4	965,7	686,8	241,2	932,8				
11		824,4	199,3	1027,6	769,7	219,6	993,6	712,2	242,4	959,4				
12		855,0	200,5	1059,5	799,0	220,7	1024,1	740,1	243,5	988,5				
13		885,6	201,7	1091,3	828,3	221,9	1054,6	768,1	244,6	1017,6				
14		916,2	202,9	1123,1	857,6	223,1	1085,1	796,0	245,8	1046,7				
15		946,8	204,1	1154,9	886,9	224,2	1115,6	824,0	246,9	1075,9				
920		5	716,1	204,8	925,0	665,6	225,3	895,4	612,8	248,4	866,1	558,2	274,6	838,3
		6	744,5	206,2	954,8	692,6	226,6	923,8	638,2	249,8	893,0			
		7	772,9	207,5	984,6	719,6	228,0	952,2	663,7	251,2	919,9			
		8	803,5	209,0	1016,7	748,8	229,5	982,9	691,3	252,6	949,0			
	9	834,1	210,4	1048,7	778,0	230,9	1013,5	718,9	254,1	978,1				
	10	864,7	211,8	1080,8	807,2	232,4	1044,2	746,5	255,6	1007,1				
	11	895,3	213,3	1112,9	836,3	233,8	1074,8	774,1	257,0	1036,2				
	12	928,9	214,8	1148,1	868,5	235,4	1108,5	804,6	258,6	1068,3				
	13	962,5	216,4	1183,3	900,6	236,9	1142,3	835,1	260,2	1100,4				
	14	996,2	218,0	1218,5	932,7	238,5	1176,0	865,6	261,7	1132,5				
	15	1029,8	219,5	1253,7	964,8	240,1	1209,7	896,1	263,3	1164,6				
	990	5	773,2	217,3	996,0	719,6	237,9	963,5	663,5	261,5	931,5	605,8	288,6	901,6
		6	804,0	218,9	1028,3	748,8	239,5	994,3	690,9	263,0	960,5			
		7	834,7	220,4	1060,7	778,0	241,1	1025,1	718,3	264,6	989,6			
		8	867,9	222,1	1095,6	809,6	242,8	1058,4	748,1	266,4	1021,1			
9		901,1	223,8	1130,5	841,2	244,5	1091,8	777,8	268,1	1052,6				
10		934,4	225,5	1165,5	872,7	246,2	1125,1	807,6	269,9	1084,2				
11		967,6	227,2	1200,4	904,3	248,0	1158,5	837,3	271,6	1115,7				
12		1004,1	229,1	1239,0	939,2	249,9	1195,4	870,3	273,6	1150,8				
13		1040,7	231,0	1277,5	974,1	251,9	1232,3	903,3	275,6	1185,8				
14		1077,3	233,0	1316,1	1009,0	253,9	1269,2	936,3	277,6	1220,8				
15		1113,8	234,9	1354,6	1043,8	255,8	1306,1	969,3	279,6	1255,9				
1070		5	832,3	234,7	1074,0	777,0	257,9	1042,6	719,3	283,8	1011,6	659,6	312,8	981,7
		6	864,7	236,3	1108,1	808,0	259,5	1075,3	748,6	285,5	1042,7			
		7	897,2	237,9	1142,2	839,0	261,2	1108,0	778,0	287,3	1073,9			
		8	932,2	239,5	1178,9	872,4	263,0	1143,3	809,7	289,1	1107,5			
	9	967,1	241,2	1215,6	905,8	264,7	1178,5	841,5	290,9	1141,2				
	10	1002,1	242,9	1252,3	939,3	266,5	1213,7	873,3	292,8	1174,8				
	11	1037,1	244,6	1289,0	972,7	268,2	1249,0	905,1	294,6	1208,5				
	12	1075,5	246,4	1329,3	1009,6	270,1	1287,8	940,2	296,5	1245,6				
	13	1114,0	248,2	1369,6	1046,4	272,0	1326,6	975,3	298,5	1282,8				
	14	1152,4	250,0	1409,9	1083,3	273,8	1365,3	1010,4	300,4	1319,9				
	15	1190,8	251,8	1450,2	1120,1	275,7	1404,1	1045,6	302,4	1357,0				

Cooling and Heating Capacities - SYSREW WATER EVO HP R134a (STD/S) (continue)

Model	LWT °C	Condenser LWT (°C)												
		25			30			35			40			
		P _{COOL}	P _{ABS}	P _{HEAT}	P _{COOL}	P _{ABS}	P _{HEAT}	P _{COOL}	P _{ABS}	P _{HEAT}	P _{COOL}	P _{ABS}	P _{HEAT}	
		kW	kW	kW	kW	kW	kW	kW	kW	kW	kW	kW	kW	
1130	5	1087,2	174,3	1265,0	1040,7	190,0	1234,5	991,5	208,2	1203,9	939,7	229,0	1173,3	
	6	1126,3	175,7	1305,6	1078,6	191,4	1273,9	1028,2	209,7	1242,2	975,1	230,6	1210,3	
	7	1165,5	177,1	1346,1	1116,6	192,9	1313,3	1065,0	211,2	1280,4	1010,6	232,2	1247,4	
	8	1207,4	178,6	1389,6	1157,4	194,4	1355,6	1104,4	212,8	1321,5	1048,7	233,8	1287,2	
	9	1249,4	180,0	1433,1	1198,1	195,8	1397,9	1143,9	214,3	1362,5	1086,9	235,4	1326,9	
	10	1291,4	181,5	1476,5	1238,9	197,3	1440,2	1183,4	215,8	1403,5	1125,0	237,0	1366,7	
	11	1333,4	182,9	1520,0	1279,7	198,8	1482,4	1222,9	217,4	1444,6	1163,1	238,6	1406,5	
	12	1379,2	184,4	1567,3	1324,2	200,3	1528,5	1266,1	218,9	1489,4	1205,0	240,2	1450,0	
	13	1425,0	185,9	1614,7	1368,7	201,9	1574,6	1309,3	220,5	1534,2	1246,8	241,8	1493,5	
	14	1470,9	187,4	1662,0	1413,3	203,4	1620,7	1352,5	222,1	1579,0	1288,6	243,5	1536,9	
	15	1516,7	188,9	1709,4	1457,8	204,9	1666,8	1395,7	223,7	1623,8	1330,4	245,1	1580,4	
	1220	5	1160,7	185,5	1350,8	1111,2	202,2	1318,5	1058,9	221,6	1286,1	1003,8	243,8	1253,7
		6	1202,2	187,0	1393,9	1151,6	203,7	1360,4	1098,0	223,2	1326,8	1041,5	245,5	1293,1
		7	1243,8	188,5	1437,0	1192,0	205,3	1402,3	1137,1	224,8	1367,5	1079,2	247,1	1332,5
		8	1288,4	190,0	1483,2	1235,2	206,8	1447,2	1179,0	226,4	1411,1	1119,8	248,8	1374,8
9		1333,0	191,5	1529,3	1278,5	208,4	1492,1	1221,0	228,0	1454,7	1160,3	250,5	1417,1	
10		1377,5	193,1	1575,4	1321,8	209,9	1537,0	1262,9	229,7	1498,3	1200,9	252,2	1459,4	
11		1422,1	194,6	1621,6	1365,1	211,5	1581,9	1304,8	231,3	1541,9	1241,4	253,9	1501,7	
12		1470,7	196,2	1671,7	1412,3	213,1	1630,8	1350,7	233,0	1589,5	1285,8	255,6	1547,8	
13		1519,2	197,7	1721,9	1459,6	214,7	1679,7	1396,5	234,6	1637,0	1330,2	257,4	1594,0	
14		1567,8	199,3	1772,1	1506,8	216,4	1728,6	1442,4	236,3	1684,6	1374,6	259,1	1640,1	
15		1616,4	200,9	1822,3	1554,0	218,0	1777,5	1488,2	238,0	1732,1	1418,9	260,8	1686,3	
1280		5	1222,1	196,7	1422,7	1170,3	214,4	1389,0	1115,4	235,0	1355,1	1057,6	258,5	1321,3
		6	1265,7	198,2	1467,9	1212,6	216,0	1432,9	1156,4	236,7	1397,8	1097,2	260,3	1362,7
		7	1309,3	199,8	1513,0	1254,9	217,6	1476,9	1197,4	238,4	1440,5	1136,7	262,0	1404,0
		8	1355,9	201,4	1561,3	1300,2	219,3	1523,9	1241,3	240,1	1486,2	1179,2	263,8	1448,3
	9	1402,6	203,0	1609,6	1345,6	220,9	1570,9	1285,3	241,8	1531,9	1221,7	265,6	1492,7	
	10	1449,2	204,6	1657,9	1390,9	222,5	1617,9	1329,2	243,5	1577,6	1264,2	267,4	1537,0	
	11	1495,9	206,2	1706,2	1436,2	224,2	1664,9	1373,2	245,2	1623,3	1306,7	269,2	1581,3	
	12	1546,6	207,9	1758,7	1485,6	225,9	1716,0	1421,1	247,0	1673,0	1353,2	271,0	1629,6	
	13	1597,4	209,5	1811,2	1535,0	227,6	1767,2	1469,1	248,7	1722,8	1399,7	272,9	1678,0	
	14	1648,2	211,2	1863,6	1584,4	229,3	1818,3	1517,1	250,5	1772,5	1446,1	274,7	1726,3	
	15	1699,0	212,9	1916,1	1633,8	231,0	1869,5	1565,0	252,2	1822,3	1492,6	276,5	1774,6	
	1400	5	1349,8	223,8	1578,1	1291,9	247,5	1544,4	1230,5	271,7	1507,7	1165,5	297,2	1468,7
		6	1398,5	225,3	1628,3	1339,2	249,2	1593,4	1276,3	273,6	1555,4	1209,8	299,4	1515,1
		7	1447,2	226,8	1678,5	1386,5	250,9	1642,4	1322,1	275,6	1603,2	1254,1	301,5	1561,6
		8	1499,4	228,3	1732,3	1437,2	252,7	1695,0	1371,3	277,6	1654,4	1301,7	303,7	1611,4
9		1551,6	229,8	1786,0	1488,0	254,5	1747,5	1420,5	279,6	1705,7	1349,3	305,9	1661,3	
10		1603,8	231,4	1839,8	1538,7	256,2	1800,1	1469,7	281,6	1756,9	1396,9	308,2	1711,2	
11		1656,0	232,9	1893,6	1589,4	258,0	1852,6	1518,9	283,6	1808,2	1444,4	310,4	1761,1	
12		1712,9	234,6	1952,1	1644,8	260,0	1909,9	1572,7	285,8	1864,2	1496,6	312,8	1815,7	
13		1769,7	236,3	2010,7	1700,1	261,9	1967,2	1626,4	288,0	1920,2	1548,7	315,2	1870,3	
14		1826,6	237,9	2069,3	1755,5	263,8	2024,6	1680,2	290,2	1976,2	1600,8	317,7	1924,9	
15		1883,5	239,6	2127,9	1810,8	265,7	2081,9	1734,0	292,3	2032,2	1653,0	320,1	1979,4	
1500		5	1460,7	239,3	1704,8	1398,4	264,3	1668,0	1332,6	290,5	1629,0	1263,5	318,6	1588,4
		6	1513,1	240,5	1758,4	1449,3	266,0	1720,6	1382,0	292,6	1680,4	1311,1	320,9	1638,4
		7	1565,4	241,6	1811,9	1500,2	267,6	1773,2	1431,3	294,6	1731,8	1358,7	323,3	1688,5
		8	1621,4	242,7	1869,0	1554,7	269,2	1829,3	1484,1	296,7	1786,8	1409,8	325,7	1742,1
	9	1677,4	243,7	1926,0	1609,2	270,8	1885,4	1537,0	298,8	1841,7	1461,0	328,2	1795,7	
	10	1733,4	244,8	1983,1	1663,7	272,4	1941,5	1589,9	300,8	1896,7	1512,1	330,6	1849,3	
	11	1789,4	245,8	2040,2	1718,2	274,0	1997,6	1642,7	302,9	1951,6	1563,2	333,1	1902,9	
	12	1850,3	246,7	2101,9	1777,5	275,5	2058,4	1700,3	304,9	2011,3	1619,0	335,6	1961,3	
	13	1911,1	247,5	2163,6	1836,7	276,9	2119,2	1757,9	306,9	2071,0	1674,8	338,1	2019,7	
	14	1971,9	248,4	2225,3	1896,0	278,4	2180,0	1815,5	309,0	2130,7	1730,7	340,6	2078,1	
	15	2032,8	249,2	2287,0	1955,3	279,9	2240,8	1873,1	311,0	2190,3	1786,5	343,1	2136,4	

Cooling and Heating Capacities - SYSCREW WATER EVO HP R134a (STD/S) (continue)

Model	LWT °C	Condenser LWT (°C)												
		45			50			55			60			
		P _{COOL}	P _{ABS}	P _{HEAT}	P _{COOL}	P _{ABS}	P _{HEAT}	P _{COOL}	P _{ABS}	P _{HEAT}	P _{COOL}	P _{ABS}	P _{HEAT}	
		kW	kW	kW	kW	kW	kW	kW	kW	kW	kW	kW	kW	
1130	5	885,3	252,3	1142,7	828,5	278,1	1112,2	769,3	306,5	1081,9	707,8	337,2	1051,8	
	6	919,4	254,0	1178,5	861,2	279,9	1146,7	800,5	308,4	1115,0				
	7	953,5	255,7	1214,3	893,9	281,7	1181,2	831,7	310,3	1148,2				
	8	990,3	257,4	1252,8	929,2	283,5	1218,3	865,5	312,2	1183,9				
	9	1027,0	259,0	1291,2	964,4	285,3	1255,4	899,2	314,1	1219,6				
	10	1063,8	260,7	1329,7	999,7	287,1	1292,5	932,9	316,0	1255,3				
	11	1100,5	262,4	1368,2	1035,0	288,9	1329,7	966,7	318,0	1291,0				
	12	1140,8	264,1	1410,3	1073,8	290,7	1370,3	1003,9	319,9	1330,2				
	13	1181,2	265,9	1452,4	1112,6	292,5	1411,0	1041,2	321,8	1369,5				
	14	1221,6	267,6	1494,5	1151,5	294,4	1451,7	1078,4	323,8	1408,7				
	15	1261,9	269,3	1536,6	1190,3	296,2	1492,4	1115,7	325,7	1447,9				
	1220	5	946,0	268,6	1221,3	885,5	296,1	1189,0	822,4	326,3	1156,9	756,9	359,1	1124,9
		6	982,3	270,4	1259,4	920,3	298,0	1225,8	855,7	328,3	1192,2			
		7	1018,6	272,2	1297,5	955,1	299,9	1262,5	888,9	330,3	1227,5			
		8	1057,6	273,9	1338,4	992,6	301,8	1302,0	924,8	332,4	1265,5			
9		1096,7	275,7	1379,3	1030,1	303,7	1341,4	960,7	334,4	1303,5				
10		1135,8	277,5	1420,2	1067,7	305,6	1380,9	996,6	336,5	1341,5				
11		1174,8	279,3	1461,1	1105,2	307,5	1420,4	1032,6	338,5	1379,5				
12		1217,7	281,1	1505,9	1146,5	309,4	1463,6	1072,2	340,5	1421,2				
13		1260,6	283,0	1550,6	1187,7	311,4	1506,9	1111,8	342,6	1462,9				
14		1303,4	284,8	1595,3	1229,0	313,3	1550,1	1151,4	344,6	1504,6				
15		1346,3	286,6	1640,0	1270,3	315,2	1593,4	1191,0	346,7	1546,3				
1280		5	996,9	284,9	1287,5	933,4	314,1	1253,7	867,1	346,1	1220,1	798,2	380,9	1186,7
		6	1035,0	286,8	1327,5	969,9	316,1	1292,3	902,0	348,2	1257,2			
		7	1073,1	288,6	1367,5	1006,5	318,1	1330,9	937,0	350,4	1294,3			
		8	1114,0	290,5	1410,4	1045,8	320,1	1372,3	974,7	352,5	1334,2			
	9	1155,0	292,4	1453,3	1085,2	322,1	1413,7	1012,4	354,7	1374,1				
	10	1196,0	294,3	1496,2	1124,6	324,1	1455,2	1050,1	356,8	1414,0				
	11	1237,0	296,2	1539,1	1164,0	326,1	1496,6	1087,8	359,0	1453,9				
	12	1281,9	298,1	1585,9	1207,2	328,2	1541,9	1129,3	361,2	1497,7				
	13	1326,7	300,0	1632,8	1250,5	330,2	1587,2	1170,8	363,3	1541,4				
	14	1371,6	301,9	1679,6	1293,7	332,2	1632,6	1212,3	365,5	1585,1				
	15	1416,5	303,9	1726,5	1336,9	334,2	1677,9	1253,9	367,6	1628,9				
	1400	5	1097,1	324,8	1428,3	1025,1	355,0	1387,2	949,7	388,6	1346,0	870,9	426,3	1305,7
		6	1139,7	327,1	1473,3	1066,1	357,4	1430,7	988,9	391,2	1387,9			
		7	1182,4	329,4	1518,3	1107,0	359,9	1474,1	1028,1	393,8	1429,8			
		8	1228,3	331,8	1566,7	1151,3	362,5	1521,0	1070,5	396,6	1475,0			
9		1274,2	334,2	1615,1	1195,5	365,1	1567,9	1113,0	399,4	1520,3				
10		1320,2	336,7	1663,6	1239,7	367,8	1614,8	1155,4	402,1	1565,6				
11		1366,1	339,1	1712,0	1283,9	370,4	1661,7	1197,8	404,9	1610,8				
12		1416,5	341,7	1765,1	1332,5	373,2	1713,2	1244,6	408,0	1660,7				
13		1466,9	344,4	1818,2	1381,2	376,1	1764,8	1291,4	411,0	1710,6				
14		1517,4	347,0	1871,3	1429,8	378,9	1816,3	1338,2	414,1	1760,5				
15		1567,8	349,7	1924,4	1478,4	381,8	1867,8	1384,9	417,1	1810,4				
1500		5	1191,1	349,0	1547,0	1115,7	382,3	1505,6	1037,5	419,2	1465,0	956,5	460,2	1425,9
		6	1236,9	351,6	1595,5	1159,6	385,1	1552,3	1079,3	422,0	1509,7			
		7	1282,7	354,2	1644,0	1203,5	387,8	1599,0	1121,1	424,8	1554,4			
		8	1332,0	356,9	1696,0	1250,8	390,8	1649,4	1166,3	427,9	1602,7			
	9	1381,3	359,7	1748,1	1298,0	393,8	1699,7	1211,4	431,0	1651,1				
	10	1430,5	362,4	1800,2	1345,3	396,7	1750,0	1256,6	434,2	1699,4				
	11	1479,8	365,2	1852,2	1392,6	399,7	1800,3	1301,7	437,3	1747,7				
	12	1533,7	368,1	1909,1	1444,5	402,9	1855,4	1351,5	440,7	1801,0				
	13	1587,6	371,0	1966,0	1496,3	406,2	1910,6	1401,2	444,2	1854,3				
	14	1641,5	373,9	2022,9	1548,2	409,4	1965,8	1450,9	447,7	1907,5				
	15	1695,4	376,8	2079,7	1600,1	412,6	2021,0	1500,6	451,2	1960,8				

Cooling and Heating Capacities - SYSREW WATER EVO HP R513A (STD/S)

Model	LWT °C	Condenser LWT (°C)												
		25			30			35			40			
		P _{COOL}	P _{ABS}	P _{HEAT}	P _{COOL}	P _{ABS}	P _{HEAT}	P _{COOL}	P _{ABS}	P _{HEAT}	P _{COOL}	P _{ABS}	P _{HEAT}	
		kW	kW	kW	kW	kW	kW	kW	kW	kW	kW	kW	kW	
440	5	435,1	70,3	506,9	413,6	75,5	490,6	390,6	82,4	474,6	366,2	90,8	458,8	
	6	450,6	70,7	522,8	428,5	75,9	505,9	404,9	82,8	489,4	379,9	91,2	473,0	
	7	466,1	71,1	538,7	443,5	76,3	521,3	419,3	83,2	504,2	393,7	91,6	487,2	
	8	482,7	71,5	555,7	459,5	76,7	537,7	434,7	83,6	520,0	408,4	92,1	502,4	
	9	499,3	71,9	572,7	475,5	77,1	554,1	450,1	84,0	535,9	423,2	92,5	517,6	
	10	515,9	72,3	589,7	491,5	77,5	570,6	465,5	84,5	551,7	438,0	93,0	532,8	
	11	532,5	72,7	606,7	507,6	77,9	587,0	481,0	84,9	567,5	452,7	93,5	548,1	
	12	550,6	73,1	625,2	525,0	78,3	604,9	497,8	85,3	584,8	468,9	93,9	564,7	
	13	568,7	73,5	643,7	542,5	78,7	622,8	514,6	85,8	602,1	485,1	94,4	581,4	
	14	586,8	73,9	662,2	560,0	79,2	640,7	531,5	86,2	619,4	501,2	94,9	598,0	
	15	604,9	74,3	680,7	577,5	79,6	658,7	548,3	86,7	636,7	517,4	95,4	614,7	
	490	5	493,9	77,9	573,3	471,3	85,7	558,7	446,0	94,0	541,9	418,6	102,9	523,6
		6	511,8	78,5	591,8	488,5	86,3	576,6	462,6	94,6	559,1	434,4	103,6	540,1
		7	529,7	79,0	610,3	505,8	86,9	594,5	479,1	95,3	576,3	450,2	104,3	556,6
		8	549,0	79,7	630,3	524,4	87,6	613,8	497,0	96,0	594,9	467,3	105,1	574,5
9		568,3	80,4	650,2	543,0	88,3	633,1	514,8	96,8	613,6	484,4	105,9	592,4	
10		587,5	81,0	670,2	561,6	89,0	652,4	532,7	97,5	632,2	501,4	106,7	610,3	
11		606,8	81,7	690,1	580,1	89,7	671,7	550,5	98,3	650,8	518,5	107,5	628,2	
12		627,9	82,5	712,0	600,5	90,6	692,9	570,1	99,2	671,3	537,3	108,5	648,0	
13		649,0	83,3	734,0	620,8	91,5	714,1	589,7	100,2	691,8	556,0	109,5	667,8	
14		670,1	84,1	755,9	641,2	92,3	735,4	609,2	101,1	712,4	574,8	110,5	687,5	
15		691,2	84,9	777,8	661,5	93,2	756,6	628,8	102,0	732,9	593,5	111,5	707,3	
570		5	565,3	90,8	657,9	538,6	99,8	640,4	510,6	109,8	622,6	481,3	120,8	604,5
		6	585,1	91,3	678,2	557,6	100,4	660,0	528,9	110,5	641,6	498,8	121,6	622,9
		7	604,8	91,8	698,4	576,7	101,0	679,7	547,2	111,2	660,6	516,4	122,4	641,2
		8	626,0	92,3	720,1	597,1	101,6	700,7	566,9	111,9	681,0	535,3	123,2	660,9
	9	647,1	92,8	741,7	617,5	102,2	721,7	586,5	112,6	701,4	554,2	124,0	680,6	
	10	668,2	93,3	763,4	637,9	102,8	742,8	606,2	113,3	721,8	573,1	124,8	700,4	
	11	689,4	93,8	785,0	658,3	103,4	763,8	625,9	114,0	742,2	592,0	125,6	720,1	
	12	712,3	94,3	808,5	680,5	104,1	786,7	647,3	114,8	764,4	612,6	126,5	741,6	
	13	735,3	94,9	832,1	702,7	104,8	809,6	668,7	115,6	786,6	633,3	127,3	763,1	
	14	758,3	95,4	855,6	724,9	105,4	832,5	690,2	116,4	808,9	653,9	128,2	784,7	
	15	781,2	96,0	879,2	747,1	106,1	855,4	711,6	117,1	831,1	674,6	129,1	806,2	
	630	5	633,1	103,4	738,5	603,2	113,7	719,1	571,9	125,0	699,5	539,1	137,5	679,4
		6	654,9	104,0	760,9	624,2	114,4	740,9	592,2	125,8	720,5	558,6	138,4	699,8
		7	676,7	104,6	783,4	645,3	115,1	762,7	612,5	126,6	741,6	578,1	139,3	720,1
		8	700,0	105,2	807,3	667,8	115,8	785,9	634,1	127,5	764,2	598,9	140,3	742,0
9		723,2	105,8	831,2	690,3	116,6	809,2	655,8	128,4	786,7	619,7	141,2	763,8	
10		746,5	106,4	855,1	712,8	117,3	832,4	677,5	129,2	809,3	640,6	142,2	785,6	
11		769,8	107,1	879,0	735,3	118,0	855,7	699,2	130,1	831,8	661,4	143,2	807,4	
12		795,0	107,8	904,9	759,6	118,9	880,9	722,7	131,0	856,4	684,1	144,2	831,2	
13		820,2	108,4	930,8	784,0	119,7	906,1	746,3	131,9	880,9	706,8	145,3	855,0	
14		845,4	109,1	956,7	808,4	120,5	931,3	769,9	132,9	905,4	729,5	146,3	878,8	
15		870,6	109,8	982,6	832,8	121,3	956,5	793,4	133,8	929,9	752,2	147,4	902,5	
700		5	696,6	117,3	809,5	662,4	130,1	787,6	627,5	143,3	765,4	591,6	157,2	742,9
		6	721,4	117,5	834,4	686,2	130,6	811,9	650,4	144,1	789,1	613,6	158,2	765,8
		7	746,2	117,7	859,4	710,1	131,2	836,3	673,3	144,9	812,8	635,6	159,2	788,8
		8	772,8	117,8	886,1	735,7	131,6	862,4	698,0	145,7	838,2	659,2	160,3	813,5
	9	799,3	117,9	912,8	761,4	132,1	888,5	722,6	146,5	863,6	682,9	161,4	838,1	
	10	825,9	118,0	939,5	787,0	132,6	914,6	747,3	147,3	889,1	706,5	162,5	862,8	
	11	852,5	118,2	966,2	812,6	133,1	940,7	771,9	148,1	914,5	730,1	163,5	887,5	
	12	881,5	118,2	995,2	840,6	133,6	969,1	798,9	149,0	942,3	756,1	164,7	914,6	
	13	910,4	118,2	1024,2	868,6	134,0	997,6	825,9	149,8	970,0	782,0	165,9	941,6	
	14	939,4	118,3	1053,2	896,6	134,5	1026,0	852,9	150,6	997,8	807,9	167,0	968,7	
	15	968,4	118,3	1082,2	924,6	134,9	1054,4	879,8	151,5	1025,6	833,9	168,2	995,7	

Cooling and Heating Capacities - SYSCREW WATER EVO HP R513A (STD/S) (continue)

Model	LWT °C	Condenser LWT (°C)												
		45			50			55			60			
		P _{COOL}	P _{ABS}	P _{HEAT}	P _{COOL}	P _{ABS}	P _{HEAT}	P _{COOL}	P _{ABS}	P _{HEAT}	P _{COOL}	P _{ABS}	P _{HEAT}	
		kW	kW	kW	kW	kW	kW	kW	kW	kW	kW	kW	kW	
440	5	340,4	100,4	442,8	313,2	111,2	426,6	284,5	122,9	409,8	254,3	135,3	392,3	
	6	353,5	100,9	456,4	325,5	111,8	439,5	296,1	123,5	422,1				
	7	366,6	101,4	470,0	337,9	112,3	452,5	307,8	124,1	434,4				
	8	380,6	101,9	484,6	351,3	112,9	466,4	320,4	124,8	447,6				
	9	394,7	102,4	499,2	364,7	113,4	480,3	333,0	125,4	460,9				
	10	408,8	102,9	513,8	378,0	114,0	494,3	345,6	126,0	474,1				
	11	422,9	103,4	528,3	391,4	114,5	508,2	358,2	126,7	487,4				
	12	438,3	103,9	544,3	406,1	115,1	523,5	372,1	127,3	501,9				
	13	453,8	104,4	560,3	420,8	115,7	538,8	386,0	128,0	516,5				
	14	469,2	105,0	576,3	435,5	116,3	554,1	399,9	128,6	531,1				
	15	484,7	105,5	592,3	450,2	116,8	569,3	413,8	129,3	545,7				
	490	5	389,5	112,8	504,6	359,5	123,6	485,5	328,8	135,7	467,2	298,2	149,2	450,4
		6	404,6	113,5	520,3	373,6	124,4	500,5	342,1	136,5	481,4			
		7	419,6	114,2	536,1	387,8	125,2	515,5	355,4	137,3	495,5			
		8	435,9	115,1	553,2	403,2	126,1	531,8	369,8	138,3	510,9			
9		452,1	115,9	570,4	418,6	127,0	548,1	384,3	139,3	526,3				
10		468,4	116,8	587,5	433,9	127,9	564,4	398,7	140,2	541,7				
11		484,6	117,7	604,6	449,3	128,8	580,7	413,1	141,2	557,1				
12		502,5	118,7	623,6	466,3	129,9	598,8	429,1	142,4	574,4				
13		520,4	119,8	642,6	483,3	131,1	617,0	445,2	143,6	591,6				
14		538,3	120,8	661,5	500,3	132,2	635,1	461,2	144,8	608,8				
15		556,2	121,9	680,5	517,2	133,3	653,2	477,2	146,0	626,0				
570		5	450,4	132,8	585,9	418,0	145,8	566,7	383,8	159,7	546,7	347,6	174,7	525,7
		6	467,3	133,6	603,6	434,0	146,7	583,6	399,0	160,7	562,9			
		7	484,1	134,5	621,3	450,1	147,6	600,6	414,2	161,7	579,1			
		8	502,2	135,4	640,3	467,3	148,6	618,9	430,7	162,8	596,7			
	9	520,3	136,3	659,3	484,6	149,6	637,2	447,1	163,8	614,2				
	10	538,4	137,2	678,3	501,9	150,5	655,5	463,6	164,9	631,7				
	11	556,5	138,1	697,3	519,2	151,5	673,7	480,0	165,9	649,3				
	12	576,3	139,1	718,1	538,2	152,6	693,8	498,1	167,1	668,6				
	13	596,1	140,0	738,9	557,2	153,6	713,9	516,3	168,2	687,9				
	14	616,0	141,0	759,8	576,2	154,7	734,0	534,4	169,4	707,2				
	15	635,8	142,0	780,6	595,2	155,8	754,1	552,6	170,5	726,5				
	630	5	504,6	151,1	658,7	468,3	165,8	637,4	429,9	181,6	615,1	393,1	198,5	591,8
		6	523,3	152,1	678,4	486,0	166,9	656,2	446,8	182,7	633,2			
		7	541,9	153,1	698,0	503,8	167,9	675,1	463,6	183,9	651,2			
		8	561,9	154,1	719,1	522,9	169,1	695,4	481,8	185,1	670,7			
9		581,8	155,2	740,1	542,0	170,2	715,6	500,0	186,4	690,1				
10		601,8	156,3	761,2	561,1	171,4	735,9	518,2	187,6	709,6				
11		621,8	157,3	782,3	580,2	172,6	756,2	536,4	188,9	729,0				
12		643,6	158,5	805,3	601,1	173,8	778,4	556,4	190,2	750,4				
13		665,5	159,6	828,3	622,0	175,1	800,6	576,4	191,6	771,8				
14		687,3	160,8	851,3	642,9	176,3	822,8	596,3	192,9	793,1				
15		709,1	161,9	874,3	663,9	177,6	845,0	616,3	194,3	814,5				
700		5	554,5	172,0	720,0	515,7	188,2	696,8	475,0	205,9	673,1	436,3	212,7	655,4
		6	575,5	173,2	742,1	535,7	189,5	718,0	494,0	207,3	693,4			
		7	596,4	174,4	764,3	555,7	190,8	739,3	512,9	208,6	713,7			
		8	619,1	175,7	788,1	577,2	192,3	762,2	533,4	210,2	735,7			
	9	641,7	177,0	812,0	598,8	193,7	785,2	553,9	211,8	757,7				
	10	664,3	178,3	835,9	620,4	195,2	808,2	574,4	213,4	779,8				
	11	686,9	179,6	859,8	642,0	196,7	831,2	594,9	215,0	801,8				
	12	711,8	181,1	886,0	665,7	198,4	856,6	617,5	216,9	826,2				
	13	736,7	182,5	912,3	689,5	200,0	882,0	640,2	218,8	850,7				
	14	761,5	183,9	938,5	713,3	201,7	907,4	662,8	220,6	875,1				
	15	786,4	185,4	964,8	737,0	203,4	932,7	685,5	222,5	899,6				

Cooling and Heating Capacities - SYSREW WATER EVO HP R513A (STD/S) (continue)

Model	LWT °C	Condenser LWT (°C)												
		25			30			35			40			
		P _{COOL}	P _{ABS}	P _{HEAT}	P _{COOL}	P _{ABS}	P _{HEAT}	P _{COOL}	P _{ABS}	P _{HEAT}	P _{COOL}	P _{ABS}	P _{HEAT}	
		kW	kW	kW	kW	kW	kW	kW	kW	kW	kW	kW	kW	
770	5	757,5	122,9	884,1	720,3	135,4	859,7	682,3	149,0	835,7	643,1	163,9	811,9	
	6	784,1	123,5	911,3	745,9	136,1	886,1	706,9	149,9	861,3	666,7	164,9	836,6	
	7	810,7	124,0	938,4	771,5	136,8	912,4	731,5	150,8	886,8	690,3	166,0	861,2	
	8	839,1	124,6	967,4	798,9	137,6	940,6	757,8	151,7	914,1	715,5	167,1	887,7	
	9	867,5	125,1	996,3	826,3	138,3	968,8	784,2	152,7	941,5	740,8	168,2	914,1	
	10	895,9	125,7	1025,3	853,7	139,1	997,0	810,6	153,6	968,8	766,1	169,4	940,6	
	11	924,3	126,2	1054,3	881,1	139,9	1025,1	836,9	154,6	996,2	791,4	170,5	967,0	
	12	955,1	126,8	1085,7	910,9	140,7	1055,8	865,7	155,6	1025,9	819,1	171,7	995,9	
	13	985,9	127,4	1117,1	940,7	141,5	1086,4	894,4	156,7	1055,7	846,7	173,0	1024,8	
	14	1016,7	128,0	1148,5	970,5	142,3	1117,0	923,1	157,7	1085,5	874,3	174,2	1053,7	
	15	1047,6	128,5	1179,9	1000,3	143,1	1147,6	951,8	158,7	1115,3	901,9	175,4	1082,6	
	860	5	848,2	140,1	991,0	806,7	150,5	960,2	762,6	164,2	930,1	715,6	181,0	900,2
		6	877,9	140,8	1021,5	835,5	151,2	989,7	790,2	165,0	958,5	742,1	181,8	927,6
		7	907,6	141,6	1052,1	864,2	152,0	1019,2	817,8	165,8	987,0	768,6	182,7	954,9
		8	939,4	142,4	1084,6	894,9	152,8	1050,7	847,4	166,6	1017,4	797,0	183,6	984,2
9		971,2	143,1	1117,2	925,6	153,6	1082,2	877,0	167,4	1047,8	825,3	184,4	1013,5	
10		1002,9	143,9	1149,7	956,3	154,3	1113,7	906,6	168,3	1078,2	853,7	185,3	1042,7	
11		1034,7	144,7	1182,3	987,0	155,1	1145,2	936,1	169,1	1108,6	882,1	186,2	1072,0	
12		1069,3	145,5	1217,6	1020,4	155,9	1179,5	968,4	169,9	1141,7	913,0	187,1	1103,9	
13		1103,8	146,2	1253,0	1053,8	156,7	1213,7	1000,6	170,8	1174,8	944,0	188,0	1135,8	
14		1138,4	147,0	1288,3	1087,3	157,5	1247,9	1032,8	171,6	1207,9	975,0	188,9	1167,7	
15		1172,9	147,8	1323,7	1120,7	158,3	1282,2	1065,1	172,5	1241,0	1006,0	189,9	1199,6	
920		5	911,4	147,6	1062,0	868,6	160,6	1032,5	821,8	175,8	1001,2	771,5	193,2	968,5
		6	943,8	148,5	1095,3	899,9	161,6	1064,7	851,9	176,9	1032,3	800,3	194,3	998,4
		7	976,2	149,5	1128,7	931,2	162,6	1097,0	882,0	177,9	1063,4	829,0	195,4	1028,3
		8	1011,0	150,5	1164,4	964,7	163,6	1131,6	914,2	179,0	1096,8	860,0	196,6	1060,5
	9	1045,7	151,5	1200,2	998,3	164,7	1166,2	946,5	180,1	1130,2	890,9	197,8	1092,6	
	10	1080,4	152,5	1235,9	1031,8	165,8	1200,9	978,8	181,3	1163,7	921,8	199,0	1124,8	
	11	1115,2	153,5	1271,7	1065,3	166,8	1235,5	1011,0	182,4	1197,1	952,7	200,2	1156,9	
	12	1153,0	154,6	1310,8	1101,9	168,0	1273,4	1046,3	183,7	1233,7	986,6	201,6	1192,2	
	13	1190,9	155,8	1349,8	1138,6	169,3	1311,2	1081,6	185,0	1270,3	1020,4	203,1	1227,5	
	14	1228,8	157,0	1388,9	1175,2	170,5	1349,1	1116,8	186,3	1306,9	1054,3	204,5	1262,8	
	15	1266,7	158,1	1428,0	1211,8	171,7	1386,9	1152,1	187,7	1343,5	1088,1	205,9	1298,1	
	990	5	975,0	155,3	1134,2	930,6	170,8	1105,7	880,9	187,4	1073,0	826,9	205,3	1037,3
		6	1010,2	156,4	1170,5	964,6	172,0	1140,9	913,5	188,6	1106,9	858,1	206,6	1069,9
		7	1045,5	157,5	1206,9	998,6	173,2	1176,1	946,1	189,9	1140,8	889,3	207,9	1102,4
		8	1083,3	158,7	1246,0	1035,1	174,5	1214,0	981,2	191,3	1177,4	922,9	209,5	1137,6
9		1121,2	160,0	1285,2	1071,6	175,9	1251,9	1016,3	192,8	1213,9	956,5	211,1	1172,8	
10		1159,0	161,3	1324,3	1108,1	177,3	1289,8	1051,4	194,3	1250,5	990,1	212,6	1208,0	
11		1196,8	162,6	1363,4	1144,6	178,6	1327,7	1086,5	195,7	1287,1	1023,7	214,2	1243,2	
12		1238,2	164,1	1406,4	1184,5	180,3	1369,3	1124,9	197,5	1327,4	1060,5	216,1	1282,0	
13		1279,5	165,7	1449,3	1224,4	182,0	1410,9	1163,4	199,3	1367,6	1097,4	218,0	1320,8	
14		1320,8	167,2	1492,2	1264,3	183,6	1452,5	1201,8	201,1	1407,9	1134,2	219,9	1359,6	
15		1362,2	168,8	1535,1	1304,2	185,3	1494,2	1240,2	202,9	1448,2	1171,1	221,8	1398,5	
1070		5	1044,0	167,3	1215,5	995,9	184,0	1184,5	943,8	202,2	1151,1	888,3	222,1	1116,0
		6	1081,0	168,3	1253,4	1031,5	185,1	1221,3	978,1	203,4	1186,7	921,2	223,4	1150,2
		7	1117,9	169,2	1291,4	1067,2	186,2	1258,0	1012,4	204,7	1222,2	954,1	224,8	1184,5
		8	1157,5	170,3	1332,0	1105,4	187,4	1297,5	1049,2	206,0	1260,4	989,4	226,3	1221,4
	9	1197,0	171,4	1372,7	1143,6	188,7	1337,0	1086,0	207,4	1298,6	1024,7	227,8	1258,2	
	10	1236,6	172,5	1413,3	1181,8	189,9	1376,4	1122,8	208,8	1336,8	1060,1	229,3	1295,1	
	11	1276,1	173,6	1454,0	1220,0	191,1	1415,9	1159,6	210,2	1375,0	1095,4	230,8	1332,0	
	12	1319,2	174,8	1498,3	1261,7	192,5	1459,0	1199,8	211,7	1416,9	1134,1	232,6	1372,5	
	13	1362,2	176,0	1542,7	1303,3	193,9	1502,1	1240,0	213,3	1458,7	1172,7	234,3	1412,9	
	14	1405,3	177,3	1587,0	1345,0	195,3	1545,2	1280,2	214,9	1500,5	1211,4	236,0	1453,4	
	15	1448,4	178,5	1631,4	1386,7	196,8	1588,3	1320,4	216,4	1542,3	1250,1	237,8	1493,8	

Cooling and Heating Capacities - SYSCREW WATER EVO HP R513A (STD/S) (continue)

Model	LWT °C	Condenser LWT (°C)												
		45			50			55			60			
		P _{COOL}	P _{ABS}	P _{HEAT}	P _{COOL}	P _{ABS}	P _{HEAT}	P _{COOL}	P _{ABS}	P _{HEAT}	P _{COOL}	P _{ABS}	P _{HEAT}	
		kW	kW	kW	kW	kW	kW	kW	kW	kW	kW	kW	kW	
770	5	602,5	180,0	787,9	560,0	197,4	763,3	515,3	216,2	738,0	468,1	236,3	711,4	
	6	625,0	181,2	811,6	581,4	198,8	786,1	535,6	217,6	759,7				
	7	647,5	182,4	835,4	602,8	200,1	808,9	555,9	219,1	781,5				
	8	671,7	183,7	860,9	625,9	201,5	833,5	577,8	220,6	805,1				
	9	695,9	185,0	886,4	649,0	203,0	858,0	599,8	222,2	828,6				
	10	720,1	186,3	911,9	672,0	204,4	882,6	621,7	223,8	852,2				
	11	744,3	187,6	937,5	695,1	205,9	907,2	643,6	225,4	875,7				
	12	770,8	189,0	965,4	720,4	207,5	934,1	667,7	227,2	901,7				
	13	797,3	190,4	993,4	745,8	209,1	961,1	691,8	229,0	927,7				
	14	823,7	191,9	1021,4	771,1	210,7	988,1	716,0	230,7	953,6				
	15	850,2	193,3	1049,3	796,4	212,3	1015,1	740,1	232,5	979,6				
	860	5	665,9	200,3	870,2	613,2	221,9	839,5	557,7	245,2	807,8	499,2	270,0	774,6
		6	691,1	201,3	896,4	637,2	222,9	864,6	580,3	246,4	831,6			
		7	716,4	202,2	922,6	661,1	224,0	889,6	602,9	247,6	855,4			
		8	743,5	203,2	950,7	686,9	225,0	916,4	627,2	248,8	881,0			
9		770,6	204,1	978,8	712,6	226,1	943,3	651,5	250,1	906,6				
10		797,7	205,1	1006,9	738,4	227,2	970,1	675,8	251,3	932,1				
11		824,8	206,1	1034,9	764,1	228,3	997,0	700,2	252,5	957,7				
12		854,4	207,1	1065,6	792,4	229,4	1026,4	727,0	253,8	986,0				
13		884,1	208,1	1096,3	820,6	230,5	1055,8	753,7	255,0	1014,4				
14		913,7	209,1	1127,0	848,9	231,7	1085,2	780,5	256,3	1042,7				
15		943,4	210,1	1157,6	877,2	232,8	1114,6	807,3	257,6	1071,0				
920		5	718,1	212,7	935,1	662,2	234,3	901,2	604,3	258,1	867,6	545,0	283,9	834,6
		6	745,5	213,9	963,7	688,2	235,6	928,5	628,7	259,5	893,3			
		7	772,9	215,0	992,3	714,1	236,9	955,7	653,1	260,8	919,1			
		8	802,4	216,4	1023,1	742,0	238,3	985,1	679,4	262,4	947,0			
	9	831,9	217,7	1053,9	770,0	239,7	1014,5	705,7	263,9	975,0				
	10	861,4	219,0	1084,7	798,0	241,1	1043,9	732,1	265,5	1002,9				
	11	890,9	220,3	1115,6	825,9	242,6	1073,3	758,4	267,0	1030,8				
	12	923,2	221,8	1149,5	856,7	244,2	1105,8	787,5	268,8	1061,7				
	13	955,6	223,3	1183,4	887,5	245,9	1138,3	816,6	270,6	1092,7				
	14	987,9	224,9	1217,3	918,3	247,5	1170,7	845,7	272,4	1123,6				
	15	1020,3	226,4	1251,2	949,0	249,2	1203,2	874,8	274,2	1154,5				
	990	5	769,7	224,9	1000,2	710,4	246,6	963,2	650,0	270,7	927,5	589,7	297,7	894,8
		6	799,4	226,3	1031,3	738,4	248,1	992,7	676,2	272,3	955,3			
		7	829,0	227,7	1062,4	766,4	249,6	1022,2	702,4	273,9	983,2			
		8	861,0	229,4	1096,1	796,7	251,4	1054,3	730,9	275,8	1013,6			
9		893,0	231,0	1129,8	826,9	253,1	1086,4	759,3	277,6	1043,9				
10		925,0	232,7	1163,5	857,2	254,9	1118,5	787,8	279,5	1074,3				
11		957,0	234,4	1197,2	887,5	256,6	1150,6	816,3	281,4	1104,7				
12		992,2	236,4	1234,5	920,9	258,8	1186,2	847,8	283,7	1138,6				
13		1027,4	238,5	1271,8	954,4	261,0	1221,9	879,3	286,0	1172,5				
14		1062,6	240,5	1309,1	987,8	263,2	1257,5	910,9	288,3	1206,4				
15		1097,8	242,5	1346,4	1021,2	265,4	1293,2	942,4	290,6	1240,3				
1070		5	829,7	243,8	1079,6	768,4	267,5	1042,6	704,8	293,5	1005,6	639,2	321,9	969,1
		6	861,1	245,3	1112,5	798,2	269,1	1074,1	732,9	295,2	1035,5			
		7	892,5	246,7	1145,4	828,0	270,7	1105,5	761,0	297,0	1065,4			
		8	926,3	248,4	1180,9	860,2	272,5	1139,5	791,5	298,9	1097,8			
	9	960,0	250,0	1216,3	892,3	274,3	1173,5	822,0	300,8	1130,2				
	10	993,8	251,7	1251,8	924,5	276,1	1207,5	852,4	302,7	1162,7				
	11	1027,6	253,3	1287,3	956,7	277,9	1241,5	882,9	304,6	1195,1				
	12	1064,7	255,2	1326,3	992,1	279,9	1279,0	916,5	306,8	1231,0				
	13	1101,8	257,1	1365,3	1027,5	282,0	1316,5	950,2	309,0	1266,9				
	14	1138,8	259,0	1404,3	1062,9	284,0	1354,0	983,8	311,2	1302,8				
	15	1175,9	260,9	1443,4	1098,3	286,1	1391,5	1017,4	313,4	1338,7				

Cooling and Heating Capacities - SYSREW WATER EVO HP R513A (STD/S) (continue)

Model	LWT °C	Condenser LWT (°C)												
		25			30			35			40			
		P _{COOL}	P _{ABS}	P _{HEAT}	P _{COOL}	P _{ABS}	P _{HEAT}	P _{COOL}	P _{ABS}	P _{HEAT}	P _{COOL}	P _{HEAT}		
		kW	kW	kW	kW	kW	kW	kW	kW	kW	kW	kW		
1130	5	1117,6	179,6	1300,8	1065,4	197,5	1266,8	1010,8	217,3	1232,5	953,6	239,2	1197,6	
	6	1156,5	180,5	1340,5	1102,9	198,5	1305,4	1046,9	218,6	1269,9	988,3	240,6	1233,7	
	7	1195,3	181,3	1380,3	1140,4	199,6	1344,0	1083,0	219,8	1307,3	1022,9	242,0	1269,8	
	8	1236,9	182,2	1422,8	1180,6	200,7	1385,3	1121,8	221,1	1347,3	1060,2	243,5	1308,5	
	9	1278,6	183,1	1465,4	1220,8	201,8	1426,7	1160,5	222,4	1387,4	1097,4	245,0	1347,3	
	10	1320,2	184,0	1507,9	1261,0	202,9	1468,0	1199,3	223,7	1427,5	1134,7	246,5	1386,1	
	11	1361,8	185,0	1550,4	1301,2	204,0	1509,3	1238,0	225,0	1467,6	1171,9	248,0	1424,8	
	12	1407,1	185,9	1596,7	1345,1	205,2	1554,4	1280,4	226,4	1511,3	1212,7	249,6	1467,3	
	13	1452,4	186,9	1643,1	1388,9	206,4	1599,5	1322,7	227,8	1555,1	1253,5	251,1	1509,7	
	14	1497,8	187,8	1689,4	1432,8	207,6	1644,5	1365,1	229,2	1598,9	1294,3	252,7	1552,1	
	15	1543,1	188,8	1735,7	1476,6	208,8	1689,6	1407,4	230,6	1642,6	1335,1	254,3	1594,5	
	1220	5	1192,4	191,2	1388,4	1137,0	210,2	1352,5	1079,0	231,4	1316,1	1018,1	254,6	1279,1
		6	1233,7	192,1	1430,7	1176,9	211,3	1393,5	1117,4	232,7	1355,9	1055,0	256,1	1317,5
		7	1275,0	193,0	1472,9	1216,7	212,5	1434,5	1155,8	234,0	1395,6	1091,9	257,6	1355,9
		8	1319,2	194,0	1518,0	1259,4	213,6	1478,4	1196,9	235,4	1438,2	1131,4	259,2	1397,1
9		1363,4	194,9	1563,2	1302,1	214,8	1522,3	1238,1	236,7	1480,8	1171,0	260,8	1438,3	
10		1407,5	195,9	1608,3	1344,8	216,0	1566,2	1279,2	238,1	1523,3	1210,6	262,3	1479,5	
11		1451,7	196,9	1653,5	1387,5	217,2	1610,1	1320,4	239,5	1565,9	1250,2	263,9	1520,7	
12		1499,8	197,9	1702,6	1434,0	218,4	1657,9	1365,3	241,0	1612,3	1293,5	265,6	1565,7	
13		1547,9	198,9	1751,7	1480,5	219,7	1705,7	1410,3	242,4	1658,8	1336,8	267,3	1610,8	
14		1595,9	199,9	1800,9	1527,1	220,9	1753,5	1455,2	243,9	1705,2	1380,1	268,9	1655,8	
15		1644,0	200,9	1850,0	1573,6	222,2	1801,3	1500,2	245,4	1751,7	1423,4	270,6	1700,8	
1280		5	1254,9	202,8	1461,7	1196,8	222,9	1424,2	1136,0	245,4	1386,2	1072,1	270,0	1347,6
		6	1298,2	203,7	1506,0	1238,6	224,1	1467,2	1176,2	246,7	1427,9	1110,8	271,6	1387,8
		7	1341,4	204,7	1550,2	1280,3	225,3	1510,2	1216,5	248,1	1469,6	1149,5	273,2	1428,1
		8	1387,7	205,7	1597,5	1325,1	226,5	1556,1	1259,6	249,6	1514,2	1191,0	274,8	1471,3
	9	1433,9	206,7	1644,8	1369,8	227,8	1602,1	1302,7	251,0	1558,8	1232,5	276,5	1514,5	
	10	1480,2	207,7	1692,1	1414,5	229,0	1648,1	1345,9	252,5	1603,4	1274,0	278,1	1557,7	
	11	1526,4	208,7	1739,3	1459,2	230,2	1694,0	1389,0	253,9	1648,0	1315,5	279,8	1600,9	
	12	1576,7	209,8	1790,7	1507,9	231,6	1744,1	1436,0	255,5	1696,6	1360,8	281,6	1648,0	
	13	1627,0	210,9	1842,1	1556,6	232,9	1794,1	1483,1	257,0	1745,2	1406,2	283,3	1695,2	
	14	1677,3	211,9	1893,5	1605,3	234,2	1844,2	1530,1	258,6	1793,9	1451,5	285,1	1742,3	
	15	1727,6	213,0	1944,9	1654,0	235,5	1894,2	1577,2	260,1	1842,5	1496,9	286,9	1789,5	
	1400	5	1385,5	232,2	1611,1	1317,9	257,6	1568,2	1249,1	283,7	1524,7	1178,3	311,2	1480,6
		6	1434,3	232,6	1660,2	1365,0	258,7	1616,3	1294,4	285,3	1571,5	1221,7	313,2	1525,9
		7	1483,1	233,0	1709,4	1412,0	259,7	1664,3	1339,6	286,8	1618,3	1265,1	315,2	1571,3
		8	1535,2	233,3	1761,8	1462,4	260,6	1715,6	1388,1	288,4	1668,3	1311,7	317,3	1619,9
9		1587,4	233,5	1814,3	1512,8	261,6	1766,9	1436,7	290,0	1718,4	1358,3	319,4	1668,6	
10		1639,6	233,8	1866,7	1563,2	262,6	1818,2	1485,2	291,6	1768,4	1404,9	321,5	1717,2	
11		1691,7	234,1	1919,1	1613,5	263,5	1869,5	1533,7	293,2	1818,5	1451,5	323,6	1765,9	
12		1748,4	234,1	1975,8	1668,4	264,4	1925,2	1586,6	294,8	1873,0	1502,5	325,9	1819,0	
13		1805,0	234,2	2032,6	1723,2	265,3	1980,9	1639,5	296,4	1927,5	1553,5	328,1	1872,2	
14		1861,7	234,3	2089,3	1778,0	266,2	2036,6	1692,4	298,0	1981,9	1604,4	330,4	1925,3	
15		1918,3	234,4	2146,0	1832,8	267,1	2092,3	1745,4	299,6	2036,4	1655,4	332,6	1978,5	
1500		5	1500,0	242,6	1747,4	1427,3	267,2	1699,9	1353,0	294,3	1653,3	1276,5	323,9	1606,9
		6	1552,3	243,5	1800,7	1477,8	268,5	1751,7	1401,6	295,9	1703,5	1323,2	325,8	1655,5
		7	1604,6	244,4	1853,9	1528,3	269,8	1803,5	1450,3	297,5	1753,7	1369,8	327,7	1704,1
		8	1660,5	245,3	1910,7	1582,3	271,1	1858,7	1502,3	299,2	1807,4	1419,8	329,7	1756,2
	9	1716,3	246,2	1967,4	1636,2	272,3	1914,0	1554,3	300,9	1861,2	1469,8	331,7	1808,2	
	10	1772,1	247,0	2024,1	1690,2	273,6	1969,3	1606,3	302,5	1914,9	1519,8	333,8	1860,3	
	11	1827,9	247,9	2080,8	1744,1	274,9	2024,5	1658,3	304,2	1968,6	1569,9	335,8	1912,3	
	12	1888,4	248,8	2142,1	1802,6	276,2	2084,4	1714,9	305,9	2026,9	1624,4	337,9	1969,1	
	13	1948,8	249,7	2203,4	1861,2	277,5	2144,3	1771,4	307,7	2085,3	1678,9	340,1	2025,8	
	14	2009,2	250,5	2264,7	1919,7	278,9	2204,2	1828,0	309,4	2143,6	1733,4	342,3	2082,5	
	15	2069,7	251,4	2326,1	1978,3	280,2	2264,0	1884,6	311,2	2202,0	1787,9	344,4	2139,2	

Cooling and Heating Capacities - SYSCREW WATER EVO HP R513A (STD/S) (continue)

Model	LWT °C	Condenser LWT (°C)												
		45			50			55			60			
		P _{COOL}	P _{ABS}	P _{HEAT}	P _{COOL}	P _{ABS}	P _{HEAT}	P _{COOL}	P _{ABS}	P _{HEAT}	P _{COOL}	P _{ABS}	P _{HEAT}	
		kW	kW	kW	kW	kW	kW	kW	kW	kW	kW	kW	kW	
1130	5	893,4	263,0	1161,7	829,9	288,9	1124,5	762,8	316,7	1085,9	691,9	346,6	1045,4	
	6	926,6	264,6	1196,5	861,6	290,6	1158,0	792,9	318,6	1117,9				
	7	959,7	266,2	1231,2	893,2	292,3	1191,4	823,1	320,5	1149,9				
	8	995,5	267,8	1268,7	927,4	294,1	1227,4	855,6	322,4	1184,5				
	9	1031,2	269,5	1306,1	961,5	296,0	1263,4	888,1	324,4	1219,0				
	10	1066,9	271,2	1343,5	995,7	297,8	1299,4	920,7	326,4	1253,6				
	11	1102,6	272,8	1380,9	1029,8	299,6	1335,4	953,2	328,3	1288,1				
	12	1141,8	274,6	1421,9	1067,4	301,6	1375,0	989,1	330,5	1326,2				
	13	1181,0	276,4	1462,9	1104,9	303,5	1414,5	1025,0	332,6	1364,2				
	14	1220,2	278,2	1503,9	1142,5	305,5	1454,1	1060,9	334,7	1402,3				
	15	1259,4	279,9	1544,9	1180,0	307,4	1493,6	1096,7	336,8	1440,3				
	1220	5	954,1	280,0	1241,1	886,5	307,5	1201,7	815,1	337,2	1160,7	739,5	369,0	1117,7
		6	989,4	281,7	1278,1	920,2	309,4	1237,3	847,1	339,2	1194,8			
		7	1024,7	283,3	1315,1	953,9	311,2	1272,9	879,2	341,2	1228,9			
		8	1062,6	285,1	1354,9	990,2	313,1	1311,2	913,8	343,2	1265,6			
9		1100,6	286,9	1394,6	1026,5	315,0	1349,5	948,4	345,3	1302,4				
10		1138,6	288,6	1434,4	1062,9	317,0	1387,7	983,1	347,4	1339,2				
11		1176,6	290,4	1474,2	1099,2	318,9	1426,0	1017,7	349,5	1375,9				
12		1218,2	292,2	1517,8	1139,1	321,0	1468,1	1055,8	351,8	1416,4				
13		1259,8	294,1	1561,3	1179,0	323,0	1510,1	1094,0	354,0	1456,8				
14		1301,5	296,0	1604,9	1218,9	325,1	1552,1	1132,1	356,2	1497,3				
15		1343,1	297,9	1648,4	1258,8	327,2	1594,2	1170,3	358,5	1537,7				
1280		5	1004,9	297,0	1307,8	933,9	326,2	1266,6	858,9	357,7	1223,8	779,5	391,5	1178,8
		6	1041,9	298,7	1346,6	969,3	328,1	1304,0	892,6	359,8	1259,6			
		7	1079,0	300,5	1385,5	1004,7	330,0	1341,3	926,3	361,8	1295,4			
		8	1118,8	302,3	1427,2	1042,8	332,1	1381,5	962,6	364,0	1333,9			
	9	1158,6	304,2	1468,9	1080,9	334,1	1421,7	998,9	366,2	1372,5				
	10	1198,5	306,0	1510,6	1119,0	336,1	1461,9	1035,3	368,4	1411,1				
	11	1238,3	307,9	1552,3	1157,1	338,1	1502,0	1071,6	370,6	1449,7				
	12	1281,9	309,8	1598,0	1199,0	340,3	1546,1	1111,6	373,0	1492,1				
	13	1325,5	311,8	1643,6	1240,8	342,5	1590,1	1151,6	375,4	1534,5				
	14	1369,1	313,8	1689,2	1282,6	344,7	1634,2	1191,6	377,7	1576,9				
	15	1412,8	315,8	1734,9	1324,5	346,9	1678,3	1231,6	380,1	1619,3				
	1400	5	1104,9	340,6	1435,7	1028,2	372,5	1390,1	947,5	407,7	1343,5	862,2	425,3	1296,0
		6	1146,4	342,9	1479,5	1067,7	375,1	1432,1	985,0	410,4	1383,7			
		7	1187,9	345,2	1523,2	1107,2	377,7	1474,1	1022,5	413,1	1423,8			
		8	1232,5	347,8	1570,4	1149,9	380,6	1519,6	1063,1	416,2	1467,4			
9		1277,2	350,3	1617,5	1192,5	383,5	1565,0	1103,6	419,4	1511,0				
10		1321,8	352,9	1664,6	1235,1	386,3	1610,4	1144,2	422,5	1554,6				
11		1366,4	355,4	1711,7	1277,7	389,2	1655,8	1184,7	425,6	1598,2				
12		1415,4	358,2	1763,4	1324,6	392,5	1705,9	1229,5	429,3	1646,4				
13		1464,3	361,0	1815,0	1371,4	395,8	1755,9	1274,2	432,9	1694,7				
14		1513,2	363,8	1866,7	1418,3	399,0	1805,9	1318,9	436,6	1742,9				
15		1562,2	366,6	1918,3	1465,1	402,3	1855,9	1363,6	440,2	1791,2				
1500		5	1197,1	356,0	1560,2	1114,0	390,8	1512,6	1026,5	428,2	1463,2	933,9	468,3	1411,6
		6	1241,7	358,2	1607,1	1156,5	393,2	1557,6	1066,9	430,8	1506,3			
		7	1286,3	360,4	1654,0	1199,1	395,7	1602,6	1107,3	433,5	1549,5			
		8	1334,3	362,7	1704,3	1244,8	398,3	1651,1	1150,9	436,4	1596,0			
	9	1382,2	365,1	1754,6	1290,6	400,9	1699,6	1194,5	439,4	1642,6				
	10	1430,1	367,4	1804,9	1336,4	403,6	1748,1	1238,1	442,3	1689,2				
	11	1478,1	369,8	1855,2	1382,2	406,2	1796,6	1281,7	445,2	1735,8				
	12	1530,5	372,3	1910,2	1432,4	409,1	1849,8	1329,6	448,5	1787,0				
	13	1582,9	374,9	1965,2	1482,6	412,1	1902,9	1377,6	451,7	1838,3				
	14	1635,2	377,4	2020,2	1532,8	415,0	1956,1	1425,5	455,0	1889,6				
	15	1687,6	380,0	2075,2	1583,1	417,9	2009,3	1473,5	458,3	1940,9				

Cooling Capacities - SYSREW WATER EVO RC R134a - STD / S Version

Model	LWT °C	Condensing Temperature												
		29			34			39			44			
		P _{COOL}	P _{ABS}	P _{REJ}	P _{COOL}	P _{ABS}	P _{REJ}	P _{COOL}	P _{ABS}	P _{REJ}	P _{COOL}	P _{ABS}	P _{REJ}	
		kW	kW	kW	kW	kW	kW	kW	kW	kW	kW	kW	kW	
440	5	413,9	69,9	482,8	395,9	74,9	469,7	376,1	81,3	456,1	354,8	89,0	442,4	
	6	429,1	70,6	498,5	410,6	75,5	485,0	390,3	81,9	471,0	368,5	89,6	456,7	
	7	444,2	71,2	514,3	425,3	76,1	500,3	404,6	82,5	485,8	382,2	90,2	471,0	
	8	460,4	71,9	531,2	441,1	76,8	516,7	419,8	83,1	501,7	396,9	90,8	486,3	
	9	476,7	72,5	548,1	456,9	77,5	533,1	435,1	83,7	517,6	411,7	91,4	501,7	
	10	493,0	73,2	565,1	472,6	78,1	549,6	450,4	84,4	533,5	426,4	92,0	517,0	
	11	509,2	73,9	582,0	488,4	78,8	566,0	465,7	85,0	549,4	441,1	92,6	532,4	
	12	527,0	74,6	600,5	505,7	79,5	584,0	482,4	85,7	566,8	457,3	93,3	549,1	
	13	544,8	75,4	619,0	523,0	80,2	601,9	499,2	86,4	584,2	473,4	93,9	565,9	
	14	562,5	76,1	637,5	540,3	80,9	619,9	515,9	87,0	601,6	489,6	94,6	582,7	
	15	580,3	76,8	656,0	557,5	81,6	637,8	532,6	87,7	619,0	505,7	95,2	599,5	
	490	5	458,9	76,9	533,0	442,5	84,8	524,3	422,9	92,9	512,5	400,7	101,4	498,5
		6	476,0	77,6	550,9	459,2	85,5	541,7	439,1	93,6	529,4	416,3	102,1	514,9
		7	493,2	78,3	568,7	475,9	86,3	559,1	455,3	94,4	546,4	432,0	102,9	531,3
		8	511,7	79,0	587,9	493,9	87,1	577,9	472,8	95,2	564,7	448,8	103,8	549,0
9		530,2	79,8	607,2	512,0	87,9	596,7	490,3	96,0	583,0	465,7	104,6	566,7	
10		548,6	80,6	626,4	530,0	88,7	615,6	507,8	96,9	601,3	482,6	105,5	584,4	
11		567,1	81,4	645,7	548,0	89,5	634,4	525,3	97,7	619,6	499,5	106,3	602,1	
12		587,5	82,3	666,9	567,9	90,4	655,1	544,6	98,7	639,7	518,0	107,3	621,6	
13		607,8	83,2	688,1	587,7	91,4	675,9	563,8	99,6	659,9	536,6	108,3	641,1	
14		628,2	84,2	709,4	607,5	92,3	696,6	583,0	100,6	680,1	555,2	109,3	660,6	
15		648,5	85,1	730,6	627,3	93,3	717,3	602,3	101,6	700,2	573,7	110,3	680,1	
570		5	534,5	89,0	621,6	511,5	97,0	606,5	487,2	106,3	591,3	461,6	116,8	576,1
		6	553,7	89,7	641,6	530,1	97,7	625,8	505,2	107,1	610,1	479,0	117,7	594,3
		7	572,9	90,4	661,5	548,7	98,5	645,2	523,2	107,9	628,8	496,3	118,5	612,4
		8	593,5	91,2	682,8	568,7	99,3	666,0	542,5	108,7	649,0	515,0	119,4	631,9
	9	614,1	92,0	704,2	588,7	100,1	686,7	561,9	109,5	669,1	533,7	120,2	651,4	
	10	634,7	92,7	725,5	608,7	100,9	707,5	581,2	110,3	689,3	552,3	121,1	670,9	
	11	655,3	93,5	746,9	628,6	101,6	728,2	600,5	111,1	709,4	571,0	121,9	690,5	
	12	677,8	94,3	770,2	650,5	102,5	750,9	621,7	112,0	731,4	591,5	122,8	711,8	
	13	700,2	95,1	793,4	672,3	103,3	773,5	642,9	112,8	753,4	611,9	123,7	733,1	
	14	722,7	95,9	816,7	694,1	104,1	796,1	664,0	113,7	775,4	632,4	124,6	754,4	
	15	745,2	96,7	839,9	716,0	104,9	818,8	685,2	114,5	797,4	652,8	125,5	775,8	
	630	5	599,2	101,1	698,2	573,5	110,2	681,4	546,3	120,8	664,6	517,7	132,8	647,8
		6	620,5	101,9	720,3	594,1	111,1	702,9	566,2	121,7	685,5	536,9	133,8	668,0
		7	641,7	102,8	742,4	614,7	112,0	724,4	586,2	122,6	706,3	556,2	134,8	688,2
		8	664,5	103,6	766,0	636,8	112,9	747,4	607,6	123,6	728,7	576,8	135,8	709,9
9		687,3	104,5	789,7	658,9	113,8	770,4	629,0	124,6	751,0	597,5	136,8	731,5	
10		710,1	105,4	813,3	681,0	114,7	793,4	650,4	125,5	773,3	618,2	137,8	753,2	
11		732,8	106,3	837,0	703,1	115,6	816,4	671,8	126,5	795,7	638,8	138,8	774,8	
12		757,6	107,2	862,6	727,2	116,6	841,4	695,1	127,5	820,0	661,4	139,8	798,4	
13		782,4	108,2	888,3	751,3	117,5	866,4	718,5	128,5	844,3	684,0	140,9	822,0	
14		807,1	109,1	914,0	775,3	118,5	891,4	741,8	129,4	868,6	706,6	141,9	845,6	
15		831,9	110,0	939,7	799,4	119,5	916,4	765,1	130,4	892,9	729,1	143,0	869,2	
700		5	663,4	113,7	775,3	634,6	125,7	758,4	604,1	137,9	739,9	571,9	150,9	720,4
		6	687,6	114,4	800,3	658,1	126,5	782,7	626,9	138,9	763,7	593,8	152,0	743,5
		7	711,9	115,2	825,3	681,7	127,4	807,1	649,6	139,9	787,4	615,8	153,1	766,5
		8	738,0	116,0	852,2	707,0	128,3	833,3	674,1	141,0	812,9	639,5	154,2	791,3
	9	764,0	116,8	879,0	732,3	129,3	859,5	698,6	142,0	838,5	663,2	155,4	816,2	
	10	790,1	117,6	905,9	757,6	130,2	885,8	723,1	143,0	864,0	686,8	156,5	841,0	
	11	816,1	118,4	932,7	782,9	131,1	912,0	747,6	144,1	889,5	710,5	157,7	865,8	
	12	844,7	119,2	962,1	810,6	132,1	940,7	774,5	145,2	917,5	736,6	158,9	893,1	
	13	873,2	120,1	991,4	838,3	133,1	969,4	801,4	146,3	945,5	762,6	160,2	920,3	
	14	901,7	121,0	1020,8	866,0	134,1	998,1	828,3	147,5	973,5	788,6	161,4	947,6	
	15	930,2	121,8	1050,2	893,7	135,1	1026,8	855,2	148,6	1001,5	814,6	162,7	974,8	

Cooling Capacities - SYSCREW WATER EVO RC R134a - STD / S Version (continue)

Model	LWT °C	Condensing Temperature									
		49			54			59			
		P _{COOL}	P _{ABS}	P _{REJ}	P _{COOL}	P _{ABS}	P _{REJ}	P _{COOL}	P _{ABS}	P _{REJ}	
		kW	kW	kW	kW	kW	kW	kW	kW	kW	
440	5	332,1	98,0	428,6	308,2	108,2	414,8	283,2	119,8	401,2	
	6	345,2	98,6	442,3	320,7	108,8	427,9	295,1	120,4	413,7	
	7	358,4	99,2	456,0	333,2	109,4	441,0	306,9	121,0	426,1	
	8	372,5	99,8	470,8	346,7	110,1	455,1	319,7	121,6	439,5	
	9	386,6	100,4	485,5	360,2	110,7	469,2	332,5	122,2	452,9	
	10	400,8	101,0	500,2	373,7	111,3	483,3	345,4	122,8	466,3	
	11	414,9	101,6	515,0	387,2	111,9	497,4	358,2	123,4	479,7	
	12	430,4	102,2	531,1	402,1	112,5	512,8	372,3	124,0	494,4	
	13	446,0	102,8	547,2	416,9	113,1	528,3	386,4	124,6	509,1	
	14	461,5	103,4	563,4	431,8	113,7	543,7	400,6	125,2	523,8	
	15	477,0	104,1	579,5	446,6	114,3	559,2	414,7	125,7	538,6	
	490	5	376,3	110,7	483,1	350,3	121,1	467,1	322,9	133,1	451,3
		6	391,3	111,5	498,8	364,4	121,9	482,1	336,2	133,9	465,4
		7	406,2	112,3	514,6	378,6	122,7	497,0	349,6	134,7	479,5
		8	422,4	113,1	531,6	394,0	123,6	513,3	364,0	135,6	494,9
9		438,6	114,0	548,6	409,4	124,5	529,5	378,5	136,5	510,2	
10		454,7	114,9	565,6	424,7	125,4	545,7	393,0	137,4	525,5	
11		470,9	115,8	582,6	440,1	126,3	562,0	407,4	138,3	540,9	
12		488,7	116,8	601,4	457,1	127,3	579,9	423,5	139,4	557,9	
13		506,5	117,8	620,2	474,1	128,4	597,9	439,6	140,4	575,0	
14		524,4	118,8	639,0	491,0	129,4	615,9	455,6	141,4	592,1	
15		542,2	119,8	657,8	508,0	130,4	633,8	471,7	142,5	609,1	
570		5	434,8	128,7	560,9	406,8	141,8	545,7	377,7	156,2	530,7
		6	451,5	129,6	578,4	422,8	142,8	562,6	392,9	157,2	546,9
		7	468,2	130,5	596,0	438,8	143,7	579,5	408,2	158,2	563,1
		8	486,2	131,4	614,8	456,0	144,7	597,7	424,6	159,2	580,6
	9	504,1	132,3	633,7	473,3	145,6	615,9	441,1	160,2	598,1	
	10	522,1	133,2	652,5	490,5	146,6	634,1	457,6	161,3	615,6	
	11	540,1	134,1	671,4	507,7	147,5	652,3	474,1	162,3	633,1	
	12	559,8	135,0	692,0	526,7	148,5	672,2	492,3	163,3	652,3	
	13	579,5	135,9	712,7	545,7	149,5	692,1	510,4	164,4	671,5	
	14	599,3	136,9	733,3	564,7	150,5	712,1	528,6	165,4	690,7	
	15	619,0	137,8	754,0	583,6	151,4	732,0	546,8	166,4	709,9	
	630	5	487,7	146,3	631,0	456,3	161,2	614,2	423,6	177,5	597,5
		6	506,2	147,4	650,5	474,1	162,3	633,1	440,6	178,7	615,6
		7	524,7	148,4	670,1	491,8	163,4	651,9	457,5	179,9	633,7
		8	544,6	149,4	691,0	510,9	164,5	672,1	475,8	181,1	653,2
9		564,5	150,5	711,9	530,0	165,7	692,3	494,1	182,3	672,6	
10		584,4	151,6	732,9	549,1	166,8	712,5	512,3	183,5	692,1	
11		604,3	152,6	753,8	568,2	167,9	732,7	530,6	184,7	711,5	
12		626,1	153,7	776,7	589,2	169,1	754,8	550,7	185,9	732,8	
13		647,9	154,8	799,5	610,1	170,2	776,9	570,8	187,1	754,1	
14		669,6	155,9	822,4	631,1	171,4	799,0	590,9	188,4	775,4	
15		691,4	157,0	845,2	652,0	172,5	821,1	611,0	189,6	796,7	
700		5	537,9	164,8	700,2	502,3	180,1	679,7	465,0	197,2	659,1
		6	559,1	166,0	722,5	522,6	181,4	701,2	484,4	198,5	679,9
		7	580,2	167,2	744,9	542,9	182,7	722,7	503,8	199,8	700,6
		8	603,0	168,4	768,9	564,8	184,0	746,0	524,8	201,3	723,0
	9	625,9	169,7	793,0	586,7	185,4	769,3	545,8	202,7	745,4	
	10	648,7	171,0	817,0	608,7	186,7	792,6	566,8	204,1	767,9	
	11	671,5	172,2	841,1	630,6	188,1	815,8	587,9	205,6	790,3	
	12	696,7	173,6	867,6	654,8	189,5	841,5	611,1	207,1	815,1	
	13	721,8	174,9	894,1	679,1	191,0	867,2	634,4	208,7	839,9	
	14	746,9	176,3	920,6	703,3	192,5	892,8	657,6	210,3	864,7	
	15	772,1	177,7	947,0	727,5	193,9	918,5	680,9	211,8	889,5	

Cooling Capacities - SYSREW WATER EVO RC R134a - STD / S Version (continue)

Model	LWT °C	Condensing Temperature												
		29			34			39			44			
		P _{COOL}	P _{ABS}	P _{REJ}	P _{COOL}	P _{ABS}	P _{REJ}	P _{COOL}	P _{ABS}	P _{REJ}	P _{COOL}	P _{ABS}	P _{REJ}	
		kW	kW	kW	kW	kW	kW	kW	kW	kW	kW	kW	kW	
770	5	722,3	122,9	844,6	690,9	135,6	825,8	657,7	149,0	805,9	622,9	163,3	785,3	
	6	748,5	123,6	871,4	716,3	136,6	852,1	682,3	150,1	831,6	646,6	164,6	810,2	
	7	774,6	124,3	898,3	741,6	137,5	878,4	706,8	151,3	857,3	670,3	165,9	835,2	
	8	802,7	124,9	926,9	768,9	138,4	906,5	733,2	152,4	884,8	695,7	167,2	862,0	
	9	830,7	125,6	955,6	796,1	139,3	934,7	759,6	153,6	912,3	721,2	168,6	888,8	
	10	858,8	126,2	984,3	823,3	140,3	962,8	785,9	154,7	939,8	746,6	169,9	915,6	
	11	886,8	126,9	1013,0	850,6	141,2	991,0	812,3	155,9	967,3	772,1	171,3	942,4	
	12	917,3	127,5	1044,1	880,3	142,1	1021,6	841,1	157,1	997,3	799,9	172,7	971,6	
	13	947,9	128,0	1075,2	910,0	143,0	1052,2	869,9	158,2	1027,3	827,8	174,1	1000,9	
	14	978,5	128,6	1106,4	939,7	143,9	1082,8	898,7	159,4	1057,2	855,6	175,5	1030,2	
	15	1009,0	129,2	1137,5	969,4	144,8	1113,4	927,5	160,6	1087,2	883,5	176,9	1059,4	
	860	5	814,2	139,7	952,5	778,9	149,7	927,1	740,3	162,5	901,1	698,5	178,0	874,7
		6	843,8	140,9	983,2	807,7	150,9	957,1	768,1	163,7	930,1	725,3	179,2	902,7
		7	873,3	142,1	1014,0	836,4	152,1	987,0	795,9	164,9	959,1	752,2	180,3	930,7
		8	904,9	143,4	1046,9	867,2	153,4	1019,0	825,7	166,1	990,2	781,0	181,6	960,7
9		936,6	144,7	1079,8	897,9	154,6	1051,0	855,5	167,3	1021,2	809,7	182,8	990,7	
10		968,2	146,0	1112,7	928,7	155,9	1083,0	885,4	168,6	1052,3	838,5	184,0	1020,7	
11		999,8	147,3	1145,7	959,4	157,2	1115,0	915,2	169,8	1083,3	867,3	185,2	1050,7	
12		1034,3	148,7	1181,5	993,0	158,5	1149,9	947,7	171,1	1117,1	898,8	186,5	1083,4	
13		1068,7	150,2	1217,4	1026,5	159,9	1184,8	980,3	172,4	1151,0	930,2	187,7	1116,1	
14		1103,2	151,6	1253,2	1060,0	161,2	1219,7	1012,8	173,7	1184,8	961,7	189,0	1148,8	
15		1137,6	153,0	1289,1	1093,6	162,6	1254,5	1045,3	175,0	1218,6	993,1	190,2	1181,5	
920		5	873,0	146,7	1018,2	838,7	159,7	996,8	799,5	174,2	971,9	756,0	190,5	944,6
		6	905,2	148,0	1051,7	870,1	161,0	1029,5	829,9	175,5	1003,7	785,3	191,9	975,3
		7	937,4	149,2	1085,1	901,4	162,3	1062,1	860,3	176,9	1035,4	814,7	193,2	1006,0
		8	972,0	150,7	1121,1	935,1	163,8	1097,2	893,0	178,3	1069,5	846,2	194,7	1039,0
	9	1006,6	152,1	1157,1	968,8	165,2	1132,4	925,7	179,8	1103,7	877,8	196,1	1072,0	
	10	1041,2	153,5	1193,1	1002,5	166,6	1167,5	958,4	181,2	1137,8	909,4	197,6	1105,0	
	11	1075,7	154,9	1229,1	1036,2	168,0	1202,6	991,1	182,6	1171,9	940,9	199,0	1138,0	
	12	1113,6	156,5	1268,5	1073,1	169,6	1241,0	1026,9	184,2	1209,3	975,5	200,6	1174,2	
	13	1151,4	158,1	1308,0	1110,0	171,2	1279,5	1062,7	185,8	1246,7	1010,1	202,2	1210,3	
	14	1189,3	159,7	1347,4	1146,9	172,8	1318,0	1098,5	187,4	1284,0	1044,8	203,8	1246,5	
	15	1227,1	161,3	1386,8	1183,8	174,4	1356,4	1134,3	189,0	1321,4	1079,4	205,4	1282,7	
	990	5	933,5	153,8	1086,5	900,1	169,7	1068,9	860,3	185,9	1045,2	815,1	203,0	1017,0
		6	968,3	155,1	1122,6	934,0	171,2	1104,3	893,2	187,4	1079,7	846,9	204,5	1050,3
		7	1003,1	156,5	1158,8	968,0	172,6	1139,7	926,2	188,9	1114,1	878,7	206,0	1083,7
		8	1040,6	158,0	1197,8	1004,6	174,2	1177,9	961,7	190,5	1151,3	913,0	207,7	1119,6
9		1078,1	159,6	1236,9	1041,2	175,8	1216,1	997,3	192,1	1188,4	947,3	209,4	1155,6	
10		1115,6	161,1	1275,9	1077,8	177,3	1254,3	1032,8	193,8	1225,6	981,6	211,1	1191,6	
11		1153,1	162,7	1315,0	1114,4	178,9	1292,5	1068,4	195,4	1262,8	1015,9	212,8	1227,6	
12		1194,4	164,4	1357,9	1154,6	180,8	1334,5	1107,4	197,3	1303,7	1053,6	214,7	1267,2	
13		1235,6	166,2	1400,9	1194,8	182,6	1376,5	1146,4	199,2	1344,6	1091,3	216,6	1306,8	
14		1276,8	168,0	1443,9	1235,0	184,4	1418,5	1185,4	201,1	1385,5	1129,0	218,6	1346,4	
15		1318,0	169,8	1486,9	1275,2	186,3	1460,5	1224,5	202,9	1426,4	1166,7	220,5	1386,0	
1070		5	1008,0	165,6	1173,6	968,2	181,6	1149,8	924,0	199,0	1122,9	875,7	218,1	1093,8
		6	1044,7	167,0	1211,7	1004,0	183,0	1187,0	958,6	200,5	1159,0	909,2	219,7	1128,8
		7	1081,5	168,4	1249,8	1039,8	184,5	1224,2	993,3	202,0	1195,2	942,6	221,2	1163,8
		8	1121,0	169,9	1290,8	1078,2	186,0	1264,2	1030,6	203,6	1234,1	978,6	222,9	1201,5
	9	1160,5	171,4	1331,8	1116,6	187,5	1304,1	1067,9	205,1	1273,0	1014,7	224,5	1239,1	
	10	1199,9	172,9	1372,8	1155,1	189,1	1344,1	1105,2	206,7	1311,8	1050,7	226,2	1276,8	
	11	1239,4	174,4	1413,7	1193,5	190,6	1384,1	1142,5	208,3	1350,7	1086,7	227,8	1314,5	
	12	1282,6	176,0	1458,6	1235,6	192,3	1427,8	1183,3	210,0	1393,3	1126,2	229,6	1355,7	
	13	1325,8	177,6	1503,4	1277,7	194,0	1471,6	1224,1	211,8	1435,8	1165,7	231,4	1397,0	
	14	1369,0	179,3	1548,2	1319,7	195,6	1515,3	1265,0	213,5	1478,4	1205,2	233,2	1438,3	
	15	1412,1	180,9	1593,0	1361,8	197,3	1559,0	1305,8	215,2	1521,0	1244,7	235,0	1479,6	

Cooling Capacities - SYSCREW WATER EVO RC R134a - STD / S Version (continue)

Model	LWT °C	Condensing Temperature									
		49			54			59			
		P _{COOL}	P _{ABS}	P _{REJ}	P _{COOL}	P _{ABS}	P _{REJ}	P _{COOL}	P _{ABS}	P _{REJ}	
		kW	kW	kW	kW	kW	kW	kW	kW	kW	
770	5	586,6	178,8	764,4	548,8	195,8	743,5	509,7	214,6	723,1	
	6	609,3	180,2	788,5	570,5	197,3	766,7	530,3	216,1	745,2	
	7	632,1	181,6	812,6	592,3	198,7	789,9	551,0	217,6	767,4	
	8	656,5	183,1	838,6	615,7	200,4	815,0	573,4	219,3	791,4	
	9	681,0	184,6	864,6	639,2	202,0	840,0	595,7	221,0	815,5	
	10	705,5	186,1	890,6	662,6	203,6	865,1	618,1	222,7	839,5	
	11	730,0	187,6	916,5	686,1	205,2	890,1	640,4	224,3	863,5	
	12	756,8	189,2	945,0	711,8	207,0	917,7	665,0	226,2	890,0	
	13	783,6	190,8	973,4	737,6	208,8	945,2	689,7	228,1	916,6	
	14	810,5	192,4	1001,9	763,4	210,5	972,7	714,3	230,0	943,1	
	15	837,3	194,1	1030,3	789,1	212,3	1000,3	739,0	231,9	969,6	
	860	5	654,0	196,1	848,1	607,0	216,8	821,6	558,0	240,0	795,6
		6	679,7	197,3	875,0	631,6	218,0	847,4	581,3	241,2	820,1
		7	705,5	198,5	902,0	656,2	219,2	873,2	604,6	242,4	844,6
		8	733,2	199,7	930,8	682,6	220,4	900,8	629,7	243,6	870,9
9		760,8	200,9	959,7	709,1	221,6	928,4	654,8	244,8	897,2	
10		788,5	202,1	988,5	735,5	222,8	956,0	679,9	246,0	923,5	
11		816,1	203,3	1017,4	762,0	224,0	983,7	705,1	247,2	949,8	
12		846,4	204,5	1048,9	791,0	225,1	1013,9	732,7	248,4	978,6	
13		876,7	205,7	1080,4	820,0	226,3	1044,1	760,4	249,5	1007,5	
14		907,0	206,9	1111,9	849,0	227,5	1074,3	788,1	250,7	1036,3	
15		937,3	208,1	1143,4	878,1	228,7	1104,5	815,8	251,9	1065,1	
920		5	709,0	208,9	915,8	659,0	229,8	886,4	606,6	253,4	857,5
		6	737,1	210,3	945,3	685,7	231,2	914,6	631,9	254,8	884,1
		7	765,2	211,7	974,8	712,5	232,6	942,7	657,1	256,2	910,7
		8	795,5	213,1	1006,5	741,3	234,0	973,0	684,4	257,7	939,5
	9	825,8	214,6	1038,2	770,2	235,5	1003,4	711,7	259,2	968,3	
	10	856,1	216,1	1070,0	799,1	237,0	1033,7	739,0	260,7	997,1	
	11	886,4	217,5	1101,7	828,0	238,5	1064,1	766,3	262,2	1025,9	
	12	919,6	219,1	1136,6	859,8	240,1	1097,4	796,5	263,8	1057,6	
	13	952,9	220,7	1171,4	891,6	241,7	1130,8	826,7	265,4	1089,4	
	14	986,2	222,3	1206,3	923,4	243,3	1164,2	856,9	267,0	1121,2	
	15	1019,5	223,9	1241,2	955,2	244,9	1197,6	887,1	268,6	1153,0	
	990	5	765,5	221,7	986,0	712,4	242,7	953,9	656,9	266,7	922,2
		6	795,9	223,3	1018,0	741,3	244,3	984,4	684,0	268,3	950,9
		7	826,4	224,8	1050,0	770,2	245,9	1014,8	711,1	269,9	979,7
		8	859,3	226,5	1084,6	801,5	247,6	1047,9	740,6	271,7	1010,9
9		892,1	228,3	1119,2	832,8	249,4	1080,9	770,0	273,5	1042,1	
10		925,0	230,0	1153,8	864,0	251,2	1113,9	799,5	275,3	1073,3	
11		957,9	231,7	1188,4	895,3	252,9	1146,9	828,9	277,1	1104,6	
12		994,1	233,7	1226,6	929,8	254,9	1183,4	861,6	279,1	1139,2	
13		1030,3	235,7	1264,7	964,3	256,9	1220,0	894,3	281,1	1173,9	
14		1066,5	237,6	1302,9	998,9	258,9	1256,5	926,9	283,2	1208,6	
15		1102,7	239,6	1341,1	1033,4	261,0	1293,0	959,6	285,2	1243,3	
1070		5	824,0	239,4	1063,3	769,3	263,0	1032,2	712,1	289,5	1001,5
		6	856,1	241,0	1097,0	799,9	264,7	1064,6	741,1	291,3	1032,3
		7	888,2	242,6	1130,8	830,6	266,4	1096,9	770,2	293,0	1063,1
		8	922,8	244,3	1167,1	863,7	268,2	1131,8	801,7	294,9	1096,5
	9	957,5	246,0	1203,4	896,8	270,0	1166,7	833,1	296,8	1129,8	
	10	992,1	247,8	1239,8	929,9	271,8	1201,6	864,6	298,6	1163,1	
	11	1026,7	249,5	1276,1	963,0	273,6	1236,5	896,0	300,5	1196,4	
	12	1064,8	251,3	1316,0	999,5	275,5	1274,9	930,8	302,5	1233,2	
	13	1102,8	253,2	1355,9	1036,0	277,4	1313,3	965,6	304,5	1269,9	
	14	1140,9	255,0	1395,8	1072,4	279,3	1351,7	1000,3	306,4	1306,7	
	15	1178,9	256,9	1435,7	1108,9	281,2	1390,1	1035,1	308,4	1343,5	

Cooling Capacities - SYSREW WATER EVO RC R134a - STD / S Version (continue)

Model	LWT °C	Condensing Temperature												
		29			34			39			44			
		P _{COOL}	P _{ABS}	P _{REJ}	P _{COOL}	P _{ABS}	P _{REJ}	P _{COOL}	P _{ABS}	P _{REJ}	P _{COOL}	P _{ABS}	P _{REJ}	
		kW	kW	kW	kW	kW	kW	kW	kW	kW	kW	kW	kW	
1130	5	1076,3	177,8	1252,3	1030,3	193,8	1222,1	981,6	212,4	1191,8	930,3	233,6	1161,5	
	6	1115,0	179,3	1292,5	1067,9	195,3	1261,2	1017,9	213,9	1229,7	965,4	235,2	1198,2	
	7	1153,8	180,7	1332,7	1105,4	196,7	1300,2	1054,3	215,5	1267,6	1000,5	236,8	1234,9	
	8	1195,4	182,2	1375,7	1145,8	198,2	1342,1	1093,4	217,0	1308,2	1038,2	238,4	1274,3	
	9	1236,9	183,6	1418,7	1186,2	199,8	1383,9	1132,5	218,6	1348,9	1076,0	240,1	1313,7	
	10	1278,5	185,1	1461,7	1226,5	201,3	1425,8	1171,6	220,1	1389,5	1113,8	241,7	1353,0	
	11	1320,1	186,6	1504,8	1266,9	202,8	1467,6	1210,7	221,7	1430,1	1151,5	243,3	1392,4	
	12	1365,4	188,1	1551,6	1311,0	204,3	1513,3	1253,4	223,3	1474,5	1192,9	245,0	1435,5	
	13	1410,8	189,6	1598,5	1355,1	205,9	1558,9	1296,2	224,9	1518,9	1234,3	246,7	1478,5	
	14	1456,1	191,2	1645,4	1399,2	207,5	1604,5	1339,0	226,5	1563,2	1275,7	248,4	1521,6	
	15	1501,5	192,7	1692,3	1443,2	209,0	1650,2	1381,8	228,1	1607,6	1317,1	250,0	1564,6	
	1220	5	1149,0	189,2	1337,3	1100,1	206,3	1305,3	1048,3	226,1	1273,3	993,8	248,7	1241,2
		6	1190,2	190,7	1380,0	1140,1	207,8	1346,8	1087,0	227,7	1313,5	1031,1	250,4	1280,2
		7	1231,4	192,2	1422,7	1180,0	209,4	1388,3	1125,7	229,3	1353,8	1068,5	252,1	1319,2
		8	1275,5	193,8	1468,3	1222,9	211,0	1432,8	1167,2	231,0	1397,0	1108,6	253,8	1361,1
9		1319,6	195,4	1514,0	1265,7	212,5	1477,2	1208,7	232,6	1440,2	1148,7	255,5	1402,9	
10		1363,8	196,9	1559,7	1308,6	214,1	1521,6	1250,3	234,3	1483,3	1188,9	257,2	1444,8	
11		1407,9	198,5	1605,3	1351,5	215,7	1566,1	1291,8	235,9	1526,5	1229,0	259,0	1486,6	
12		1456,0	200,1	1655,0	1398,2	217,4	1614,5	1337,2	237,6	1573,6	1272,9	260,7	1532,3	
13		1504,0	201,7	1704,7	1445,0	219,0	1662,9	1382,6	239,3	1620,7	1316,9	262,5	1578,0	
14		1552,1	203,3	1754,4	1491,7	220,7	1711,3	1427,9	241,0	1667,7	1360,8	264,3	1623,7	
15		1600,2	204,9	1804,1	1538,5	222,3	1759,7	1473,3	242,7	1714,8	1404,7	266,1	1669,4	
1280		5	1209,9	200,6	1408,5	1158,6	218,7	1375,1	1104,3	239,7	1341,6	1047,0	263,7	1308,1
		6	1253,0	202,2	1453,2	1200,5	220,3	1418,6	1144,8	241,4	1383,8	1086,2	265,5	1349,0
		7	1296,2	203,8	1497,9	1242,3	222,0	1462,1	1185,4	243,1	1426,1	1125,4	267,3	1390,0
		8	1342,3	205,4	1545,7	1287,2	223,6	1508,6	1228,9	244,9	1471,3	1167,4	269,1	1433,9
	9	1388,5	207,1	1593,5	1332,1	225,3	1555,2	1272,4	246,6	1516,6	1209,5	270,9	1477,7	
	10	1434,7	208,7	1641,3	1377,0	227,0	1601,7	1315,9	248,4	1561,8	1251,6	272,8	1521,6	
	11	1480,9	210,3	1689,1	1421,9	228,7	1648,3	1359,4	250,1	1607,0	1293,6	274,6	1565,5	
	12	1531,2	212,0	1741,1	1470,8	230,4	1698,9	1406,9	251,9	1656,3	1339,7	276,4	1613,3	
	13	1581,4	213,7	1793,0	1519,7	232,1	1749,5	1454,4	253,7	1705,6	1385,7	278,3	1661,2	
	14	1631,7	215,4	1845,0	1568,6	233,9	1800,1	1501,9	255,5	1754,8	1431,7	280,2	1709,0	
	15	1682,0	217,1	1896,9	1617,5	235,6	1850,8	1549,4	257,3	1804,1	1477,7	282,0	1756,9	
	1400	5	1336,3	228,3	1562,3	1279,0	252,4	1528,9	1218,2	277,2	1492,6	1153,9	303,2	1454,0
		6	1384,5	229,8	1612,0	1325,8	254,2	1577,4	1263,5	279,1	1539,9	1197,7	305,3	1500,0
		7	1432,7	231,3	1661,7	1372,6	255,9	1626,0	1308,9	281,1	1587,1	1241,5	307,5	1545,9
		8	1484,4	232,9	1714,9	1422,9	257,7	1678,0	1357,6	283,1	1637,9	1288,6	309,8	1595,3
9		1536,1	234,4	1768,2	1473,1	259,5	1730,0	1406,3	285,2	1688,6	1335,8	312,1	1644,7	
10		1587,7	236,0	1821,4	1523,3	261,4	1782,1	1455,0	287,2	1739,4	1382,9	314,3	1694,1	
11		1639,4	237,6	1874,6	1573,5	263,2	1834,1	1503,7	289,3	1790,1	1430,0	316,6	1743,5	
12		1695,7	239,3	1932,6	1628,3	265,2	1890,8	1556,9	291,5	1845,5	1481,6	319,1	1797,5	
13		1752,0	241,0	1990,6	1683,1	267,1	1947,6	1610,2	293,7	1901,0	1533,2	321,6	1851,6	
14		1808,3	242,7	2048,6	1737,9	269,1	2004,3	1663,4	296,0	1956,4	1584,8	324,0	1905,6	
15		1864,6	244,4	2106,6	1792,7	271,1	2061,1	1716,6	298,2	2011,8	1636,4	326,5	1959,6	
1550		5	1446,1	244,1	1687,8	1384,5	269,6	1651,4	1319,3	296,3	1612,7	1250,8	324,9	1572,5
		6	1498,0	245,3	1740,8	1434,9	271,3	1703,4	1368,1	298,4	1663,6	1298,0	327,3	1622,1
		7	1549,8	246,5	1793,8	1485,2	273,0	1755,5	1417,0	300,5	1714,5	1345,1	329,8	1671,6
		8	1605,2	247,5	1850,3	1539,2	274,6	1811,0	1469,3	302,6	1768,9	1395,7	332,3	1724,7
	9	1660,7	248,6	1906,8	1593,1	276,2	1866,6	1521,6	304,7	1823,3	1446,4	334,7	1777,8	
	10	1716,1	249,7	1963,3	1647,1	277,8	1922,1	1574,0	306,8	1877,7	1497,0	337,2	1830,8	
	11	1771,5	250,7	2019,8	1701,0	279,5	1977,6	1626,3	308,9	1932,1	1547,6	339,7	1883,9	
	12	1831,8	251,6	2080,9	1759,7	281,0	2037,8	1683,3	311,0	1991,2	1602,8	342,3	1941,7	
	13	1892,0	252,5	2142,0	1818,4	282,5	2098,0	1740,3	313,1	2050,3	1658,1	344,8	1999,5	
	14	1952,2	253,4	2203,1	1877,0	284,0	2158,2	1797,4	315,1	2109,4	1713,3	347,4	2057,3	
	15	2012,5	254,2	2264,2	1935,7	285,5	2218,4	1854,4	317,2	2168,4	1768,6	350,0	2115,1	

Cooling Capacities - SYSCREW WATER EVO RC R134a - STD / S Version (continue)

Model	LWT °C	Condensing Temperature									
		49			54			59			
		P _{COOL}	P _{ABS}	P _{REJ}	P _{COOL}	P _{ABS}	P _{REJ}	P _{COOL}	P _{ABS}	P _{REJ}	
		kW	kW	kW	kW	kW	kW	kW	kW	kW	
1130	5	876,5	257,4	1131,3	820,2	283,7	1101,1	761,6	312,6	1071,1	
	6	910,2	259,1	1166,7	852,6	285,5	1135,3	792,5	314,5	1103,9	
	7	944,0	260,8	1202,2	884,9	287,3	1169,4	823,4	316,5	1136,7	
	8	980,4	262,5	1240,2	919,9	289,2	1206,2	856,8	318,4	1172,1	
	9	1016,7	264,2	1278,3	954,8	291,0	1242,9	890,2	320,4	1207,4	
	10	1053,1	265,9	1316,4	989,7	292,8	1279,6	923,6	322,4	1242,8	
	11	1089,5	267,7	1354,5	1024,6	294,7	1316,4	957,0	324,3	1278,1	
	12	1129,4	269,4	1396,2	1063,1	296,5	1356,6	993,9	326,3	1316,9	
	13	1169,4	271,2	1437,9	1101,5	298,4	1396,9	1030,8	328,3	1355,8	
	14	1209,3	272,9	1479,5	1140,0	300,2	1437,2	1067,6	330,2	1394,6	
	15	1249,3	274,7	1521,2	1178,4	302,1	1477,5	1104,5	332,2	1433,4	
	1220	5	936,5	274,0	1209,1	876,6	302,1	1177,1	814,2	332,8	1145,3
		6	972,5	275,8	1246,8	911,1	304,0	1213,5	847,1	334,9	1180,3
		7	1008,4	277,6	1284,5	945,5	305,9	1249,9	880,0	336,9	1215,2
		8	1047,1	279,4	1325,0	982,7	307,8	1289,0	915,6	339,0	1252,8
9		1085,7	281,3	1365,5	1019,8	309,8	1328,0	951,1	341,1	1290,5	
10		1124,4	283,1	1406,0	1057,0	311,7	1367,1	986,7	343,2	1328,1	
11		1163,1	284,9	1446,5	1094,1	313,7	1406,2	1022,2	345,3	1365,7	
12		1205,5	286,8	1490,8	1135,0	315,6	1449,0	1061,4	347,4	1407,0	
13		1247,9	288,6	1535,1	1175,9	317,6	1491,8	1100,6	349,4	1448,3	
14		1290,4	290,5	1579,4	1216,7	319,6	1534,6	1139,9	351,5	1489,6	
15		1332,8	292,3	1623,6	1257,6	321,5	1577,4	1179,1	353,6	1530,9	
1280		5	986,9	290,6	1274,6	924,0	320,4	1241,2	858,5	353,0	1207,9
		6	1024,6	292,5	1314,2	960,2	322,4	1279,4	893,0	355,2	1244,7
		7	1062,3	294,4	1353,8	996,4	324,4	1317,6	927,6	357,4	1281,4
		8	1102,9	296,3	1396,3	1035,4	326,5	1358,6	964,9	359,6	1320,9
	9	1143,5	298,2	1438,7	1074,4	328,5	1399,6	1002,2	361,8	1360,4	
	10	1184,0	300,2	1481,2	1113,3	330,6	1440,6	1039,6	364,0	1399,9	
	11	1224,6	302,1	1523,7	1152,3	332,6	1481,6	1076,9	366,2	1439,4	
	12	1269,0	304,1	1570,1	1195,1	334,7	1526,5	1118,0	368,4	1482,7	
	13	1313,5	306,0	1616,4	1237,9	336,8	1571,4	1159,1	370,6	1526,0	
	14	1357,9	308,0	1662,8	1280,8	338,9	1616,2	1200,2	372,8	1569,3	
	15	1402,4	309,9	1709,2	1323,6	340,9	1661,1	1241,3	375,0	1612,6	
	1400	5	1086,1	331,2	1414,0	1014,9	362,1	1373,3	940,2	396,3	1332,6
		6	1128,3	333,6	1458,6	1055,4	364,6	1416,3	979,0	399,0	1374,0
		7	1170,5	335,9	1503,1	1096,0	367,1	1459,4	1017,9	401,7	1415,5
		8	1216,0	338,4	1551,1	1139,7	369,8	1505,8	1059,8	404,5	1460,3
9		1261,5	340,9	1599,0	1183,5	372,4	1552,2	1101,8	407,3	1505,1	
10		1307,0	343,4	1646,9	1227,3	375,1	1598,6	1143,8	410,2	1549,9	
11		1352,4	345,9	1694,9	1271,0	377,8	1645,0	1185,8	413,0	1594,7	
12		1402,4	348,6	1747,5	1319,2	380,7	1696,1	1232,1	416,1	1644,1	
13		1452,3	351,3	1800,0	1367,4	383,6	1747,1	1278,4	419,2	1693,5	
14		1502,2	354,0	1852,6	1415,5	386,5	1798,1	1324,8	422,3	1742,9	
15		1552,1	356,6	1905,2	1463,7	389,4	1849,2	1371,1	425,4	1792,3	
1550		5	1179,2	355,9	1531,5	1104,5	390,0	1490,6	1027,1	427,6	1450,4
		6	1224,5	358,6	1579,5	1148,0	392,8	1536,8	1068,5	430,4	1494,6
		7	1269,9	361,2	1627,5	1191,4	395,6	1583,1	1109,9	433,3	1538,9
		8	1318,7	364,0	1679,1	1238,2	398,6	1632,9	1154,6	436,5	1586,7
	9	1367,4	366,9	1730,6	1285,0	401,6	1682,7	1199,3	439,7	1634,6	
	10	1416,2	369,7	1782,2	1331,8	404,7	1732,5	1244,0	442,8	1682,4	
	11	1465,0	372,5	1833,7	1378,6	407,7	1782,3	1288,7	446,0	1730,3	
	12	1518,3	375,4	1890,0	1430,0	411,0	1836,9	1337,9	449,6	1783,0	
	13	1571,7	378,4	1946,3	1481,4	414,3	1891,5	1387,2	453,1	1835,7	
	14	1625,1	381,4	2002,6	1532,7	417,6	1946,1	1436,4	456,6	1888,5	
	15	1678,5	384,3	2058,9	1584,1	420,9	2000,8	1485,6	460,2	1941,2	

Cooling Capacities - SYSREW WATER EVO RC R513A - STD / S Version

Model	LWT °C	Condensing Temperature												
		29			34			39			44			
		P _{COOL}	P _{ABS}	P _{REJ}	P _{COOL}	P _{ABS}	P _{REJ}	P _{COOL}	P _{ABS}	P _{REJ}	P _{COOL}	P _{ABS}	P _{REJ}	
		kW	kW	kW	kW	kW	kW	kW	kW	kW	kW	kW	kW	
440	5	429,0	71,0	502,1	407,3	76,5	486,1	384,1	83,6	470,3	359,5	92,2	454,5	
	6	444,2	71,4	517,8	422,0	76,9	501,2	398,3	84,1	484,9	373,1	92,7	468,6	
	7	459,5	71,8	533,4	436,7	77,3	516,4	412,5	84,5	499,5	386,7	93,2	482,6	
	8	475,6	72,2	550,0	452,4	77,8	532,5	427,6	85,0	515,1	401,2	93,7	497,7	
	9	491,7	72,6	566,5	468,0	78,2	548,6	442,7	85,4	530,7	415,7	94,2	512,7	
	10	507,9	73,0	583,1	483,7	78,6	564,7	457,8	85,9	546,3	430,2	94,7	527,7	
	11	524,0	73,4	599,6	499,3	79,0	580,8	472,9	86,3	561,8	444,7	95,1	542,7	
	12	541,0	73,9	617,1	516,0	79,5	597,9	489,2	86,8	578,6	460,5	95,7	559,0	
	13	558,0	74,3	634,5	532,7	79,9	615,0	505,4	87,3	595,3	476,2	96,2	575,2	
	14	575,0	74,7	651,9	549,4	80,3	632,2	521,7	87,7	612,0	491,9	96,7	591,5	
	15	592,0	75,1	669,3	566,1	80,8	649,3	537,9	88,2	628,8	507,6	97,2	607,7	
	490	5	480,0	79,0	561,4	457,6	86,9	547,1	432,6	95,2	530,7	405,5	104,3	513,0
		6	497,0	79,6	579,0	474,1	87,5	564,2	448,5	95,9	547,3	420,8	105,0	528,9
		7	514,1	80,2	596,7	490,6	88,1	581,4	464,4	96,5	563,9	436,0	105,7	544,9
		8	532,1	80,8	615,3	508,1	88,8	599,5	481,4	97,3	581,6	452,3	106,5	562,0
9		550,0	81,4	633,9	525,6	89,5	617,7	498,3	98,0	599,3	468,6	107,3	579,1	
10		568,0	82,1	652,5	543,1	90,2	635,9	515,2	98,8	617,0	484,9	108,1	596,2	
11		585,9	82,7	671,1	560,5	90,9	654,1	532,1	99,5	634,6	501,2	108,9	613,4	
12		604,3	83,4	690,2	578,9	91,7	673,3	550,2	100,4	653,6	518,7	109,9	631,9	
13		622,7	84,2	709,4	597,2	92,5	692,4	568,2	101,3	672,5	536,3	110,8	650,4	
14		641,0	84,9	728,5	615,5	93,3	711,6	586,2	102,2	691,4	553,8	111,8	668,9	
15		659,4	85,6	747,6	633,8	94,1	730,7	604,2	103,1	710,3	571,3	112,7	687,4	
570		5	553,9	92,2	648,9	527,8	101,4	632,3	500,4	111,6	615,3	471,5	122,7	597,8
		6	572,6	92,8	668,1	546,0	102,0	651,1	518,0	112,3	633,7	488,5	123,5	615,6
		7	591,2	93,3	687,3	564,2	102,7	669,9	535,6	113,0	652,0	505,4	124,3	633,5
		8	610,5	93,8	707,2	583,2	103,3	689,6	554,2	113,7	671,3	523,4	125,1	652,3
	9	629,8	94,3	727,0	602,2	103,9	709,2	572,7	114,5	690,6	541,4	126,0	671,2	
	10	649,1	94,9	746,8	621,2	104,6	728,9	591,3	115,2	709,9	559,4	126,8	690,1	
	11	668,4	95,4	766,7	640,1	105,2	748,5	609,8	116,0	729,2	577,4	127,7	708,9	
	12	684,9	95,8	783,6	659,1	105,8	768,1	629,0	116,7	749,2	596,5	128,5	728,9	
	13	701,4	96,3	800,6	678,0	106,5	787,7	648,2	117,5	769,2	615,5	129,4	748,8	
	14	717,9	96,8	817,5	696,9	107,1	807,3	667,4	118,3	789,2	634,5	130,3	768,7	
	15	734,4	97,2	834,5	715,9	107,8	826,9	686,6	119,0	809,2	653,5	131,2	788,7	
	630	5	623,5	102,8	729,3	595,3	113,0	711,8	565,5	124,4	693,6	533,7	136,9	674,7
		6	643,5	103,3	749,9	615,2	113,6	732,3	584,9	125,1	713,8	552,6	137,7	694,5
		7	663,6	103,8	770,5	635,1	114,3	752,7	604,4	125,8	734,0	571,5	138,5	714,2
		8	681,4	104,2	788,7	654,7	114,8	773,0	624,3	126,6	754,6	591,3	139,4	734,8
9		699,2	104,6	806,9	674,4	115,4	793,3	644,2	127,3	775,3	611,0	140,2	755,4	
10		716,9	105,0	825,1	694,1	116,0	813,6	664,2	128,0	796,0	630,7	141,0	776,0	
11		734,7	105,4	843,3	713,8	116,6	833,9	684,1	128,7	816,6	650,4	141,9	796,5	
12		759,8	106,0	869,0	734,0	117,2	854,7	701,2	129,3	834,4	669,5	142,6	816,4	
13		785,0	106,6	894,8	754,2	117,7	875,5	718,3	129,9	852,1	688,6	143,4	836,3	
14		810,1	107,2	920,6	774,4	118,3	896,3	735,5	130,5	869,8	707,6	144,2	856,2	
15		835,3	107,8	946,3	794,7	118,9	917,1	752,6	131,1	887,6	726,7	145,0	876,0	
700		5	688,9	114,0	806,3	654,6	126,0	784,4	619,6	138,5	762,2	583,4	151,7	739,6
		6	713,2	114,3	830,9	678,1	126,7	808,5	642,1	139,4	785,7	605,0	152,8	762,3
		7	737,4	114,7	855,5	701,5	127,3	832,6	664,7	140,3	809,1	626,6	153,9	785,1
		8	763,1	115,0	881,5	726,4	128,0	858,2	688,7	141,2	834,1	649,8	155,0	809,4
	9	788,7	115,3	907,5	751,3	128,6	883,7	712,7	142,1	859,1	672,9	156,2	833,8	
	10	814,4	115,7	933,5	776,1	129,3	909,3	736,8	143,1	884,1	696,0	157,4	858,1	
	11	840,1	116,0	959,5	801,0	129,9	934,8	760,8	144,0	909,1	719,2	158,5	882,5	
	12	867,2	116,3	987,0	827,6	130,6	962,1	786,7	145,0	936,0	744,2	159,8	908,8	
	13	894,3	116,6	1014,4	854,1	131,2	989,3	812,5	146,0	962,8	769,2	161,1	935,1	
	14	921,4	116,8	1041,8	880,7	131,8	1016,5	838,4	146,9	989,7	794,2	162,4	961,5	
	15	948,6	117,1	1069,2	907,3	132,5	1043,7	864,2	147,9	1016,5	819,3	163,6	987,8	

Cooling Capacities - SYSCREW WATER EVO RC R513A - STD / S Version (continue)

Model	LWT °C	Condensing Temperature									
		49			54			59			
		P _{COOL}	P _{ABS}	P _{REJ}	P _{COOL}	P _{ABS}	P _{REJ}	P _{COOL}	P _{ABS}	P _{REJ}	
		kW	kW	kW	kW	kW	kW	kW	kW	kW	
440	5	333,4	102,1	438,5	305,9	112,9	422,2	276,9	124,7	405,3	
	6	346,4	102,6	452,0	318,1	113,5	435,1	288,4	125,3	417,5	
	7	359,3	103,1	465,5	330,4	114,1	447,9	299,9	126,0	429,7	
	8	373,2	103,6	479,9	343,5	114,7	461,7	312,3	126,7	442,8	
	9	387,0	104,2	494,3	356,7	115,3	475,5	324,7	127,4	455,9	
	10	400,9	104,7	508,8	369,9	115,9	489,3	337,2	128,0	469,1	
	11	414,8	105,3	523,2	383,1	116,5	503,1	349,6	128,7	482,2	
	12	429,9	105,8	538,9	397,5	117,2	518,2	363,3	129,4	496,6	
	13	445,0	106,4	554,6	411,9	117,8	533,2	376,9	130,1	511,0	
	14	460,1	107,0	570,3	426,3	118,4	548,3	390,6	130,9	525,4	
	15	475,2	107,5	586,0	440,7	119,1	563,4	404,3	131,6	539,8	
	490	5	376,9	114,2	494,6	347,3	125,2	476,3	317,2	137,5	458,8
		6	391,4	115,0	509,8	361,0	126,0	490,8	330,0	138,3	472,5
		7	405,9	115,7	525,1	374,7	126,8	505,3	342,9	139,1	486,2
		8	421,5	116,6	541,6	389,5	127,7	521,0	356,8	140,1	501,1
9		437,1	117,4	558,1	404,3	128,6	536,8	370,7	141,1	516,0	
10		452,7	118,3	574,5	419,1	129,6	552,5	384,6	142,1	530,9	
11		468,3	119,2	591,0	433,8	130,5	568,2	398,5	143,0	545,8	
12		485,2	120,2	609,0	450,0	131,6	585,5	413,8	144,2	562,3	
13		502,1	121,2	626,9	466,2	132,7	602,9	429,1	145,4	578,9	
14		519,0	122,3	644,9	482,3	133,8	620,2	444,4	146,6	595,4	
15		535,9	123,3	662,9	498,5	134,9	637,5	459,7	147,8	612,0	
570		5	440,9	134,8	579,7	408,5	147,8	560,8	374,3	161,9	541,1
		6	457,2	135,7	596,9	424,1	148,8	577,4	389,1	162,9	557,0
		7	473,5	136,6	614,2	439,7	149,8	594,0	404,0	164,0	572,9
		8	490,9	137,5	632,5	456,4	150,8	611,8	420,0	165,1	590,0
	9	508,3	138,4	650,9	473,1	151,8	629,5	435,9	166,2	607,1	
	10	525,7	139,4	669,2	489,8	152,9	647,3	451,9	167,3	624,2	
	11	543,0	140,3	687,5	506,5	153,9	665,0	467,8	168,4	641,3	
	12	561,7	141,3	707,2	524,6	155,0	684,2	485,2	169,6	659,9	
	13	580,3	142,3	726,8	542,6	156,1	703,4	502,6	170,8	678,5	
	14	598,9	143,3	746,5	560,7	157,2	722,6	520,0	172,0	697,1	
	15	617,5	144,3	766,1	578,8	158,3	741,8	537,4	173,2	715,8	
	630	5	500,0	150,5	655,0	464,1	165,3	634,3	426,0	181,1	612,6
		6	518,2	151,4	674,2	481,7	166,3	652,9	442,8	182,2	630,5
		7	536,5	152,4	693,5	499,2	167,3	671,5	459,6	183,3	648,4
		8	555,8	153,3	713,7	517,9	168,3	691,3	477,6	184,5	667,5
9		575,1	154,2	733,9	536,6	169,4	711,1	495,5	185,6	686,7	
10		594,4	155,2	754,2	555,3	170,4	730,8	513,5	186,7	705,8	
11		613,6	156,1	774,4	574,0	171,4	750,6	531,5	187,9	725,0	
12		633,6	157,1	795,3	593,8	172,5	771,5	550,9	189,1	745,6	
13		653,5	158,0	816,2	613,6	173,6	792,4	570,2	190,3	766,2	
14		673,4	159,0	837,1	633,4	174,7	813,4	589,6	191,5	786,8	
15		693,3	159,9	858,0	653,3	175,8	834,3	609,0	192,6	807,4	
700		5	545,8	165,8	716,6	506,4	181,3	693,1	465,0	198,3	669,2
		6	566,4	167,1	738,5	526,1	182,6	714,2	483,6	199,7	689,2
		7	587,1	168,3	760,5	545,7	184,0	735,2	502,2	201,1	709,3
		8	609,3	169,7	784,0	566,9	185,5	758,0	522,4	202,7	731,1
	9	631,4	171,1	807,6	588,1	187,0	780,7	542,5	204,3	752,9	
	10	653,6	172,4	831,2	609,2	188,5	803,4	562,6	206,0	774,7	
	11	675,8	173,8	854,8	630,4	190,1	826,2	582,7	207,6	796,5	
	12	699,9	175,3	880,5	653,6	191,8	851,1	604,8	209,5	820,6	
	13	724,0	176,9	906,2	676,7	193,6	876,1	626,9	211,4	844,7	
	14	748,2	178,4	931,9	699,8	195,3	901,0	649,0	213,4	868,8	
	15	772,3	179,9	957,6	723,0	197,1	926,0	671,1	215,3	892,9	

Cooling Capacities - SYSREW WATER EVO RC R513A - STD / S Version (continue)

Model	LWT °C	Condensing Temperature												
		29			34			39			44			
		P _{COOL}	P _{ABS}	P _{REJ}	P _{COOL}	P _{ABS}	P _{REJ}	P _{COOL}	P _{ABS}	P _{REJ}	P _{COOL}	P _{ABS}	P _{REJ}	
		kW	kW	kW	kW	kW	kW	kW	kW	kW	kW	kW	kW	
770	5	748,6	123,8	876,2	711,8	136,4	852,3	674,1	150,1	828,7	635,0	165,1	805,0	
	6	774,6	124,4	902,7	737,0	137,1	878,2	698,4	151,0	853,9	658,4	166,1	829,5	
	7	800,7	124,9	929,3	762,2	137,8	904,2	722,7	151,9	879,1	681,7	167,2	853,9	
	8	827,9	125,4	957,1	788,8	138,5	931,5	748,5	152,8	905,9	706,6	168,3	880,0	
	9	855,2	126,0	985,0	815,4	139,3	958,9	774,3	153,7	932,6	731,5	169,4	906,0	
	10	882,5	126,5	1012,8	842,0	140,0	986,2	800,1	154,7	959,4	756,5	170,5	932,1	
	11	909,8	127,0	1040,6	868,6	140,7	1013,6	825,9	155,6	986,1	781,4	171,6	958,1	
	12	937,8	127,5	1069,1	896,5	141,5	1042,2	853,3	156,5	1014,5	808,1	172,8	986,0	
	13	965,8	128,0	1097,6	924,4	142,2	1070,8	880,7	157,5	1042,9	834,8	173,9	1014,0	
	14	993,7	128,5	1126,1	952,2	142,9	1099,4	908,1	158,5	1071,3	861,5	175,1	1041,9	
	15	1021,7	129,0	1154,6	980,1	143,7	1128,1	935,5	159,4	1099,7	888,3	176,3	1069,9	
	860	5	847,7	141,8	993,7	804,7	152,7	962,1	758,9	167,0	930,9	710,2	184,1	899,8
		6	877,9	142,6	1024,7	833,9	153,6	992,1	787,0	167,9	959,9	737,1	185,1	927,7
		7	908,1	143,4	1055,7	863,1	154,4	1022,1	815,1	168,7	988,9	764,0	186,0	955,6
		8	940,0	144,2	1088,5	894,1	155,2	1054,0	845,0	169,6	1019,7	792,7	187,0	985,3
9		971,9	145,0	1121,3	925,1	156,1	1085,8	874,9	170,5	1050,6	821,5	188,0	1015,1	
10		1003,9	145,8	1154,0	956,1	156,9	1117,7	904,8	171,4	1081,4	850,2	189,0	1044,9	
11		1035,8	146,6	1186,8	987,1	157,8	1149,6	934,8	172,3	1112,3	879,0	189,9	1074,6	
12		1069,4	147,4	1221,3	1020,1	158,6	1183,5	967,0	173,3	1145,4	910,1	191,0	1106,8	
13		1103,1	148,2	1255,7	1053,1	159,5	1217,4	999,1	174,2	1178,6	941,2	192,0	1139,0	
14		1136,7	149,0	1290,2	1086,2	160,3	1251,3	1031,3	175,1	1211,7	972,4	193,0	1171,1	
15		1170,4	149,8	1324,7	1119,2	161,2	1285,2	1063,5	176,0	1244,8	1003,5	194,0	1203,3	
920		5	901,9	149,7	1056,1	858,1	163,1	1026,1	810,2	178,6	994,2	758,8	196,3	961,0
		6	934,0	150,7	1089,2	889,2	164,1	1058,2	840,2	179,7	1025,3	787,5	197,4	990,9
		7	966,1	151,6	1122,3	920,3	165,1	1090,4	870,2	180,8	1056,4	816,2	198,6	1020,8
		8	999,9	152,7	1157,2	953,2	166,3	1124,5	902,0	182,0	1089,5	846,9	199,9	1052,8
	9	1033,7	153,7	1192,1	986,1	167,4	1158,5	933,9	183,2	1122,6	877,6	201,2	1084,8	
	10	1067,6	154,8	1227,0	1019,1	168,5	1192,6	965,8	184,4	1155,7	908,3	202,5	1116,8	
	11	1101,4	155,8	1261,9	1052,0	169,6	1226,7	997,7	185,6	1188,8	938,9	203,8	1148,8	
	12	1135,9	156,9	1297,6	1086,5	170,8	1262,5	1031,6	186,9	1224,2	972,0	205,3	1183,4	
	13	1170,5	158,0	1333,3	1121,1	172,0	1298,3	1065,6	188,3	1259,5	1005,0	206,7	1217,9	
	14	1205,0	159,1	1368,9	1155,6	173,3	1334,1	1099,6	189,6	1294,9	1038,0	208,2	1252,5	
	15	1239,6	160,2	1404,6	1190,2	174,5	1369,9	1133,5	191,0	1330,3	1071,1	209,7	1287,1	
	990	5	969,3	158,4	1132,4	923,6	174,0	1102,9	872,6	190,7	1069,1	817,3	208,9	1032,5
		6	1004,1	159,5	1168,4	957,3	175,3	1137,9	905,1	192,1	1102,9	848,5	210,3	1065,0
		7	1038,8	160,7	1204,3	991,0	176,5	1172,8	937,5	193,4	1136,8	879,6	211,7	1097,6
		8	1074,9	162,0	1241,7	1026,4	177,9	1209,7	972,0	194,9	1172,8	912,8	213,4	1132,5
9		1110,9	163,3	1279,0	1061,8	179,4	1246,6	1006,5	196,5	1208,8	946,0	215,0	1167,5	
10		1146,9	164,6	1316,4	1097,3	180,8	1283,5	1040,9	198,0	1244,9	979,3	216,7	1202,4	
11		1182,9	165,9	1353,7	1132,7	182,2	1320,3	1075,4	199,6	1280,9	1012,5	218,3	1237,3	
12		1219,3	167,3	1391,6	1165,5	183,6	1354,6	1110,9	201,3	1318,2	1047,9	220,3	1274,8	
13		1255,7	168,8	1429,5	1198,2	185,1	1388,9	1146,4	203,1	1355,6	1083,3	222,2	1312,2	
14		1292,1	170,2	1467,4	1231,0	186,5	1423,1	1181,9	204,8	1392,9	1118,7	224,2	1349,6	
15		1328,5	171,6	1505,3	1263,8	188,0	1457,4	1217,4	206,6	1430,2	1154,0	226,1	1387,0	
1070		5	1045,9	171,6	1222,6	996,0	188,6	1190,2	942,1	207,1	1155,4	884,6	227,2	1118,6
		6	1082,4	172,7	1260,3	1031,6	189,8	1227,1	976,5	208,5	1191,2	917,7	228,8	1153,3
		7	1119,0	173,8	1298,0	1067,2	191,1	1264,0	1011,0	209,9	1227,1	950,8	230,3	1188,0
		8	1155,2	174,9	1335,4	1104,1	192,4	1302,3	1047,2	211,4	1264,9	986,0	232,0	1224,9
	9	1191,4	176,1	1372,8	1141,0	193,8	1340,6	1083,5	212,9	1302,8	1021,1	233,7	1261,8	
	10	1227,6	177,2	1410,1	1177,9	195,1	1378,8	1119,8	214,4	1340,6	1056,3	235,4	1298,7	
	11	1263,8	178,3	1447,5	1214,7	196,5	1417,1	1156,0	216,0	1378,5	1091,5	237,0	1335,7	
	12	1307,9	179,8	1493,0	1253,5	198,0	1457,4	1190,8	217,5	1414,8	1128,1	238,9	1374,2	
	13	1351,9	181,2	1538,6	1292,2	199,5	1497,6	1225,6	219,0	1451,2	1164,7	240,7	1412,7	
	14	1395,9	182,7	1584,1	1330,9	200,9	1537,9	1260,4	220,6	1487,6	1201,3	242,6	1451,1	
	15	1440,0	184,2	1629,7	1369,6	202,4	1578,1	1295,2	222,1	1523,9	1237,8	244,4	1489,6	

Cooling Capacities - SYSCREW WATER EVO RC R513A - STD / S Version (continue)

Model	LWT °C	Condensing Temperature									
		49			54			59			
		P _{COOL}	P _{ABS}	P _{REJ}	P _{COOL}	P _{ABS}	P _{REJ}	P _{COOL}	P _{ABS}	P _{REJ}	
		kW	kW	kW	kW	kW	kW	kW	kW	kW	
770	5	594,3	181,3	781,1	551,7	198,8	756,5	506,8	217,6	730,9	
	6	616,7	182,5	804,6	573,0	200,1	779,1	527,0	219,1	752,6	
	7	639,1	183,7	828,2	594,3	201,4	801,8	547,2	220,5	774,3	
	8	663,0	185,0	853,5	617,2	202,9	826,2	569,0	222,1	797,8	
	9	686,9	186,2	878,7	640,1	204,3	850,6	590,8	223,7	821,2	
	10	710,9	187,5	904,0	663,0	205,8	875,0	612,6	225,2	844,6	
	11	734,8	188,8	929,3	685,9	207,2	899,3	634,4	226,8	868,1	
	12	760,7	190,2	956,6	710,9	208,8	925,9	658,3	228,6	893,8	
	13	786,6	191,6	983,9	735,8	210,3	952,5	682,2	230,3	919,5	
	14	812,5	192,9	1011,2	760,8	211,9	979,0	706,1	232,1	945,2	
	15	838,4	194,3	1038,5	785,7	213,5	1005,6	730,0	233,9	970,9	
	860	5	658,5	203,8	868,4	604,0	225,5	836,3	546,6	248,9	803,0
		6	684,2	204,8	895,1	628,3	226,7	861,7	569,4	250,2	827,1
		7	709,8	205,9	921,8	652,5	227,8	887,2	592,2	251,6	851,3
		8	737,2	206,9	950,4	678,6	229,0	914,5	616,8	252,9	877,3
9		764,7	208,0	979,0	704,7	230,2	941,8	641,4	254,3	903,3	
10		792,2	209,1	1007,6	730,8	231,5	969,2	666,0	255,6	929,3	
11		819,7	210,2	1036,1	756,8	232,7	996,5	690,5	257,0	955,3	
12		849,6	211,3	1067,2	785,4	233,9	1026,3	717,6	258,4	983,8	
13		879,5	212,4	1098,3	814,0	235,2	1056,2	744,7	259,8	1012,3	
14		909,4	213,5	1129,3	842,5	236,4	1086,0	771,8	261,2	1040,8	
15		939,3	214,7	1160,4	871,1	237,7	1115,9	798,8	262,6	1069,3	
920		5	704,4	216,0	926,9	647,5	237,9	892,5	588,7	261,8	858,3
		6	731,7	217,3	955,5	673,3	239,2	919,8	612,9	263,3	884,1
		7	759,1	218,6	984,2	699,2	240,6	947,0	637,1	264,8	909,9
		8	788,4	220,0	1014,9	727,0	242,1	976,4	663,4	266,4	937,8
	9	817,7	221,4	1045,7	754,8	243,7	1005,8	689,6	268,1	965,7	
	10	847,0	222,8	1076,5	782,7	245,2	1035,2	715,8	269,7	993,6	
	11	876,3	224,2	1107,2	810,5	246,7	1064,6	742,0	271,4	1021,5	
	12	908,2	225,8	1140,7	841,0	248,5	1096,9	770,8	273,3	1052,3	
	13	940,0	227,4	1174,3	871,4	250,2	1129,1	799,7	275,2	1083,1	
	14	971,9	229,0	1207,8	901,8	252,0	1161,4	828,5	277,1	1114,0	
	15	1003,8	230,6	1241,3	932,3	253,7	1193,6	857,4	279,0	1144,8	
	990	5	759,0	228,7	994,6	698,6	250,7	956,9	637,4	275,2	920,9
		6	788,6	230,2	1025,7	726,6	252,3	986,4	663,5	276,9	948,7
		7	818,2	231,7	1056,9	754,5	253,9	1016,0	689,6	278,5	976,5
		8	849,9	233,5	1090,5	784,6	255,8	1048,1	718,0	280,5	1006,9
9		881,7	235,3	1124,1	814,8	257,7	1080,2	746,3	282,5	1037,3	
10		913,5	237,0	1157,7	844,9	259,5	1112,2	774,6	284,5	1067,6	
11		945,3	238,8	1191,3	875,0	261,4	1144,3	802,9	286,5	1098,0	
12		979,7	241,0	1227,9	908,0	263,7	1179,6	834,1	289,0	1131,8	
13		1014,1	243,1	1264,5	941,0	266,0	1215,0	865,4	291,4	1165,5	
14		1048,5	245,2	1301,1	973,9	268,3	1250,3	896,6	293,9	1199,3	
15		1082,9	247,4	1337,6	1006,9	270,6	1285,6	927,8	296,3	1233,1	
1070		5	823,9	249,2	1080,6	760,5	273,3	1042,0	694,9	299,5	1003,4
		6	855,5	250,9	1113,9	790,5	275,1	1073,9	723,2	301,4	1033,7
		7	887,1	252,6	1147,3	820,5	276,9	1105,7	751,5	303,4	1063,9
		8	921,0	254,4	1183,0	852,8	278,8	1140,0	782,0	305,5	1096,7
	9	954,8	256,3	1218,7	885,1	280,8	1174,4	812,6	307,6	1129,5	
	10	988,6	258,1	1254,5	917,4	282,8	1208,7	843,2	309,7	1162,2	
	11	1022,5	259,9	1290,2	949,7	284,8	1243,1	873,8	311,9	1195,0	
	12	1058,8	262,0	1328,6	984,8	287,1	1280,5	907,4	314,3	1231,1	
	13	1095,0	264,1	1367,0	1019,9	289,4	1318,0	941,0	316,8	1267,2	
	14	1131,3	266,2	1405,4	1055,0	291,6	1355,4	974,5	319,2	1303,3	
	15	1167,6	268,3	1443,9	1090,2	293,9	1392,9	1008,1	321,7	1339,4	

Cooling Capacities - SYSREW WATER EVO RC R513A - STD / S Version (continue)

Model	LWT °C	Condensing Temperature												
		29			34			39			44			
		P _{COOL}	P _{ABS}	P _{REJ}	P _{COOL}	P _{ABS}	P _{REJ}	P _{COOL}	P _{ABS}	P _{REJ}	P _{COOL}	P _{ABS}	P _{REJ}	
		kW	kW	kW	kW	kW	kW	kW	kW	kW	kW	kW	kW	
1130	5	1111,4	184,6	1301,6	1058,9	202,9	1267,9	1003,3	223,2	1233,2	944,5	245,4	1197,3	
	6	1148,6	185,6	1339,8	1095,5	204,2	1305,8	1038,9	224,7	1270,3	979,0	247,1	1233,4	
	7	1185,9	186,7	1378,1	1132,1	205,4	1343,7	1074,6	226,1	1307,5	1013,5	248,7	1269,6	
	8	1222,7	187,7	1416,0	1166,7	206,6	1379,5	1111,4	227,6	1345,8	1049,7	250,4	1307,6	
	9	1259,6	188,7	1453,9	1201,3	207,8	1415,3	1148,2	229,1	1384,1	1086,0	252,1	1345,7	
	10	1296,5	189,7	1491,9	1236,0	208,9	1451,2	1184,9	230,5	1422,4	1122,3	253,8	1383,7	
	11	1333,4	190,7	1529,8	1270,6	210,1	1487,0	1221,7	232,0	1460,7	1158,5	255,5	1421,7	
	12	1382,5	192,0	1580,4	1316,8	211,6	1534,8	1260,8	233,6	1501,4	1193,4	257,1	1458,2	
	13	1431,7	193,4	1630,9	1363,0	213,2	1582,6	1299,9	235,1	1542,1	1228,3	258,7	1494,8	
	14	1480,9	194,8	1681,5	1409,2	214,8	1630,4	1339,0	236,7	1582,8	1263,2	260,4	1531,3	
	15	1530,1	196,1	1732,1	1455,4	216,3	1678,2	1378,1	238,3	1623,5	1298,0	262,0	1567,9	
	1220	5	1191,0	196,6	1393,5	1134,2	216,2	1356,9	1074,4	237,8	1319,3	1011,3	261,4	1280,6
		6	1231,5	197,8	1435,1	1173,8	217,5	1397,9	1112,8	239,3	1359,3	1048,4	263,2	1319,5
		7	1272,0	198,9	1476,8	1213,4	218,8	1438,8	1151,2	240,9	1399,3	1085,4	264,9	1358,3
		8	1309,5	199,9	1515,4	1253,7	220,2	1480,5	1191,4	242,5	1441,1	1124,6	266,7	1399,4
9		1347,1	200,9	1554,1	1294,0	221,5	1522,2	1231,5	244,1	1482,9	1163,8	268,6	1440,4	
10		1384,7	201,9	1592,7	1334,3	222,9	1563,9	1271,6	245,7	1524,7	1203,0	270,4	1481,5	
11		1422,3	202,9	1631,3	1374,6	224,2	1605,6	1311,8	247,3	1566,4	1242,2	272,2	1522,6	
12		1474,8	204,4	1685,3	1419,1	225,7	1651,6	1351,4	248,8	1607,7	1281,6	274,0	1563,9	
13		1527,3	205,8	1739,3	1463,6	227,2	1697,7	1391,0	250,4	1648,9	1321,0	275,8	1605,1	
14		1579,8	207,2	1793,3	1508,1	228,7	1743,7	1430,6	252,0	1690,1	1360,4	277,7	1646,4	
15		1632,3	208,7	1847,3	1552,6	230,2	1789,7	1470,2	253,5	1731,4	1399,7	279,5	1687,6	
1280		5	1259,5	208,4	1474,1	1200,6	229,1	1436,6	1138,1	252,0	1397,7	1071,9	277,1	1357,4
		6	1300,8	209,5	1516,6	1241,6	230,5	1479,0	1178,2	253,6	1439,5	1110,8	278,9	1398,1
		7	1342,1	210,6	1559,1	1282,7	231,9	1521,5	1218,4	255,2	1481,3	1149,7	280,8	1438,9
		8	1384,8	211,8	1603,0	1321,3	233,2	1561,5	1259,0	256,9	1523,6	1190,4	282,7	1481,5
	9	1427,6	212,9	1646,9	1360,0	234,4	1601,5	1299,7	258,5	1565,9	1231,0	284,5	1524,1	
	10	1470,3	214,1	1690,8	1398,7	235,7	1641,4	1340,4	260,1	1608,3	1271,7	286,4	1566,7	
	11	1513,0	215,3	1734,7	1437,3	237,0	1681,4	1381,1	261,7	1650,6	1312,3	288,3	1609,3	
	12	1568,9	216,8	1792,1	1490,9	238,8	1736,9	1426,8	263,5	1698,2	1352,6	290,2	1651,4	
	13	1624,7	218,3	1849,6	1544,5	240,6	1792,3	1472,6	265,3	1745,8	1392,8	292,0	1693,6	
	14	1680,6	219,8	1907,0	1598,1	242,3	1847,7	1518,4	267,1	1793,5	1433,1	293,9	1735,7	
	15	1736,5	221,3	1964,4	1651,8	244,1	1903,2	1564,1	268,9	1841,1	1473,3	295,7	1777,9	
	1400	5	1381,4	226,0	1614,2	1314,3	250,2	1572,0	1245,5	275,2	1528,9	1174,3	301,5	1484,9
		6	1428,9	226,6	1662,3	1360,4	251,4	1619,3	1290,0	276,8	1575,1	1217,2	303,6	1529,9
		7	1476,4	227,2	1710,5	1406,5	252,5	1666,6	1334,5	278,5	1621,3	1260,0	305,7	1574,8
		8	1526,2	227,7	1760,8	1455,1	253,7	1716,3	1381,7	280,2	1670,3	1305,6	307,8	1622,6
9		1576,0	228,2	1811,1	1503,7	254,8	1766,1	1428,9	281,9	1719,2	1351,2	310,0	1670,5	
10		1625,9	228,7	1861,4	1552,2	255,9	1815,8	1476,0	283,6	1768,1	1396,8	312,2	1718,3	
11		1675,7	229,2	1911,7	1600,8	257,0	1865,6	1523,2	285,2	1817,0	1442,4	314,4	1766,2	
12		1726,8	229,5	1963,2	1651,7	258,1	1917,5	1573,2	287,0	1868,8	1491,2	316,7	1817,4	
13		1777,9	229,9	2014,7	1702,5	259,1	1969,5	1623,3	288,7	1920,6	1540,0	319,0	1868,6	
14		1829,1	230,3	2066,2	1753,4	260,2	2021,4	1673,3	290,4	1972,4	1588,9	321,3	1919,8	
15		1880,2	230,6	2117,7	1804,3	261,3	2073,3	1723,3	292,1	2024,2	1637,7	323,6	1971,0	
1550		5	1492,4	247,5	1747,3	1420,9	272,6	1701,7	1347,2	300,1	1656,4	1270,7	330,1	1610,8
		6	1542,6	248,6	1798,7	1469,8	274,0	1752,1	1394,6	301,9	1705,6	1316,5	332,2	1658,6
		7	1592,8	249,6	1850,0	1518,7	275,4	1802,4	1442,0	303,6	1754,8	1362,2	334,3	1706,5
		8	1644,7	250,7	1902,8	1569,7	276,9	1854,9	1491,8	305,4	1806,4	1410,6	336,4	1757,1
	9	1696,5	251,7	1955,7	1620,7	278,3	1907,3	1541,7	307,2	1858,1	1459,0	338,6	1807,7	
	10	1748,3	252,7	2008,5	1671,7	279,7	1959,8	1591,5	309,0	1909,8	1507,3	340,7	1858,3	
	11	1800,1	253,7	2061,4	1722,7	281,1	2012,2	1641,3	310,8	1961,4	1555,7	342,9	1908,9	
	12	1849,2	254,6	2111,4	1774,1	282,4	2065,0	1693,0	312,6	2015,0	1606,8	345,1	1962,3	
	13	1898,3	255,4	2161,5	1825,4	283,8	2117,7	1744,6	314,4	2068,5	1657,8	347,4	2015,6	
	14	1947,5	256,3	2211,5	1876,7	285,1	2170,4	1796,3	316,2	2122,0	1708,9	349,6	2069,0	
	15	1996,6	257,2	2261,5	1928,1	286,5	2223,2	1847,9	318,0	2175,5	1759,9	351,9	2122,4	

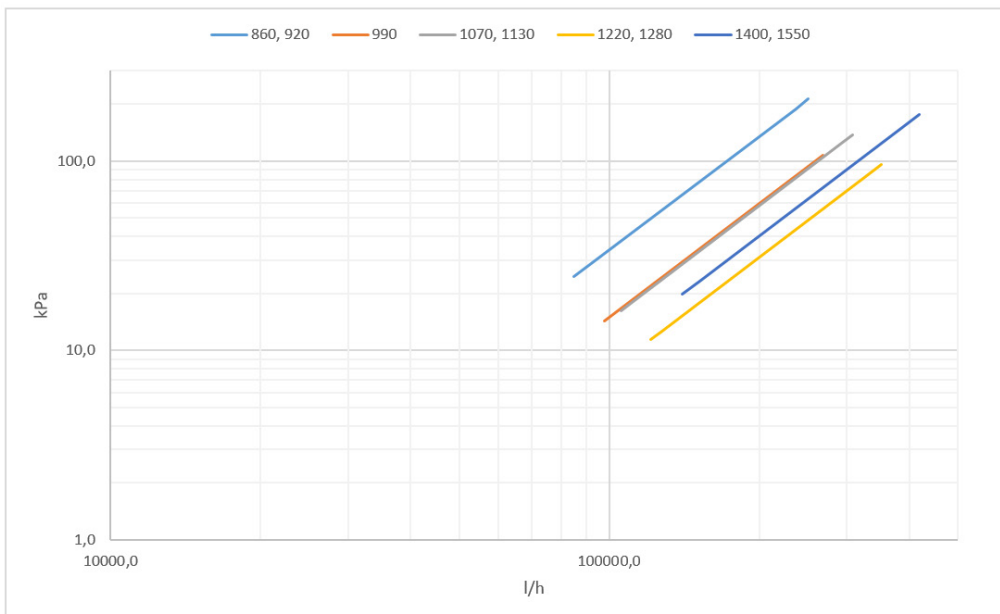
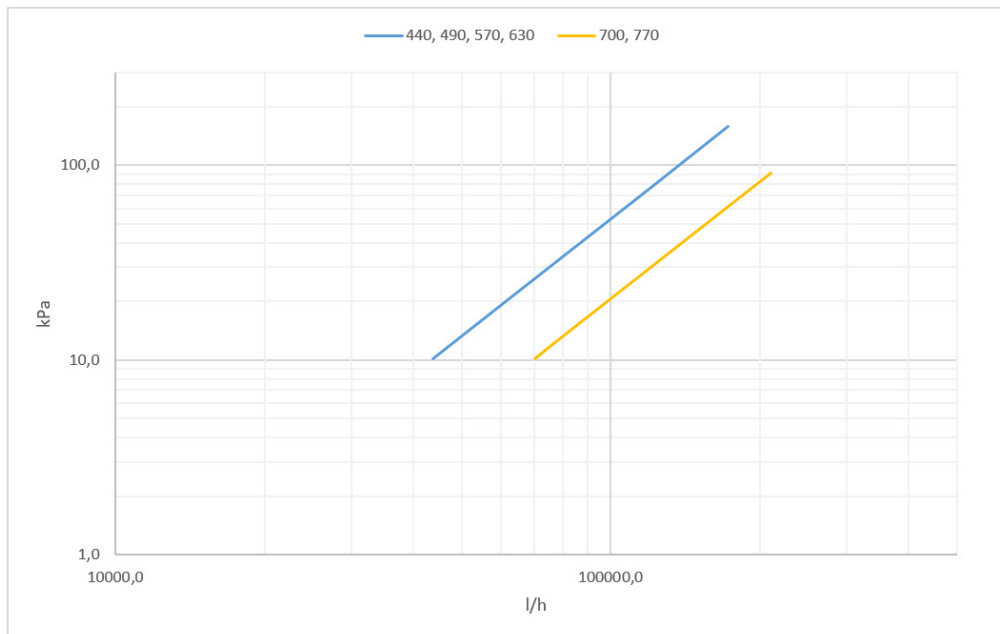
Cooling Capacities - SYSCREW WATER EVO RC R513A - STD / S Version (continue)

Model	LWT °C	Condensing Temperature								
		49			54			59		
		P _{COOL}	P _{ABS}	P _{REJ}	P _{COOL}	P _{ABS}	P _{REJ}	P _{COOL}	P _{ABS}	P _{REJ}
		kW	kW	kW	kW	kW	kW	kW	kW	kW
1130	5	882,4	269,6	1160,1	816,7	295,7	1121,3	747,3	323,7	1080,7
	6	915,5	271,4	1195,1	848,4	297,6	1155,0	777,4	325,8	1113,0
	7	948,7	273,2	1230,0	880,1	299,6	1188,7	807,5	327,9	1145,3
	8	983,9	275,1	1267,2	914,0	301,7	1224,7	839,9	330,2	1180,0
	9	1019,1	277,0	1304,4	947,9	303,8	1260,8	872,3	332,4	1214,7
	10	1054,3	278,9	1341,6	981,8	305,8	1296,8	904,7	334,7	1249,4
	11	1089,6	280,8	1378,8	1015,7	307,9	1332,8	937,1	336,9	1284,1
	12	1126,2	282,7	1417,4	1052,1	310,1	1371,5	972,4	339,3	1321,9
	13	1162,8	284,7	1456,1	1088,4	312,3	1410,1	1007,7	341,7	1359,7
	14	1199,5	286,7	1494,7	1124,8	314,5	1448,8	1043,0	344,1	1397,4
	15	1236,1	288,6	1533,4	1161,2	316,7	1487,4	1078,2	346,5	1435,2
1220	5	944,8	287,1	1240,5	874,4	314,9	1198,8	800,1	344,8	1155,2
	6	980,3	289,1	1278,1	908,4	317,0	1234,9	832,3	347,1	1189,8
	7	1015,9	291,0	1315,6	942,3	319,1	1271,0	864,6	349,3	1224,4
	8	1053,8	293,0	1355,6	978,7	321,4	1309,7	899,4	351,7	1261,6
	9	1091,7	295,1	1395,6	1015,2	323,6	1348,4	934,1	354,1	1298,9
	10	1129,6	297,1	1435,6	1051,6	325,8	1387,1	968,9	356,5	1336,1
	11	1167,5	299,1	1475,6	1088,0	328,0	1425,8	1003,7	358,9	1373,3
	12	1207,7	301,3	1518,0	1127,3	330,4	1467,6	1041,6	361,4	1413,9
	13	1247,8	303,4	1560,3	1166,6	332,7	1509,3	1079,6	364,0	1454,5
	14	1288,0	305,5	1602,7	1205,9	335,1	1551,1	1117,5	366,6	1495,1
	15	1328,2	307,6	1645,0	1245,2	337,5	1592,8	1155,5	369,2	1535,7
1280	5	1001,9	304,4	1315,4	927,7	333,9	1271,7	849,2	365,6	1225,8
	6	1039,3	306,5	1355,0	963,5	336,1	1309,8	883,3	368,0	1262,4
	7	1076,7	308,5	1394,5	999,4	338,3	1347,9	917,4	370,4	1298,9
	8	1116,4	310,6	1436,3	1037,6	340,7	1388,5	954,1	372,9	1338,1
	9	1156,1	312,7	1478,2	1075,9	343,0	1429,2	990,7	375,4	1377,4
	10	1195,7	314,8	1520,0	1114,2	345,3	1469,9	1027,4	377,9	1416,6
	11	1235,4	316,9	1561,8	1152,5	347,6	1510,5	1064,0	380,4	1455,8
	12	1275,6	319,0	1604,2	1193,2	350,1	1553,8	1103,8	383,1	1498,4
	13	1315,7	321,2	1646,5	1234,0	352,5	1597,1	1143,5	385,8	1540,9
	14	1355,9	323,3	1688,8	1274,8	354,9	1640,3	1183,3	388,5	1583,4
	15	1396,0	325,4	1731,2	1315,5	357,4	1683,6	1223,0	391,1	1625,9
1400	5	1100,2	329,8	1439,9	1022,5	360,7	1394,0	940,5	394,6	1347,0
	6	1141,3	332,2	1483,4	1061,7	363,3	1435,8	977,8	397,3	1387,0
	7	1182,3	334,6	1526,9	1100,8	365,9	1477,7	1015,0	400,0	1427,0
	8	1226,2	337,2	1573,5	1142,9	368,8	1522,7	1055,1	403,2	1470,3
	9	1270,1	339,8	1620,0	1184,9	371,7	1567,7	1095,1	406,3	1513,6
	10	1313,9	342,3	1666,5	1226,9	374,6	1612,8	1135,2	409,5	1556,9
	11	1357,8	344,9	1713,1	1269,0	377,5	1657,8	1175,3	412,6	1600,3
	12	1405,2	347,8	1763,4	1314,7	380,8	1706,8	1219,1	416,2	1647,8
	13	1452,5	350,6	1813,6	1360,3	384,0	1755,9	1263,0	419,9	1695,4
	14	1499,9	353,4	1863,9	1406,0	387,3	1805,0	1306,8	423,5	1743,0
	15	1547,3	356,3	1914,2	1451,7	390,6	1854,0	1350,6	427,2	1790,6
1550	5	1190,8	362,7	1564,4	1106,8	397,8	1516,5	1018,1	435,6	1466,7
	6	1234,7	365,0	1610,7	1148,8	400,4	1561,2	1058,0	438,4	1509,6
	7	1278,7	367,4	1657,1	1190,8	403,0	1605,9	1098,0	441,3	1552,5
	8	1325,4	369,9	1706,4	1235,7	405,8	1653,7	1140,9	444,4	1598,6
	9	1372,1	372,4	1755,7	1280,6	408,7	1701,5	1183,8	447,5	1644,7
	10	1418,8	374,9	1805,0	1325,5	411,5	1749,3	1226,7	450,6	1690,8
	11	1465,6	377,4	1854,2	1370,4	414,3	1797,1	1269,6	453,7	1736,9
	12	1515,5	380,0	1906,9	1418,8	417,3	1848,7	1316,2	457,1	1787,1
	13	1565,4	382,7	1959,6	1467,2	420,4	1900,3	1362,9	460,6	1837,3
	14	1615,4	385,4	2012,3	1515,7	423,5	1951,8	1409,6	464,0	1887,5
	15	1665,3	388,0	2064,9	1564,1	426,5	2003,4	1456,2	467,4	1937,7

Evaporator Pressure Drop

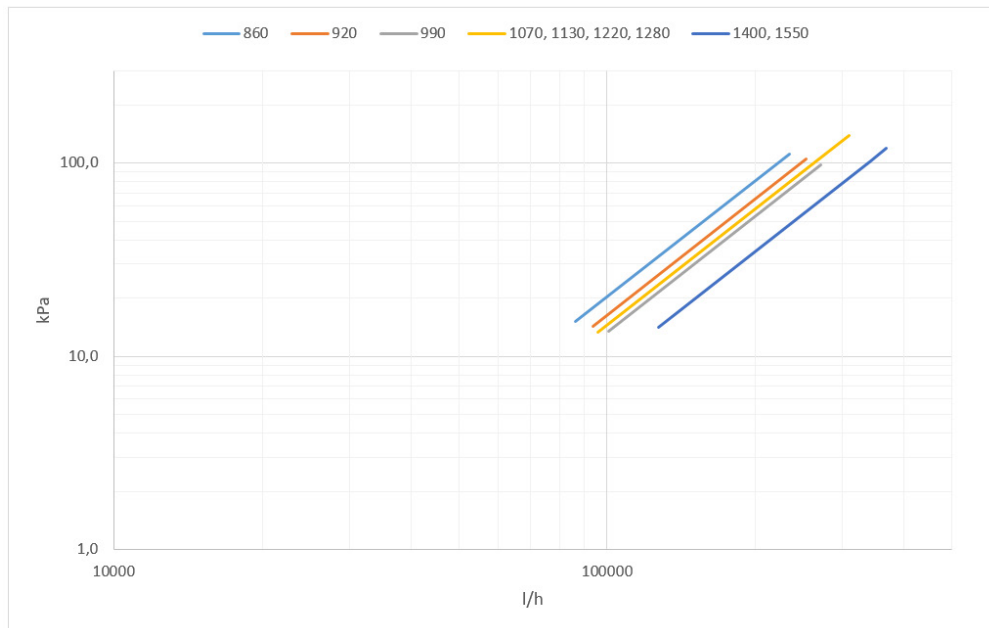
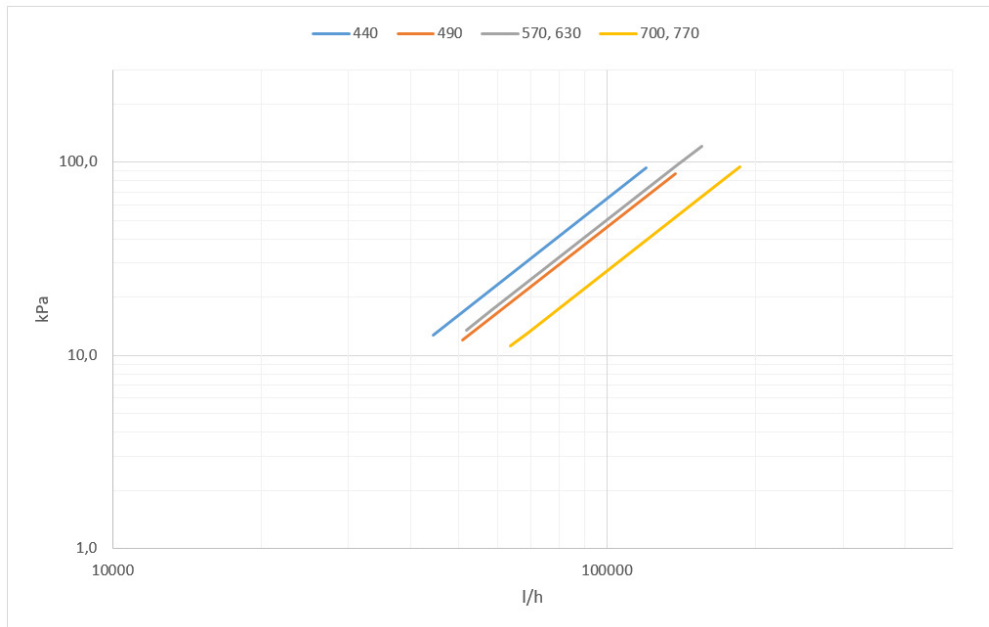
CO Version Size	Norm. Capacity R513A	Norm. Capacity R134a	Qnom. R513A	Qnom. R134a	Qnom. ΔTw=3K	Qnom. ΔTw=8K	K	Δp nom R513A	Δp nom R134a	Δp nom ΔTw=3K	Δp nom ΔTw=8K
	kW	kW	l/h	l/h	l/h	l/h		kPa	kPa	kPa	kPa
440	419	407	72006	70056	120010	43785	5,300E-09	27,5	26,0	76,3	10,2
490	472	457	81113	78666	135189	49166	5,300E-09	34,9	32,8	96,9	12,8
570	539	523	92753	89896	154588	56185	5,300E-09	45,6	42,8	126,7	16,7
630	602	580	103523	99745	172539	62340	5,300E-09	56,8	52,7	157,8	20,6
700	664	655	114279	112576	190464	70360	2,055E-09	26,8	26,0	74,6	10,2
770	735	719	126358	123599	210597	77250	2,055E-09	32,8	31,4	91,1	12,3
860	825	791	141900	136031	236500	85020	3,379E-09	68,0	62,5	189,0	24,4
920	874	846	150343	145498	250572	90936	3,379E-09	76,4	71,5	212,1	27,9
990	937	910	161090	156534	268483	97834	1,492E-09	38,7	36,6	107,6	14,3
1070	1019	981	175277	168713	292128	105446	1,453E-09	44,6	41,4	124,0	16,2
1130	1072	1040	184346	178964	307244	111853	1,453E-09	49,4	46,5	137,1	18,2
1220	1159	1127	199391	193816	332318	121135	7,737E-10	30,8	29,1	85,4	11,4
1280	1226	1181	210887	203192	351479	126995	7,737E-10	34,4	31,9	95,6	12,5
1400	1335	1303	229546	224106	382577	140066	1,008E-09	53,1	50,6	147,5	19,8
1550	1458	1414	250764	243167	417940	151979	1,008E-09	63,4	59,6	176,0	23,3

Conditions: Evaporator EWT/LWT 12/7°C



HP Version Size	Nom. Capacity R513A	Nom. Capacity R134a	Qnom. R513A	Qnom. R134a	Qnom. ΔTw=3K	Qnom. ΔTw=8K	K	Δp nom R513A	Δp nom R134a	Δp nom ΔTw=3K	Δp nom ΔTw=8K
	kW	kW	l/h	l/h	l/h	l/h		kPa	kPa	kPa	kPa
440	419	413	72068	71036	120113	44398	6,442E-09	33,5	32,5	92,9	12,7
490	479	474	82388	81528	137313	50955	4,628E-09	31,4	30,8	87,3	12,0
570	547	539	94084	92708	156807	57943	5,022E-09	44,5	43,2	123,5	16,9
630	612	604	105264	103888	175440	64930	5,022E-09	55,6	54,2	154,6	21,2
700	673	663	115756	114036	192927	71273	2,747E-09	36,8	35,7	102,2	14,0
770	731	721	125732	124012	209553	77508	2,747E-09	43,4	42,2	120,6	16,5
860	818	804	140696	138288	234493	86430	2,018E-09	40,0	38,6	111,0	15,1
920	882	869	151704	149468	252840	93418	1,644E-09	37,8	36,7	105,1	14,3
990	946	936	162712	160992	271187	100620	1,327E-09	35,1	34,4	97,6	13,4
1070	1013	1004	174236	172688	290393	107930	1,448E-09	44,0	43,2	122,1	16,9
1130	1083	1065	186276	183180	310460	114488	1,448E-09	50,2	48,6	139,5	19,0
1220	1156	1137	198832	195564	331387	122228	1,448E-09	57,2	55,4	159,0	21,6
1280	1217	1198	209324	206056	348873	128785	1,448E-09	63,4	61,5	176,2	24,0
1400	1340	1323	230480	227556	384133	142223	8,729E-10	46,4	45,2	128,8	17,7
1550	1451	1432	249572	246304	415953	153940	8,729E-10	54,4	53,0	151,0	20,7

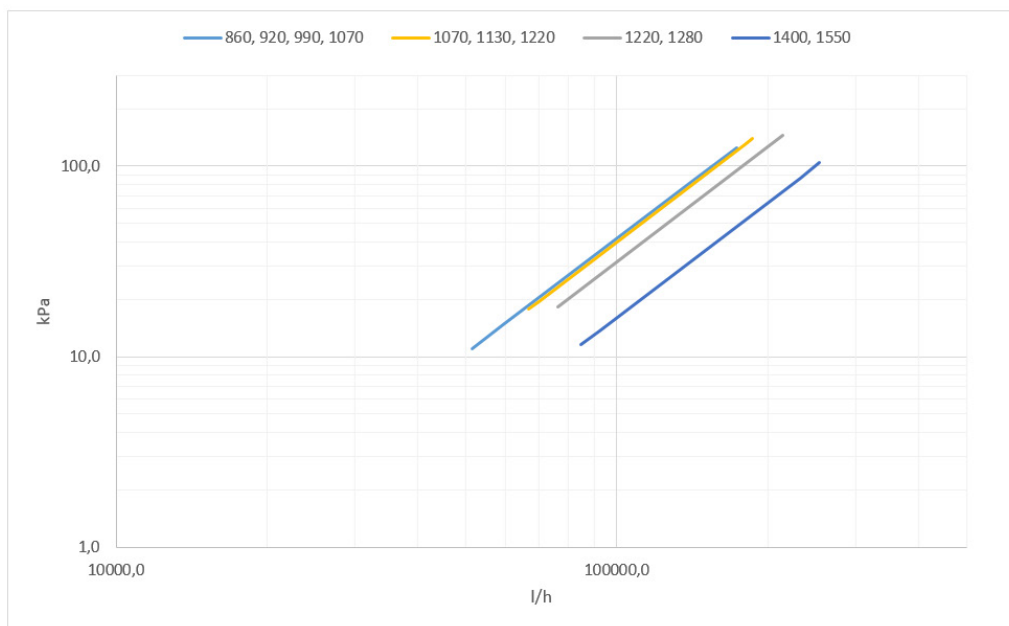
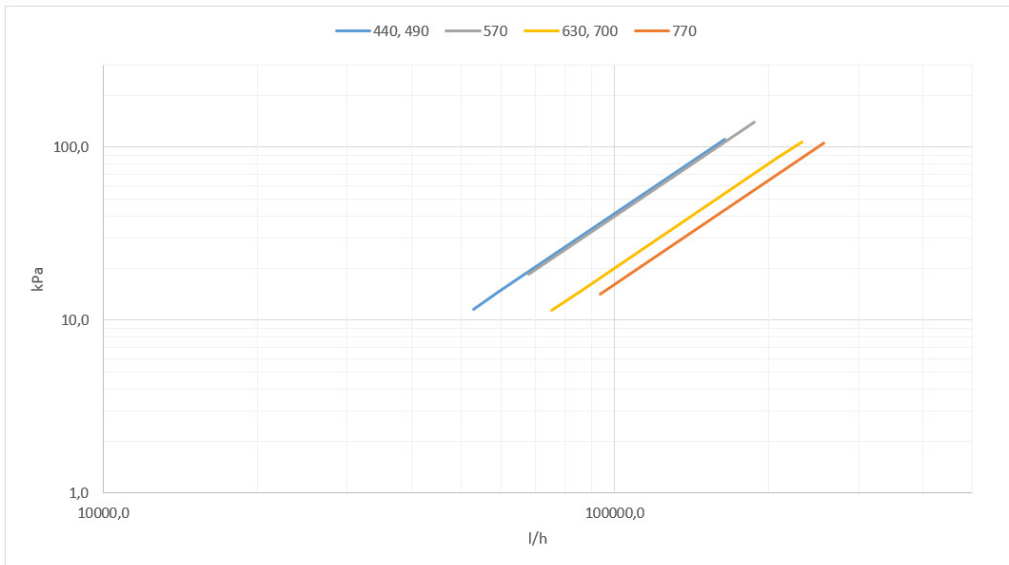
Conditions: Evaporator EWT/LWT 12/7°C



Condenser Pressure Drop

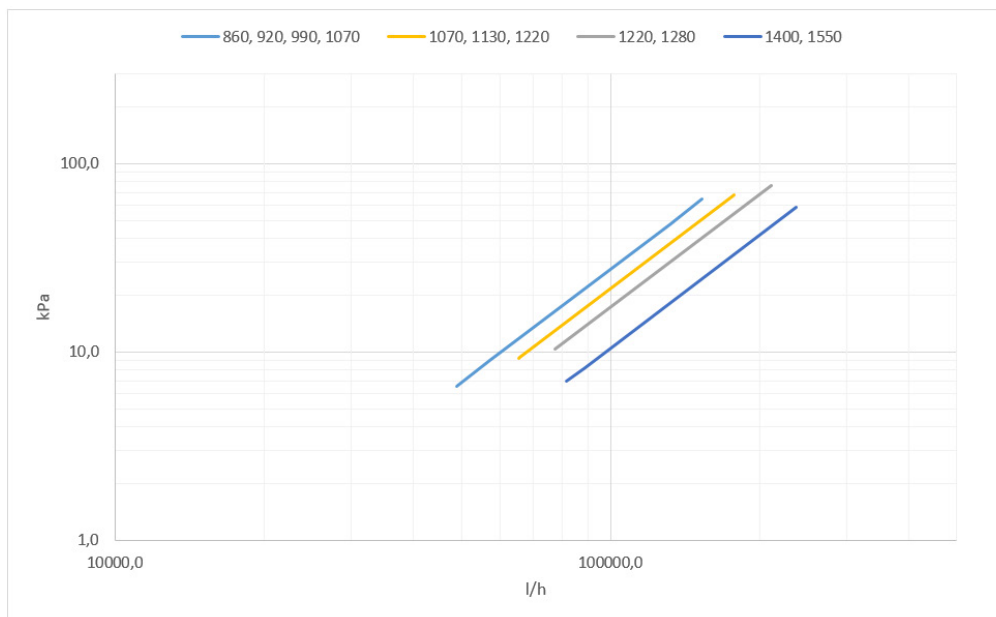
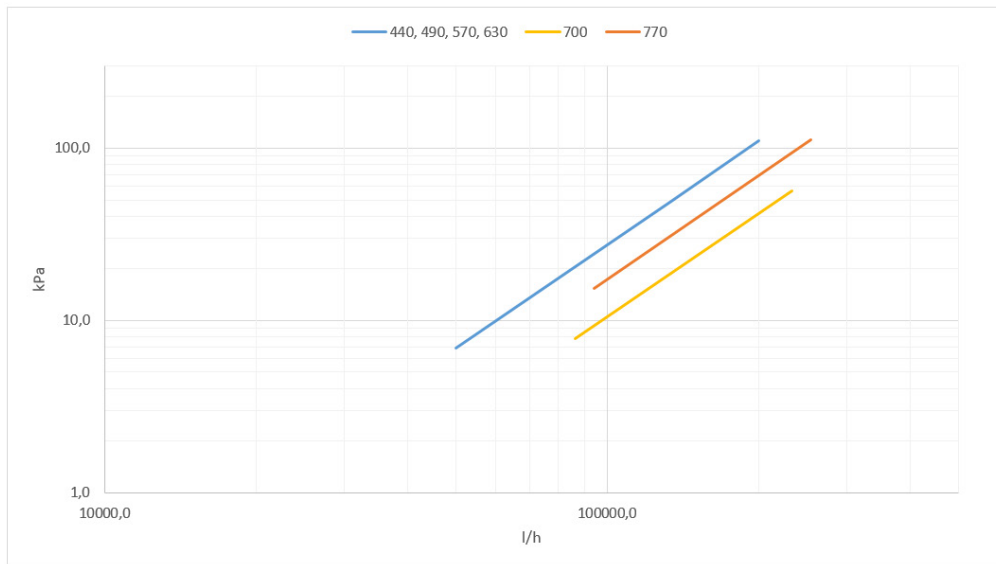
CO Version Size	Condenser n°	Nom. Capacity R513A	Nom. Capacity R134a	Qnom. R513A	Qnom. R134a	Qnom. ΔTw=3K	Qnom. ΔTw=8K	K	Δp nom R513A	Δp nom R134a	Δp nom ΔTw=3K	Δp nom ΔTw=8K
		kW	kW	l/h	l/h	l/h	l/h		kPa/(l/h) ²	kPa	kPa	kPa
440	1	507	492	87151	84548	145251	52843	4,157E-09	31,6	29,7	87,7	11,6
490	1	573	554	98498	95288	164163	59555	4,157E-09	40,3	37,7	112,0	14,7
570	1	654	632	112546	108630	187577	67894	3,997E-09	50,6	47,2	140,6	18,4
630	1	729	702	125460	120682	209100	75426	2,006E-09	31,6	29,2	87,7	11,4
700	1	808	793	139050	136338	231750	85211	2,006E-09	38,8	37,3	107,7	14,6
770	1	893	871	153656	149776	256094	93610	1,609E-09	38,0	36,1	105,5	14,1
860	1/2	501	480	86190	82565	143650	51603	4,157E-09	30,9	28,3	85,8	11,1
920	1/2	532	514	91533	88369	152555	55231	4,157E-09	34,8	32,5	96,7	12,7
990	1/2	569	551	97863	94839	163105	59274	4,157E-09	39,8	37,4	110,6	14,6
1070	1	608	555	104576	95460	174293	59663	4,157E-09	45,5	37,9	126,3	14,8
	2	626	631	107672	108532	180887	67295	3,997E-09	46,3	47,1	130,8	18,1
1130	1/2	650	629	111786	108177	186310	67611	3,997E-09	50,0	46,8	138,8	18,3
1220	1	654	650	112488	111800	187480	69875	3,997E-09	50,6	50,0	140,5	19,5
	2	749	708	128828	121776	214713	76110	3,138E-09	52,1	46,5	144,7	18,2
1280	1/2	742	713	127620	122673	212700	76671	3,138E-09	51,1	47,2	142,0	18,4
1400	1/2	810	788	139398	135594	232330	84746	1,609E-09	31,3	29,6	86,9	11,6
1550	1/2	888	859	152813	147794	254689	92371	1,609E-09	37,6	35,2	104,4	13,7

Conditions: Condenser EWT/LWT 30/35°C



HP Version Size	Condenser n°	Nom. Capacity R513A	Nom. Capacity R134a	Qnom. R513A	Qnom. R134a	Qnom. ΔT _w =3K	Qnom. ΔT _w =8K	K	Δp nom R513A	Δp nom R134a	Δp nom ΔT _w =3K	Δp nom ΔT _w =8K
		kW	kW	l/h	l/h	l/h	l/h		kPa/(l/h) ²	kPa	kPa	kPa
440	1	504	496	86688	85312	144480	53320	2,753E-09	20,7	20,0	57,5	7,8
490	1	576	569	99072	97868	165120	61168	2,753E-09	27,0	26,4	75,0	10,3
570	1	661	648	113692	111456	189487	69660	2,753E-09	35,6	34,2	98,8	13,4
630	1	742	728	127624	125216	212707	78260	2,753E-09	44,8	43,2	124,5	16,9
700	1	813	804	139836	138288	233060	86430	1,044E-09	20,4	20,0	56,7	7,8
770	1	887	875	152564	150500	254273	94063	1,727E-09	40,2	39,1	111,7	15,3
860	1/2	493,5	485	84882	83334	141470	52084	2,753E-09	19,8	19,1	55,1	7,5
920	1/2	532	523	91504	89956	152507	56223	2,753E-09	23,0	22,3	64,0	8,7
990	1/2	570,5	563	98126	96836	163543	60523	2,753E-09	26,5	25,8	73,6	10,1
1070	1	569	562	97868	96664	163113	60415	2,753E-09	26,4	25,7	73,2	10,0
	2	653	646	112316	111112	187193	69445	2,163E-09	27,3	26,7	75,8	10,4
1130	1/2	654	641	112488	110166	187480	68854	2,163E-09	27,4	26,3	76,0	10,3
1220	1	656	643	112832	110596	188053	69123	2,163E-09	27,5	26,5	76,5	10,3
	2	740	725	127280	124700	212133	77938	1,727E-09	28,0	26,9	77,7	10,5
1280	1/2	735	721	126420	123926	210700	77454	1,727E-09	27,6	26,5	76,7	10,4
1400	1/2	809,5	802	139234	137944	232057	86215	1,044E-09	20,2	19,9	56,2	7,8
1550	1/2	877	866	150844	148952	251407	93095	1,044E-09	23,8	23,2	66,0	9,1

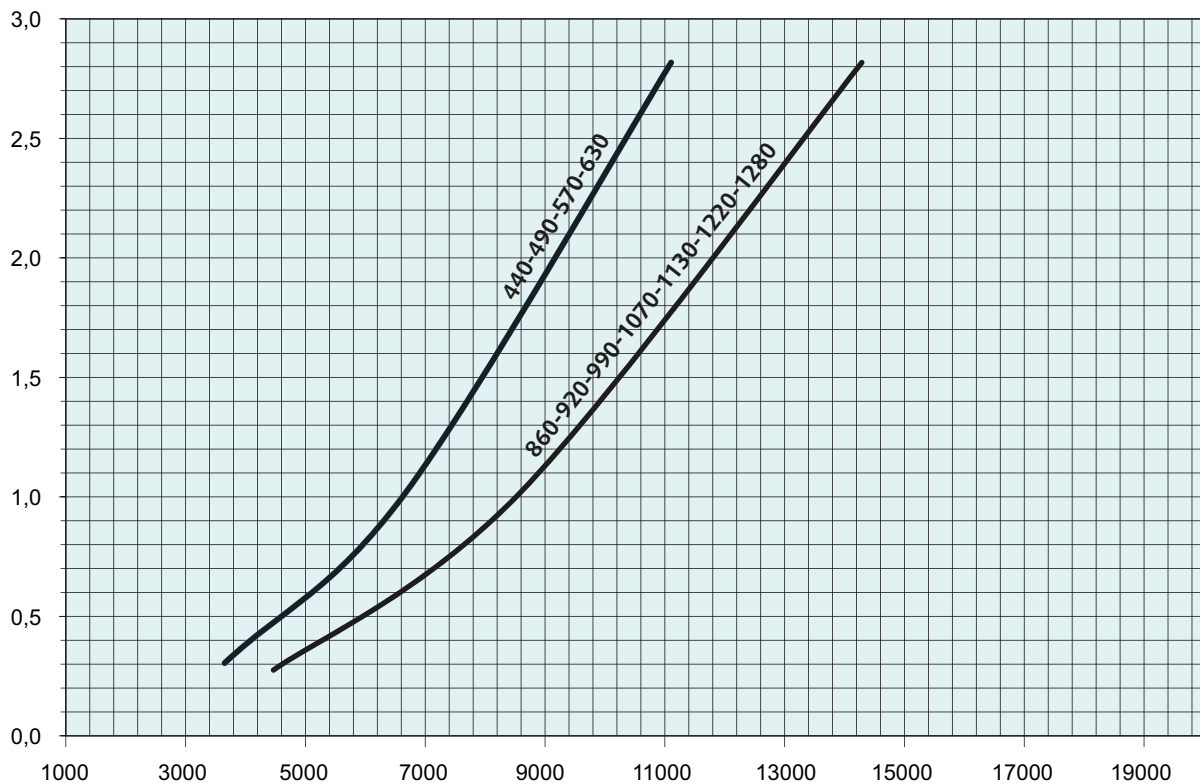
Conditions: Condenser EWT/LWT 30/35°C



Desuperheater Pressure Drop

Size	Nom. Capacity*	Qnom.	Qmax.	Qmin.	K	Dp nom	DP max	DP min
	kW	l/h	l/h	l/h	kPa/(l/h) ²	kPa	kPa	kPa
440	34	5927	9878	3704	2,285E-08	0,8	2,2	0,3
490	38	6596	10993	4122	2,285E-08	1,0	2,8	0,4
570	44	7603	12672	4752	1,380E-08	0,8	2,2	0,3
630	49	8492	14154	5308	1,380E-08	1,0	2,8	0,4
700	not available							
770	not available							
860	34	5841	9734	3650	2,285E-08	0,8	2,2	0,3
920	36	6245	10409	3903	2,285E-08	0,9	2,5	0,3
990	39	6663	11105	4164	2,285E-08	1,0	2,8	0,4
1070	42	7146	11911	4466	1,380E-08	0,7	2,0	0,3
1130	44	7556	12594	4723	1,380E-08	0,8	2,2	0,3
1220	47	8160	13599	5100	1,380E-08	0,9	2,6	0,4
1280	50	8573	14288	5358	1,380E-08	1,0	2,8	0,4
1400	not available							
1550	not available							

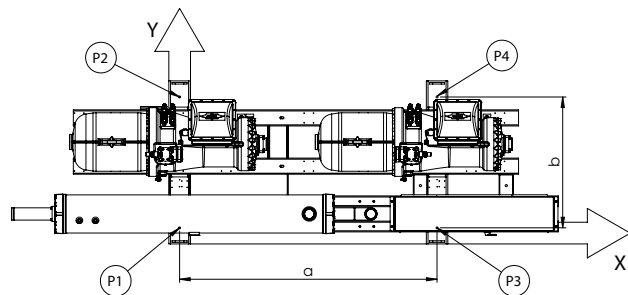
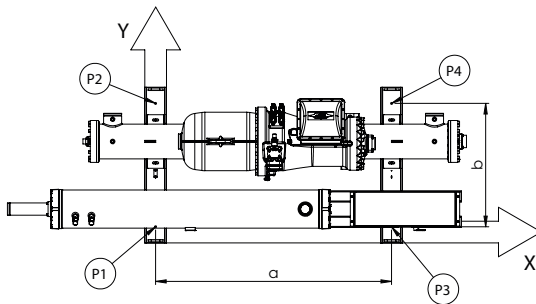
* Capacity referred to only one circuit.
Cooling mode conditions: evaporator EWT/LWT 12°C/7°C, condenser EWT/LWT 30°C/35°C, desuperheater EWT/LWT 40°C/45°C.



Weights Distributions

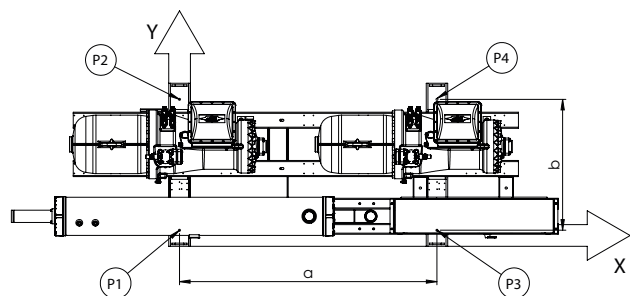
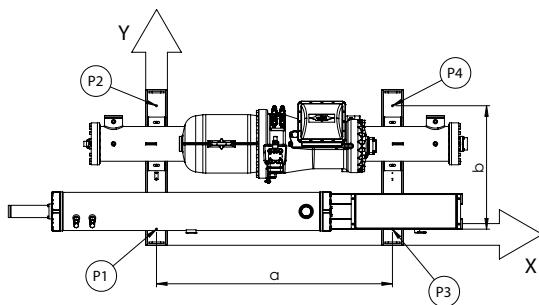
SYSCREW WATER CO STD	Weight distribution				Operating weight	Shipping weight	P coordinates		CG	
	P1	P2	P3	P4			a	b	x	y
	kg	kg	kg	kg			mm	mm	mm	mm
440	596	755	590	749	2.690	2.475	2.200	1.050	1.095	587
490	598	759	591	752	2.700	2.485	2.200	1.050	1.094	588
570	664	815	622	774	2.875	2.658	2.200	1.050	1.068	580
630	740	838	663	762	3.003	2.770	2.200	1.050	1.044	559
700	817	992	744	919	3.472	3.134	2.200	1.050	1.054	578
770	851	1.018	742	910	3.521	3.176	2.200	1.050	1.032	575
860	1.246	1.509	991	1.254	5.000	4.636	2.400	1.220	1.077	674
920	1.246	1.510	995	1.259	5.010	4.646	2.400	1.220	1.080	674
990	1.361	1.725	1.096	1.460	5.642	5.082	2.400	1.220	1.088	689
1070	1.414	1.761	1.148	1.495	5.818	5.270	2.400	1.220	1.090	683
1130	1.505	1.825	1.181	1.501	6.012	5.462	2.400	1.220	1.071	675
1220	1.535	1.838	1.200	1.504	6.077	5.547	2.400	1.220	1.068	671
1280	1.559	1.856	1.206	1.503	6.124	5.587	2.400	1.220	1.062	669
1400	1.610	1.893	1.456	1.739	6.698	6.037	2.400	1.220	1.145	662
1550	1.661	1.951	1.425	1.715	6.752	6.091	2.400	1.220	1.116	662

SYSCREW WATER CO S	Weight distribution				Operating weight	Shipping weight	P coordinates		CG	
	P1	P2	P3	P4			a	b	x	y
	kg	kg	kg	kg			mm	mm	mm	mm
440	625	816	626	817	2.884	2.669	2.200	1.050	1.101	595
490	627	820	627	820	2.894	2.679	2.200	1.050	1.100	595
570	692	877	658	842	3.069	2.852	2.200	1.050	1.075	588
630	769	899	700	829	3.197	2.964	2.200	1.050	1.052	568
700	847	1.052	780	987	3.666	3.328	2.200	1.050	1.060	584
770	882	1.081	777	975	3.715	3.370	2.200	1.050	1.037	581
860	1.414	1.738	956	1.280	5.388	5.024	2.400	1.220	996	683
920	1.414	1.739	960	1.285	5.398	5.034	2.400	1.220	998	683
990	1.437	1.862	1.153	1.578	6.030	5.470	2.400	1.220	1.087	696
1070	1.490	1.899	1.204	1.613	6.206	5.658	2.400	1.220	1.090	690
1130	1.581	1.961	1.239	1.619	6.400	5.850	2.400	1.220	1.072	682
1220	1.612	1.975	1.258	1.620	6.465	5.935	2.400	1.220	1.069	678
1280	1.637	1.992	1.263	1.620	6.512	5.975	2.400	1.220	1.063	677
1400	1.668	2.012	1.531	1.875	7.086	6.425	2.400	1.220	1.154	669
1550	1.725	2.075	1.494	1.846	7.140	6.479	2.400	1.220	1.122	670



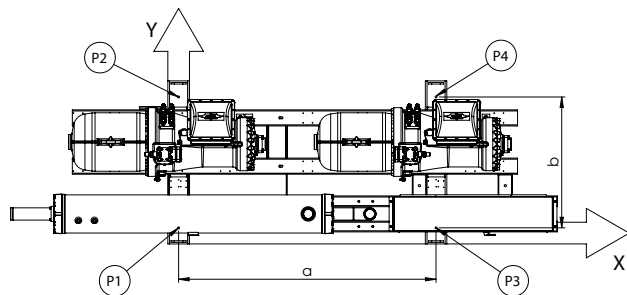
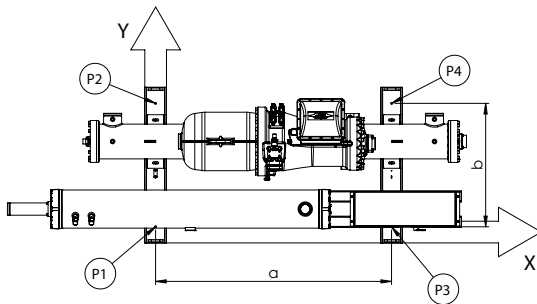
SYSCREW WATER HP STD	Weight distribution				Operating weight	Shipping weight	P coordinates		CG	
	P1	P2	P3	P4			a	b	x	y
	kg	kg	kg	kg			mm	mm	mm	mm
440	737	874	653	791	3.055	2.799	2.200	1.150	1.040	627
490	753	915	678	840	3.186	2.888	2.200	1.150	1.049	634
570	768	944	695	870	3.277	2.987	2.200	1.150	1.051	637
630	746	925	673	853	3.197	2.907	2.200	1.150	1.050	640
700	1.070	1.166	847	944	4.027	3.610	2.200	1.150	978	602
770	942	1.140	772	970	3.824	3.437	2.200	1.150	1.002	635
860	1.623	1.762	1.147	1.286	5.818	5.268	2.400	1.220	1.004	639
920	1.625	1.768	1.153	1.295	5.841	5.313	2.400	1.220	1.006	640
990	1.673	1.860	1.200	1.386	6.119	5.495	2.400	1.220	1.015	647
1070	1.789	1.973	1.299	1.484	6.545	5.929	2.400	1.220	1.020	644
1130	1.898	2.050	1.333	1.487	6.768	6.136	2.400	1.220	1.000	638
1220	1.914	2.058	1.345	1.490	6.807	6.159	2.400	1.220	1.000	636
1280	1.937	2.075	1.347	1.485	6.844	6.181	2.400	1.220	993	635
1400	2.185	2.355	1.640	1.811	7.991	7.055	2.400	1.280	1.037	667
1550	2.197	2.381	1.654	1.839	8.071	7.135	2.400	1.280	1.039	669

SYSCREW WATER HP S	Weight distribution				Operating weight	Shipping weight	P coordinates		CG	
	P1	P2	P3	P4			a	b	x	y
	kg	kg	kg	kg			mm	mm	mm	mm
440	765	936	688	860	3.249	2.993	2.200	1.150	1.048	636
490	781	977	713	909	3.380	3.082	2.200	1.150	1.056	642
570	796	1.005	730	940	3.471	3.181	2.200	1.150	1.058	644
630	799	1.012	734	946	3.491	3.201	2.200	1.150	1.059	645
700	1.103	1.232	878	1.008	4.221	3.804	2.200	1.150	983	610
770	974	1.206	802	1.035	4.017	3.631	2.200	1.150	1.006	642
860	1.699	1.899	1.204	1.403	6.205	5.656	2.400	1.220	1.009	649
920	1.701	1.905	1.210	1.413	6.229	5.701	2.400	1.220	1.011	650
990	1.749	1.995	1.258	1.504	6.506	5.883	2.400	1.220	1.019	656
1070	1.864	2.110	1.357	1.601	6.932	6.317	2.400	1.220	1.024	653
1130	1.973	2.187	1.391	1.604	7.155	6.524	2.400	1.220	1.005	646
1220	1.989	2.194	1.403	1.608	7.194	6.547	2.400	1.220	1.004	645
1280	2.013	2.211	1.405	1.603	7.232	6.569	2.400	1.220	998	643
1400	2.245	2.482	1.707	1.944	8.378	7.443	2.400	1.280	1.046	676
1550	2.257	2.509	1.720	1.972	8.458	7.523	2.400	1.280	1.048	678



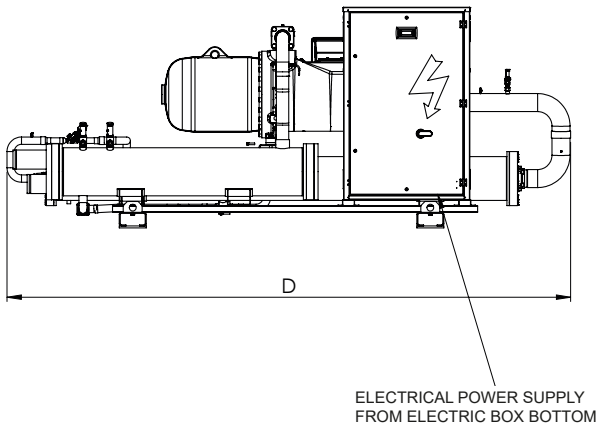
SYSCREW WATER RC STD	Weight distribution				Operating weight	Shipping weight	P coordinates		CG	
	P1	P2	P3	P4			a	b	x	y
	kg	kg	kg	kg			mm	mm	mm	mm
440	401	675	476	750	2.302	2.159	2.200	1.050	1.172	650
490	402	678	478	754	2.312	2.169	2.200	1.050	1.171	650
570	426	726	502	802	2.456	2.285	2.200	1.050	1.169	653
630	429	732	506	809	2.476	2.305	2.200	1.050	1.168	654
700	507	890	586	969	2.952	2.676	2.200	1.050	1.159	661
770	513	903	593	983	2.992	2.716	2.200	1.050	1.159	662
860	811	1.611	791	1.591	4.804	4.425	2.400	1.220	1.190	813
920	810	1.613	794	1.597	4.814	4.435	2.400	1.220	1.192	813
990	844	1.676	823	1.655	4.998	4.526	2.400	1.220	1.190	813
1070	842	1.690	846	1.694	5.071	4.613	2.400	1.220	1.202	814
1130	865	1.727	839	1.701	5.131	4.673	2.400	1.220	1.188	815
1220	866	1.736	849	1.719	5.170	4.739	2.400	1.220	1.192	815
1280	874	1.749	846	1.721	5.190	4.759	2.400	1.220	1.187	816
1400	823	1.775	1.023	1.975	5.596	5.073	2.400	1.220	1.285	818
1550	832	1.803	1.035	2.006	5.676	5.153	2.400	1.220	1.286	819

SYSCREW WATER RC S	Weight distribution				Operating weight	Shipping weight	P coordinates		CG	
	P1	P2	P3	P4			a	b	x	y
	kg	kg	kg	kg			mm	mm	mm	mm
440	433	740	508	815	2.496	2.353	2.200	1.050	1.166	654
490	435	743	510	818	2.506	2.363	2.200	1.050	1.166	654
570	458	790	535	867	2.650	2.479	2.200	1.050	1.163	657
630	461	797	538	874	2.670	2.499	2.200	1.050	1.163	657
700	540	954	619	1.033	3.146	2.870	2.200	1.050	1.155	663
770	546	967	626	1.047	3.186	2.910	2.200	1.050	1.155	664
860	878	1.738	858	1.718	5.191	4.812	2.400	1.220	1.191	812
920	877	1.739	861	1.723	5.201	4.822	2.400	1.220	1.193	812
990	911	1.803	890	1.782	5.385	4.913	2.400	1.220	1.191	812
1070	908	1.817	912	1.821	5.458	5.000	2.400	1.220	1.202	813
1130	931	1.854	905	1.828	5.518	5.060	2.400	1.220	1.189	814
1220	933	1.863	915	1.845	5.557	5.126	2.400	1.220	1.192	814
1280	941	1.876	913	1.848	5.577	5.146	2.400	1.220	1.188	815
1400	827	1.966	1.026	2.165	5.983	5.460	2.400	1.220	1.280	842
1550	835	1.994	1.038	2.196	6.063	5.540	2.400	1.220	1.280	843

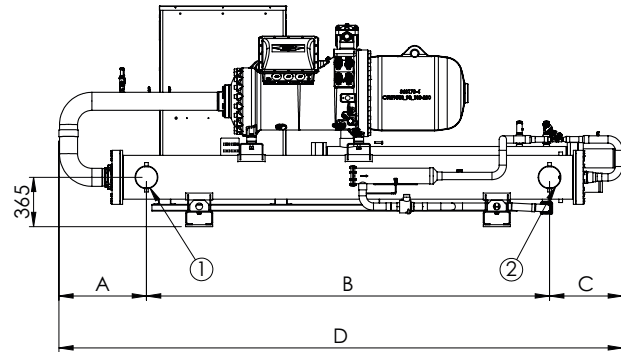


Dimensions SYSCREW 440-770 WATER EVO CO STD

Front view



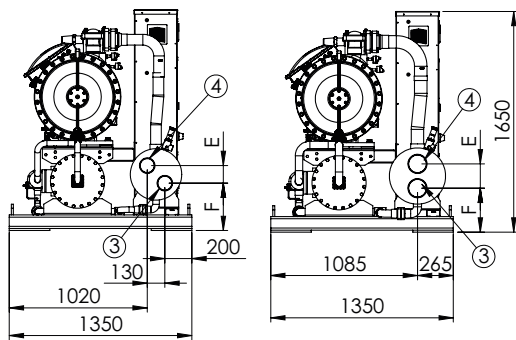
Back view



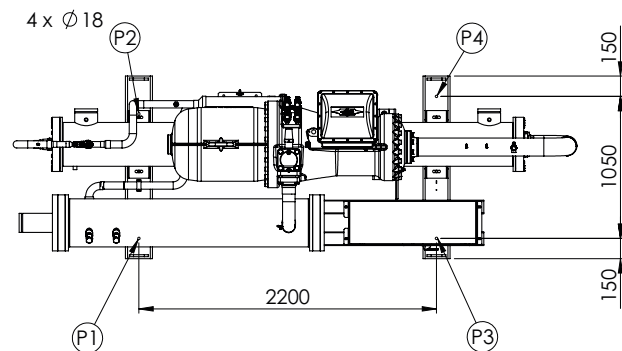
Side view

SIZE 440/490

SIZE 570/770



Top view



NOTES

- 1 Evaporator water inlet victaulic connection
- 2 Evaporator water outlet victaulic connection
- 3 Condenser water inlet victaulic connection
- 4 Condenser water outlet victaulic connection

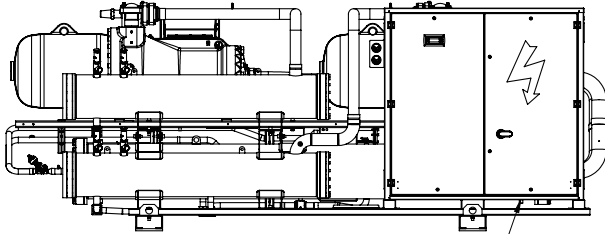
P1, P2, P3, P4 AVM position

Size	A	B	C	D
440-490	780	2.980	490	4.250
570	680	2.980	550	4.210
630	680	2.980	550	4.210
700-770	720	2.860	600	4.180

Size	E	F	día 1-2	día 3-4
440-490	130	350	DN 150 (6")	DN 100 (4")
570	180	325	DN 150 (6")	DN 125 (5")
630	210	335	DN 150 (6")	DN 125 (5")
700-770	210	335	DN 200 (8")	DN 125 (5")

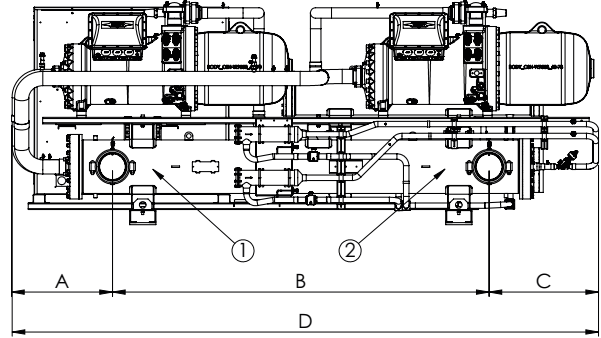
Dimensions SYSCREW 860-1550 WATER EVO CO STD

Front view

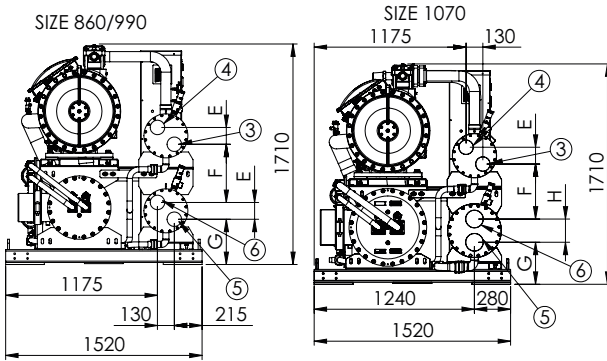


ELECTRICAL POWER SUPPLY FROM ELECTRIC BOX BOTTOM

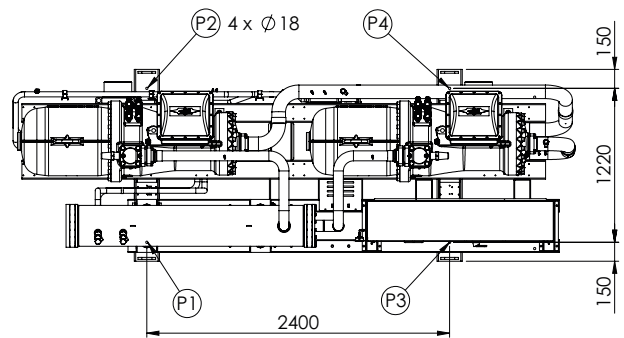
Back view



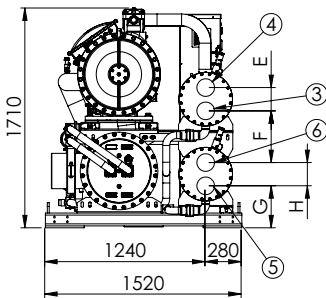
Side view



Top view



SIZE 1130/1550



Size	A	B	C	D	E	F	G	H
860	800	2.860	850	4.510	130	450	350	-
920	800	2.860	850	4.510	130	450	350	-
990	850	2.860	890	4.600	130	450	350	-
1070	850	2.860	940	4.650	130	425	325	180
1130	850	2.860	940	4.650	180	400	325	180
1220	850	2.860	940	4.650	180	400	325	180
1280	850	2.860	940	4.650	180	400	325	180
1400	860	3.570	920	5.350	210	450	310	210
1550	860	3.570	920	5.350	210	450	310	210

NOTES

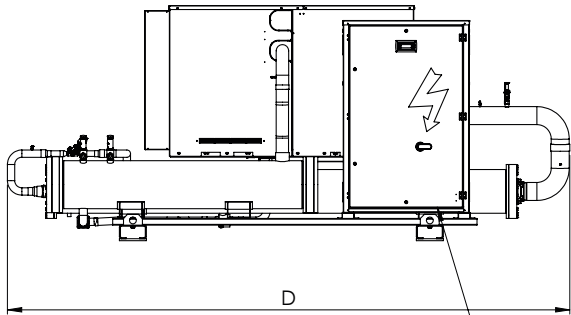
- 1 Evaporator water inlet victaulic connection
- 2 Evaporator water outlet victaulic connection
- 3-5 Condenser water inlet victaulic connection
- 4-6 Condenser water outlet victaulic connection

P1, P2, P3, P4 AVM position

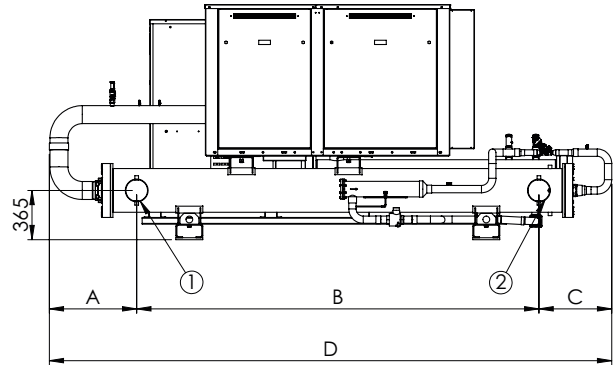
Size	dia 1-2	dia 3	dia 4	dia 5	dia 6
860	DN200(8")	DN100(4")	DN100(4")	DN100(4")	DN100(4")
920	DN200(8")	DN100(4")	DN100(4")	DN100(4")	DN100(4")
990	DN250(10")	DN100(4")	DN100(4")	DN100(4")	DN100(4")
1070	DN250(10")	DN100(4")	DN100(4")	DN125(5")	DN125(5")
1130	DN250(10")	DN125(5")	DN125(5")	DN125(5")	DN125(5")
1220	DN250(10")	DN125(5")	DN125(5")	DN125(5")	DN125(5")
1280	DN250(10")	DN125(5")	DN125(5")	DN125(5")	DN125(5")
1400	DN250(10")	DN125(5")	DN125(5")	DN125(5")	DN125(5")
1550	DN250(10")	DN125(5")	DN125(5")	DN125(5")	DN125(5")

Dimensions SYSCREW 440-770 WATER EVO CO S

Front view

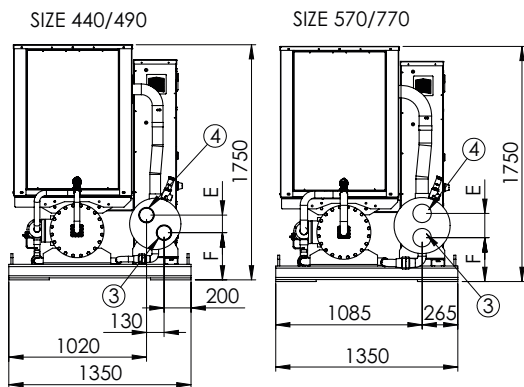


Back view

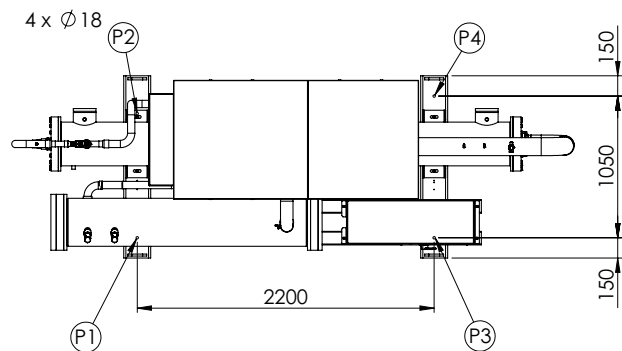


ELECTRICAL POWER SUPPLY FROM ELECTRIC BOX BOTTOM

Side view



Top view



NOTES

- 1 Evaporator water inlet victaulic connection
- 2 Evaporator water outlet victaulic connection
- 3 Condenser water inlet victaulic connection
- 4 Condenser water outlet victaulic connection

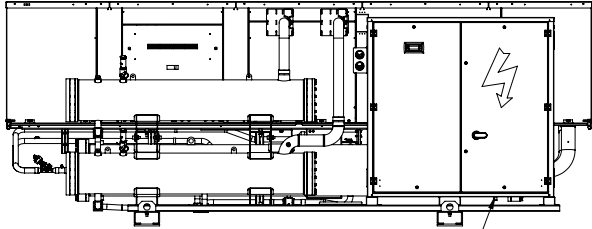
P1, P2, P3, P4 AVM position

Size	A	B	C	D
440-490	780	2.980	490	4.250
570	680	2.980	550	4.210
630	680	2.980	550	4.210
700-770	720	2.860	600	4.180

Size	E	F	dia 1-2	dia 3-4
440-490	130	350	DN 150 (6")	DN 100 (4")
570	180	325	DN 150 (6")	DN 125 (5")
630	210	335	DN 150 (6")	DN 125 (5")
700-770	210	335	DN 200 (8")	DN 125 (5")

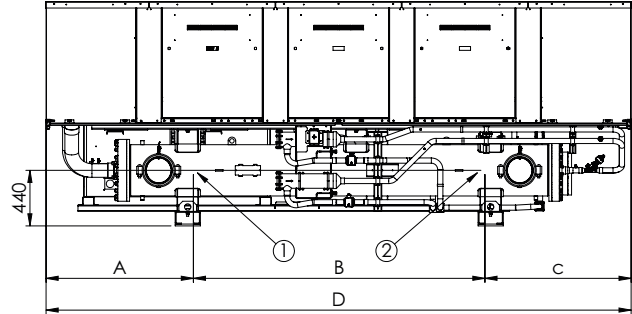
Dimensions SYSCREW 860-1550 WATER EVO CO S

Front view

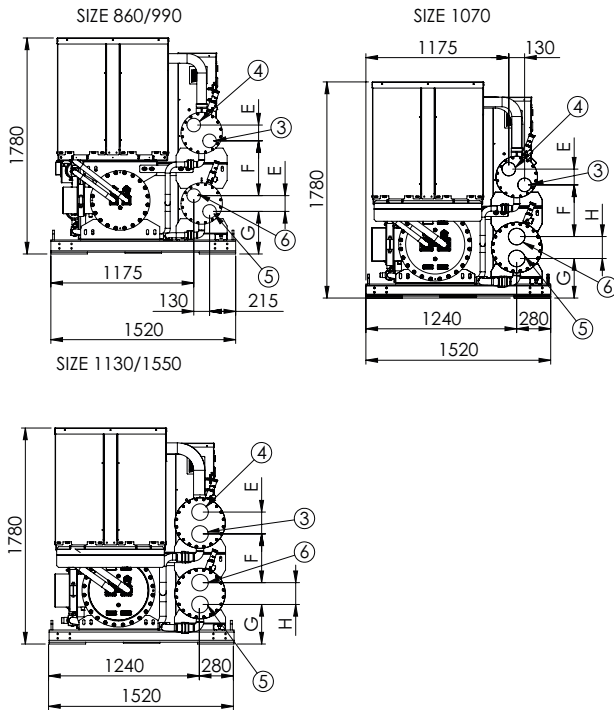


ELECTRICAL POWER SUPPLY FROM ELECTRIC BOX BOTTOM

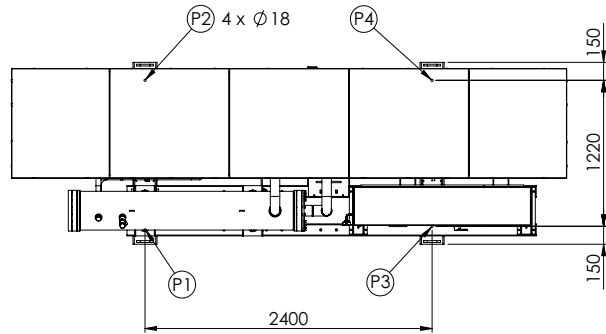
Back view



Side view



Top view



Size	A	B	C	D	E	F	G	H
860	800	2.860	850	4.510	130	450	350	-
920	800	2.860	850	4.510	130	450	350	-
990	890	2.860	940	4.690	130	450	350	-
1070	890	2.860	940	4.690	130	425	325	180
1130	890	2.860	940	4.690	180	400	325	180
1220	890	2.860	940	4.690	180	400	325	180
1280	890	2.860	940	4.690	180	400	325	180
1400	910	3.570	920	5.400	210	450	310	210
1550	910	3.570	920	5.400	210	450	310	210

Size	dia 1-2	dia 3	dia 4	dia 5	dia 6
860	DN200(8")	DN100(4")	DN100(4")	DN100(4")	DN100(4")
920	DN200(8")	DN100(4")	DN100(4")	DN100(4")	DN100(4")
990	DN250(10")	DN100(4")	DN100(4")	DN100(4")	DN100(4")
1070	DN250(10")	DN100(4")	DN100(4")	DN125(5")	DN125(5")
1130	DN250(10")	DN125(5")	DN125(5")	DN125(5")	DN125(5")
1220	DN250(10")	DN125(5")	DN125(5")	DN125(5")	DN125(5")
1280	DN250(10")	DN125(5")	DN125(5")	DN125(5")	DN125(5")
1400	DN250(10")	DN125(5")	DN125(5")	DN125(5")	DN125(5")
1550	DN250(10")	DN125(5")	DN125(5")	DN125(5")	DN125(5")

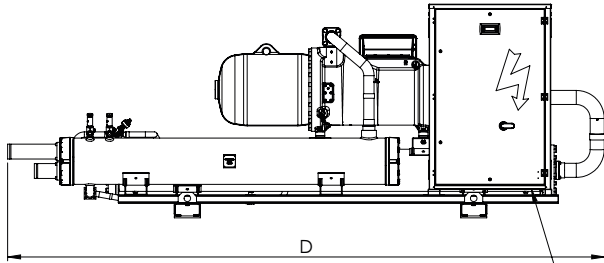
NOTES

- 1 Evaporator water inlet victaulic connection
- 2 Evaporator water outlet victaulic connection
- 3-5 Condenser water inlet victaulic connection
- 4-6 Condenser water outlet victaulic connection

P1, P2, P3, P4 AVM position

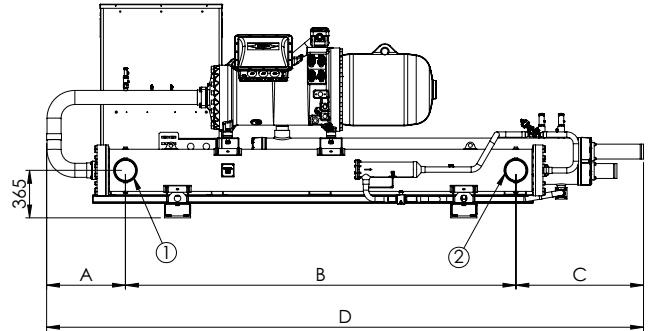
Dimensions SYSCREW 440-770 WATER EVO HP STD

Front view

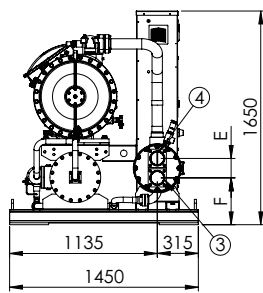


ELECTRICAL POWER SUPPLY FROM ELECTRIC BOX BOTTOM

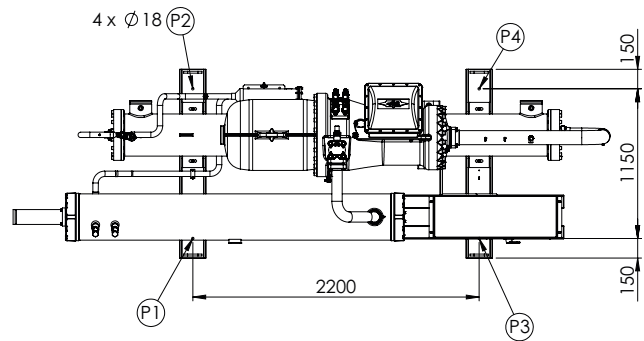
Back view



Side view



Top view



NOTES

- 1 Evaporator water inlet victaulic connection
- 2 Evaporator water outlet victaulic connection
- 3 Condenser water inlet victaulic connection
- 4 Condenser water outlet victaulic connection

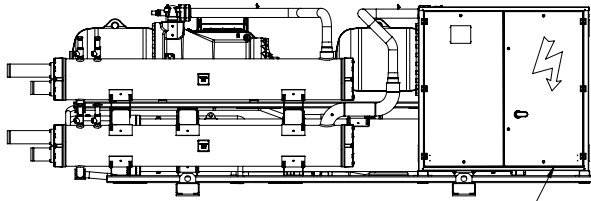
P1, P2, P3, P4 AVM position

Size	A	B	C	D
440-490	610	3.000	980	4.590
570	650	3.000	980	4.630
630	700	2.950	670	4.320
700-770	720	2.950	890	4.560

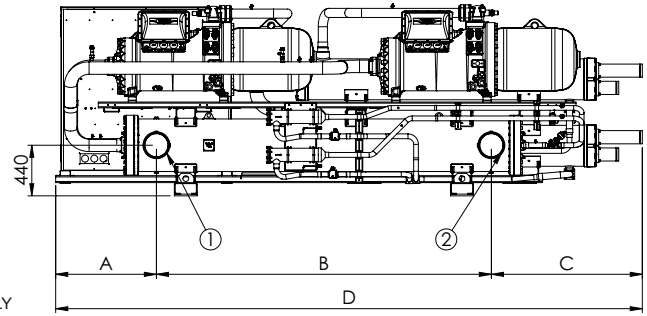
Size	E	F	día 1-2	día 3-4
440-490	150	360	DN 150 (6")	DN 100 (4")
570	150	360	DN 150 (6")	DN 100 (4")
630	230	335	DN 200 (8")	DN 125 (5")
700-770	180	360	DN 200 (8")	DN 125 (5")

Dimensions SYSCREW 860-1550 WATER EVO HP STD

Front view



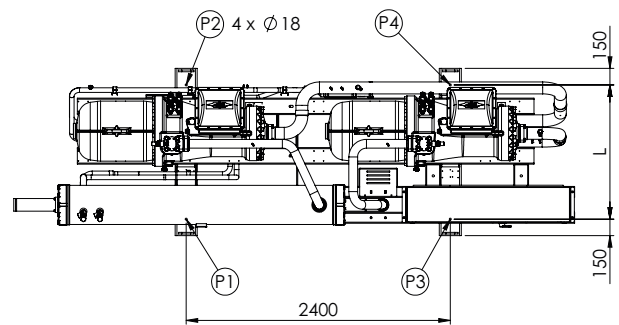
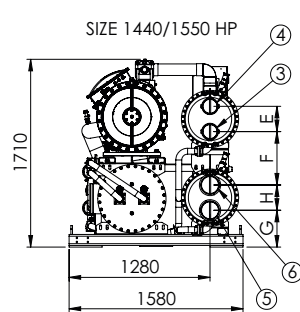
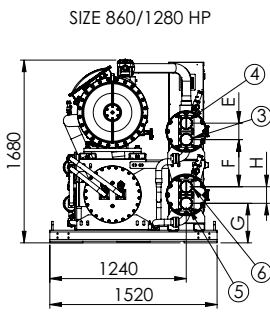
Back view



ELECTRICAL POWER SUPPLY FROM ELECTRIC BOX BOTTOM

Side view

Top view



Size	A	B	C	D	E	F	G	H	L
860	880	2.910	1.320	5.110	150	430	360	150	1.220
920	880	2.910	1.320	5.110	150	430	360	150	1.220
990	900	2.860	1.340	5.100	150	430	360	150	1.220
1070	900	2.860	1.340	5.100	150	450	330	180	1.220
1130	900	2.860	1.240	5.000	180	455	330	180	1.220
1220	900	2.860	1.240	5.000	180	455	330	180	1.220
1280	900	2.860	1.240	5.000	180	455	330	180	1.220
1400	850	3.550	900	5.300	230	485	335	230	1.280
1550	850	3.550	900	5.300	230	485	335	230	1.280

NOTES

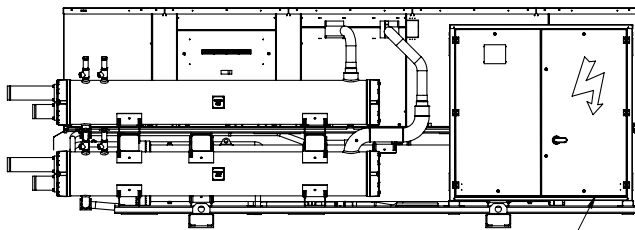
- 1 Evaporator water inlet victaulic connection
- 2 Evaporator water outlet victaulic connection
- 3-5 Condenser water inlet victaulic connection
- 4-6 Condenser water outlet victaulic connection

P1, P2, P3, P4 AVM position

Size	dia 1-2	dia 3	dia 4	dia 5	dia 6
860	DN200(8")	DN100(4")	DN100(4")	DN100(4")	DN100(4")
920	DN200(8")	DN100(4")	DN100(4")	DN100(4")	DN100(4")
990	DN250(10")	DN100(4")	DN100(4")	DN100(4")	DN100(4")
1070	DN250(10")	DN100(4")	DN100(4")	DN125(5")	DN125(5")
1130	DN250(10")	DN125(5")	DN125(5")	DN125(5")	DN125(5")
1220	DN250(10")	DN125(5")	DN125(5")	DN125(5")	DN125(5")
1280	DN250(10")	DN125(5")	DN125(5")	DN125(5")	DN125(5")
1400	DN250(10")	DN125(5")	DN125(5")	DN125(5")	DN125(5")
1550	DN250(10")	DN125(5")	DN125(5")	DN125(5")	DN125(5")

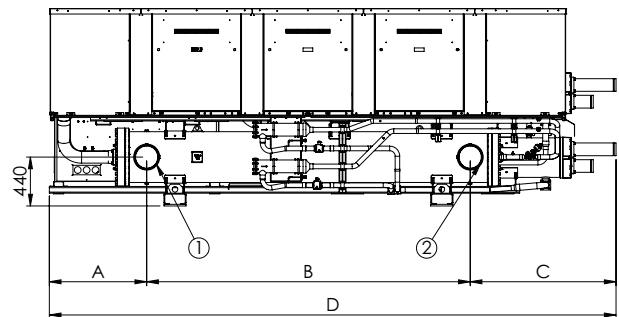
Dimensions SYSCREW 440-770 WATER EVO HP S

Front view

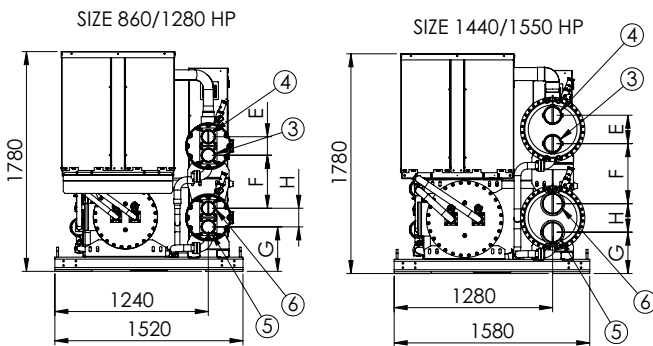


ELECTRICAL POWER SUPPLY FROM ELECTRIC BOX BOTTOM

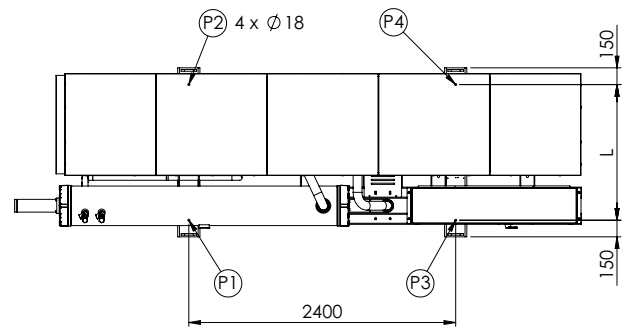
Back view



Side view



Top view



NOTES

- 1 Evaporator water inlet victaulic connection
- 2 Evaporator water outlet victaulic connection
- 3 Condenser water inlet victaulic connection
- 4 Condenser water outlet victaulic connection

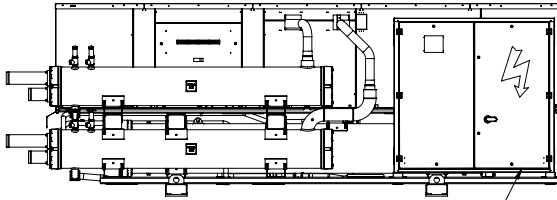
P1, P2, P3, P4 AVM position

Size	A	B	C	D
440-490	610	3.000	980	4.590
570	650	3.000	980	4.630
630	700	2.950	670	4.320
700-770	720	2.950	890	4.560

Size	E	F	dia 1-2	dia 3-4
440-490	150	360	DN 150 (6")	DN 100 (4")
570	150	360	DN 150 (6")	DN 100 (4")
630	230	335	DN 200 (8")	DN 125 (5")
700-770	180	360	DN 200 (8")	DN 125 (5")

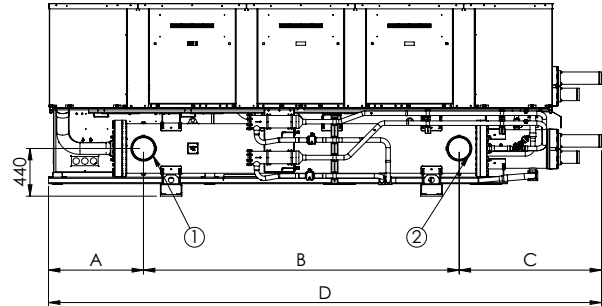
Dimensions SYSCREW 860-1550 WATER EVO HP S

Front view

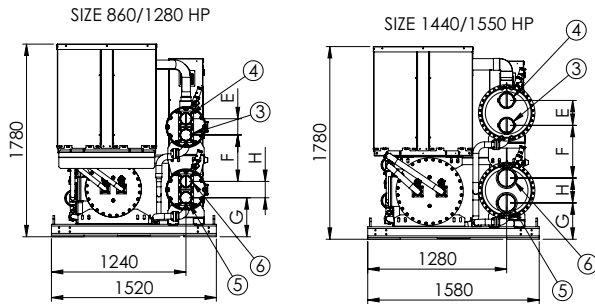


ELECTRICAL POWER SUPPLY
FROM ELECTRIC BOX BOTTOM

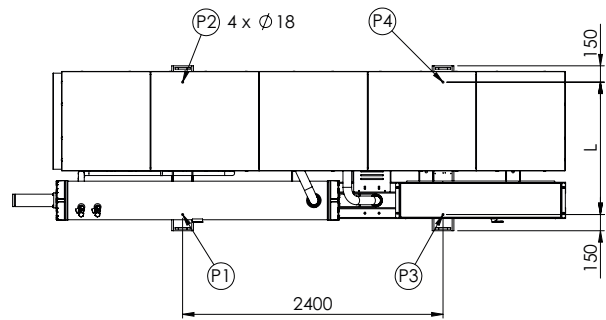
Back view



Side view



Top view



Size	A	B	C	D	E	F	G	H	L
860	900	2.910	1.320	5.130	150	430	360	150	1.220
920	900	2.910	1.320	5.130	150	430	360	150	1.220
990	920	2.860	1.340	5.120	150	430	360	150	1.220
1070	920	2.860	1.340	5.120	150	450	330	180	1.220
1130	920	2.860	1.240	5.020	180	455	330	180	1.220
1220	920	2.860	1.240	5.020	180	455	330	180	1.220
1280	920	2.860	1.240	5.020	180	455	330	180	1.220
1400	870	3.550	900	5.320	230	485	335	230	1.280
1550	870	3.550	900	5.320	230	485	335	230	1.280

NOTES

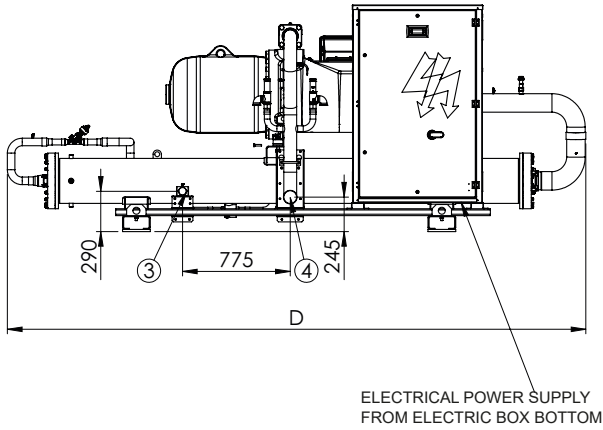
- 1 Evaporator water inlet victaulic connection
- 2 Evaporator water outlet victaulic connection
- 3-5 Condenser water inlet victaulic connection
- 4-6 Condenser water outlet victaulic connection

P1, P2, P3, P4 AVM position

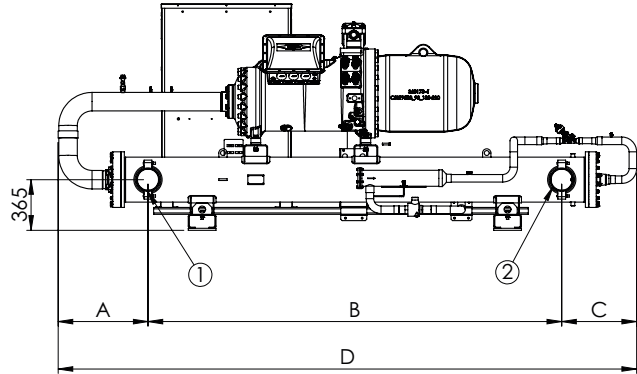
Size	dia 1-2	dia 3	dia 4	dia 5	dia 6
860	DN200(8")	DN100(4")	DN100(4")	DN100(4")	DN100(4")
920	DN200(8")	DN100(4")	DN100(4")	DN100(4")	DN100(4")
990	DN250(10")	DN100(4")	DN100(4")	DN100(4")	DN100(4")
1070	DN250(10")	DN100(4")	DN100(4")	DN125(5")	DN125(5")
1130	DN250(10")	DN125(5")	DN125(5")	DN125(5")	DN125(5")
1220	DN250(10")	DN125(5")	DN125(5")	DN125(5")	DN125(5")
1280	DN250(10")	DN125(5")	DN125(5")	DN125(5")	DN125(5")
1400	DN250(10")	DN125(5")	DN125(5")	DN125(5")	DN125(5")
1550	DN250(10")	DN125(5")	DN125(5")	DN125(5")	DN125(5")

Dimensions SYSCREW 440-770 WATER EVO RC STD

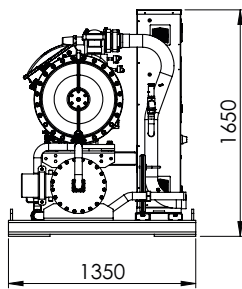
Front view



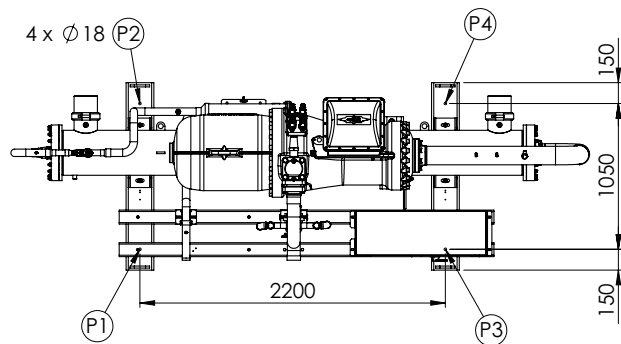
Back view



Side view



Top view



NOTES

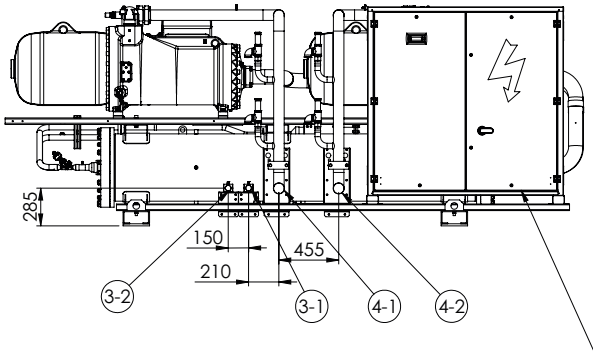
- 1 Evaporator water inlet victaulic connection
- 2 Evaporator water outlet victaulic connection
- 3 Liquid connection
- 4 Discharge connection

P1, P2, P3, P4 AVM position

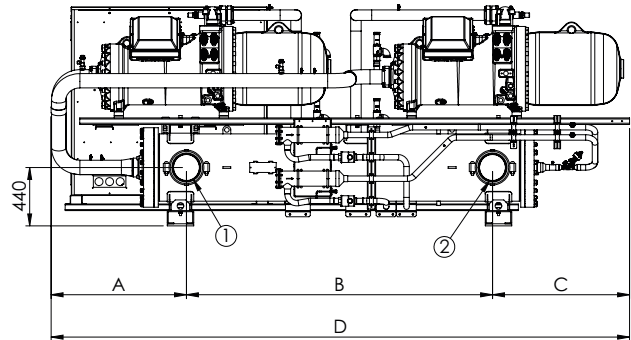
Size	A	B	C	D	dia 1-2	dia 3	dia 4
440-490	650	2.410	560	3.620	DN150(6")	1 5/8"	3 1/8"
570-630	680	2.980	550	4.210	DN150(6")	2 1/8"	3 5/8"
700-770	720	2.860	600	4.180	DN200(8")	2 1/8"	4 1/8"

Dimensions SYSCREW 860-1550 WATER EVO RC STD

Front view

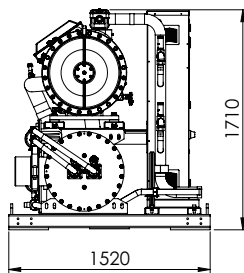


Back view

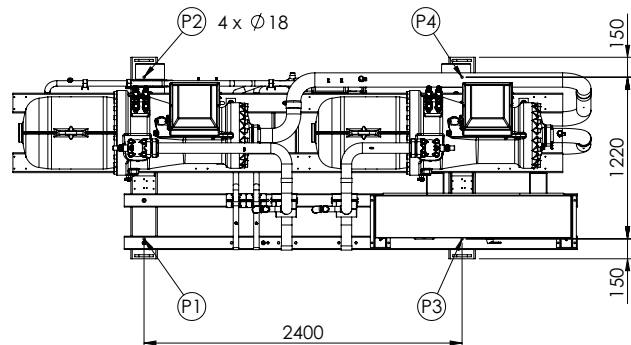


ELECTRICAL POWER SUPPLY
FROM ELECTRIC BOX BOTTOM

Side view



Top view



NOTES

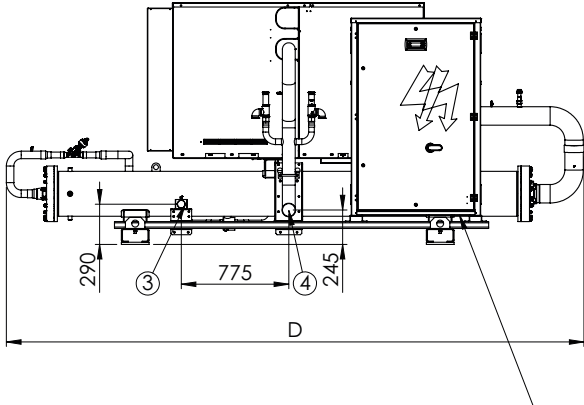
- 1 Evaporator water inlet victaulic connection
- 2 Evaporator water outlet victaulic connection
- 3-1 Liquid connection circ 1
- 3-2 Liquid connection circ 2
- 4-1 Discharge connection circ 1
- 4-2 Discharge connection circ 2

P1, P2, P3, P4 AVM position

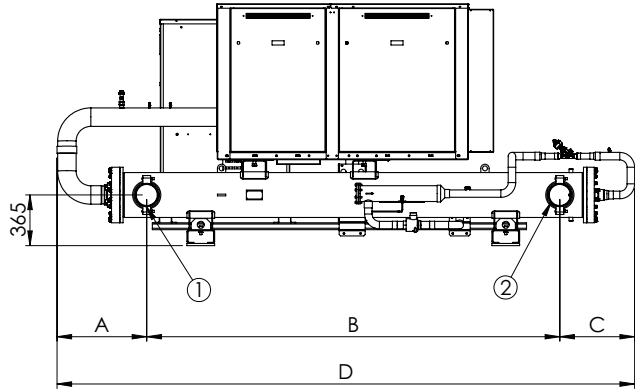
Size	A	B	C	D	dia 1-2	dia 3	dia 4
860	1.090	2.310	1.000	4.400	DN200(8")	1 5/8"	3 1/8"
920	1.090	2.310	1.000	4.400	DN200(8")	1 5/8"	3 1/8"
990	850	2.860	890	4.600	DN250(10")	1 5/8"	3 1/8"
1070	850	2.860	940	4.650	DN250(10")	2 1/8"	3 1/8"
1130	850	2.860	940	4.650	DN250(10")	2 1/8"	3 1/8"
1220	850	2.860	940	4.650	DN250(10")	2 1/8"	3 1/8"
1280	850	2.860	940	4.650	DN250(10")	2 1/8"	3 1/8"
1400	860	3.570	920	5.350	DN250(10")	2 1/8"	4 1/8"
1550	860	3.570	920	5.350	DN250(10")	2 1/8"	4 1/8"

Dimensions SYSCREW 440-770 WATER EVO RC S

Front view

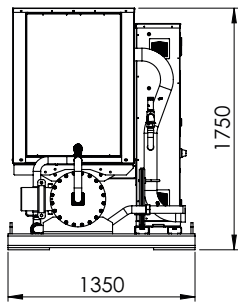


Back view

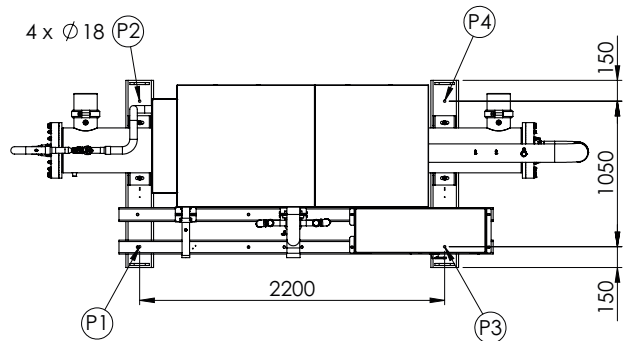


ELECTRICAL POWER SUPPLY
FROM ELECTRIC BOX BOTTOM

Side view



Top view



NOTES

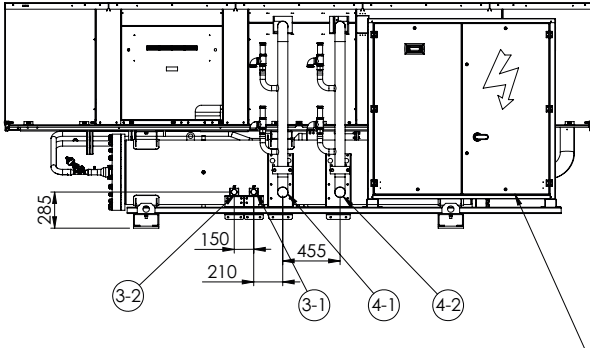
- 1 Evaporator water inlet victaulic connection
- 2 Evaporator water outlet victaulic connection
- 3 Liquid connection
- 4 Discharge connection

P1, P2, P3, P4 AVM position

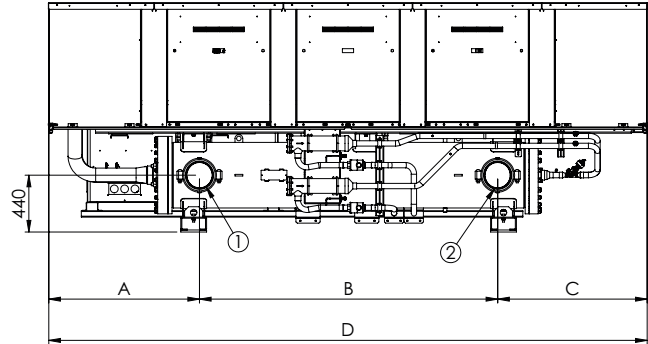
Size	A	B	C	D	dia 1-2	dia 3	dia 4
440-490	650	2.410	560	3.620	DN150(6")	1 5/8"	3 1/8"
570-630	680	2.980	550	4.210	DN150(6")	2 1/8"	3 5/8"
700-770	720	2.860	600	4.180	DN200(8")	2 1/8"	4 1/8"

Dimensions SYSCREW 860-1550 WATER EVO RC S

Front view

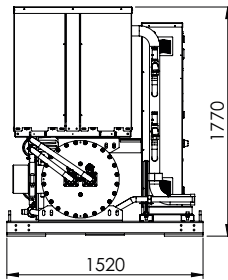


Back view

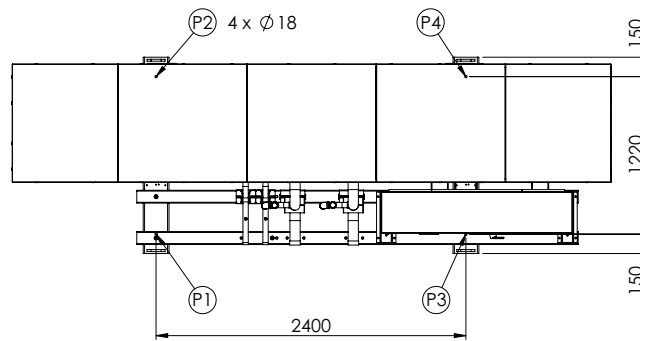


ELECTRICAL POWER SUPPLY
FROM ELECTRIC BOX BOTTOM

Side view



Top view



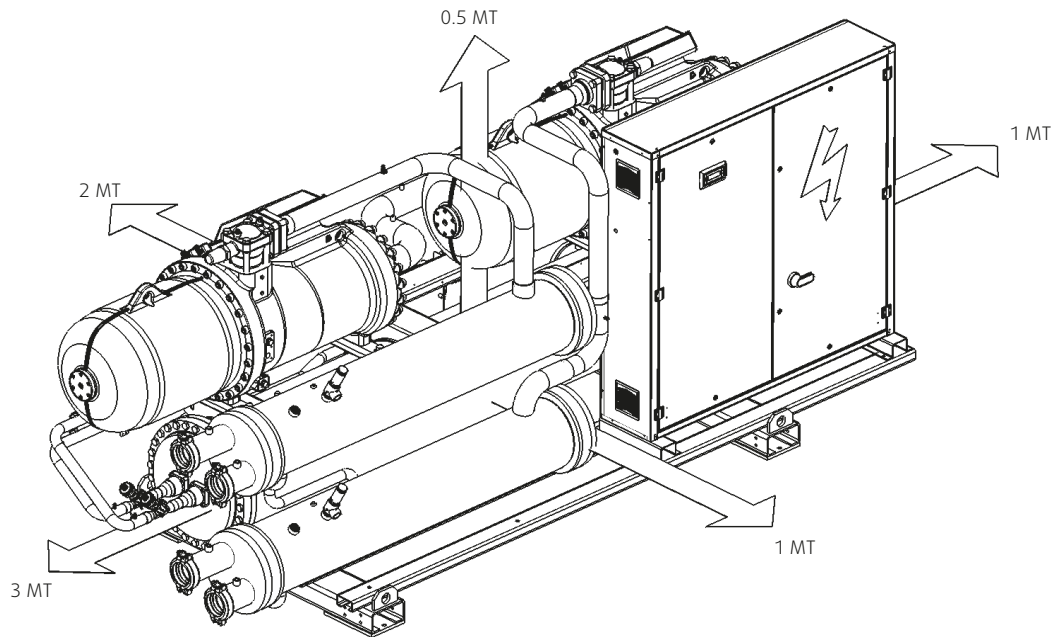
NOTES

- 1 Evaporator water inlet victaulic connection
- 2 Evaporator water outlet victaulic connection
- 3-1 Liquid connection circ 1
- 3-2 Liquid connection circ 2
- 4-1 Discharge connection circ 1
- 4-2 Discharge connection circ 2

P1, P2, P3, P4 AVM position

Size	A	B	C	D	dia 1-2	dia 3	dia 4
860	1.170	2.310	1.170	4.650	DN200(8")	1 5/8"	3 1/8"
920	1.170	2.310	1.170	4.650	DN200(8")	1 5/8"	3 1/8"
990	890	2.860	900	4.650	DN250(10")	1 5/8"	3 1/8"
1070	890	2.860	900	4.650	DN250(10")	2 1/8"	3 1/8"
1130	890	2.860	900	4.650	DN250(10")	2 1/8"	3 1/8"
1220	890	2.860	900	4.650	DN250(10")	2 1/8"	3 1/8"
1280	890	2.860	960	4.710	DN250(10")	2 1/8"	3 1/8"
1400	910	3.570	920	5.400	DN250(10")	2 1/8"	4 1/8"
1550	910	3.570	920	5.400	DN250(10")	2 1/8"	4 1/8"

Space Requirements



Systemair - May 2021 - EDM SYSCREW 440-1550 WATER EVO - S-5GB/05.21 - E34017
As part of our ongoing product improvement programme, our products are subject to change without prior notice. Non contractual photos.

Systemair srl
Via XXV Aprile, 29
20825 Barlassina (MB)
Italy

Tel. +39 0362 680 1
Fax +39 0362 680 693

info@systemair.it



www.systemair.com