

TECHNICAL SPECIFICATIONS

Fan heater K21

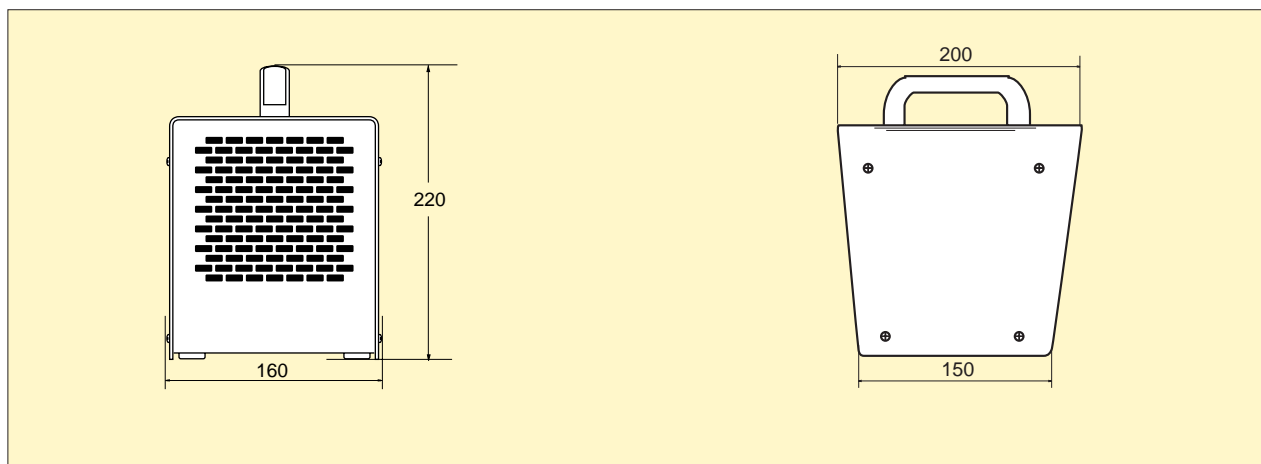
Type	Output stages [kW]	Air flow [m³/h]	Sound level*1 [dB(A)]	Δt*2 [°C]	Voltage [V]	Amperage [A]	HxWxD [mm]	Weight [kg]
K21	0/1/2	90	43	62	230V~	8.9	220x160x200	2.5

*1) Conditions: 5 meters distance to the unit.

*2) Δt = temperature rise of passing air at full heat output.

Protection class K21: (IP21), drip-proof design.
Approved by SEMKO and CE compliant.

DIMENSIONS



WIRING DIAGRAM K21

Internal wiring diagram

